

**ESWINDOWS**

The Power of **Quality**

# Hurricane Windows

**Grove at Grand Bay**  
Coconut Grove  
FL, USA

Windows  
Doors  
Storefronts  
Curtain Walls  
Railings



The first part of the document discusses the importance of maintaining accurate records of all transactions. It emphasizes that every sale, purchase, and payment must be properly documented to ensure the integrity of the financial statements. This includes recording the date, amount, and purpose of each transaction.

Next, the document outlines the process of reconciling bank statements with the company's accounting records. This involves comparing the bank's record of transactions with the company's ledger to identify any discrepancies. Common reasons for discrepancies include timing differences, such as deposits in transit or outstanding checks, and errors in recording.

The document also addresses the need for regular audits to verify the accuracy of the financial data. Internal audits are conducted by the company's management, while external audits are performed by independent accountants. Both types of audits are essential for ensuring that the financial statements are free from material misstatements and are presented fairly.

Finally, the document provides guidance on how to prepare the financial statements. It details the steps for calculating net income, determining the cost of goods sold, and preparing the balance sheet and statement of cash flows. The document stresses the importance of following generally accepted accounting principles (GAAP) to ensure that the financial statements are consistent and comparable to those of other companies in the industry.

Windows	Doors	Storefronts
<b>Single-Hung Windows</b>	<b>French Doors</b>	<b>Storefronts</b>
ES-1000 7	ES-3000 24	ES-8000 36
ES-1000WW 9	ES-9000 26	ES-8000T 38
		ES-9500 40
<b>Fixed Windows</b>	<b>Sliding Glass Doors</b>	<b>Window Walls</b>
ES-1500 11	ES-4000 28	WW-5250 42
ES-5100 13	ES-6000 30	ES-7000 45
	ES-6500 33	ES-WW1032 47
		ES-WW8832 49
<b>Sliding Glass Window</b>		
ES-2000 15		
<b>Casement / Project-out Windows</b>		
ES-5000 17		
ES-5500 19		
ES-P7531 21		
Curtain Walls	Railings	
ES-CS1325 52	ES-RL3030 63	
ES-7525 54		
ES-CW7000 56		
HR-2600 58		
HC-200 60		



# WINDOWS







The ES-1000 is a 2 5/16" impact rated, single-hung window that easily adapts to any design specification, satisfying the most demanding construction and architectural standards for security, strength and durability. ES-1000 is suitable for both residential and commercial applications.

## System Description

- Large missile and small missile impact.
- 2 5/16" Frame depth.
- Designed for multiple laminated glass options.
- Water infiltration: 12 psf.
- Design load: +80/-90 psf large missile impact, +100/-140 psf small missile impact.
- Maximum size: 53 1/8" x 74 1/4".
- U-value: 0,78 (with 1/8 Clear – 0,90 PVB – 1/8 Low-E).

## Features

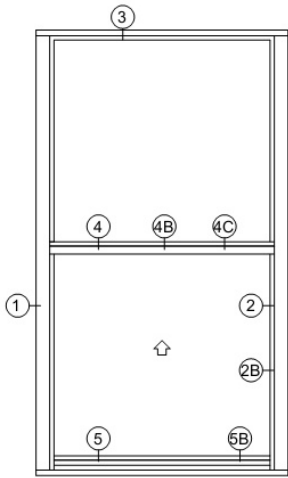
- Block and tackle or ultra lift balances.
- Bottom spring latch or sweep lock options.
- Flange frame for masonry and wood construction or flush frame for concrete openings.
- Fully weather-stripped.
- Anodized, painted or wood grain finishes available.
- Screens available in aluminum frame and fiberglass mesh.
- Surface applied ogee or flat muntins.

## Details

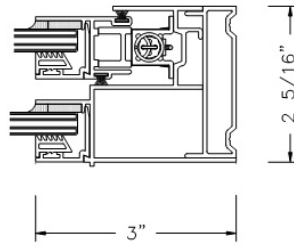




**Elevations**

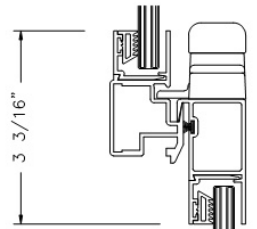


**Sweeplock Optional**

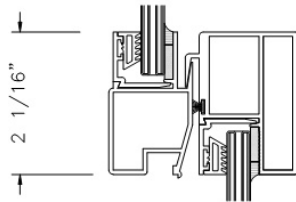


2B FLUSH FRAME ADAPTER

**Heavy Duty Optional**

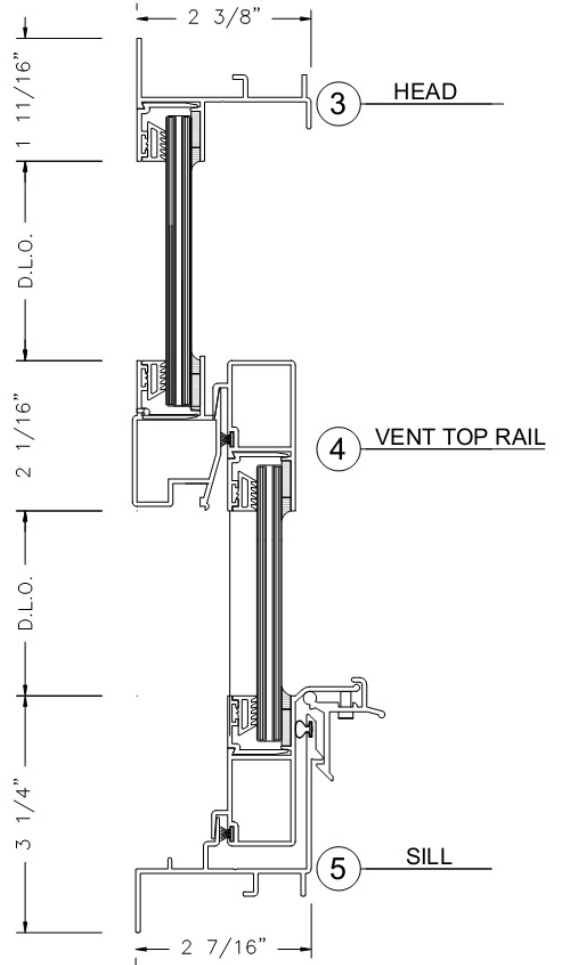


4B VENT TOP RAIL (SWEEPLOCK)

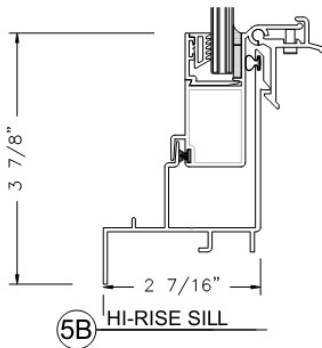


4C VENT TOP RAIL (HEAVY DUTY)

**Vertical Section**

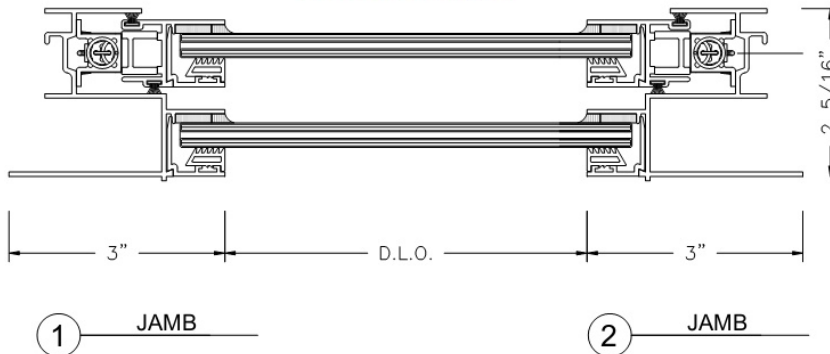


**Sweeplock Optional**



5B HI-RISE SILL

**Horizontal Section**





The ES-1000WW is a 3 1/4" impact rated, single-hung window system designed with complementary mullions to cover large glazed areas.

## System Description

- Large missile impact and small missile impact.
- 3 1/4" Frame depth.
- Designed for multiple laminated glass options.
- Water infiltration: 15 psf.
- Design load: +100/-115 psf large missile impact, +100/140 psf small missile impact.
- Maximum size: 48" x 108".
- U-value: 0,78 (with 1/8 Clear – 0,90 PVB – 1/8 Low-E).

## Features

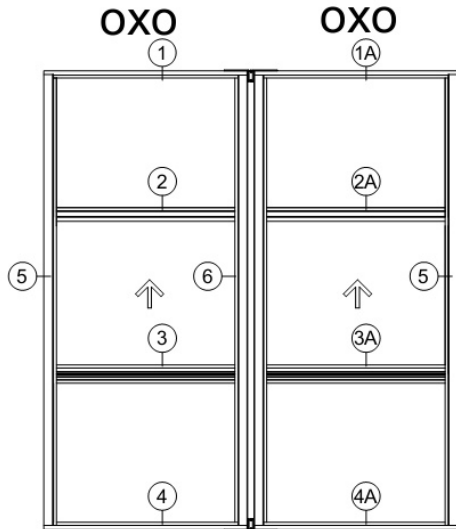
- Block and tackle or ultra-lift balances.
- Bottom spring latch or sweep lock options.
- Fully weather-stripped.
- Anodized, painted or wood grain finishes available.
- Screens available in aluminum frame and fiberglass mesh.
- Surface applied ogee or flat muntins.

## Details

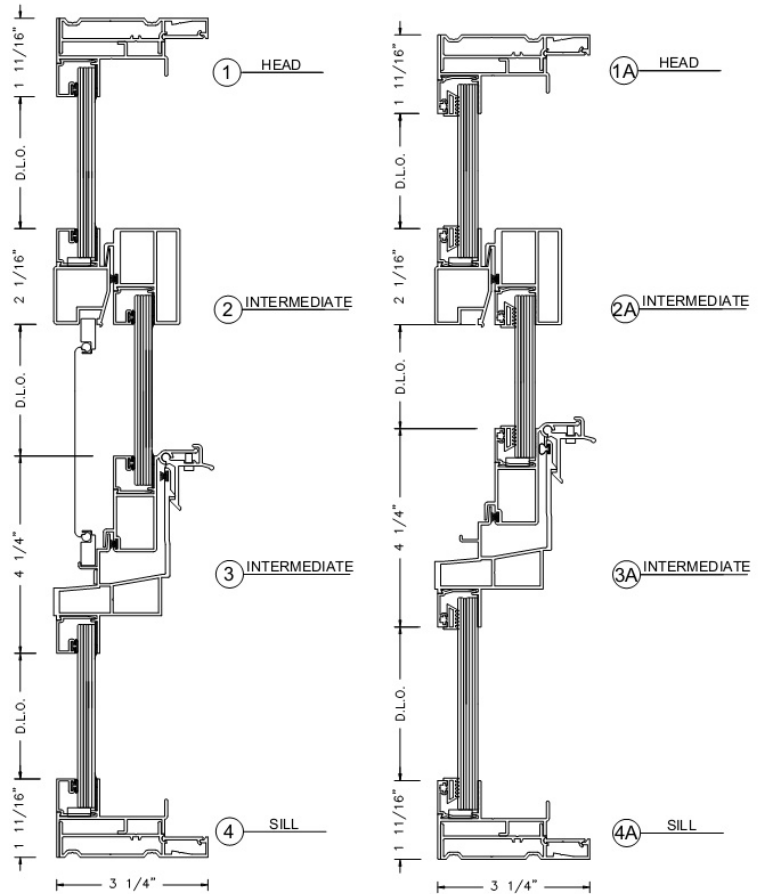




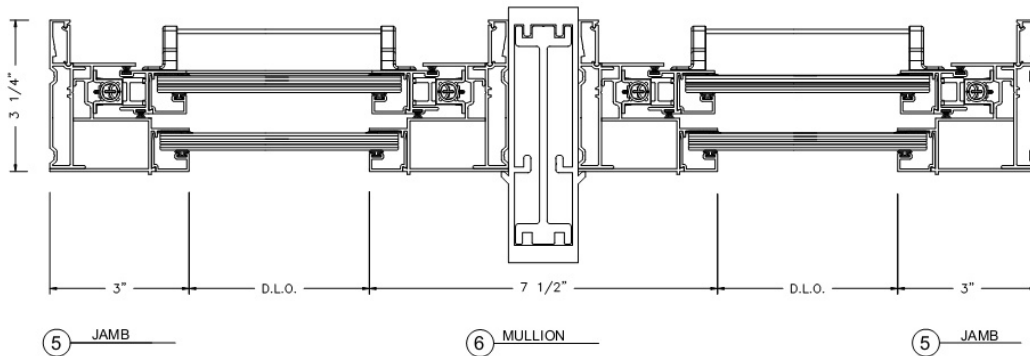
## Elevations



## Vertical Section



## Horizontal Section





The ES-1500 is an impact rated, fixed window available in a variety of shapes, allowing a wide range of applications. This window is used to bring light to places with difficult accessibility.

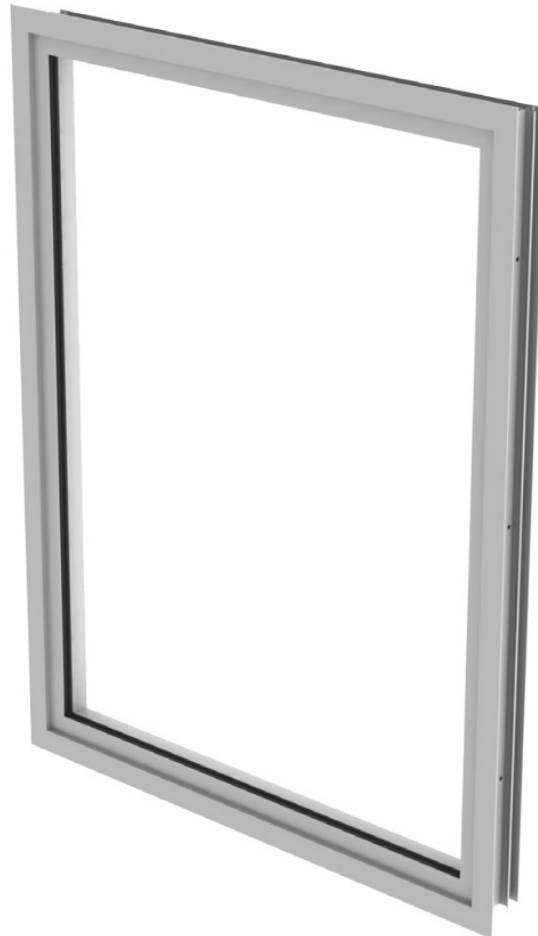
## System Description

- Large missile and small missile impact.
- 2 5/16" Frame depth.
- Designed for multiple laminated glass options.
- Water infiltration: 15 psf.
- Design load: +70/-80 psf large missile impact, +100/-140 psf small missile impact.
- Maximum size: 48" x 90" large missile impact, 53 1/8" x 82" small missile impact.
- U-value: 0,71 (with 5/32 Gray – 0,90 PVB – 1/4 Low-E; or 3/16 Gray – 0,90 PVB – 3/16 Low-E).

## Features

- Flange frame for masonry and wood construction or flush frame for concrete openings.
- Architectural shapes available.
- Anodized, painted or wood grain finishes available.
- Surface applied ogee or flat muntins.
- Minimum radius 12"

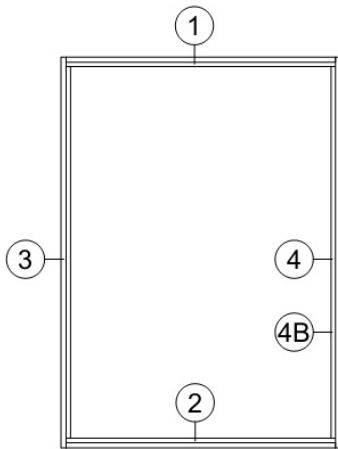
## Details



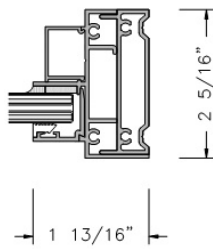




### Elevations

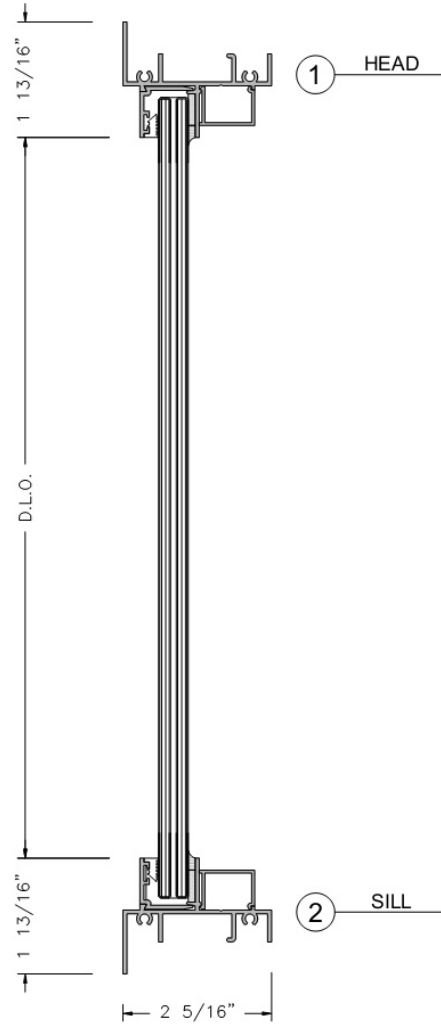


### Flush Frame Adapter

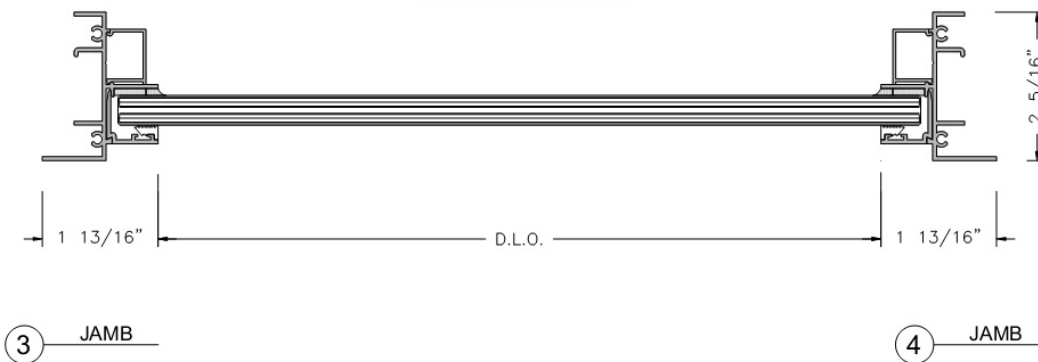


4B FLUSH FRAME

### Vertical Section



### Horizontal Section





The ES-5100 is a 2 1/8" impact rated, fixed window designed to match our casement window ES-5000, and awning window ES-5500.

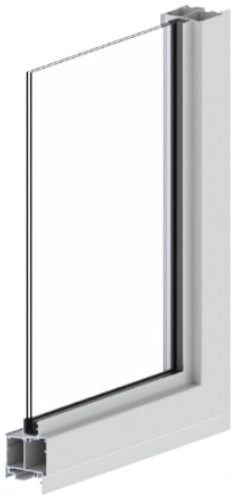
## System Description

- Large missile impact.
- 2 1/8" Frame depth.
- Designed for multiple laminated and insulated-laminated glass options.
- Water infiltration: 12,80 psf.
- Design load: +90/-90 psf.
- Maximum size: 53 1/8" x 74 1/4".
- U-value: 0,60 (with 5/32 SB60 – 1/4 Air – 1/8 Clear - 0,90 PVB 5/32 Clear).

## Features

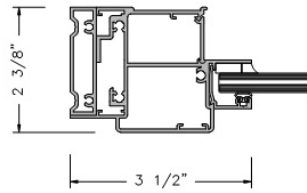
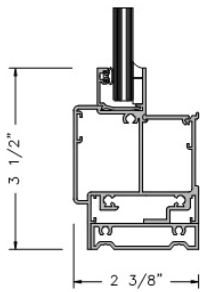
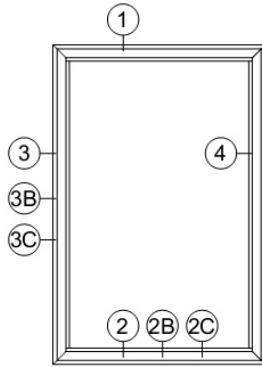
- Flange frame for masonry and wood construction or flush frame for concrete openings.
- Anodized, painted or wood grain finishes available.
- Surface applied ogee or flat muntins.

## Details



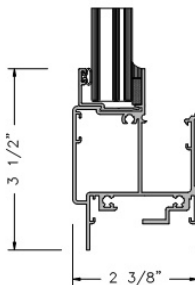
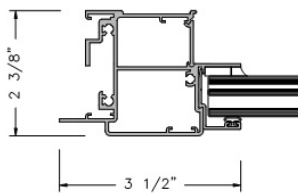


## Elevations



3B JAMB  
FLUSH FRAME ADAPTER

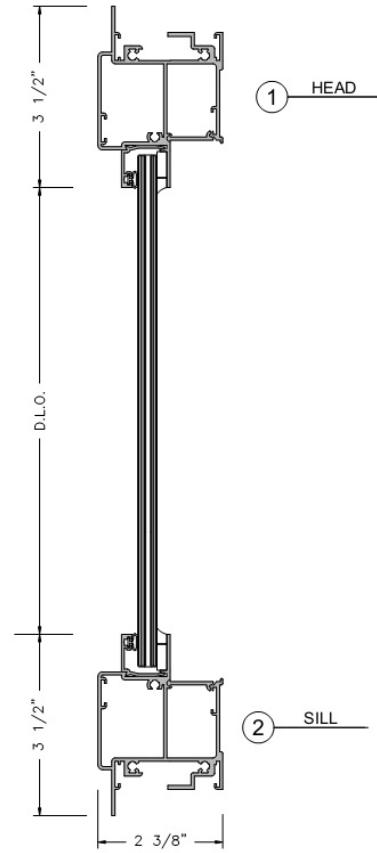
2B SILL  
FLUSH FRAME ADAPTER



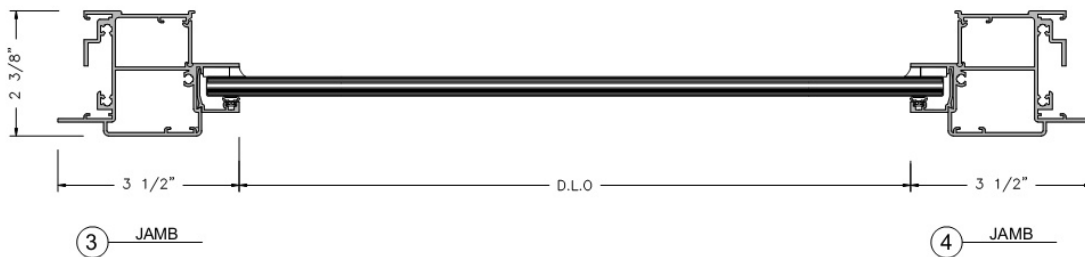
3C JAMB  
INSULATED GLASS

2C SILL  
INSULATED GLASS

## Vertical Section



## Horizontal Section





The ES-2000 is a 2 5/16" impact grade, horizontal, sliding window. This product ensures an easy and smooth opening allowing maximum ventilation. ES-2000 can be used on a wide variety of applications.

## System Description

- Large missile and small missile impact.
- 2 5/16" Frame depth.
- Configurations: XO, OX or XOX.
- Designed for multiple laminated glass options.
- Water infiltration: 12,4 psf large missile impact, 11,0 psf small missile impact.
- Design load: +80/-90 psf large missile impact, +82/-108 psf XO / OX small missile impact, +82/-82 psf XOX small missile impact.
- Maximum size: 111" x 63" XOX.
- U-value: 0,81 (with 1/8 - 0,90 PVB - 1/8 Energy Advantage; or 5/32 - 0,90 PVB - 1/8 Low-E).

## Features

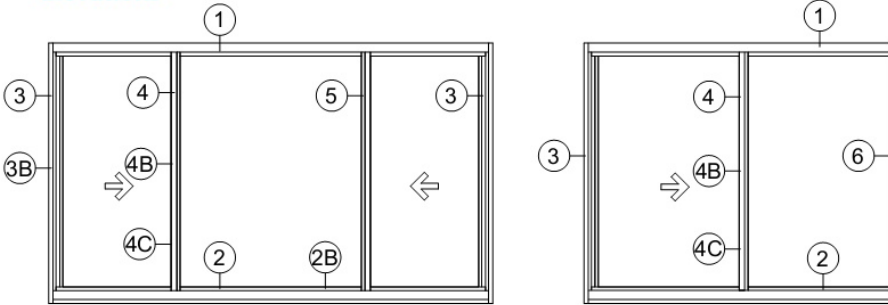
- Polyamide rollers with needle bearings.
- Spring latch at jamb or sweep lock options.
- Flange frame for masonry and wood construction or flush frame for concrete openings.
- Fully weather-stripped.
- Anodized, painted or wood grain finishes available.
- Screens available in aluminum frame and fiberglass mesh.
- Surface applied ogee or flat muntins.

## Details

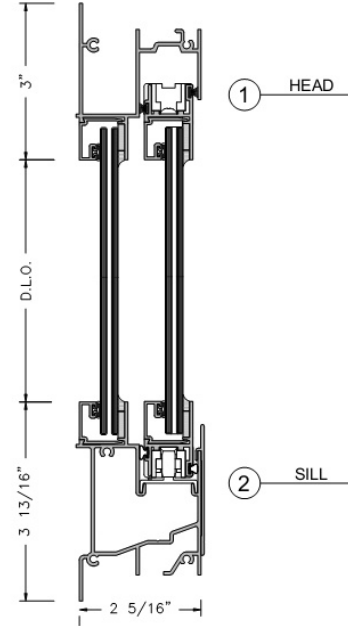




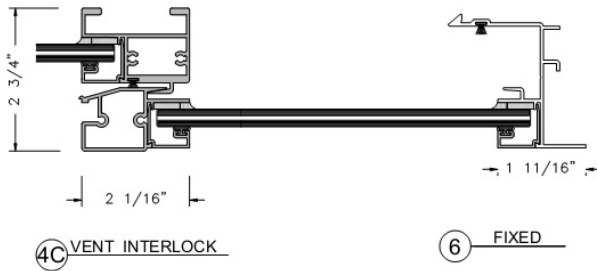
### Elevations



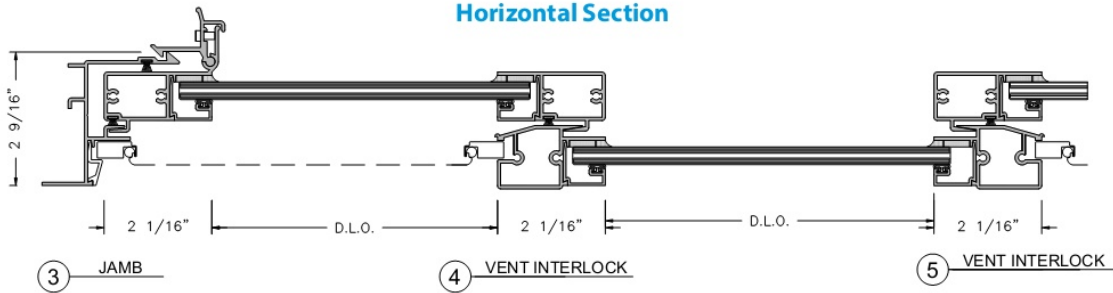
### Vertical Section



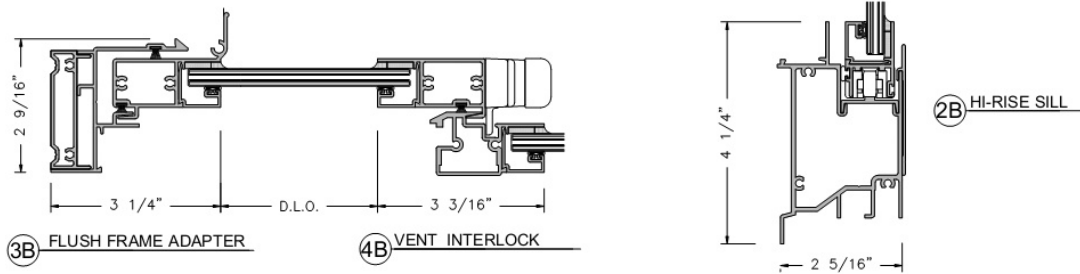
### Optional Heavy Duty



### Horizontal Section



### Sweep Lock Optional







The ES-5000 is a 2 1/8" impact rated, casement window featuring a rotating handle for an effortless operation. It is available in multiple glazing options providing flexibility in design.

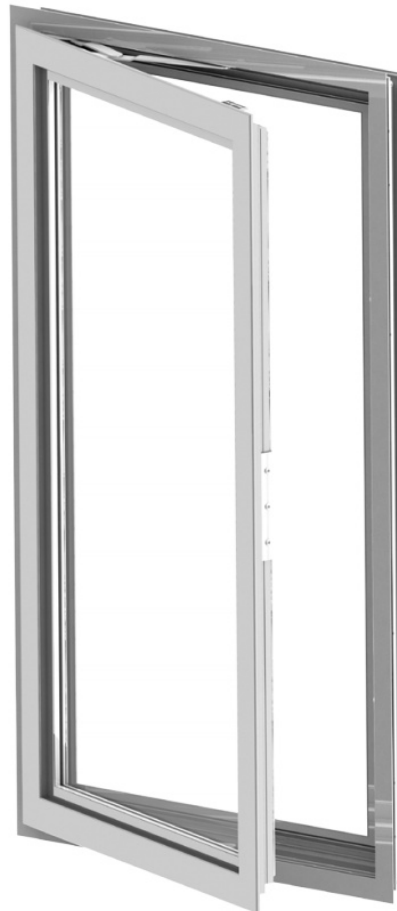
## System Description

- Large missile impact.
- 2 1/8" Frame depth.
- Configurations: X, XX.
- Designed for multiple laminated and insulated glass options.
- Water infiltration: 13.5 psf.
- Design load: +90/-90 psf.
- Maximum size: 37" x 74 1/4" X; 74" x 74 1/4" XX.
- U-value: 0,70 (with 5/32 SB70XL – 1/4 Air – 1/8 Clear – 0,90 PVB – 5/32 Clear).

## Features

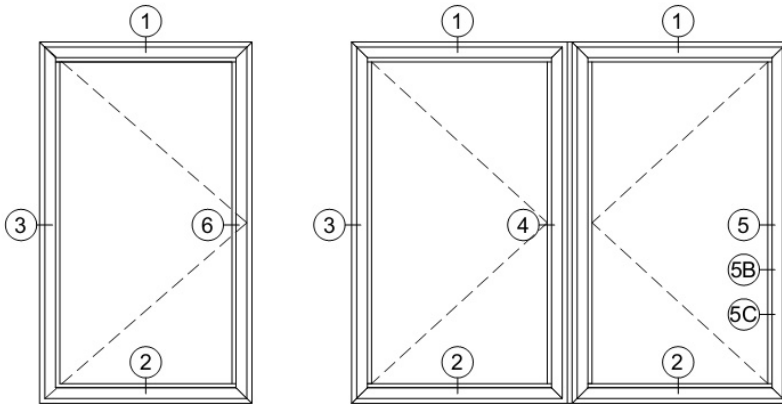
- Single arm operator and multi point lock.
- Heavy duty stainless steel four bar hinge.
- Flange frame for masonry and wood construction or flush frame for concrete openings.
- Fully weather-stripped.
- Anodized, painted or wood grain finishes available.
- Screens available in aluminum frame and fiberglass mesh.
- Surface applied ogee or flat muntins.
- Folding crank handle.

## Details

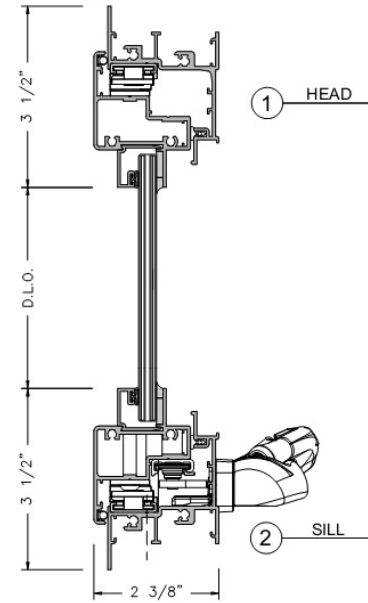




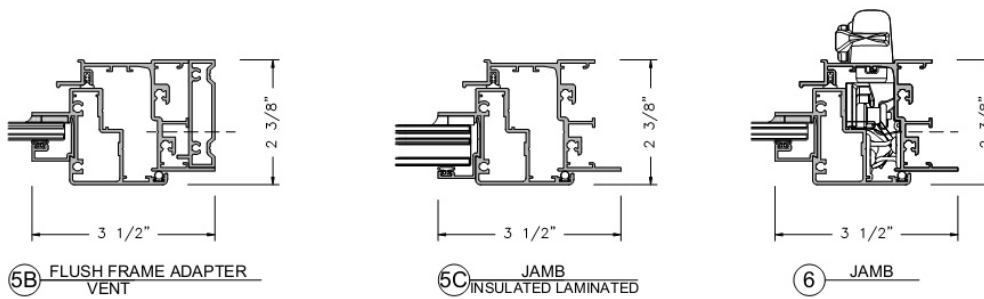
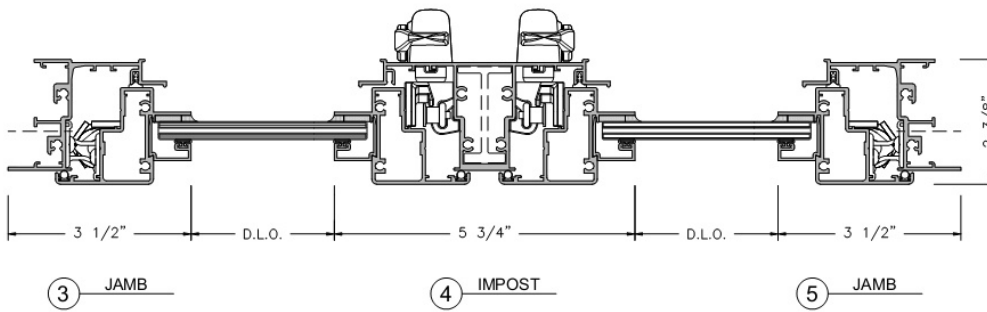
**Elevations**



**Vertical Section**



**Horizontal Section**





The ES-5500 is a 2 1/8" impact rated, awning window featuring a rotating handle for an effortless operation. It is available in multiple glazing options providing flexibility in design.

## System Description

- Large missile impact / Small missile impact.
- 2 1/8" Frame depth.
- Configuration: X.
- Designed for multiple laminated and insulated glass options.
- Water infiltration: 12.8 psf.
- Design load: +90/-90 psf.
- U-value: 0,70 (5/32 SB70XL - 1/4 Air - 1/8 Clear - 0,90 PVB - 5/32 Clear).

## Features

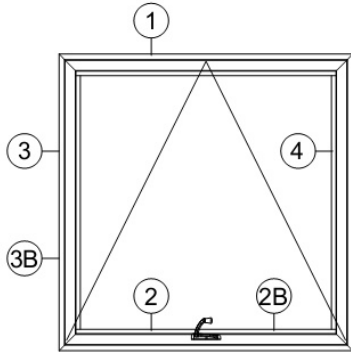
- Single arm operator and multi-point lock.
- Heavy duty stainless steel four bar hinge.
- Flange frame for masonry and wood construction or flush frame for concrete openings.
- Fully weather-stripped.
- Anodized, painted or wood grain finishes available.
- Screens available in aluminum frame and fiberglass mesh.
- Surface applied ogee or flat muntins.
- Folding crank handle.

## Details

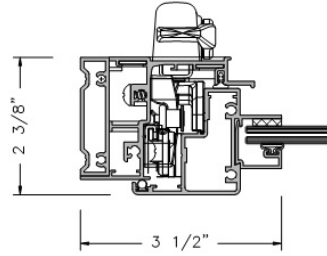




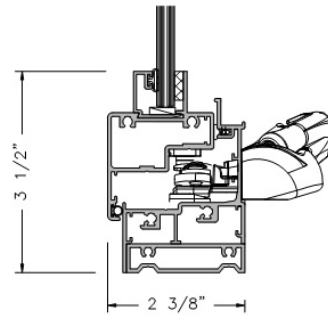
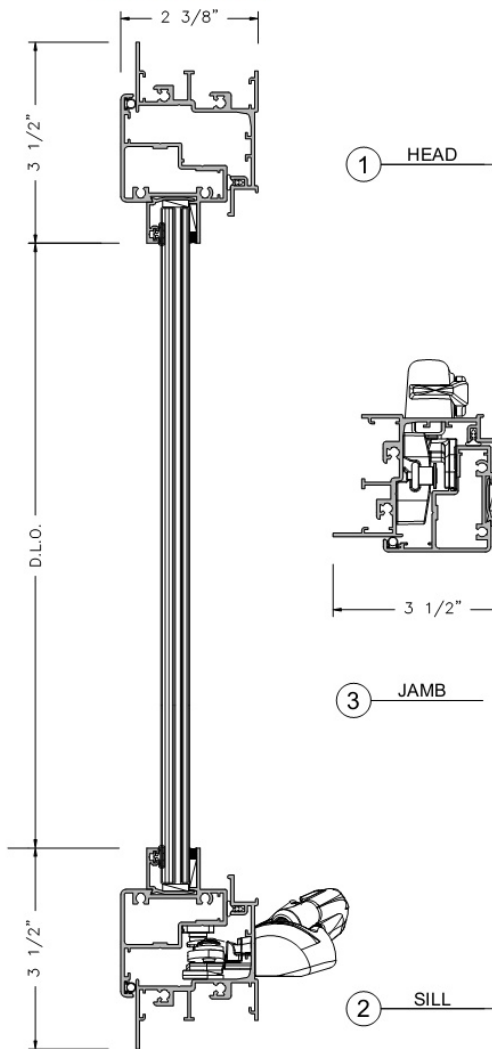
**Elevations**



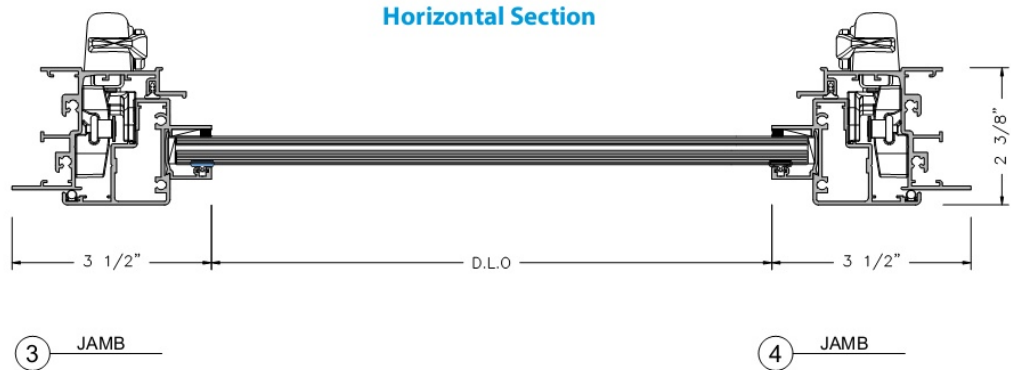
**Flush Frame Adapter**



**Vertical Section**



**Horizontal Section**





The ES-P7531 system is a thermally broken, impact rated, zero-sightline vent, designed for incorporating into window walls and curtain walls. This product is available in casement and awning configurations.

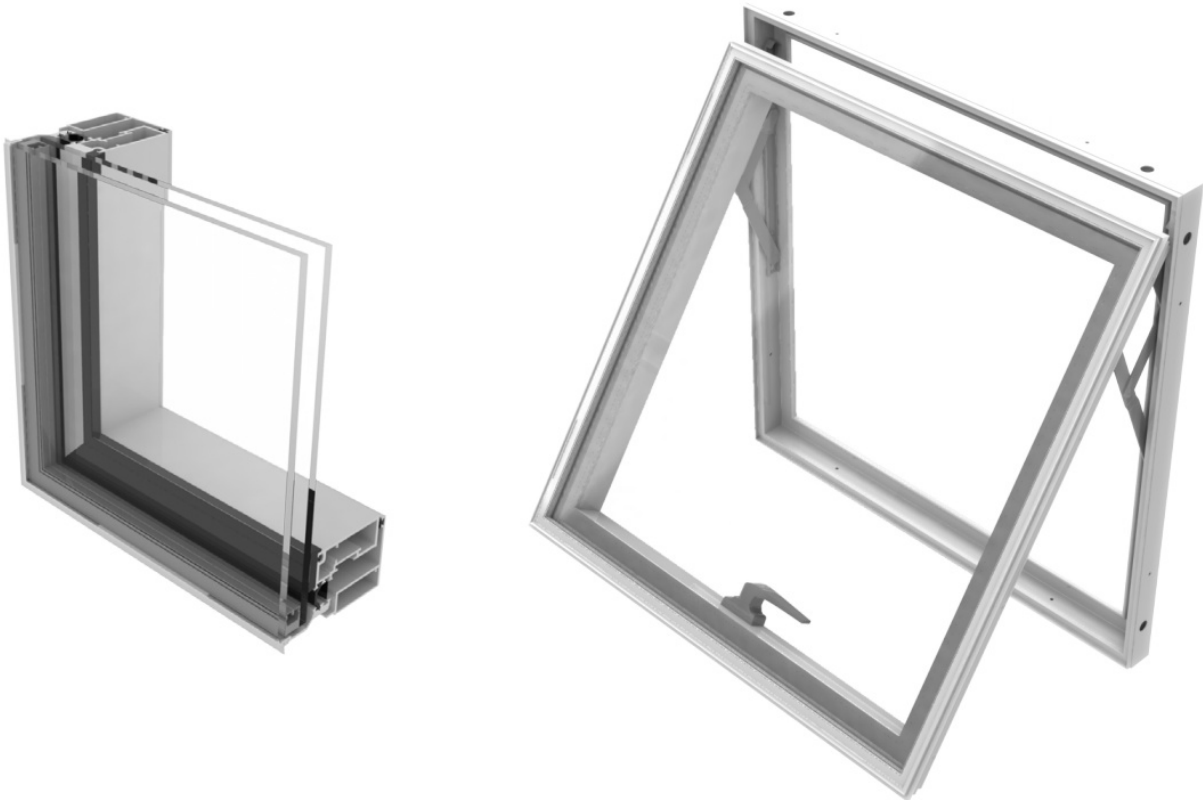
## System Description

- Large missile impact.
- Frame depth: 3 3/4".
- Frame sightline: 2 3/16".
- Designed for 1" insulated glass, (non impact) 9/16" laminated.
- Design load: +/- 70 psf.
- Water infiltration: 15 psf.
- Air infiltration: 0.5 L/S/m2 (0,10 cfm/ft2).
- AAMA class: AW-70.
- Maximum Size:  
60" x 35" Awning  
30" x 75" Casement.

## Features

- Heavy duty stainless steel four bar hinge.
- Fully weather-stripped.
- Anodized, painted or wood grain finishes available.

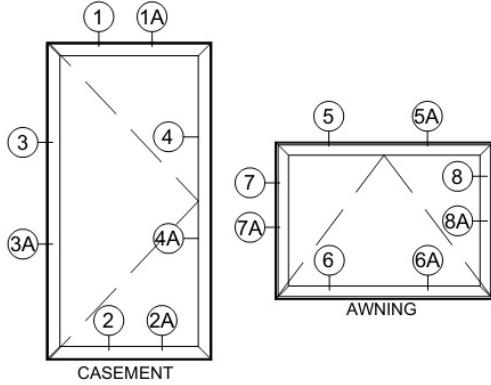
## Details





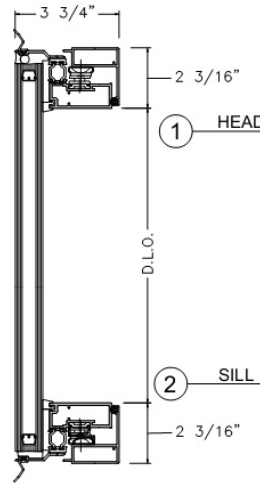


### Elevations

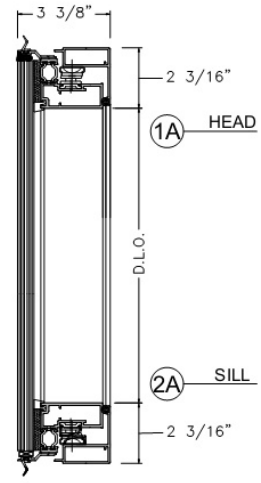


### Vertical Section Casement

#### Insulated

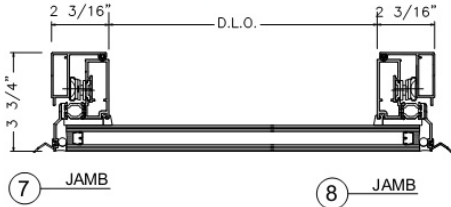


#### Laminated

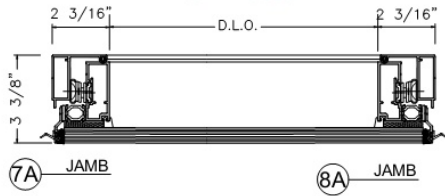


### Horizontal Section Awning

#### Insulated

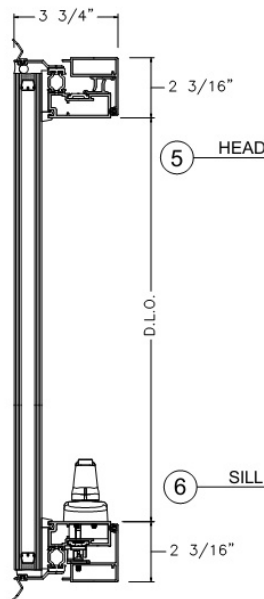


#### Laminated

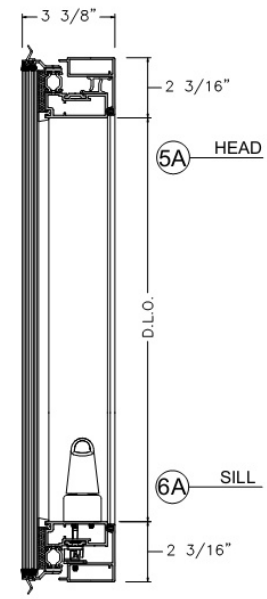


### Vertical Section Awning

#### Insulated

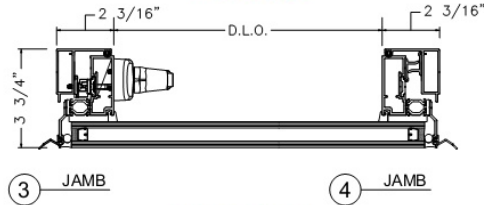


#### Laminated

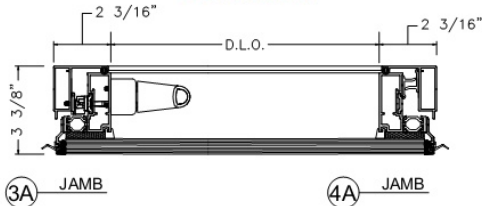


### Horizontal Section Casement

#### Insulated



#### Laminated



# DOORS





The ES-3000 is an impact rated, French door. This product is available with integrated sidelites. Designed to meet the most stringent standards, this secure and durable door can be used on a variety of applications, most commonly on residential condos.

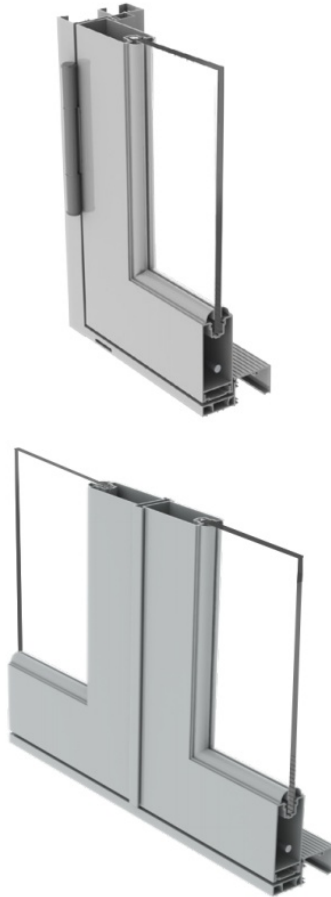
## System Description

- Large missile impact.
- Out-swing motion.
- 1 1/2" x 4" frame, 4 x 1 3/4" stile.
- Configurations: X, XX, O.
- Tie rod construction.
- Extruded aluminum butt hinges or heavy duty steel hinges.
- Designed for laminated glass between 5/16" and 7/16".
- Water infiltration: 15 psf.
- Design load: +100/-120 psf X; +90/-90 psf XX or O.
- Maximum size: 76" x 96" XX.
- U-value: 0,84 (with 1/8 Clear - 0,90 PVB - 1/8 Low-E; or 1/4 Gray - 0,90 SGP - 1/8 Low-E).

## Features

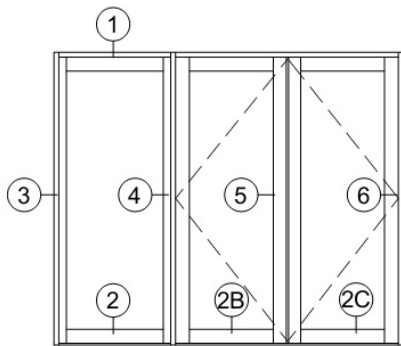
- Wide variety of hardware options including flush bolts, three point lock, heavy duty hinges, lever handles, dead bolts.
- High bottom rail and threshold high optional.
- Fully weather-stripped.
- Anodized, painted or wood grain finishes available.
- Surface applied ogee or flat muntins.
- Entrance Door Muntin designs.
- Self mating sidelite with no additional mullion.

## Details

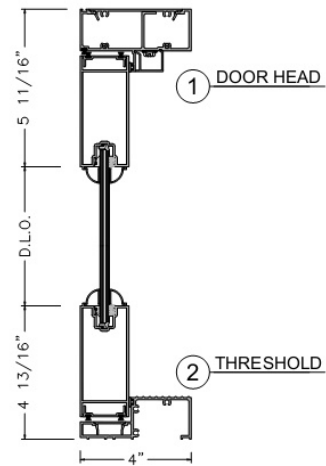




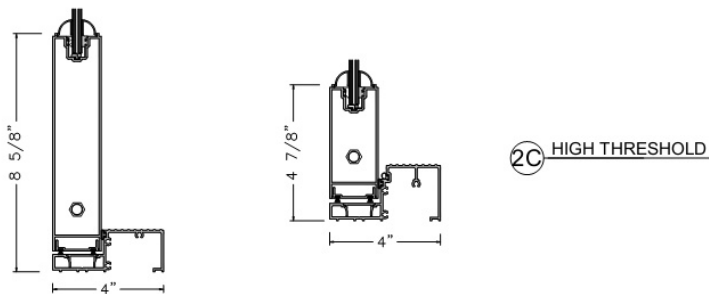
### Elevations



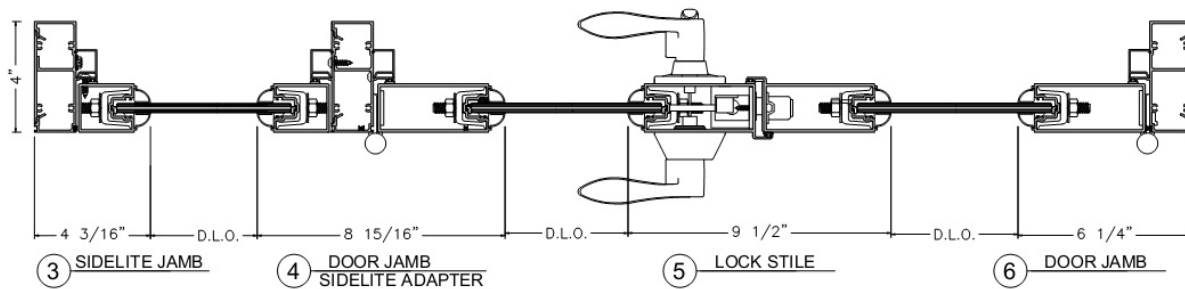
### Vertical Section



### Optional Threshold



### Horizontal Section





The ES-9000 is an impact rated entrance door, due to its durability and high security standards, it's ideal for high traffic areas such as office and commercial buildings. ES-9000 is compatible with ES-8000, ES-7000, ES-7525 and ES-9500 systems.

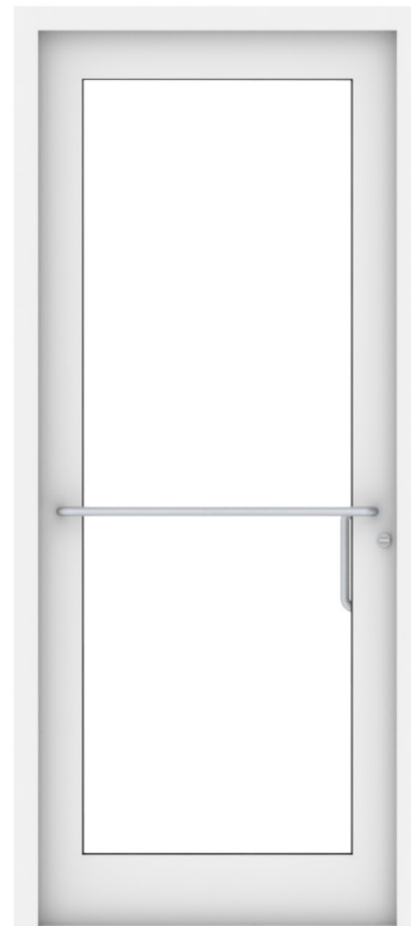
## System Description

- Large missile impact.
- Frame depth: 5".
- 1 3/4" or 2 1/2" frame sightline.
- Out swing motion.
- Available with butt hinges or offset pivots.
- Designed for 9/16" laminated and 1 1/16" insulated-laminated glass.
- Design load: +120/-120 psf Single door; +90/-90 psf Double door.
- Water infiltration: 18 psf.
- Maximum size: 47" x 110 1/2" X; 89" x 110 1/2" XX.
- U-value: 0,77 (with 1/4 SB70XL - 3/8 Air - 3/16 Clear - 0,90 PVB - 3/16 Clear).

## Features

- High and ADA thresholds.
- Corners are reinforced with welded aluminum brackets.
- Pre-assembled door leaf.
- Fully weather-stripped.
- Stainless steel hardware.
- Variety of accessories including three point lock, panic devices, overhead concealed closer, push-pull handle, etc.
- Anodized, painted or wood grain finishes available.

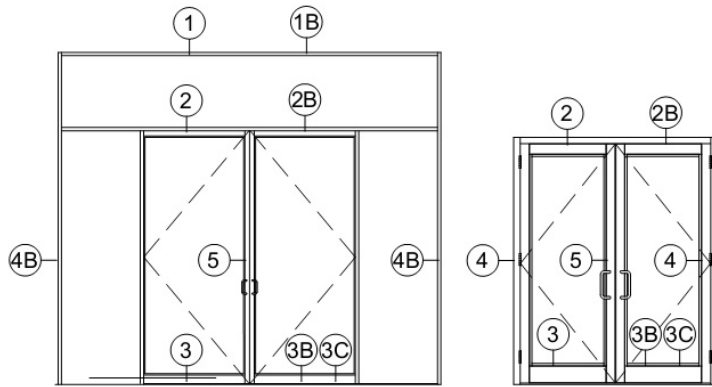
## Details



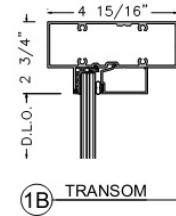




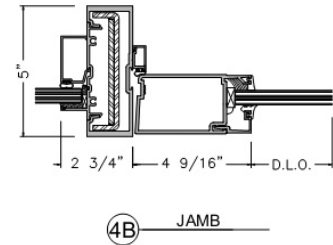
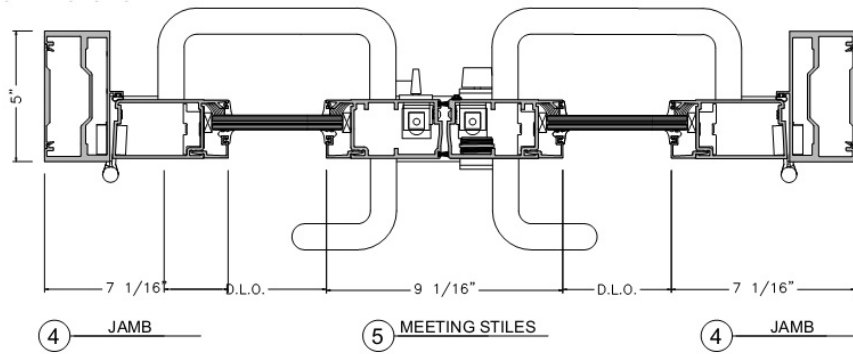
## Elevations



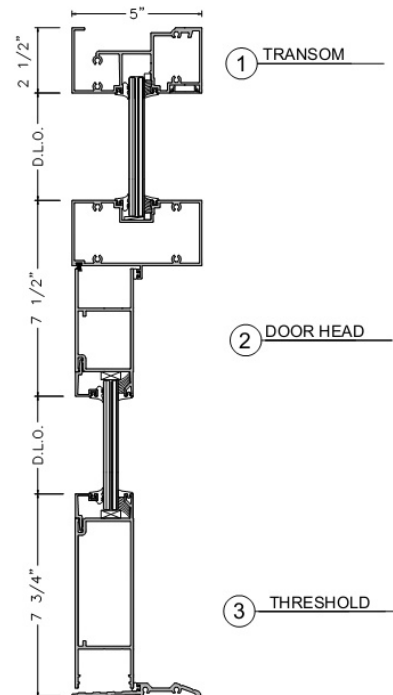
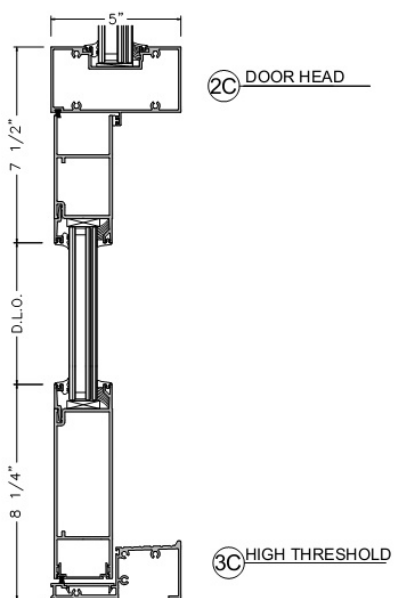
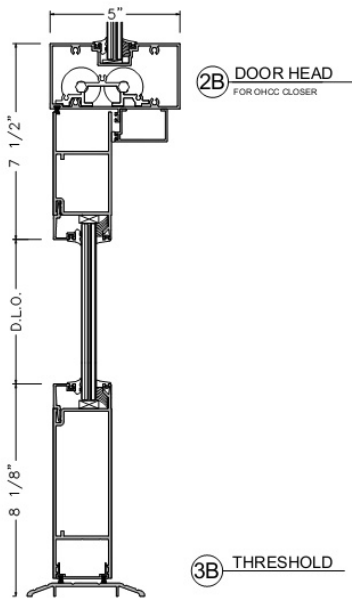
## Optional ES-9000



## Horizontal Section



## Vertical Section





The ES-4000 is a 4 3/16" impact rated, sliding glass door. This product meets the most stringent specifications and its design is attractive for a wide range of applications.

## System Description

- Large missile impact.
- 4 3/16" Frame depth.
- Designed for 7/16" laminated glass.
- Configurations : XO, OX, XX, OXO, XXX, OXXO, OXXX, XXXX.
- Water infiltration: 12 psf.
- Design load: +70/-80 psf; +80/-103 psf (XO, OX only).
- Maximum size: 192" X 96" OXXO.
- U-value: 0,74 (with 3/16 Clear – 0,90 SGP – 3/16 Low-E).

## Features

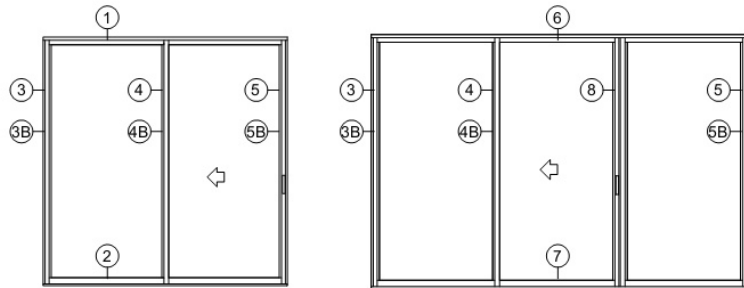
- Adjustable tandem steel or polyamide rollers.
- Fully weather-stripped.
- Anodized, painted or wood grain finishes available.
- Screens available in aluminum frame and fiberglass mesh.
- Sill riser available height: 2,5".
- Minimum width to meet 32" clearance 75 3/8".

## Details

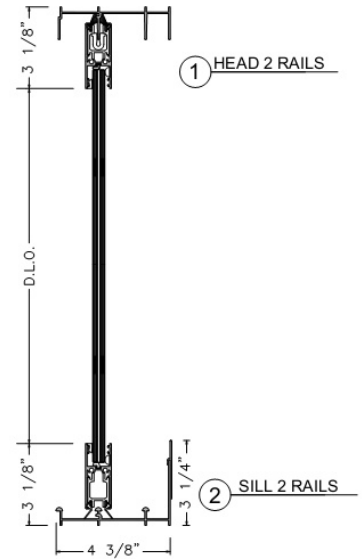




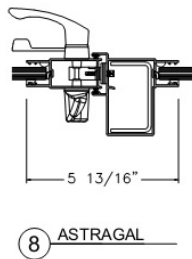
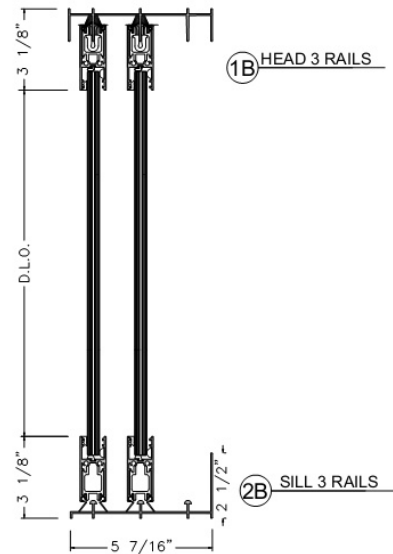
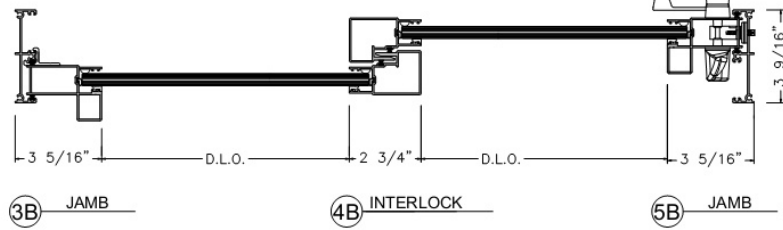
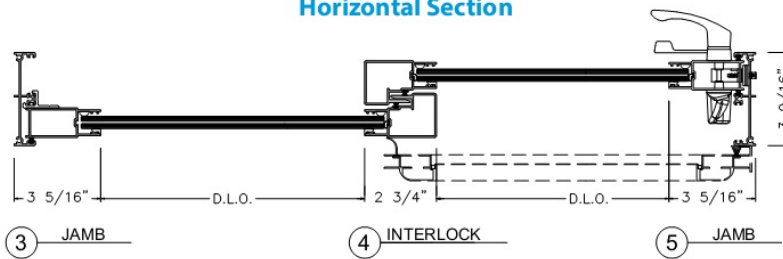
### Elevations



### Vertical Section



### Horizontal Section





The ES-6000 is a 6 3/16" impact rated, heavy duty sliding glass door. Ideal for mid and high rises, it provides a unique architectural design that allows appropriate lighting with high security standards.

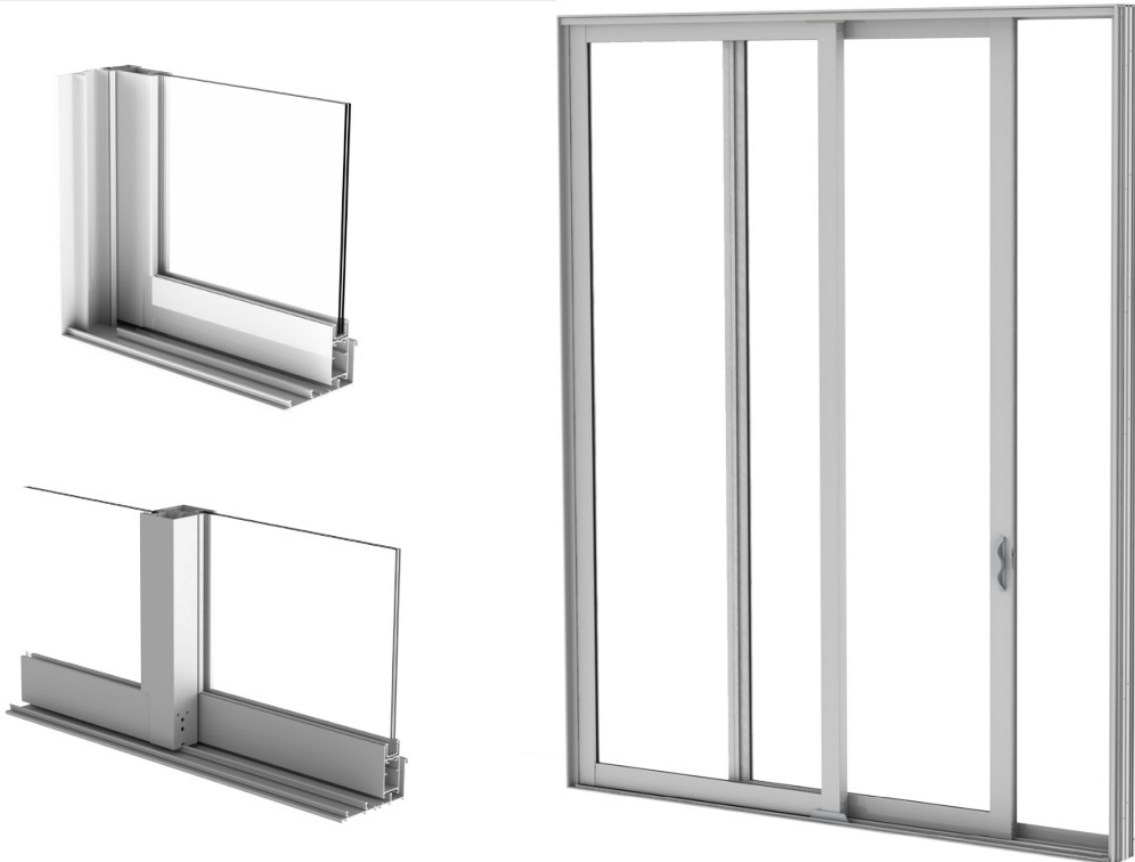
## System Description

- Large + small missile impact.
- Frame depth: 6 1/8".
- Sill height: 3 1/2".
- Designed for 9/16" laminated glass and 1 1/16" insulated-laminated glass.
- Configurations: OX, XO, XX, OXO, XXX, XXXO, XXXX, OXXO.
- Design load: +85/-145 psf large missile impact; +85/-140 psf small missile impact.
- Water infiltration: 13,5 psf.
- (standar) +120/-125 (ultra)
- Maximum size 192" x 120" OXXO. (standar) 191 1/2" x 144" OXXO (ultra).
- U-value: 0,60 (with 3/16 SB70XL - 3/8 Air - 1/4 Clear - 0,90 SGP - 1/4 Clear).

## Features

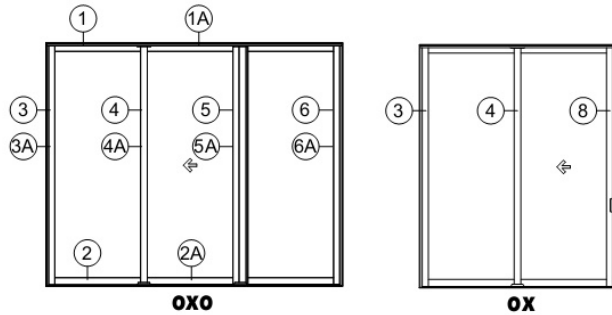
- Heavy duty adjustable tandem polyamide ball bearing rollers.
- Fully weather-stripped.
- Anodized, painted or wood grain finishes available.
- Screens available in aluminum frame and fiberglass mesh.
- Fastener covers.
- Sill riser option height: 4,015".
- Clearance for 32" is 82 5/8".

## Details



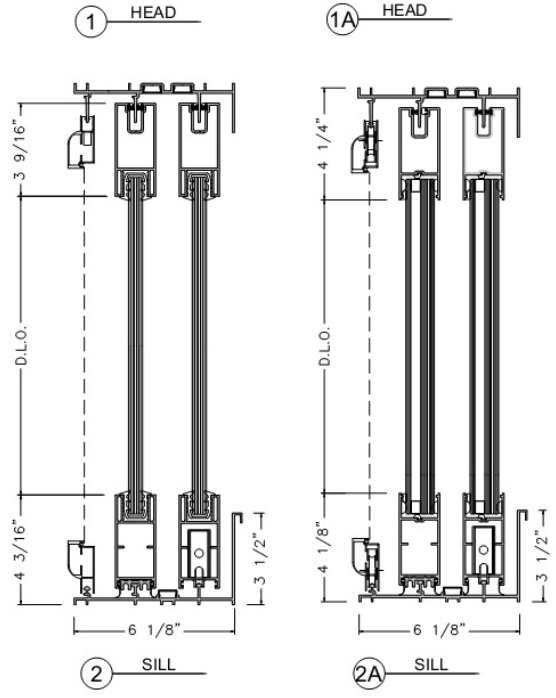


**Elevations**

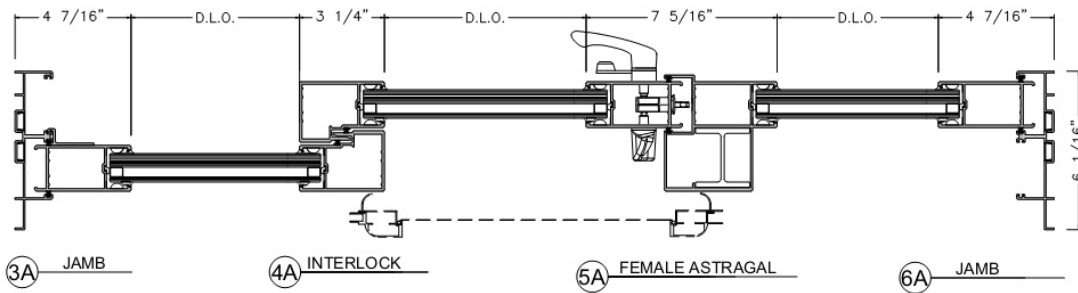
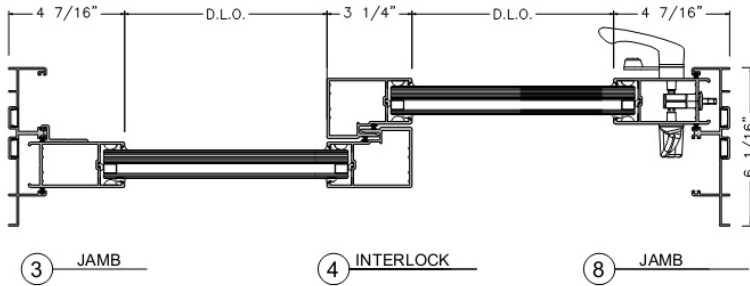


**Vertical Section Laminated**

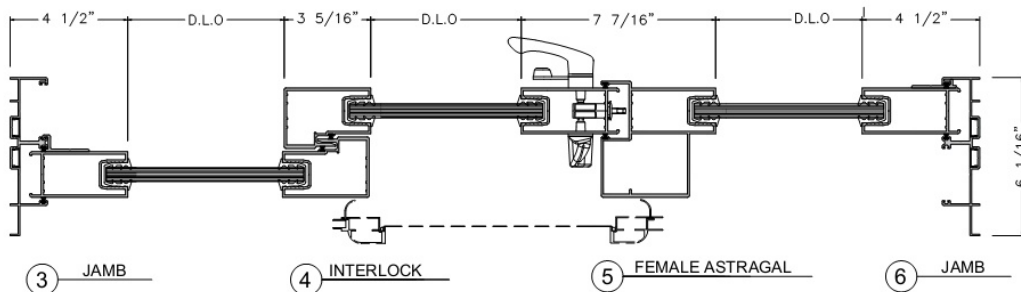
**Vertical Section Insulated**



**Horizontal Section Insulated**

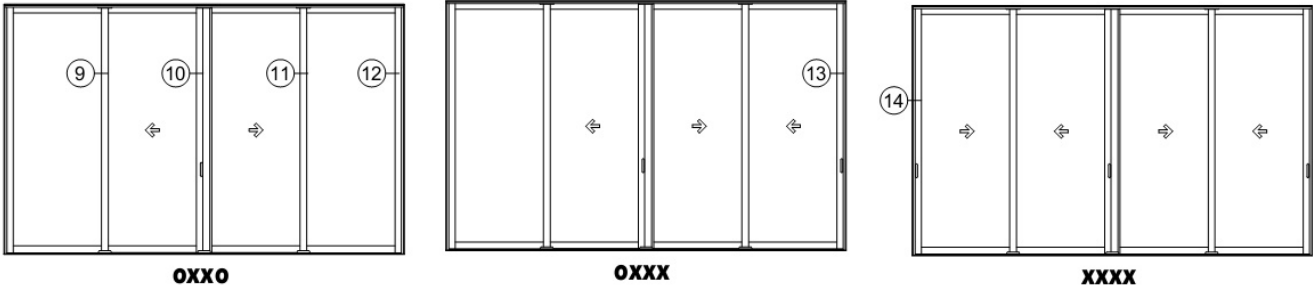


**Horizontal Section Laminated**

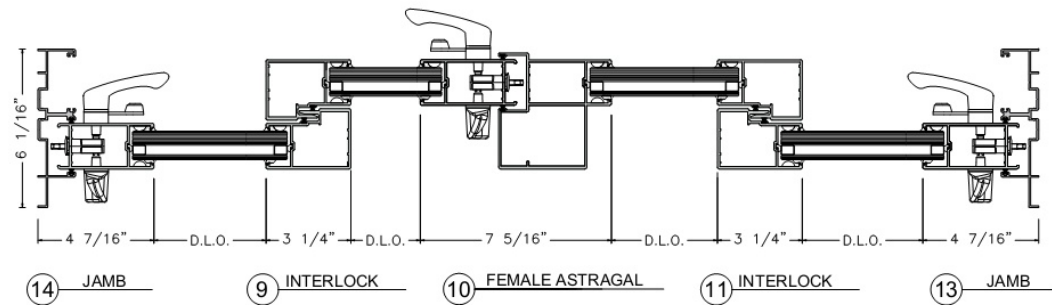
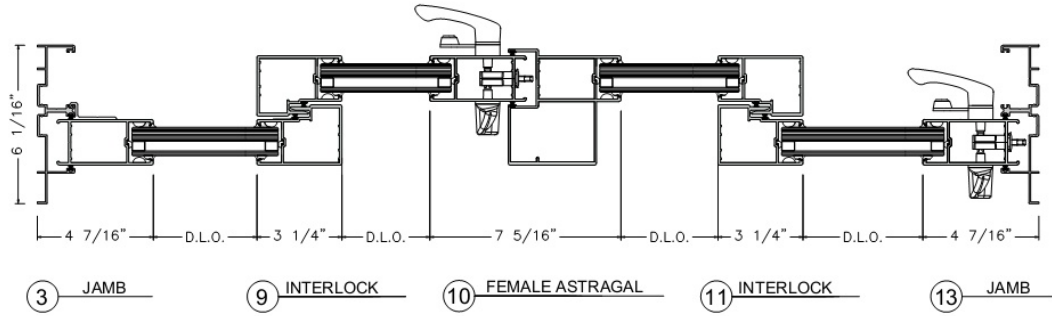
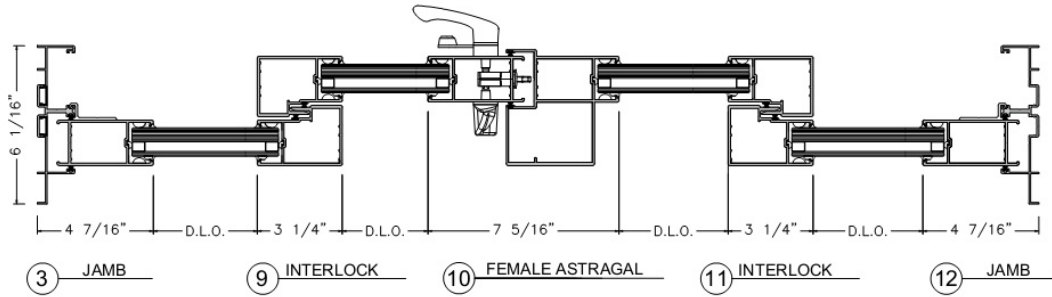




## Elevations



## Horizontal Section Insulated





The ES-6500 is a 5 1/4" impact rated, heavy duty sliding glass door, ideal for high rises with high designs pressures for its unique installation excels on retro fit projects.

## System Description

- Large + small missile impact.
- Frame depth: 5 1/4".
- Sill height: 3 5/16".
- Configurations: OX, XO, OXO, XOX, OXXO.
- Designed for 9/16" laminated glass and 1 3/16 insulated-laminated glass.
- Design load: +120/-135 psf.
- Water infiltration: 18 psf.
- Maximum size: 240" x 120" OXXO.
- U-value: 0,60 (with 1/4 SB60 - 3/8 Air - 1/4 Clear - 0,90 PVB - 1/4 Clear).

## Features

- Heavy duty, adjustable tandem polyamide ball bearing rollers.
- Head receptor optional and free standing heavy duty jamb.
- Fully weather-stripped.
- Anodized, painted or wood grain finishes available.
- Screens available in aluminum frame and fiberglass mesh inside or outside.
- Width for 32" clearance is 82 5/8".
- Retrofit anchoring configuration.

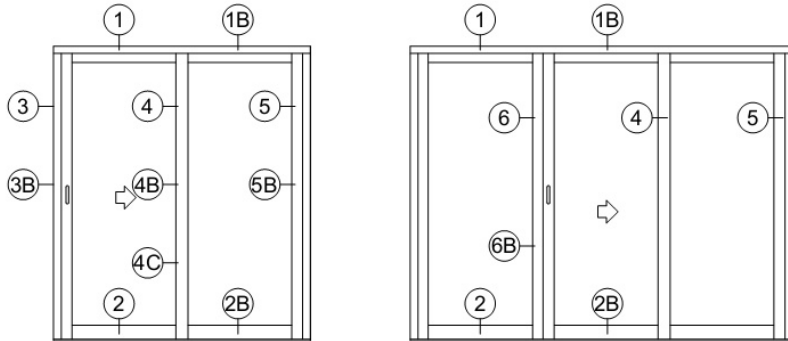
## Details



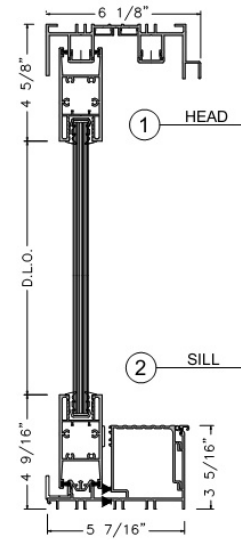




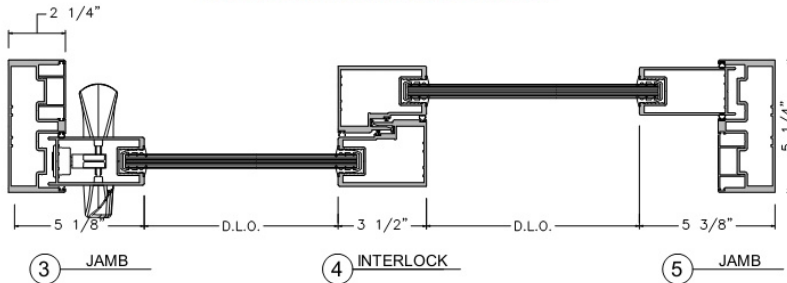
### Elevations



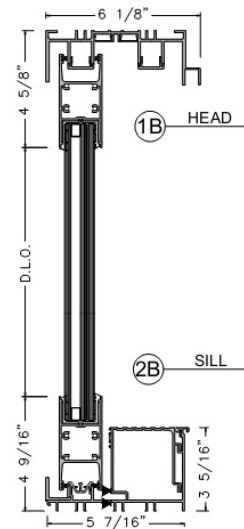
### Vertical Section Laminated



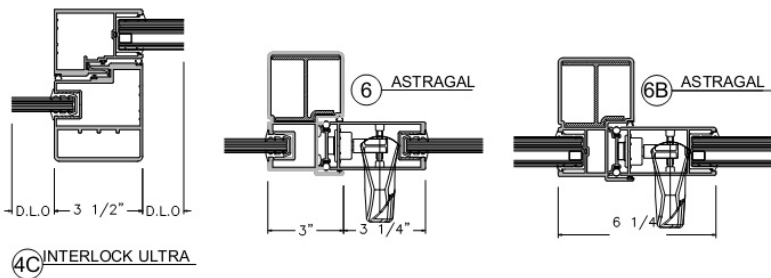
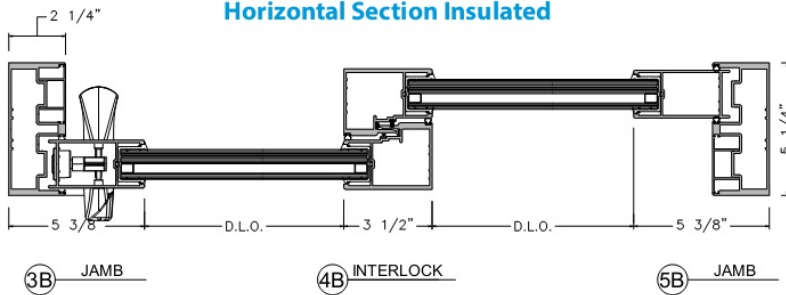
### Horizontal Section Laminated



### Vertical Section Insulated



### Horizontal Section Insulated



# **STOREFRONTS**



The ES-8000 is an impact resistant storefront system. This product is pre-assembled with screw spline construction and pre-glazed ready to install. The ES-8000 is compatible with ES-9000 impact door.

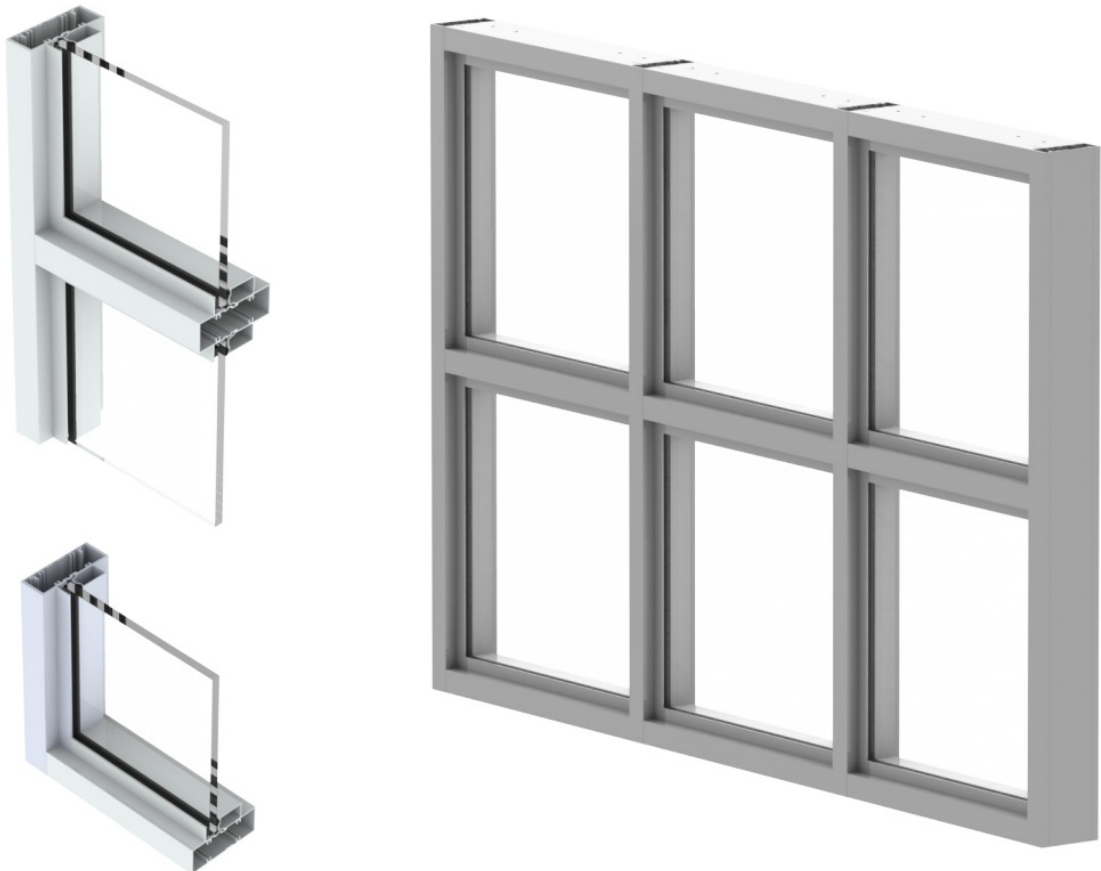
## System Description

- Large missile impact.
- Frame depth: 5".
- 1 3/4" sightline + 1" recessed fin.
- Designed for 9/16" laminated glass.
- Design load: +130/-130 psf.
- Water infiltration: 19,5 psf.
- Minimum radius for architectural shapes: 20".
- Maximum size: 48" x 120".
- U-value: 0,78 (with 1/4 Clear - 0,90 SGP - 1/4 Low-E).

## Features

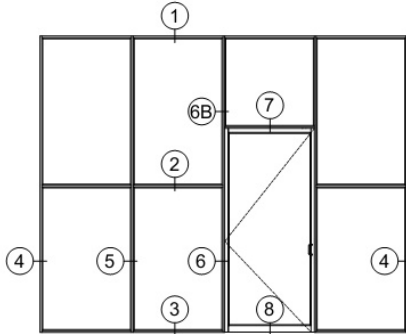
- Pre-assembled and pre-glazed.
- Integral swing door adaptor.
- Screw cover.
- Anodized, painted or wood grain finishes available.
- Architectural shapes available.
- Surface applied ogee or flat muntins.
- Inside glazed.

## Details

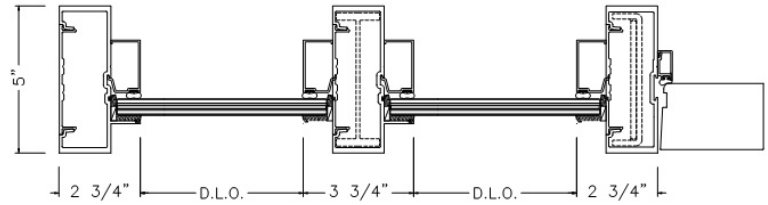




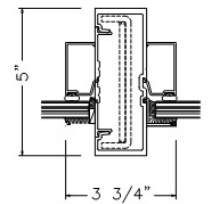
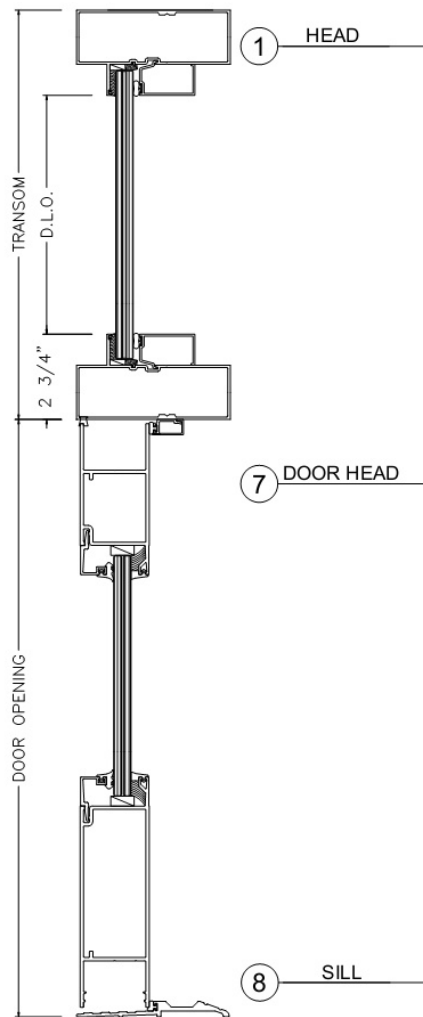
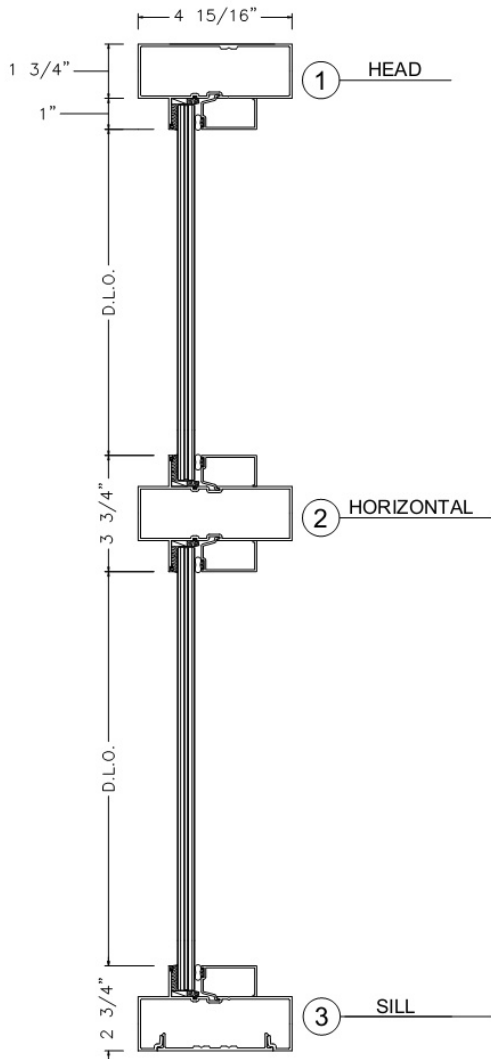
Elevations



Horizontal Section



Vertical Section



6B TRANSOM JAMB



The ES-8000T is an impact resistant thermal storefront system. This product is isolated with pour and debridge for a superior thermal performance. ES-8000T is compatible with ES-9000 impact door.

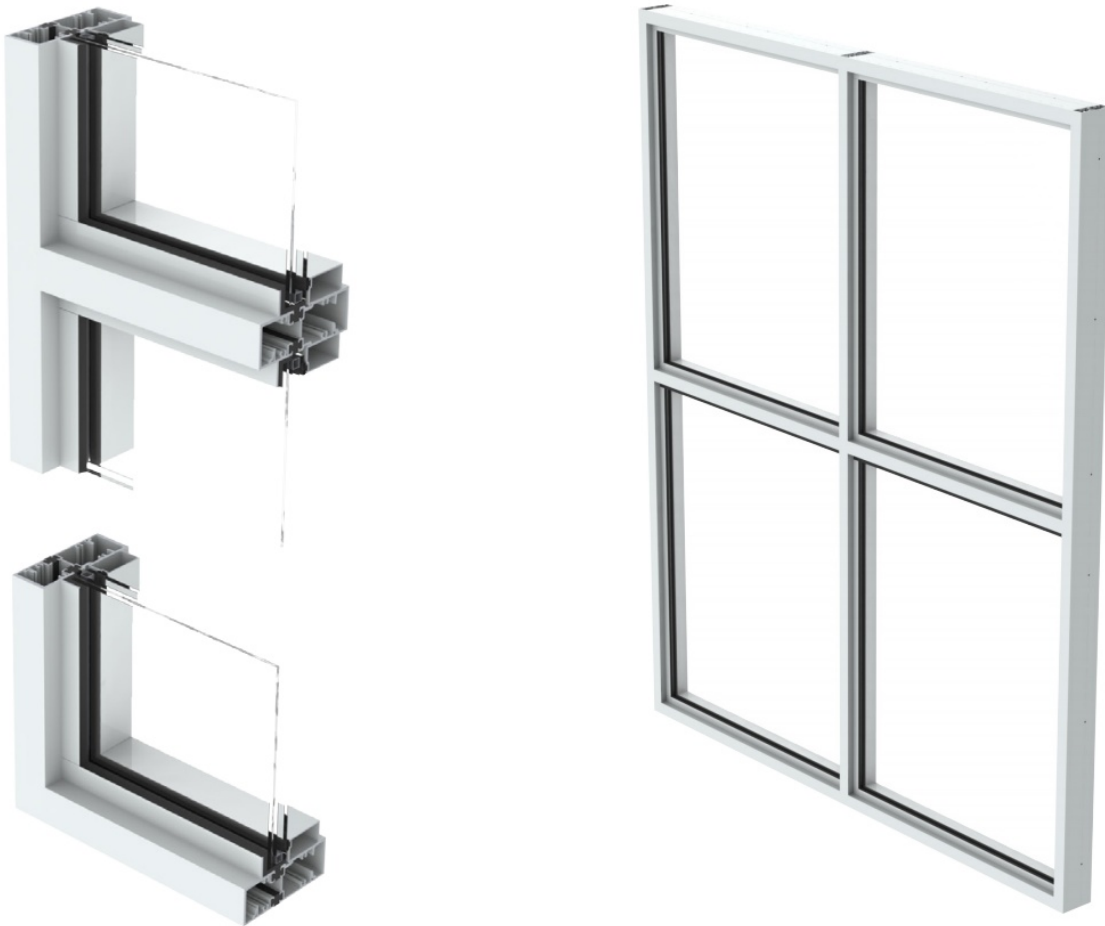
## System Description

- Large missile impact.
- Frame depth: 5".
- 1 1/4" sightline + 1" recessed fin.
- Designed for 1 3/16" insulated laminated glass.
- Design load: +90/-90 psf.
- Water infiltration: 13,5 psf.

## Features

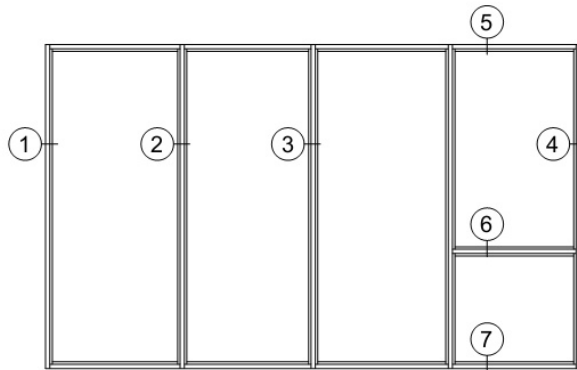
- Pre-assembled and pre-glazed.
- Integral door adaptor.
- Screw cover.
- Anodized, painted or wood grain finishes available.
- Surface applied ogee or flat muntins.
- Similar sight line and shape as ES-8000.
- Inside glazed.

## Details

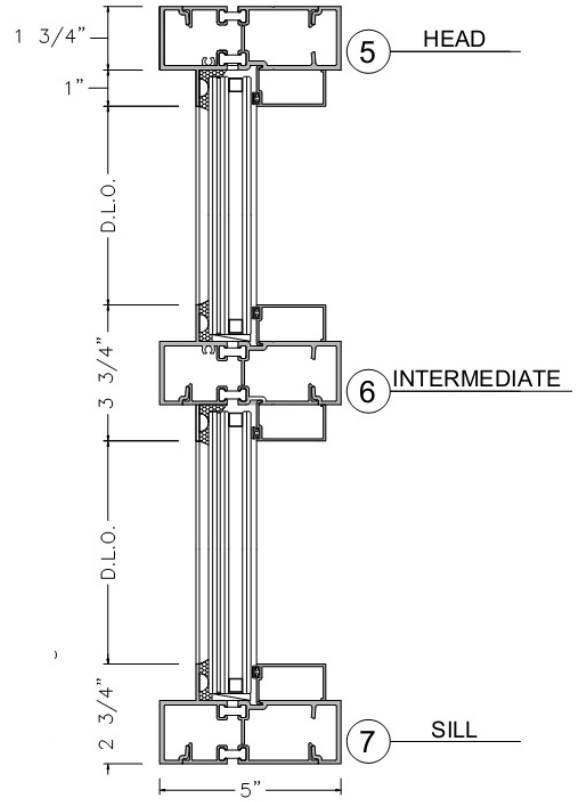




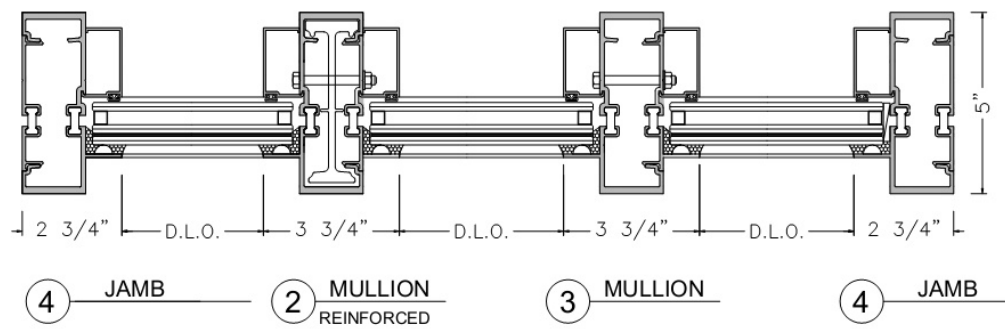
Elevations



Vertical Section



Horizontal Section





The ES-9500 is an impact resistant, storefront system. This product is pre-assembled and pre-glazed, making it a practical design. It has been tested and developed to meet the most stringent impact requirements. ES-9500 is compatible with the ES-9000 impact door.

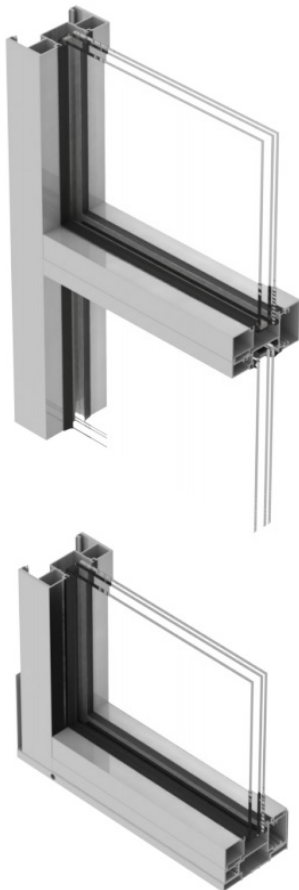
## System Description

- Large missile impact.
- Frame depth: 5".
- 2 1/2" sightline.
- Center glazed.
- Designed for 9/16" laminated glass and 1 5/16" insulated-laminated glass.
- Design load: +120/-120 psf.
- Water infiltration: 18 psf.
- Maximum size: 48" x 120".
- U-value: 0,48 (with 1/4 SB70XL - 1/2 Air - 1/4 Clear - 0,90 PVB - 1/4 Clear).

## Features

- Pre-assembled and pre-glazed.
- Integral door adaptor.
- Continuous sill flashing.
- Screw cover.
- Anodized, painted or wood grain finishes available.
- Outside glazed.

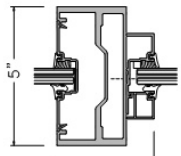
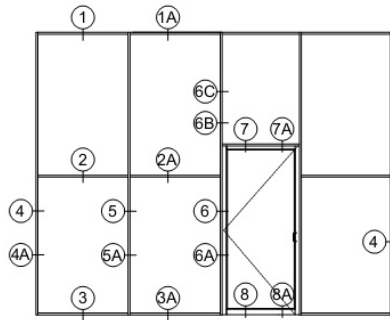
## Details



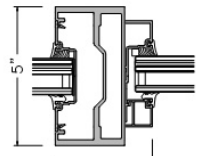




**Elevations**



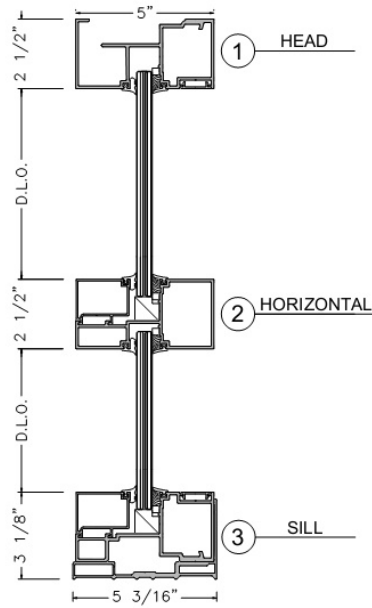
6B TRANSOM JAMB



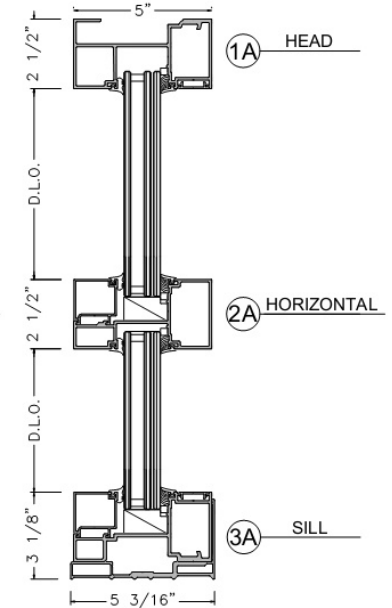
6C TRANSOM JAMB

**Vertical Section**

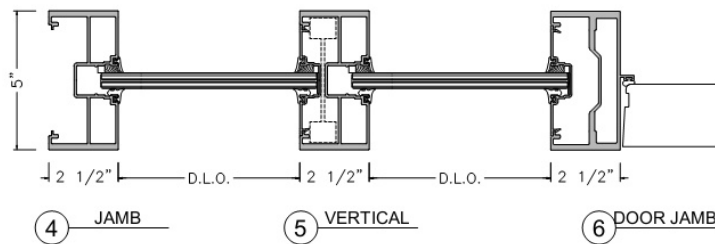
**Laminated**



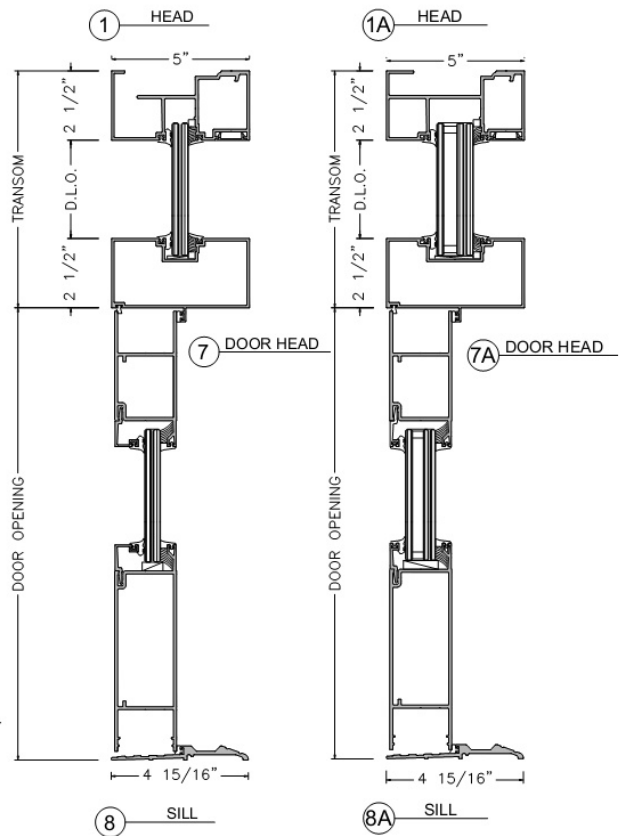
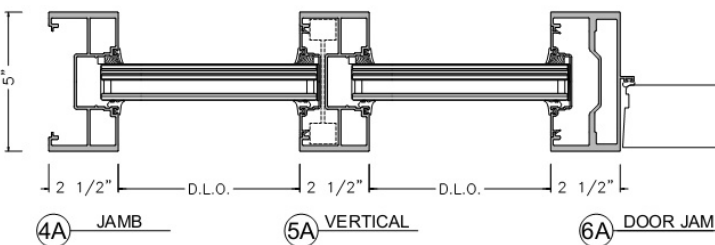
**Insulated**



**Horizontal Section  
Laminated Glass**



**Horizontal Section  
Insulated Glass**





The WW5250 is a thermally improved impact rated window wall. This product meets the most stringent Miami Dade County specifications and its design is attractive for a wide range of applications.

## System Description

- 2 1/2" sightline.
- Large and small missile impact.
- Designed for laminated glass and insulated laminated glass.
- Water infiltration 19.5 psf.
- Design load +130 – 130 psf.
- Maximum panel size 48" x 288" (double span)  
48" x 144" (single span).
- Maximum panel width 60" @ lower heights.

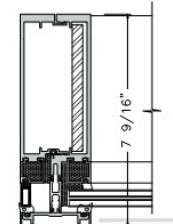
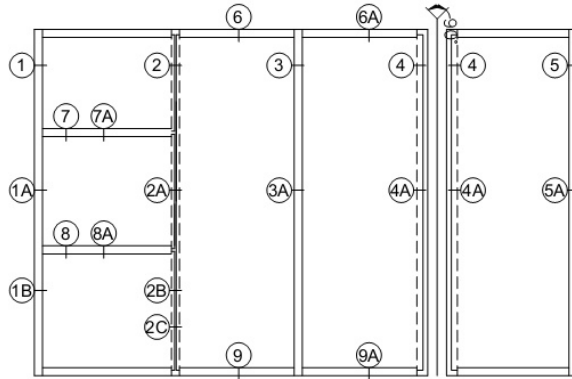
## Features

- Fully weather-stripped.
- SSG And captured options.
- Thermally improved.
- Head receptor optional.
- Inside and outside corner.
- Anodized, painted finishes available.

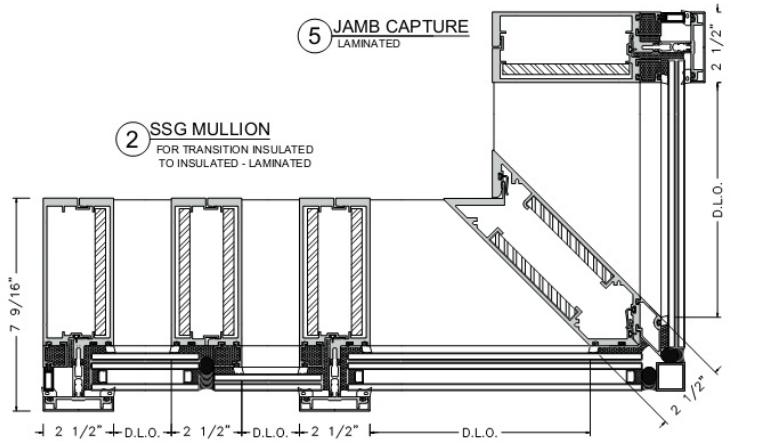
## Details



Elevations



1B JAMB CAPTURE LAMINATED

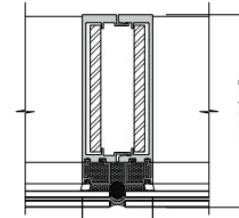


1 JAMB CAPTURE INSULATED

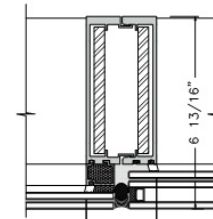
2 SSG MULLION FOR TRANSITION INSULATED TO INSULATED - LAMINATED

3 MULLION CAPTURE FOR TRANSITION LAMINATED TO LAMINATED - INSULATED

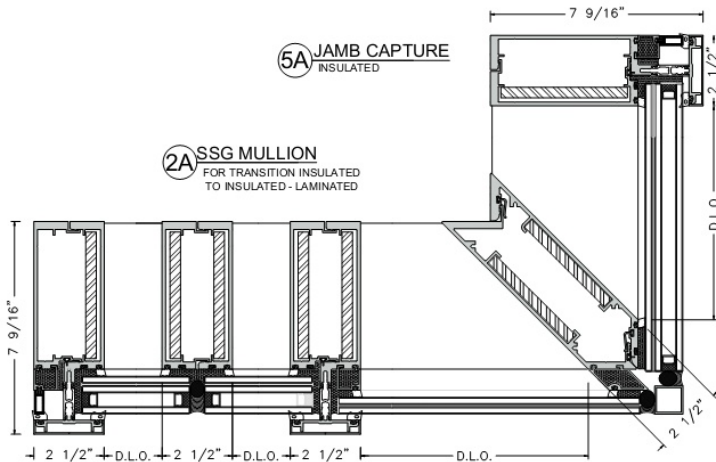
4 CORNER MULLION SSG FOR TRANSITION INSULATED TO INSULATED - LAMINATED



2B SSG MULLION LAMINATED



2C SSG MULLION FOR TRANSITION LAMINATED TO LAMINATED - INSULATED

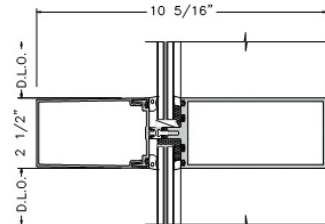


1A JAMB CAPTURE INSULATED

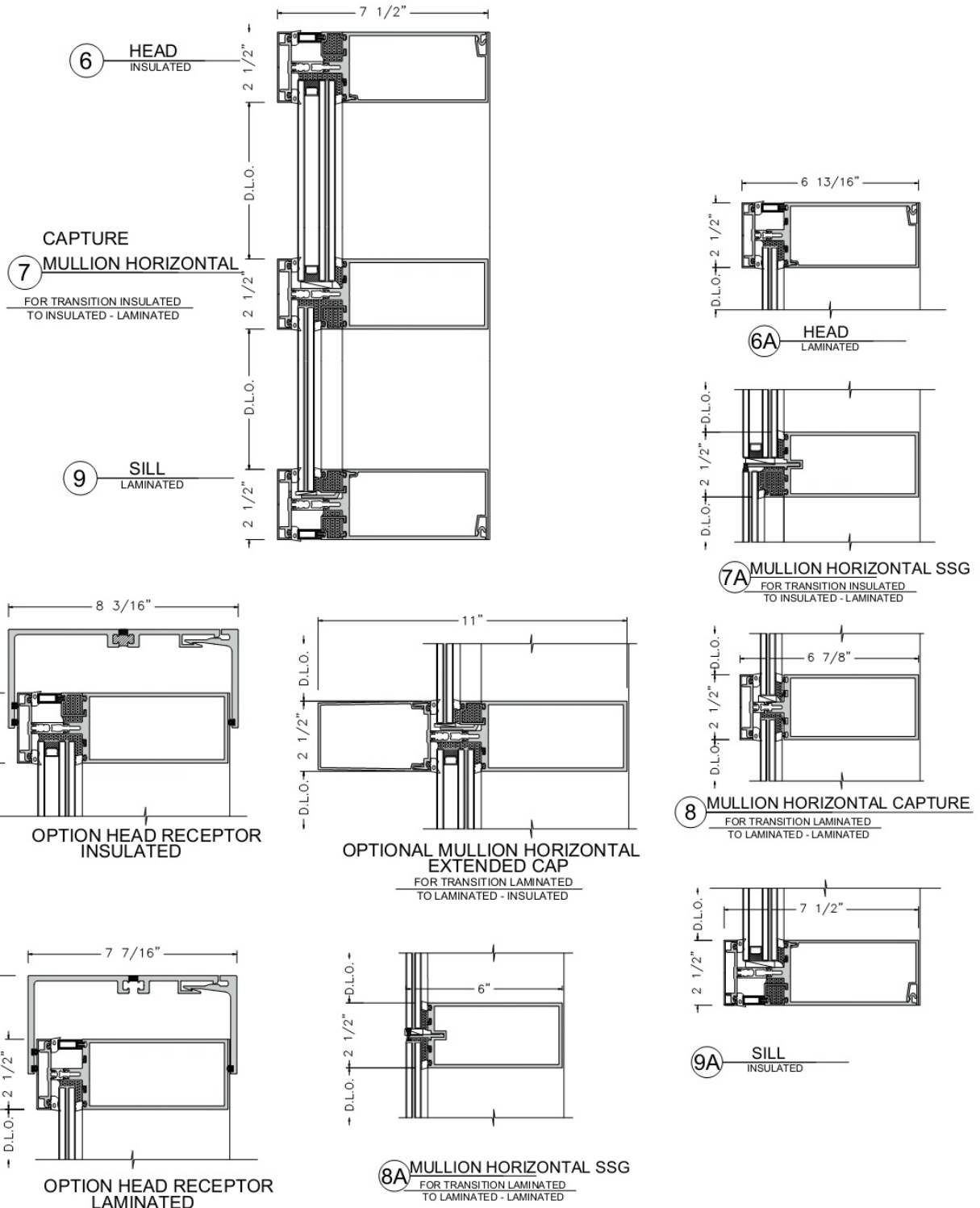
2A SSG MULLION FOR TRANSITION INSULATED TO INSULATED - LAMINATED

3A MULLION CAPTURE FOR TRANSITION INSULATED TO INSULATED - LAMINATED

4A CORNER MULLION SSG FOR TRANSITION INSULATED TO INSULATED - LAMINATED



OPTIONAL MULLION HORIZONTAL EXTENDED CAP FOR TRANSITION LAMINATED TO LAMINATED - LAMINATED





The window wall ES-7000 is a pre-assembled and pre-glazed ready to install system. The ES-7000 is compatible with ES-9000 impact door and has an adjustable installation plate, making installation easier.

## System Description

- Large missile and small missile impact.
- Frame depth: 6 1/8".
- Flush glazed.
- Designed for 9/16" laminated glass and 1 5/16" insulated-laminated glass.
- Design load: +100/-150 psf.
- Water infiltration: 15 psf.
- Maximum size: 48" x 144".
- U-value: 0,55 ( with ¼ SB60 + ½ Air + ¼ Clear + 0,90 PVB + ¼ Clear).

## Features

- Pre-assembled and pre-glazed.
- Screw cover.
- Anodized, painted finishes available.
- Swing door adaptor.
- Anchoring leveling plate.
- Stand alone jamb (no anchor required).
- Flexible shimming space.
- Three reinforcement levels.
- Exterior glazed.

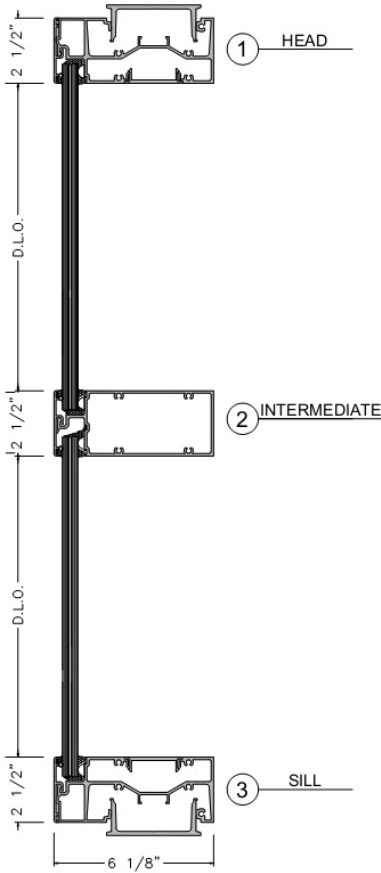
## Details



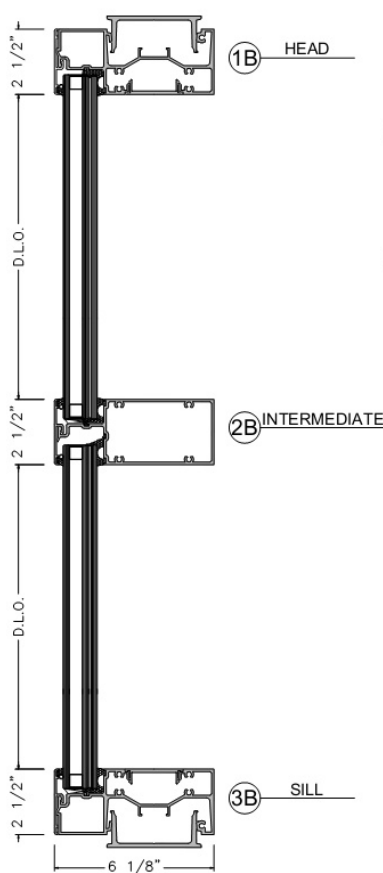


### Vertical Section

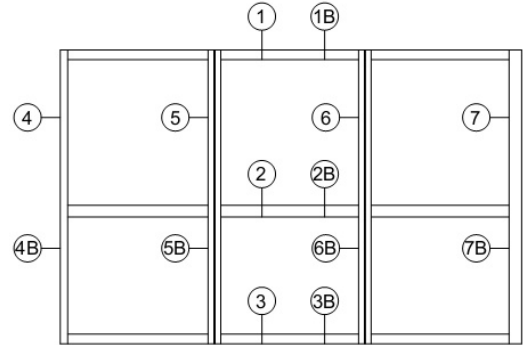
#### Laminated Glass



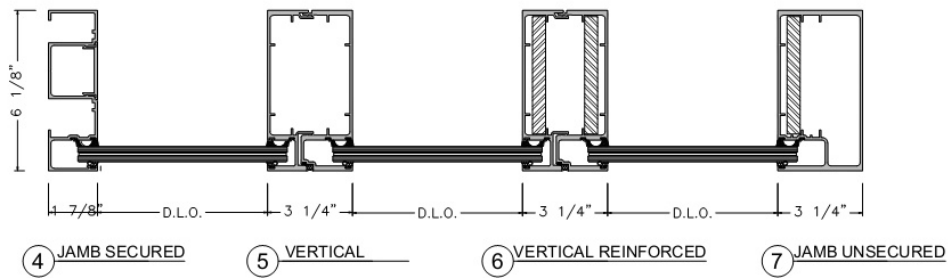
#### Insulated Glass



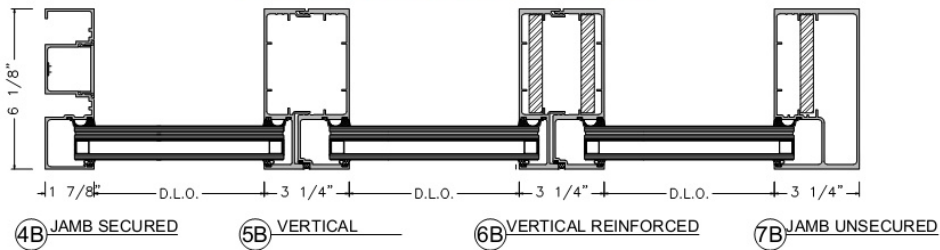
### Elevations



### Horizontal Section Laminated Glass



### Horizontal Section Insulated Glass







The ES-WW1032 is a 10 1/2" impact resistant window wall system. Compatible with ES-7000 window wall, it features four side captured glazing and deeper verticals for larger spans.

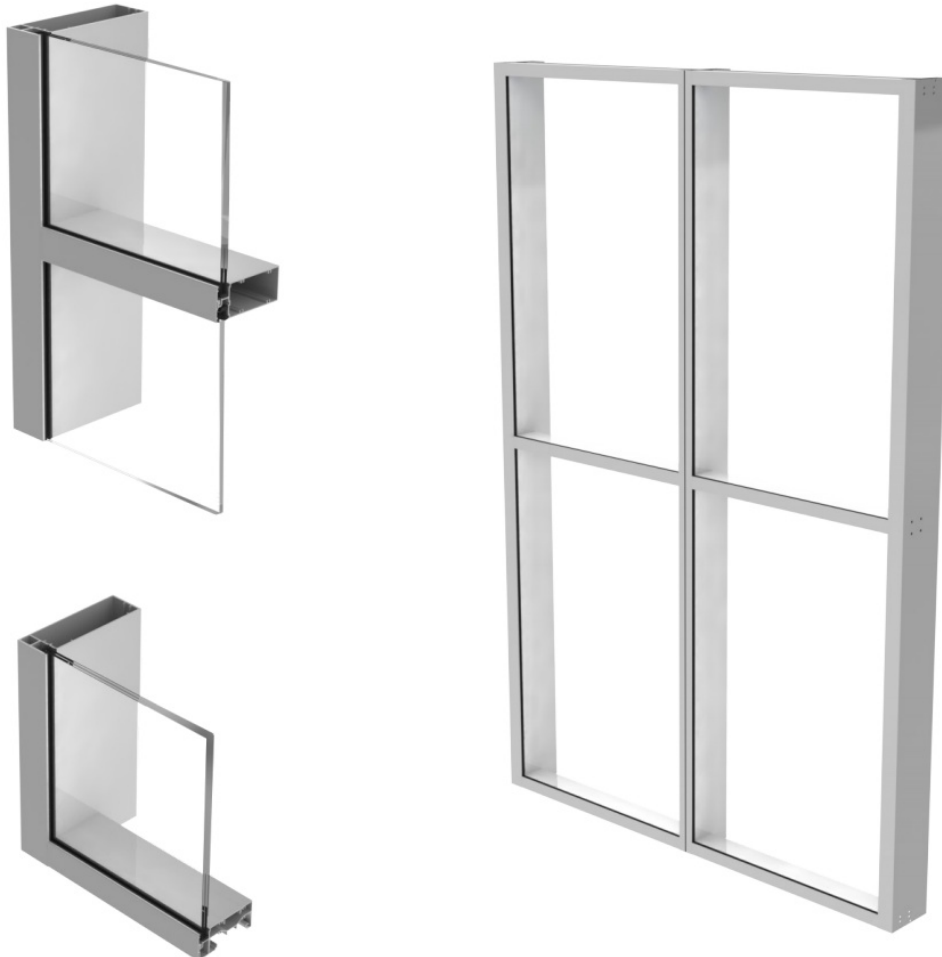
## System Description

- Large missile impact.
- Designed for 9/16" laminated glass and 1 5/16" insulated-laminated glass.
- Frame depth: 10 1/2" laminated, 11 1/4" insulated-laminated.
- Water infiltration: 21 psf.
- Design load: +138/-138 psf.
- Maximum size: 60" x 192".
- U-value: 0,55 ( with 1/4 SB60 + 1/2 Air + 1/4 Clear + 0,90 PVB + 1/4 Clear).

## Features

- Pre-assembled and pre-glazed.
- Screw cover.
- Anodized and painted available.

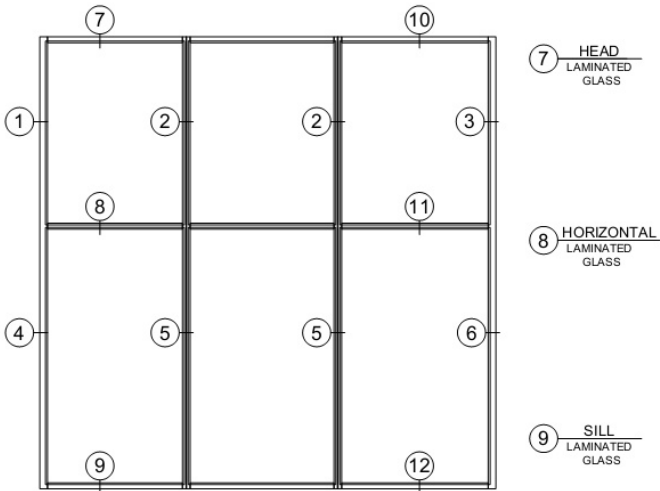
## Details



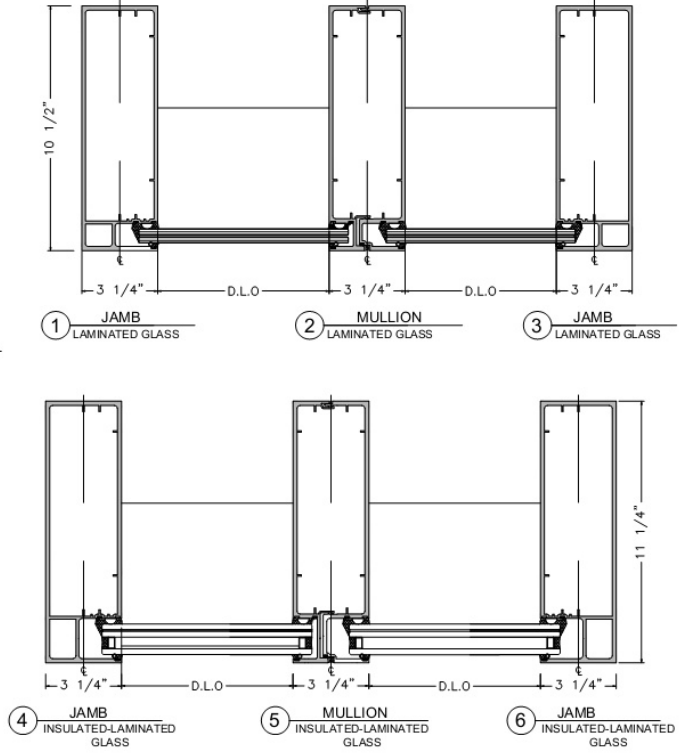




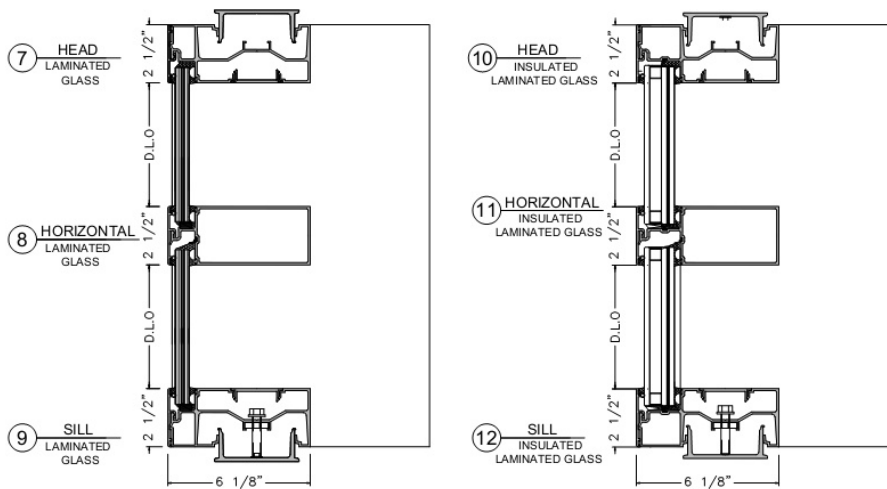
## Elevations



## Horizontal Section



## Vertical Section





The ES-WW8832 is an 8 7/8" impact rated window wall system. Compatible with ES-7000 window wall, it features structural silicone glazing at intermediate verticals and horizontals, and has heavier profiles for additional strength.

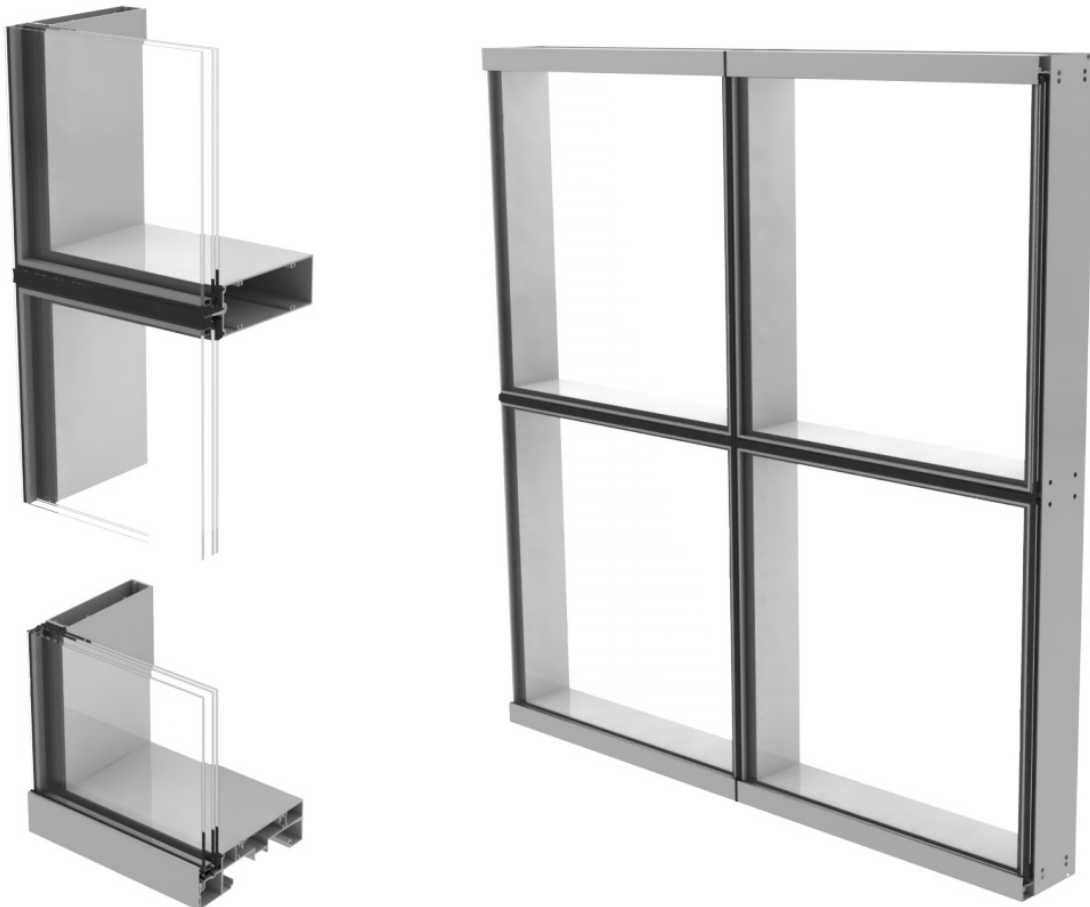
## System Description

- Small missile impact.
- 8 7/8" Frame depth.
- Designed for 1 5/16" insulated-laminated glass.
- Water infiltration: 21 psf.
- Design load: +140/-140 psf.
- Maximum size: 45" x 175 3/4".

## Features

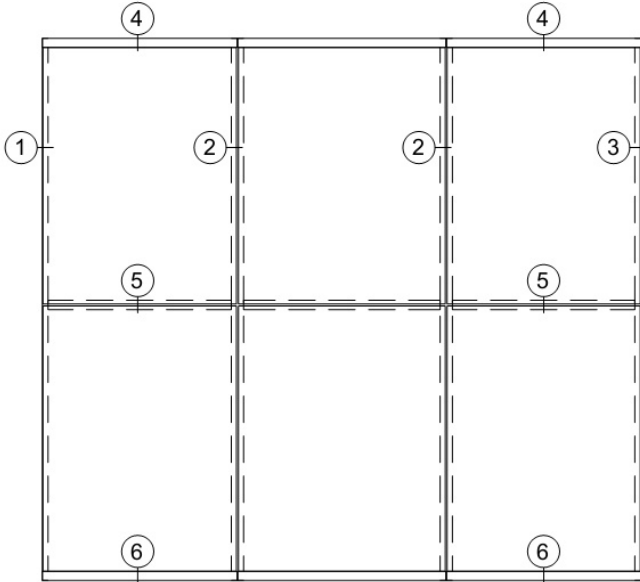
- Pre-assembled and pre-glazed.
- Screw cover.
- Anodized and painted available.

## Details

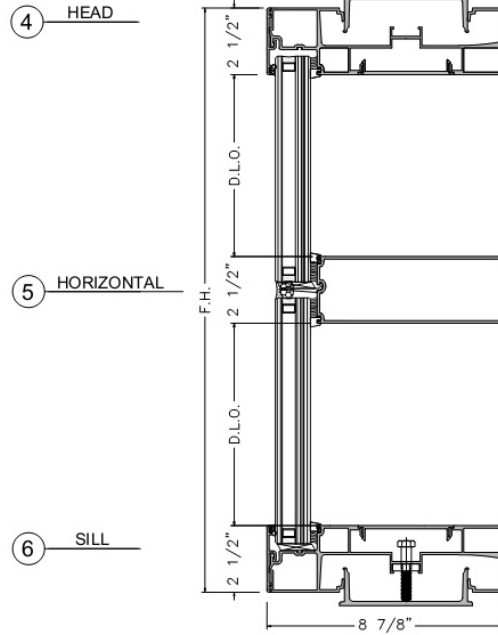




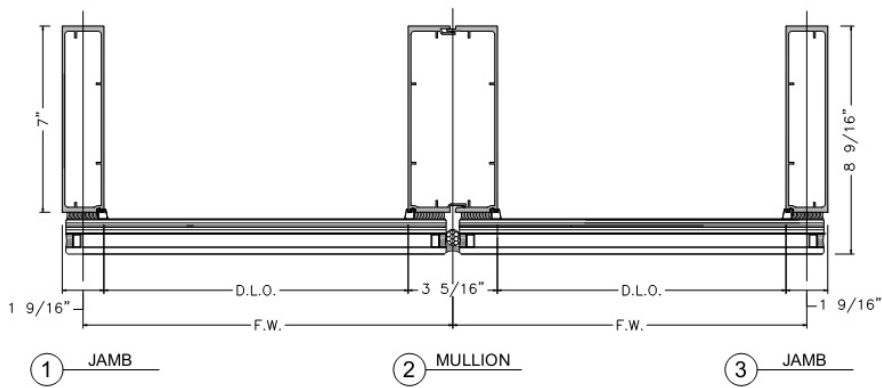
### Elevations



### Vertical Section



### Horizontal Section





The HR-2600 is an impact rated horizontal roller window. This product meets the most stringent Miami Dade County specifications and its design is attractive for a wide range of applications.

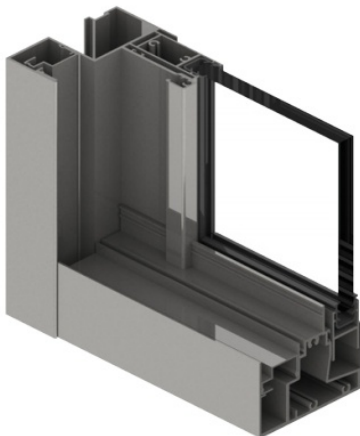
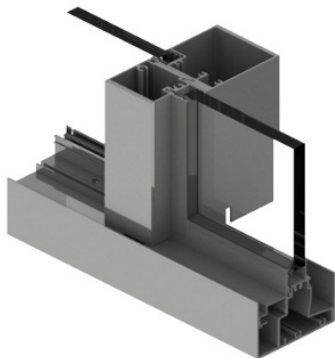
## System Description

- Large and small missile impact
- Designed for 9/16" laminated glass
- Water infiltration: 18 psf
- Design load: +/- 120 psf
- Maximum window size  
2 panel 112"x 80 3/4"  
3 panels 156"x80 3/4"

## Features

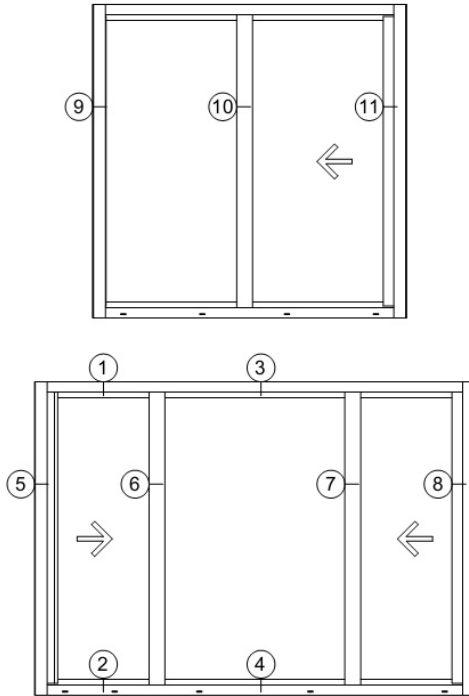
- Fully weather-stripped
- Anodized, painted or wood grain finishes available

## Details

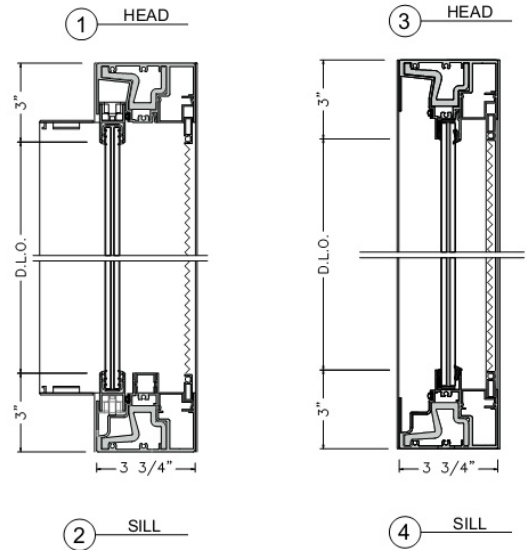




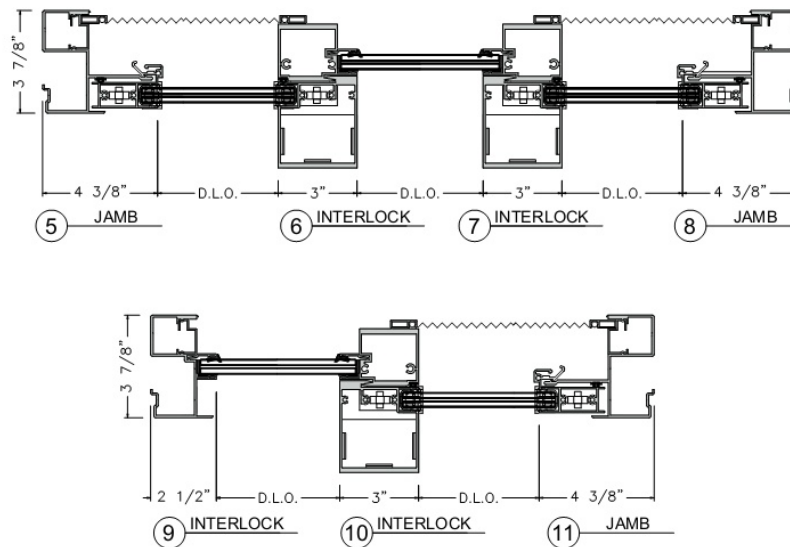
### Elevations



### Vertical Section



### Horizontal Section





The HC200 is a impact rated casement window. This product meets the most stringent Miami Dade County specifications with large sizes and the option to be use on highrise projects.

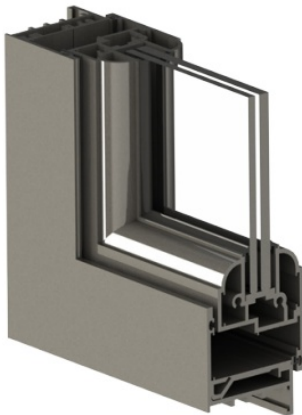
## System Description

- 2 1/4" frame depth
- Large and small missile impact
- Designed for laminated glass and insulated laminated glass
- Water infiltration: 19.5psf
- Design load: +130 -180psf
- Maximum window size 36" x 84"

## Features

- Standard operator multipoint lock bar
- Concealed installation screws
- Washability 4-bar hinge

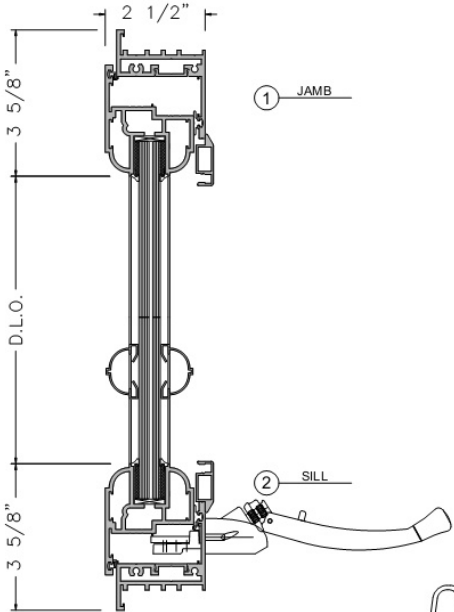
## Details



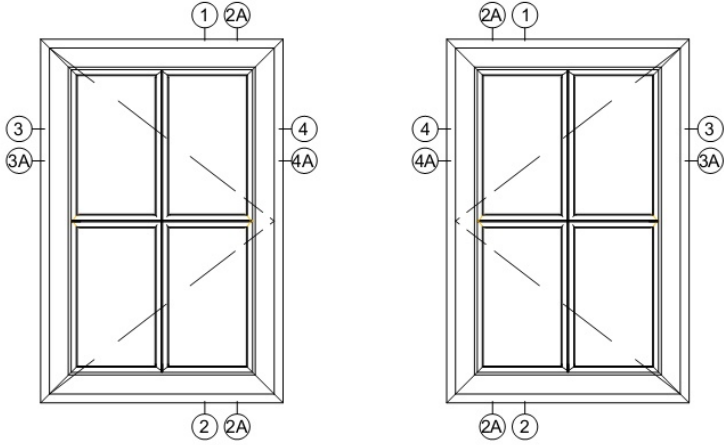
Casement



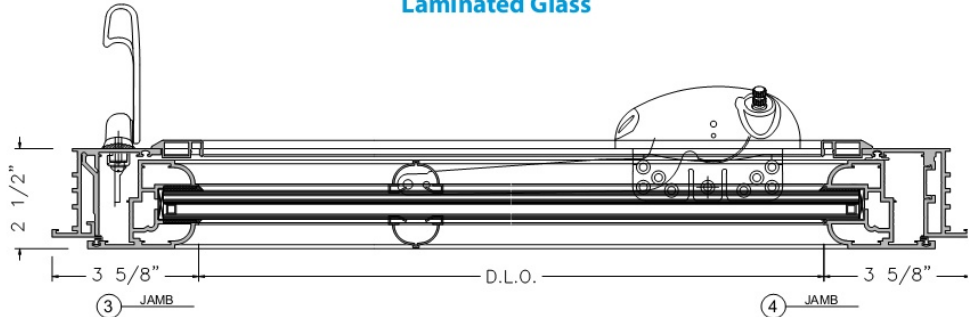
### Vertical Section



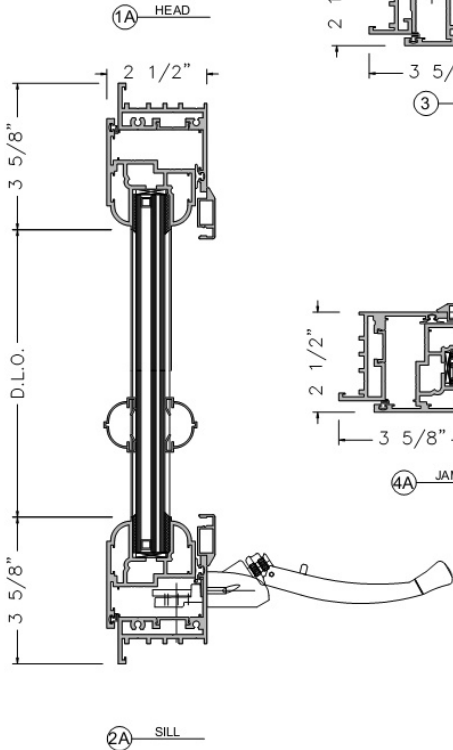
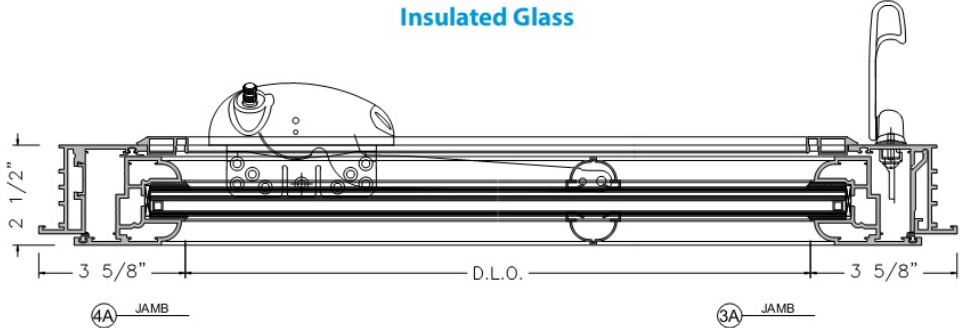
### Elevations



### Horizontal Section Laminated Glass



### Insulated Glass





# **CURTAIN WALL**





The ES-CS1325 is a stick facade system or "stick curtain wall", mullions and glass are installed separately on site. The basic design concept allows the system to be considered thermally improved, used mainly for lobby areas, because of its spam.

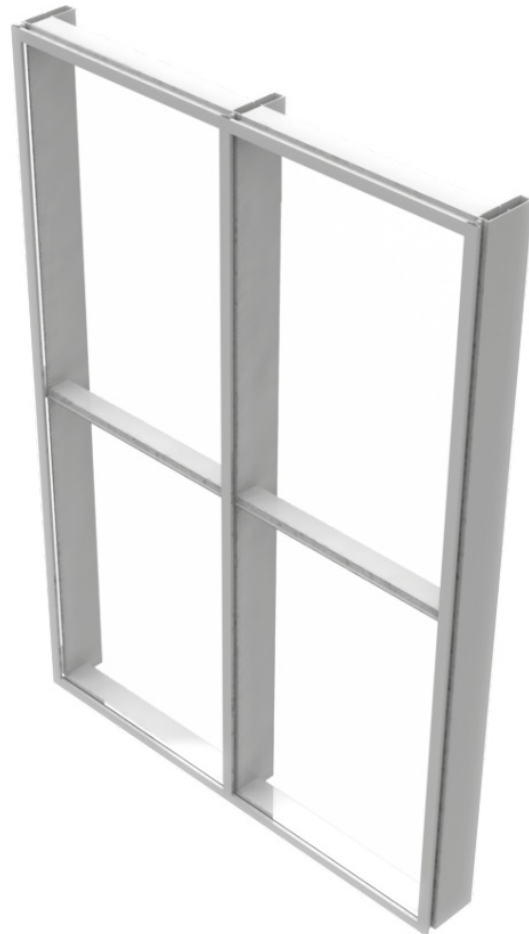
## System Description

- Frame depth: 13".
- Sightline: 2.5".
- Designed for 1 5/16" insulated laminated glass and 9/16" laminated glass.
- Design load:  $\pm 150$  psf.
- Water infiltration: 20 psf.
- U-value: 0,55 BTU/hr-ft<sup>2</sup>-° (with 1/4" + 1/2" Air Space + 1/4" + 0,090" Sentryglas + 1/4" Clear).

## Features

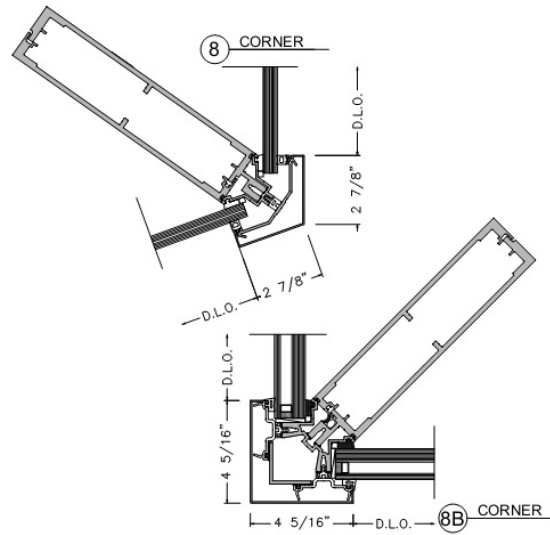
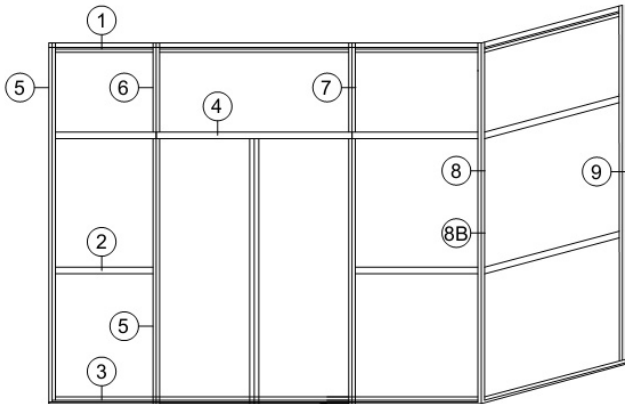
- EPDM isolator gasket.
- 90° outside corner available.
- Anodized, painted or wood grain finishes available.
- Assembled on site.
- Can be combined with other systems, projecting doors and windows.
- Outside glazed.

## Details

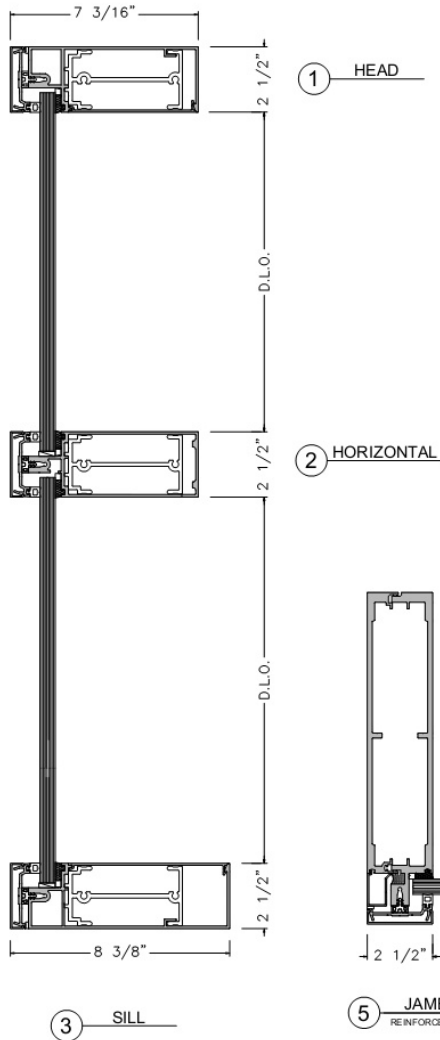




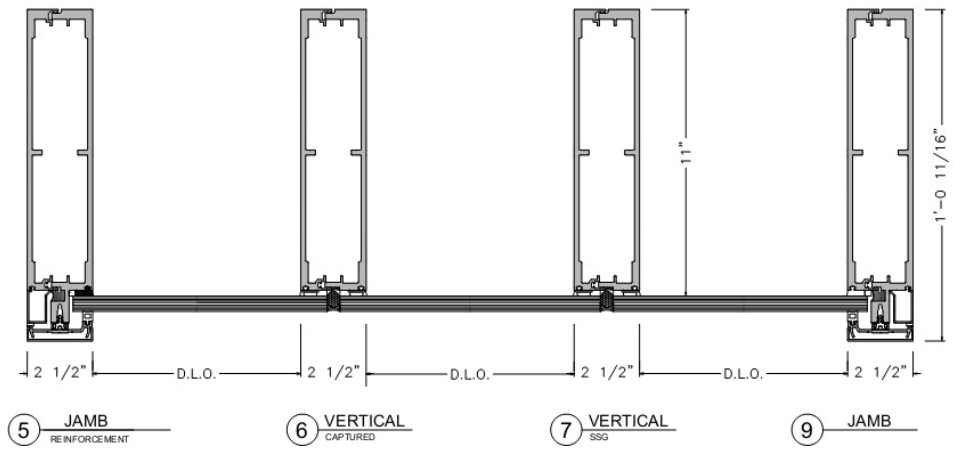
## Elevations



## Vertical Section



## Horizontal Section





The ES-7525 is an impact and blast resistant, thermally improved, pressure-glazed, curtain wall system with 2 ½" sightline and 7 ½" mullion depth. It is compatible with ES-9000 impact door.

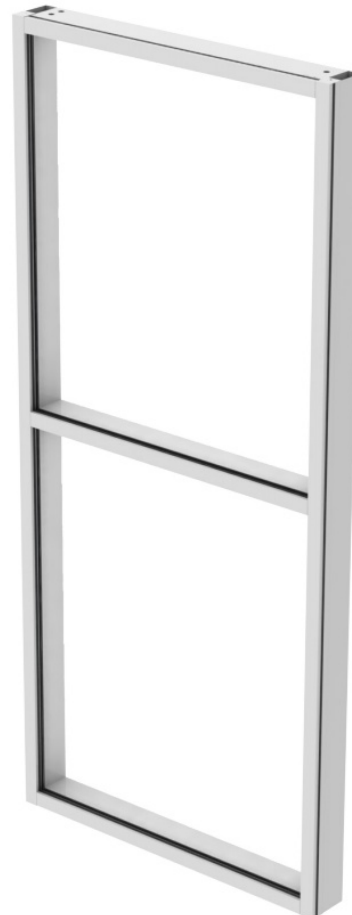
## System Description

- Frame depth: 7 ½".
- 2 ½" sightline.
- Outside glazed.
- Shear block construction.
- Captured verticals and horizontals, or SSG verticals mullions and captured horizontals.
- Designed for 9/16" laminated glass and 1 5/16" insulated laminated glass and non impact 1" insulated glass, with ¼" spandrel glass adaptor.
- Wet glazing for large missile impact and dry glaze for small missile impact.
- Design load : +100/-100 psf.
- Water infiltration: 20 psf.
- U-value: 0,46 (with ¼ SB60 - ½ Air - ¼ Clear).
- Bomb blast: 5,8 psi; 41,1 psi – msec; ASTM. Minimal hazard; GSA Condition 2; UFC DoD Medium level.

## Features

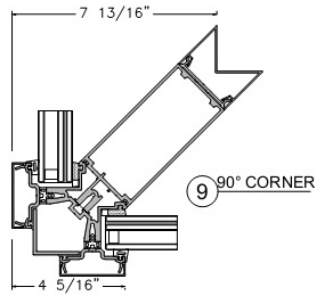
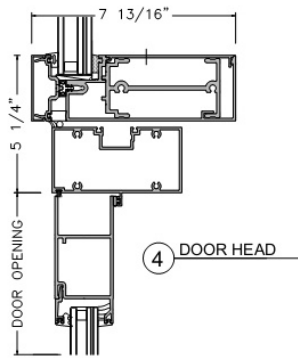
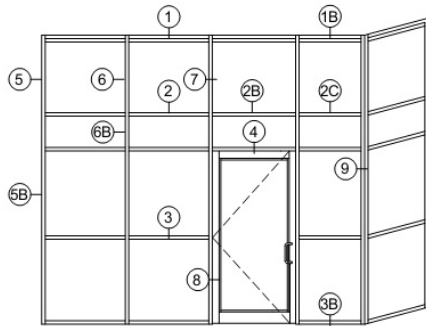
- Open horizontal available for ease of installation.
- Integral door adaptor.
- EPDM isolator gasket.
- 90° outside corner adaptor.
- Anodized, painted or wood grain finishes available.
- Variety of accessories, including perimeter anchors, pocket, fillers, joint plugs, etc.

## Details



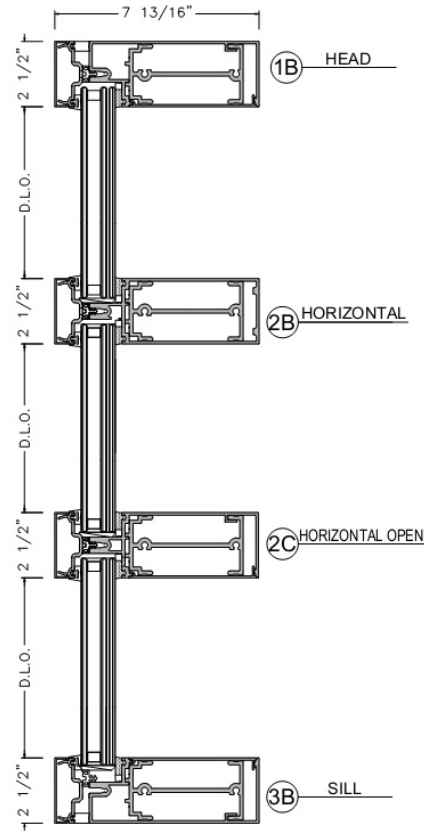


Elevations

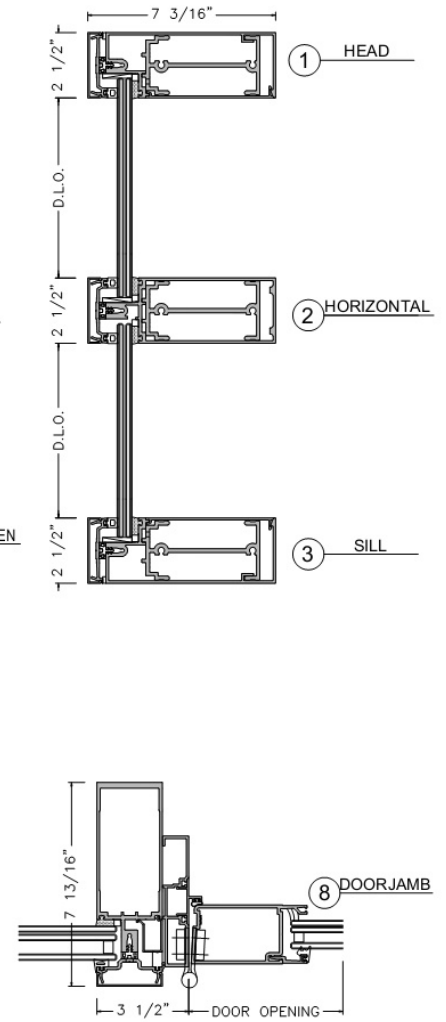


Vertical Section

Insulated - Laminated Glass

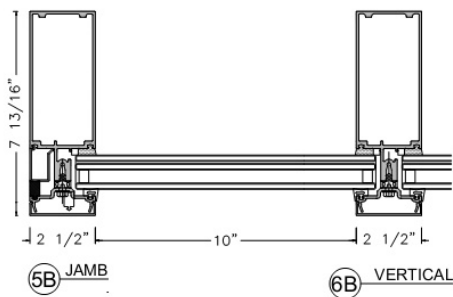


Laminated Glass

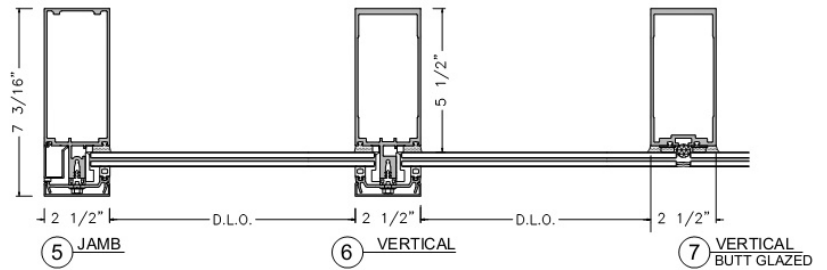


Horizontal Section

Insulated - Laminated Glass



Laminated Glass





The CW7000 is a thermally broken impact rated curtain wall. This product meets the most stringent Miami Dade County specifications and its design is attractive for a wide range of applications.

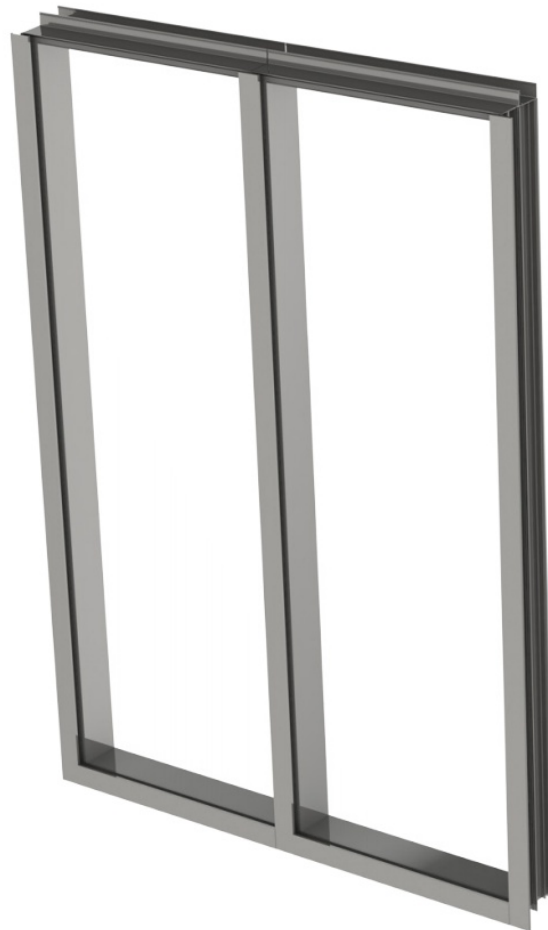
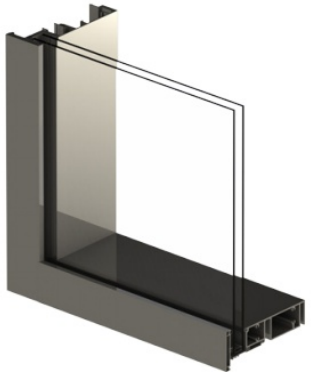
## System Description

- SSG and Capture glazing.
- Large and small missile impact.
- Designed for insulated laminated glass.
- Water infiltration 15 psf.
- Design load +100/-140.
- Maximum panel size 60x144 and 60x208 spans.

## Features

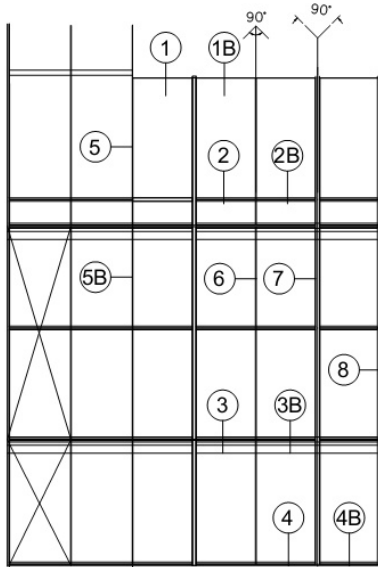
- Two track options.
- Fully weather-stripped.
- Railing options.
- Inside and outside corner.
- Anodized, painted or wood grain finishes available.

## Details

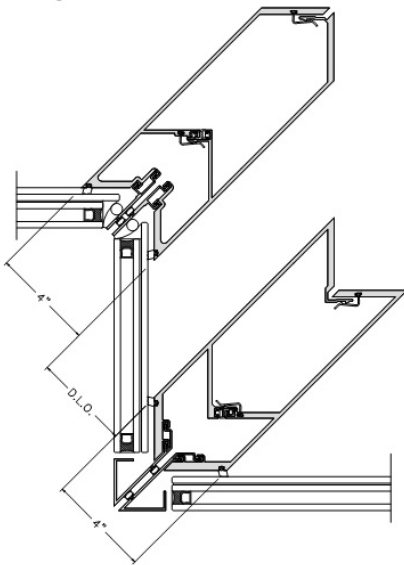




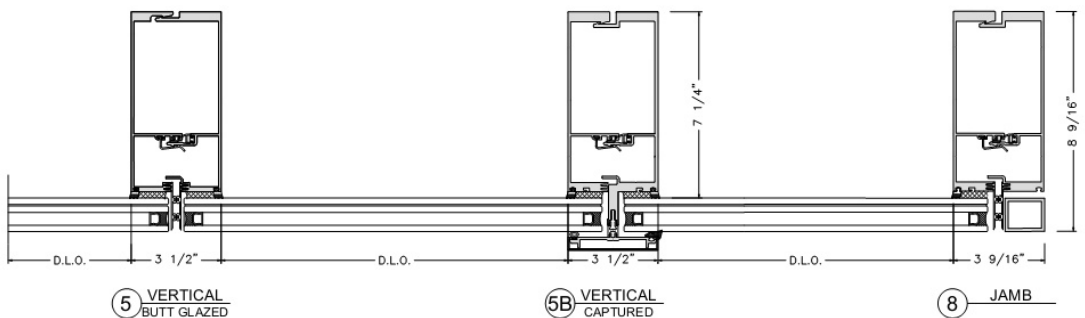
### Elevations



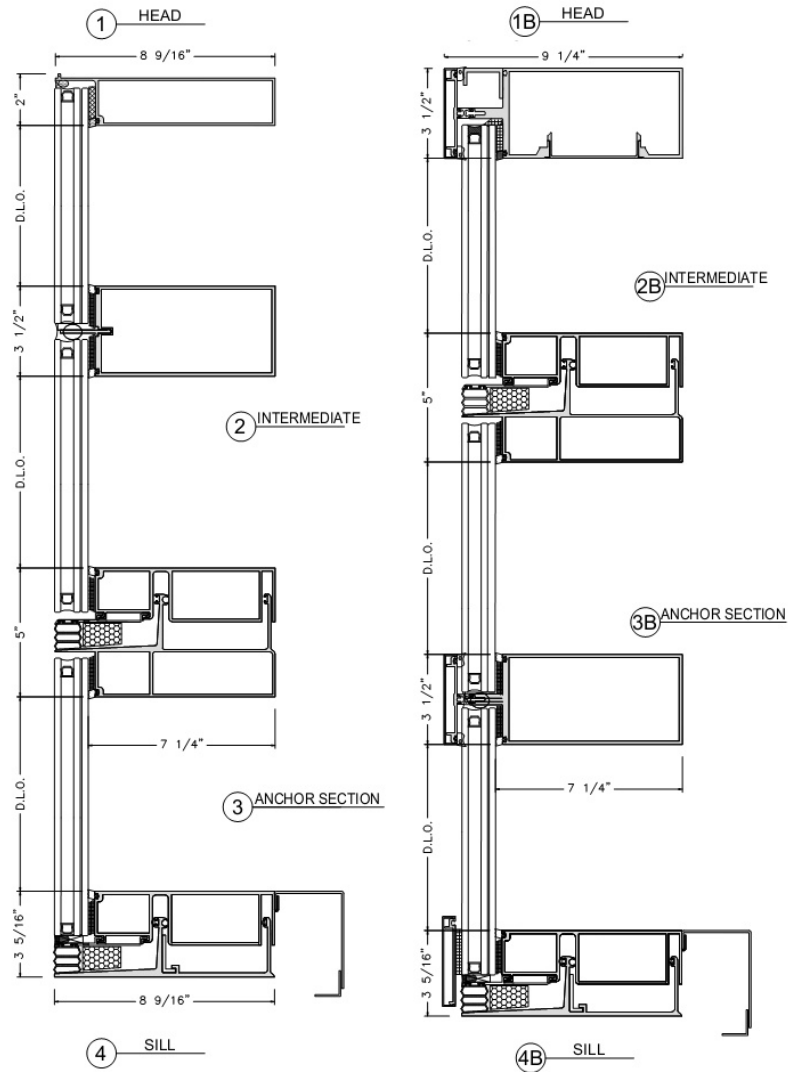
6 OUTSIDE CORNER



7 INSIDE CORNER



### Vertical Section



### Horizontal Section



# RAILING





The ES-RL3030 is a modular glass railing system. The aluminum frames are pre-assembled from factory and needs to be embedded into concrete on site. Verticals mullions slides into each other to assemble the railing. Glass panels are placed on the horizontal hooks and secured with top caps.

## System Description

- 90° corner profile available.
- Cap width: 5/34"
- Mullion size: 3" x 3"
- Hidden verticals.
- Designed for 7/16" laminated glass.
- Design load: +/- 120 psf.

## Features

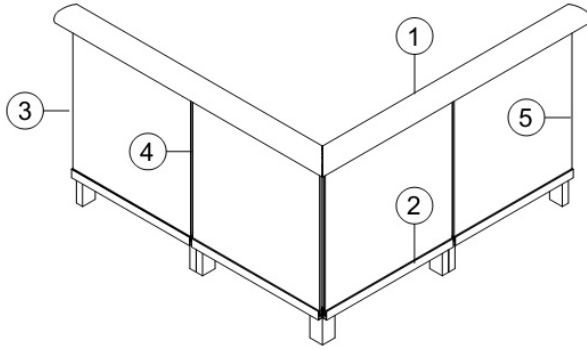
- Embedment into concrete.
- Tested and certified TAS202, ANSI Z97, ASTM E935.

## Details

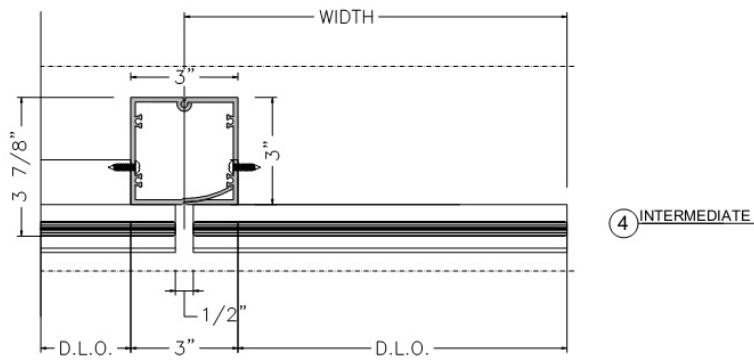




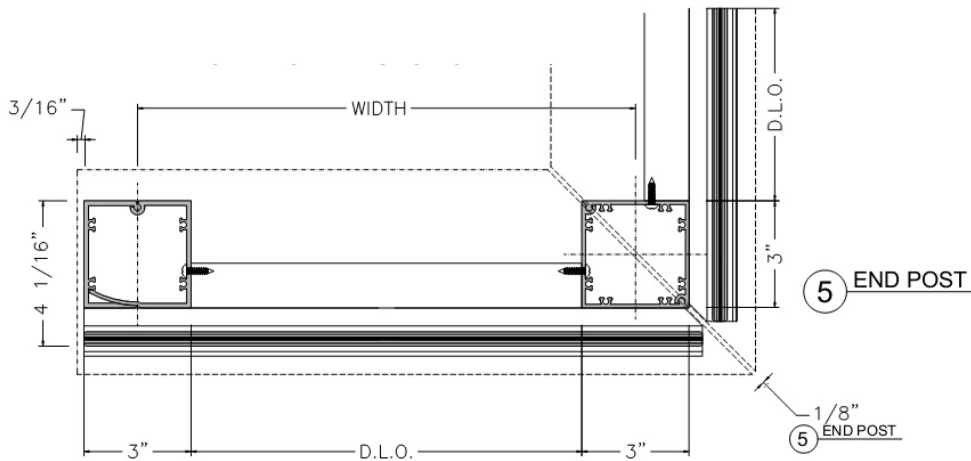
## Elevations



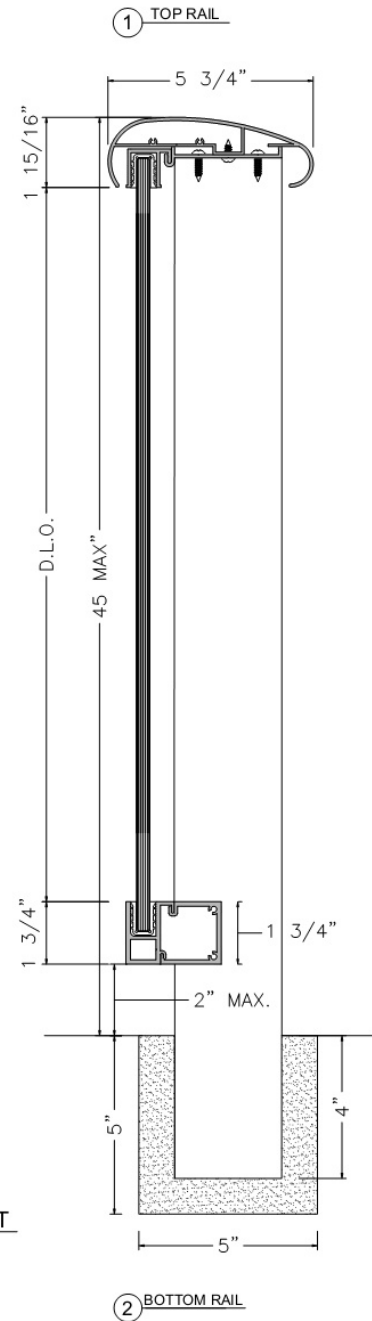
## Horizontal Section



## Esquinero



## Vertical Section



The first part of the document discusses the importance of maintaining accurate records in a business setting. It highlights how proper record-keeping can help in decision-making, legal compliance, and financial management. The text emphasizes that records should be organized, up-to-date, and easily accessible.

Next, the document addresses the challenges of data management in the digital age. It notes that while digital storage offers convenience, it also introduces risks such as data loss, security breaches, and information overload. Solutions like cloud storage, encryption, and regular backups are suggested to mitigate these risks.

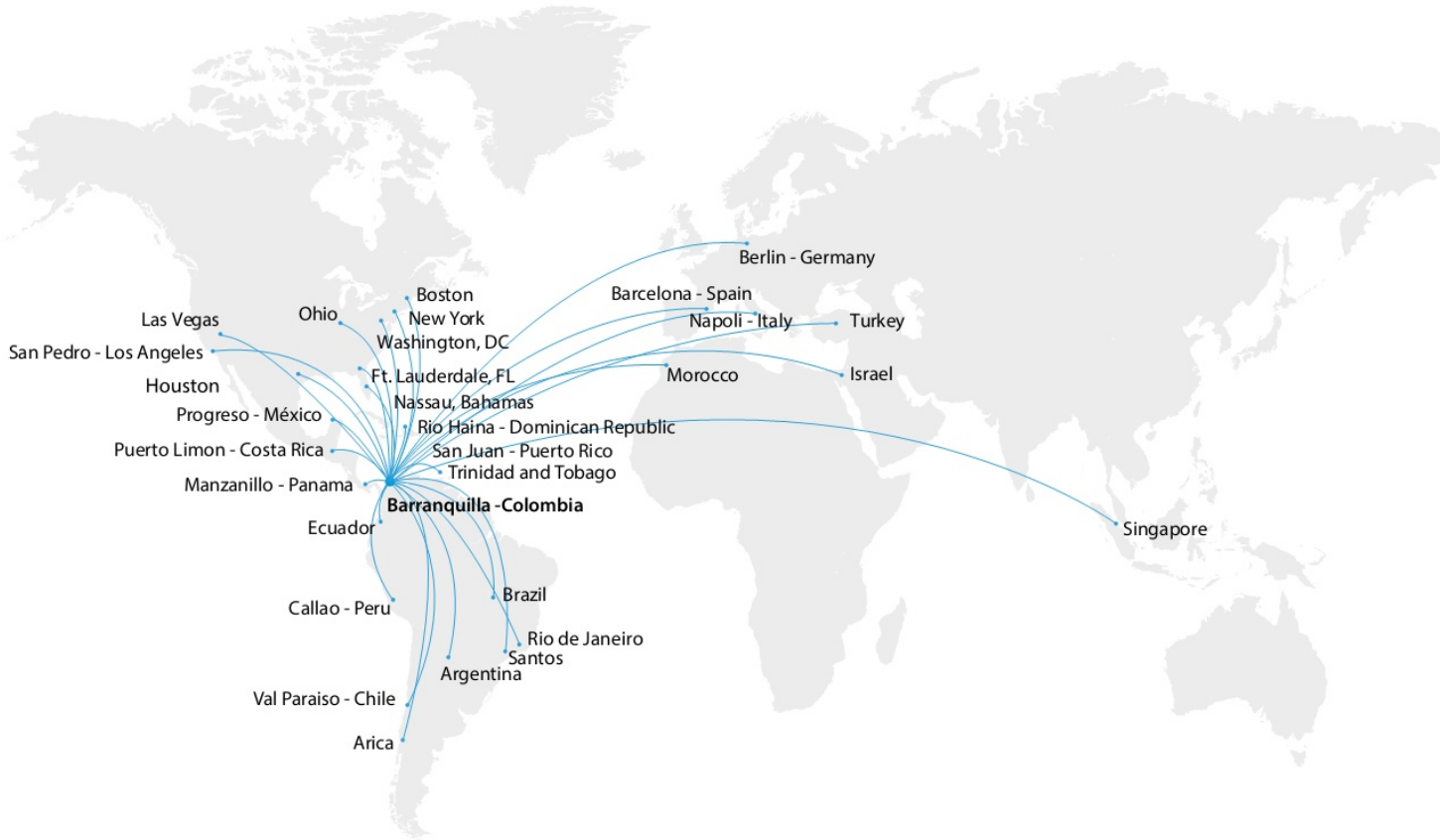
The third section focuses on the role of technology in streamlining business processes. It describes how automation and software tools can reduce manual errors, save time, and improve overall efficiency. Examples include using accounting software for invoicing and project management tools for task delegation.

Finally, the document concludes by stressing the importance of employee training and awareness. It suggests that regular training sessions can help employees understand the correct use of technology and the importance of data security. A culture of continuous learning is presented as essential for staying competitive in a rapidly changing market.

## MEETING THE DEMAND FOR BETTER QUALITY

Strategically located in the northern end of South America, in the Colombian Caribbean coast, the Tecnoglass group (Tecnoglass, Alutions and ESWindows) is fully integrated and controls the manufacturing process from beginning to end. Therefore, we can guarantee our customers in the Americas, and other locations around the world the best quality, one source warranty and superb service at competitive prices.

We don't perform random quality control on our products, we inspect every single one of them.



For more information please visit our website at [www.eswindows.com](http://www.eswindows.com) or contact us at [sales@eswindows.com](mailto:sales@eswindows.com)

[www.tecnoglass.com](http://www.tecnoglass.com) - [www.eswindows.com](http://www.eswindows.com)

