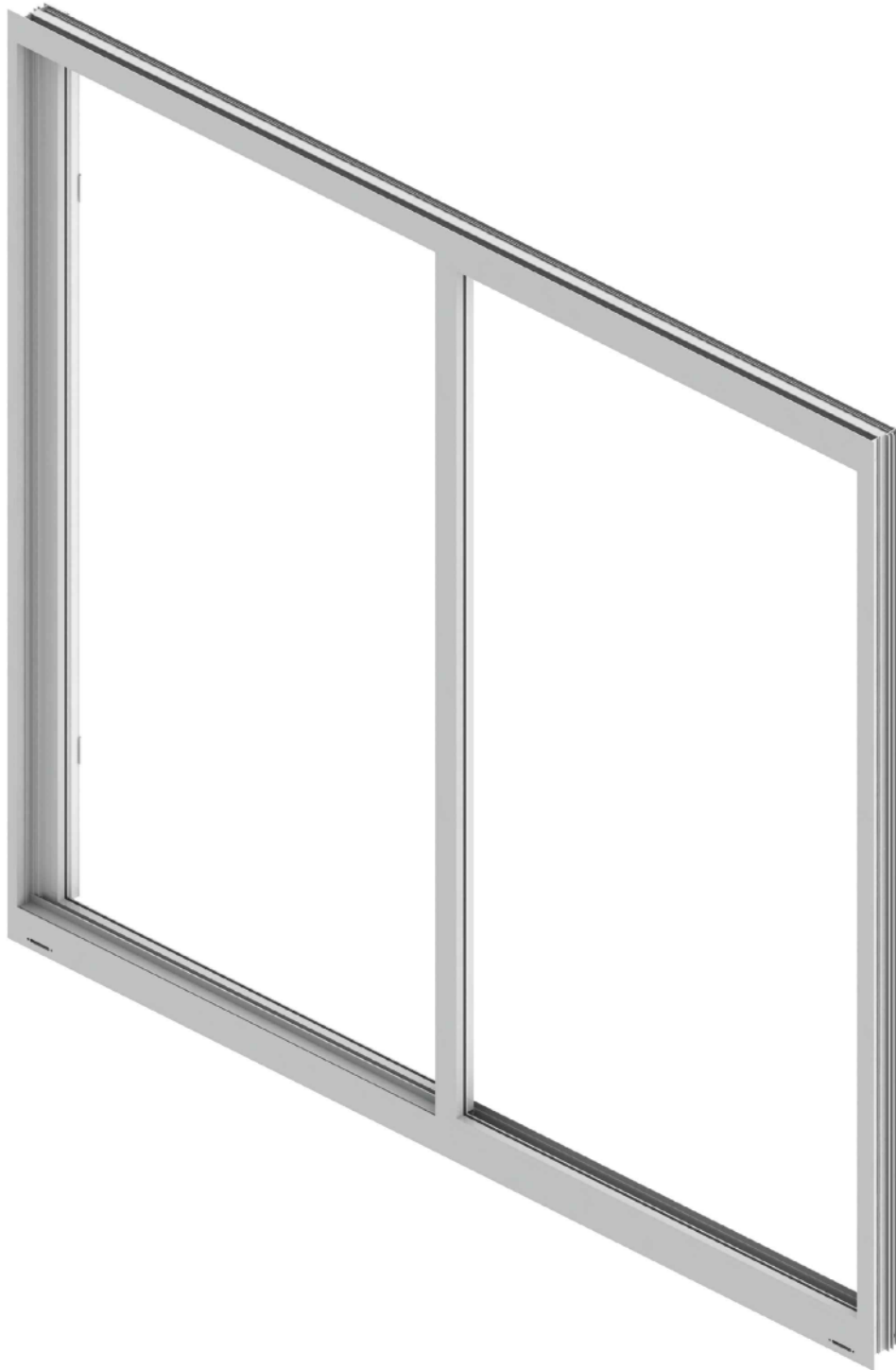


# ES-EL200



# HSEQ REGULATIONS

Read all instructions carefully before attempting this procedure. If you have any questions about your ability to complete this procedure, contact ESWINDOWS for further direction.

If swing stages are required for installation, the HSEQ inspector must approve the permissions.

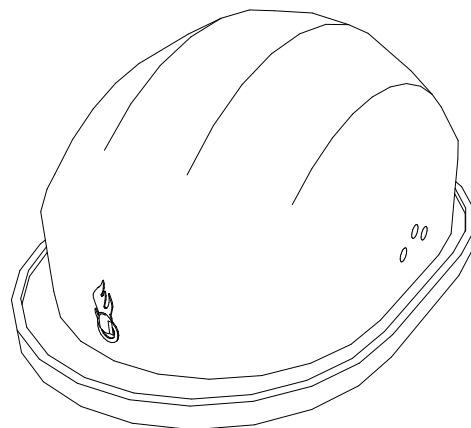
- Wear the necessary personal protective equipment for product installation.
- Take safety precautions when performing the activity.
- Please follow the steps and make sure you have appropriate personal protective equipment and follow the rules established by the guidance for working at height, if required to do so.

## INTRODUCTION

ES-EL200 is a sliding glass window system.

This guide illustrates step by step the correct way to install the system.

Prior to installation process check that all parts and materials are in right conditions, verify that the quantities and descriptions match production drawings.



# INSTALLATION INSTRUCTIONS

TOOLS AND SUPPLIES REQUIRED FOR INSTALLATION.....Page. 2

PARTS REQUIRED FOR INSTALLATION.....Page. 3

INSTALLATION

STEP 1  
INSPECTION AND VERIFICATION.....Page. 4

STEP 2  
REMOVE SLIDING PANEL.....Page. 5,6

STEP 3  
WOOD BUCKS INSTALLATION .....Page. 7

STEP 4  
FRAME INSTALLATION .....Page. 8,9

STEP 5  
INSTALLATION OF FOAMS AND COVERS.....Page. 10

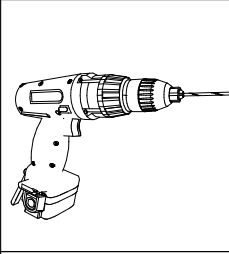
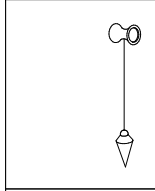
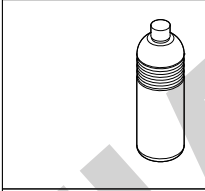
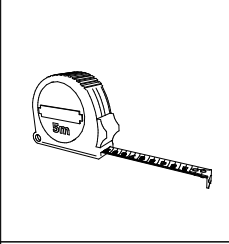
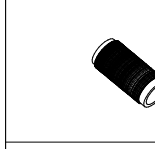
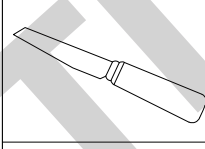
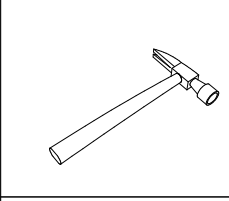
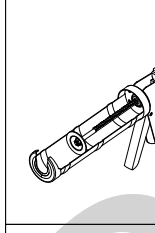
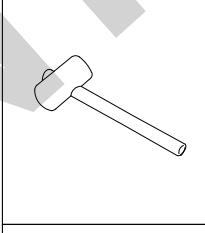
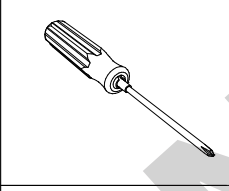
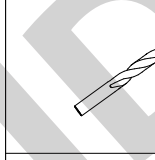
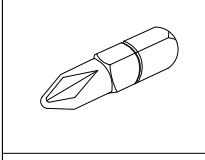
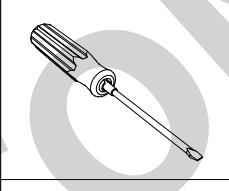
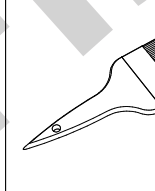
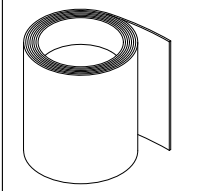
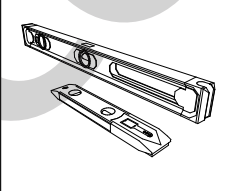
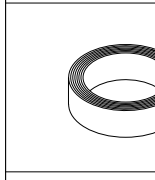
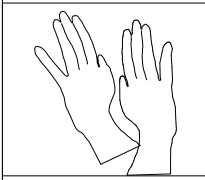
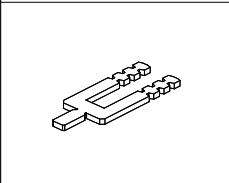
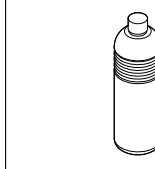
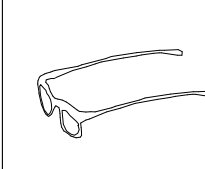
STEP 6  
INSTALL PANEL .....Page. 11,12



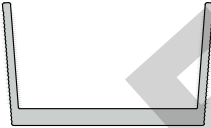


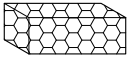
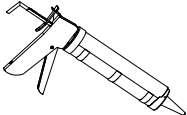
STEP 7  
INSTALLATION OF SILL RAISER .....Page. 13

STEP 8  
PERIMETER SEAL.....Page. 14

REVIEW

## TOOLS AND SUPPLIES FOR INSTALLATION

Detail	Description	Detail	Description	Detail	Description
	Drill		Plumb		Thinner
	Measure tape		Thread		Knife
	Hammer		Industrial Silicone gun		Mallet
	Phillips screwdriver		Bits for concrete		Point
	Slot screwdriver		Brush		Clean rag
	Level		Masking tape		Safety gloves
	Plastic shims		Isopropyl alcohol		Safety glasses

PARTS REQUIRED FOR INSTALLATION		
PART	DETAIL	DESCRIPTION
ES-EL113A		JAMB SCREW COVER
ES-EL114		HEAD SCREW COVER
EL100-301		SASH STOP
ES-EL202		SILL TRACK
ES-2011		SILL RISER
WPSA-N1		RETIC FOAM 3/4" X 3/4"
D.S 791 OR EQUAL		WEATHERPROOFING SEALANT

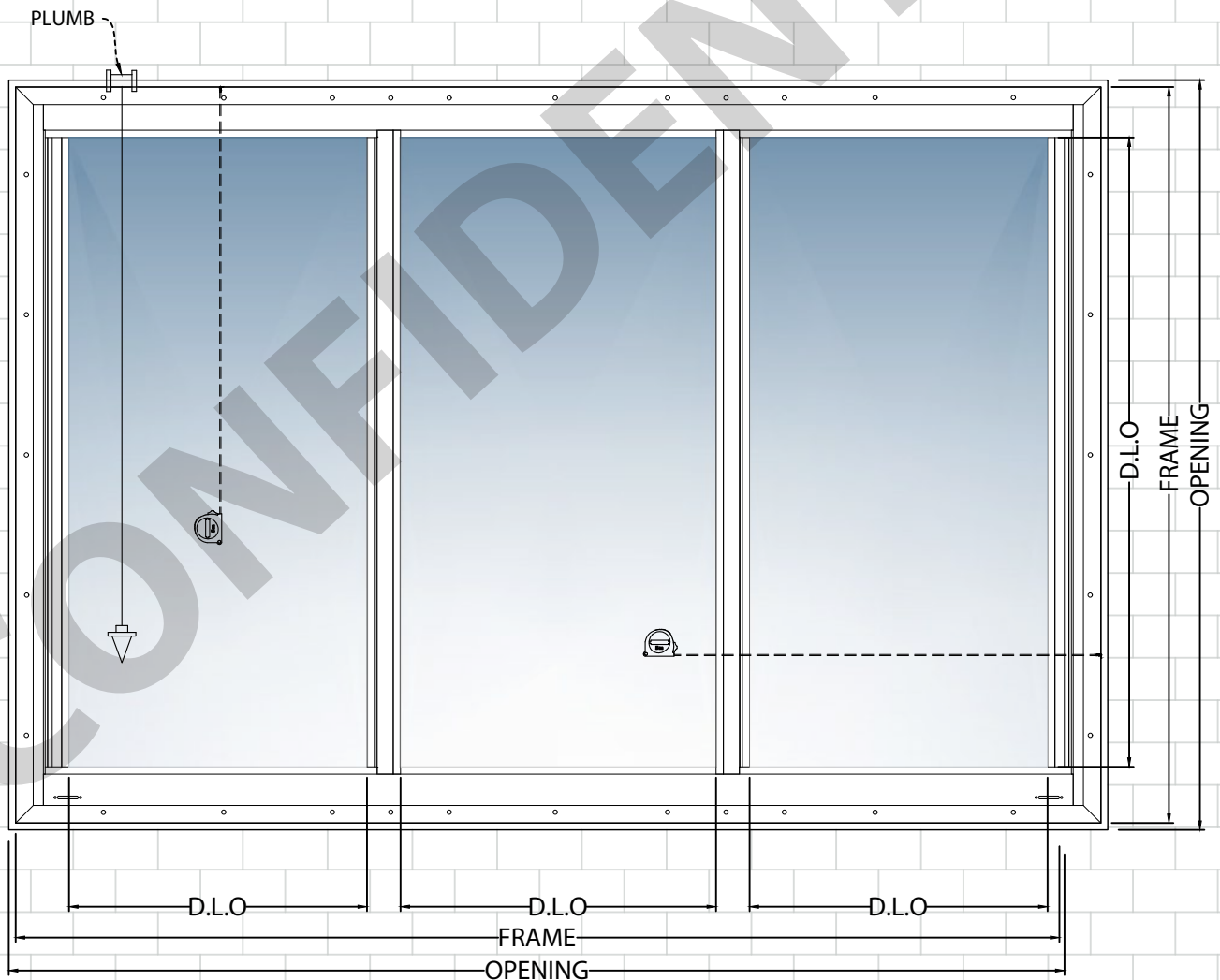


Check the technical manuals and guides by sealant manufacturers to apply silicone correctly.

# STEP 1

## INSPECTION AND VERIFICATION:

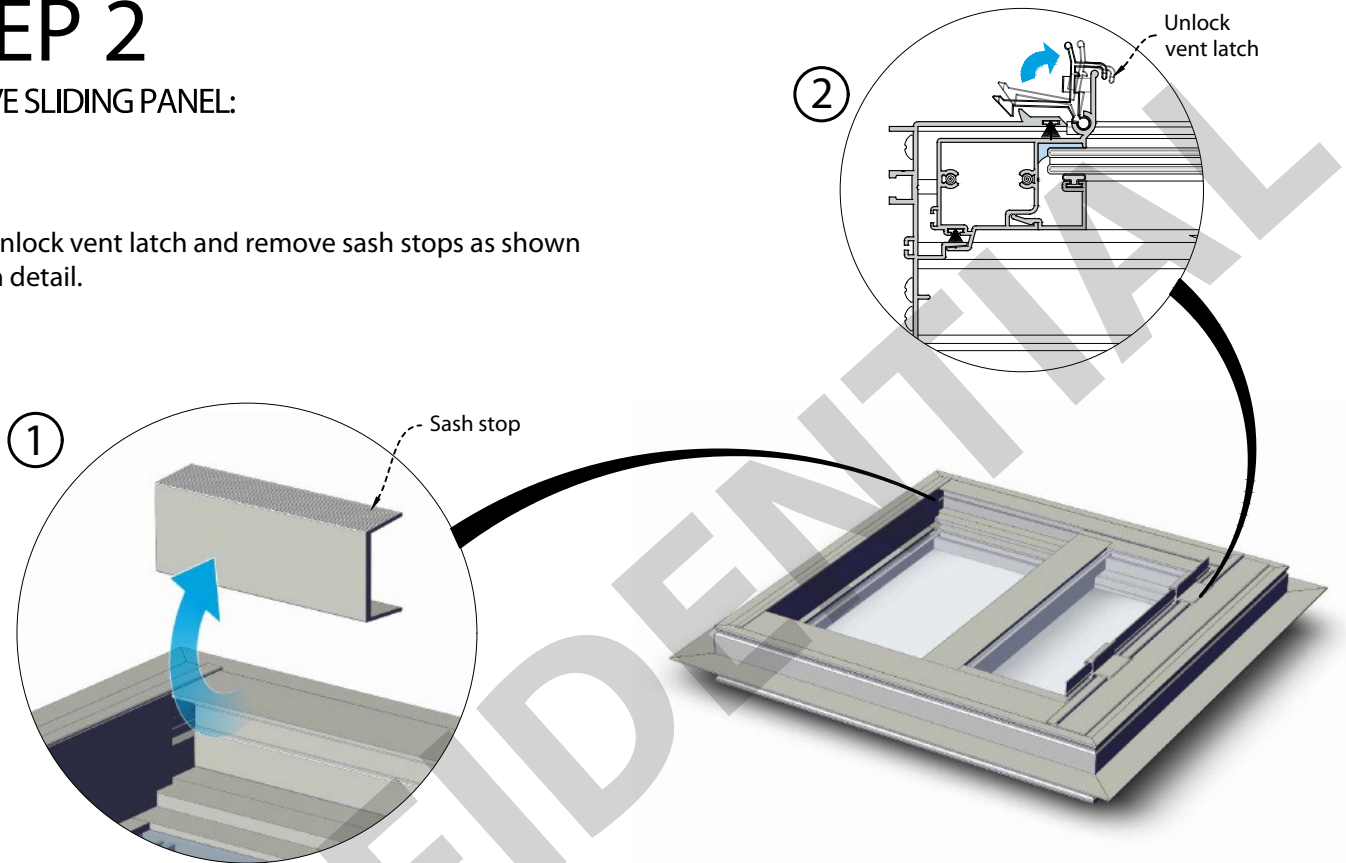
- 1.1 The rough opening should be checked for the correct size as determined by dimensions listed in the architectural specifications and the shop drawings. Measure rough opening in several places to determine variations.
- 1.2 Check all the material upon arrival for quantity and damage.
- 1.3 Remove any debris that interferes with the proper installation of the unit.
- 1.4 If you notice any irregularities, notify ESWINDOWS.



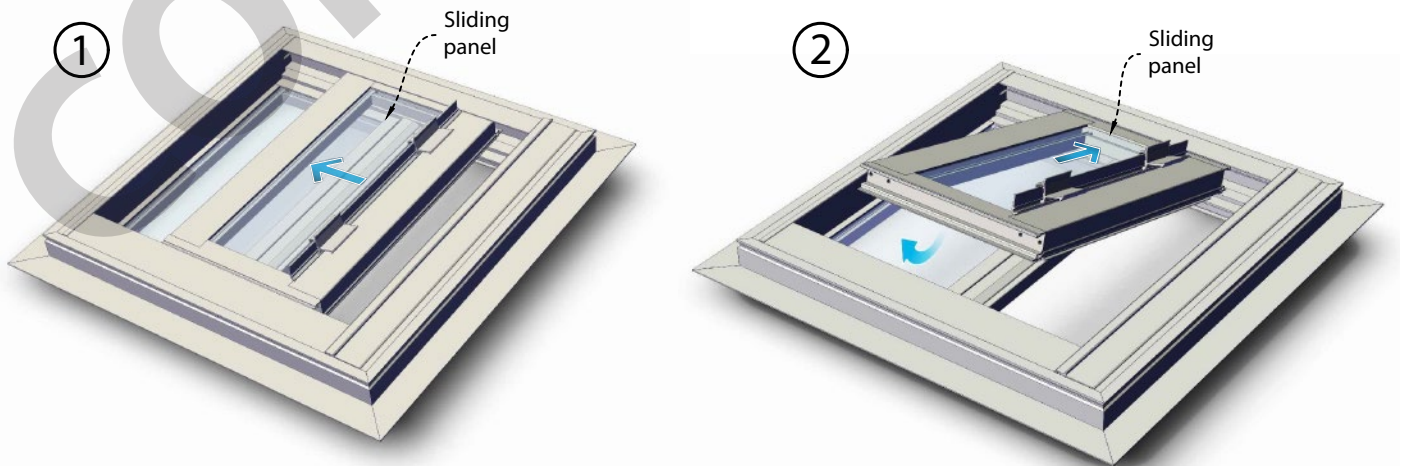
# STEP 2

## REMOVE SLIDING PANEL:

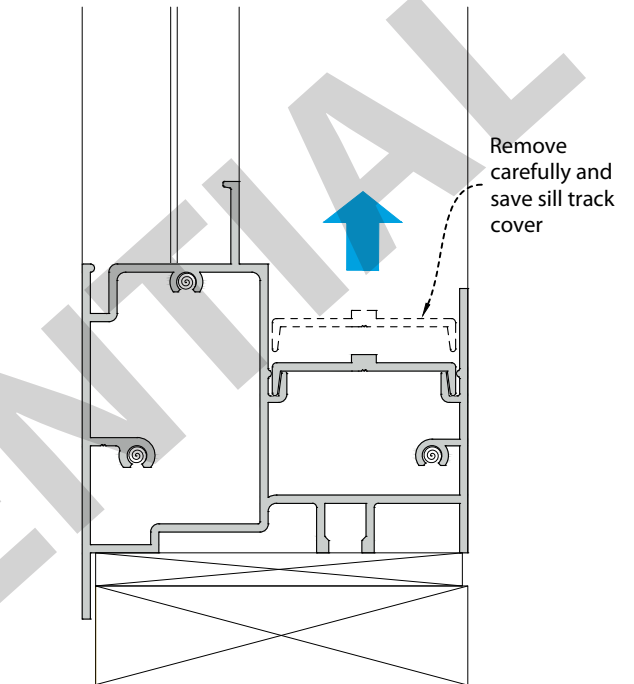
2.1. Unlock vent latch and remove sash stops as shown in detail.



2.2. Move sliding panel towards the center of the frame, lift it and take it out as shown in detail below.



- 2.3. Prior to frame installation remove sill track cover in order to install anchor screws.

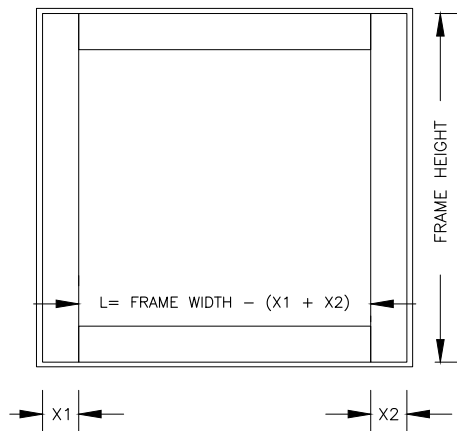




# STEP 3

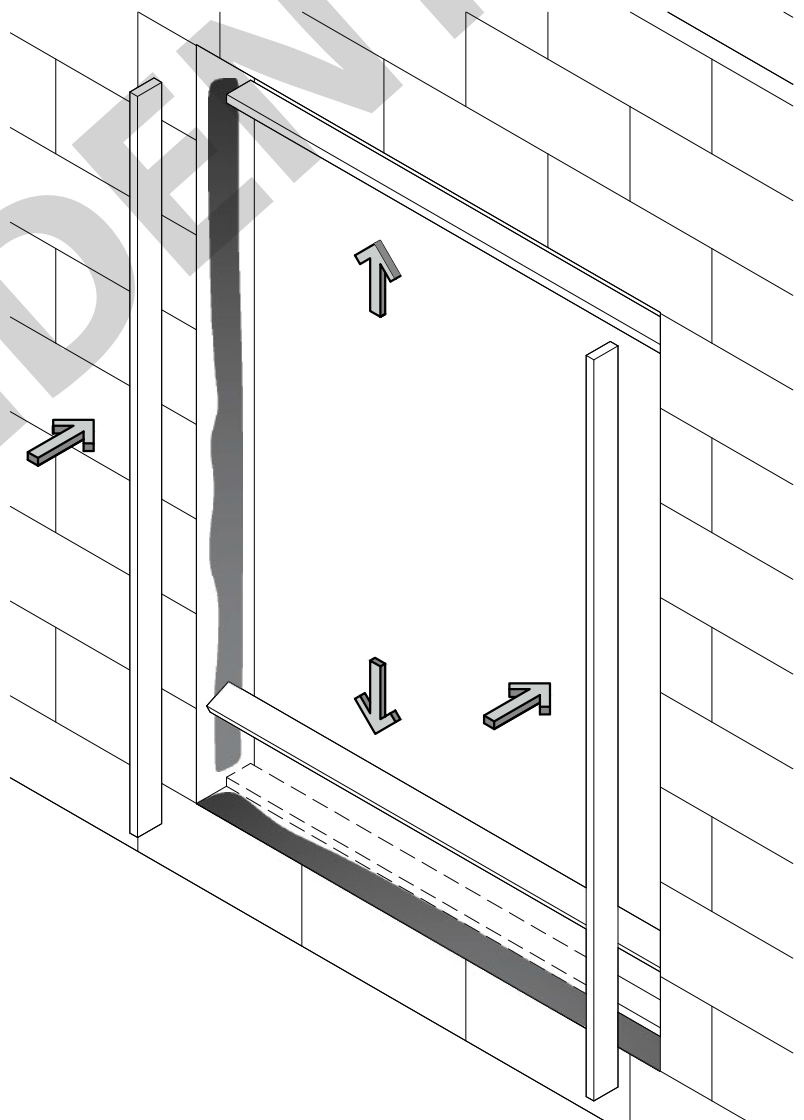
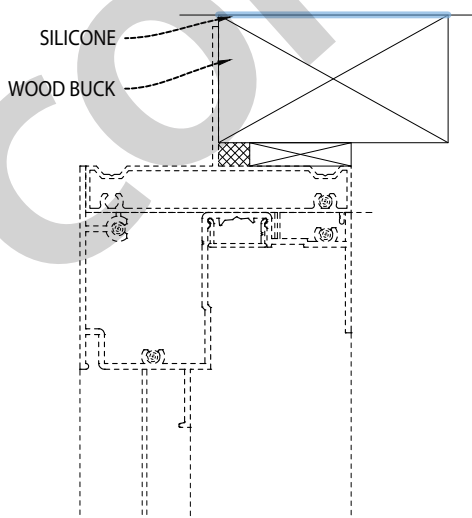
## WOOD BUCKS INSTALLATION:

Preparation: cut wood bucks as required. Follow detail below.



Verify the architectural specifications in the shop drawings for information about the need of wood buck installation.

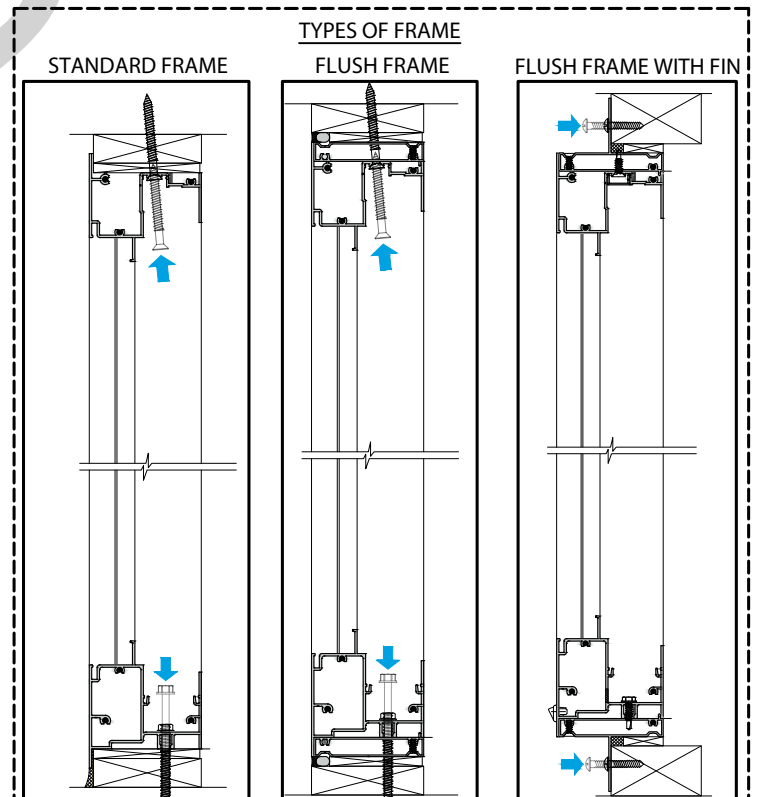
- 3.1. Clean the faces to be in contact with the sealant.
- 3.2. Apply waterproofing sealant around the opening.
- 3.3. Place the wood bucks as shown in details.



# STEP 4

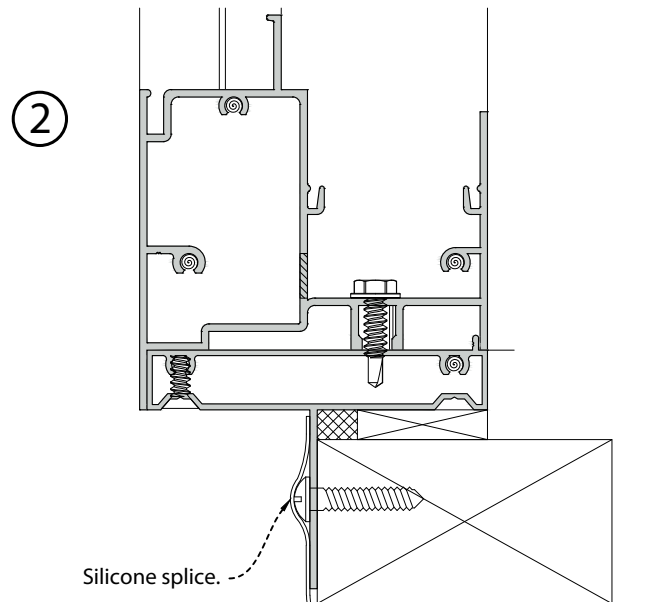
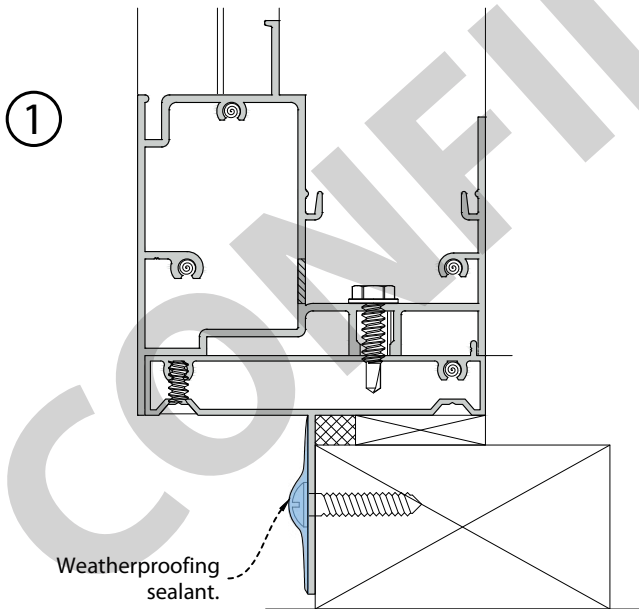
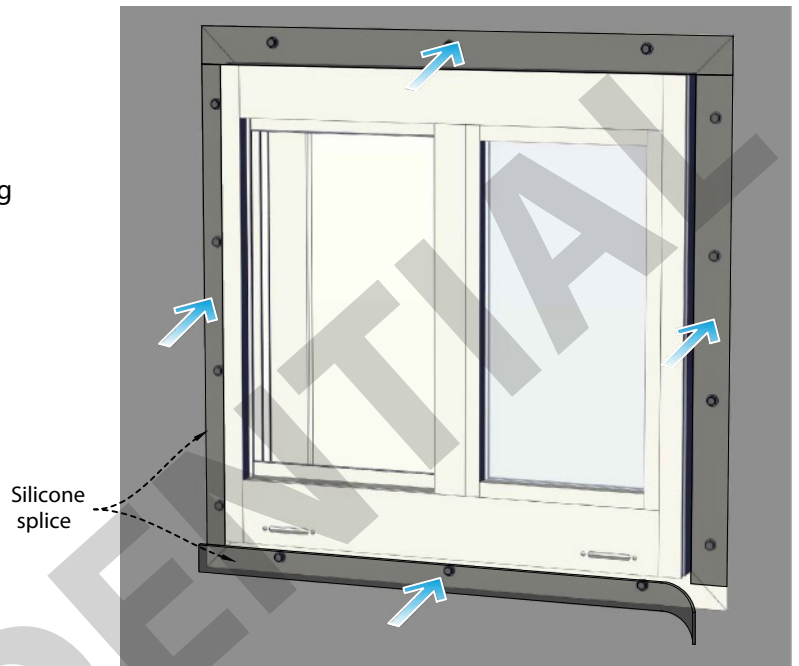
## FRAME INSTALLATION:

- 4.1. Identify the type of frame to install between standard frame and flush frame with fin.
- 4.2. Clean the opening and place the frame in it (for standard frame and flush frame with fin install from outside of the building). Level the frame using hi-impact plastic shims.
- 4.3. Verify the squareness of the frame with the help of a plumb and a measuring tape.
- 4.4. Use frame holes as a guide to install anchor screws. Apply weatherproofing sealant to sill screws bodies prior to installation.



4.4. For flush frame with fin, apply weatherproofing sealant around the frame and install silicone splice as shown in detail.

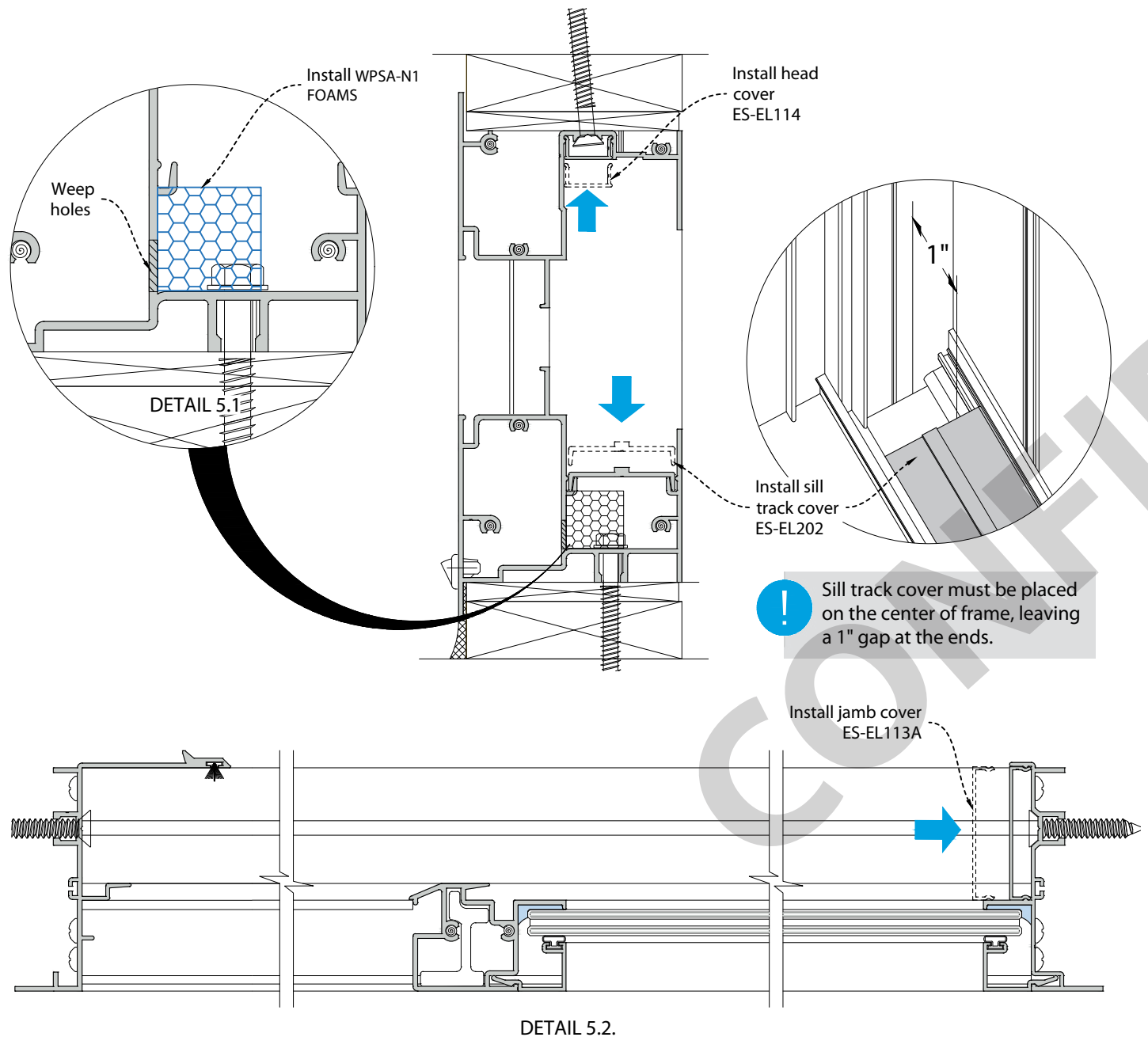
Don't allow sealant to cure for silicone splice installation.



# STEP 5

## INSTALLATION OF FOAMS AND COVERS:

- 5.1. Install WPSA-N1 foams in front of weep holes.
- 5.2. Install frame covers as shown in detail below.



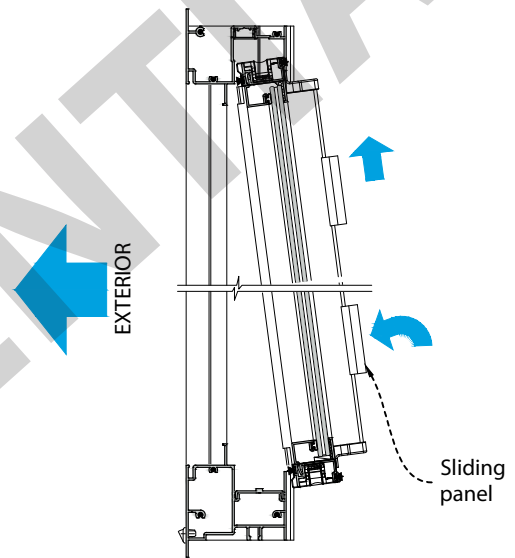
# STEP 6

## INSTALL PANEL:

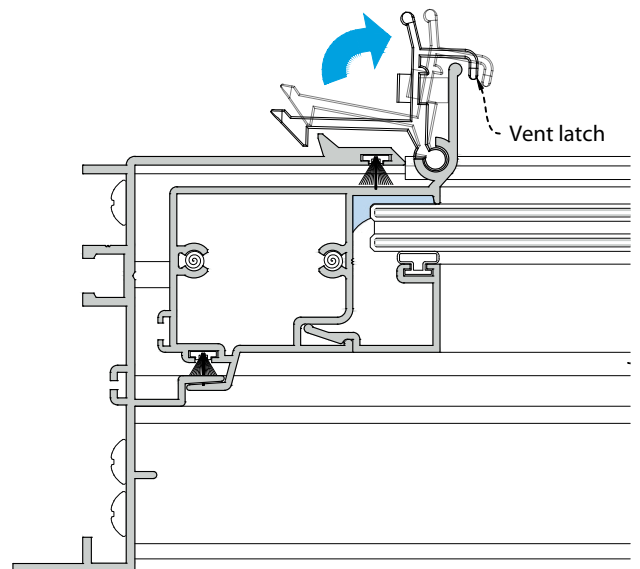
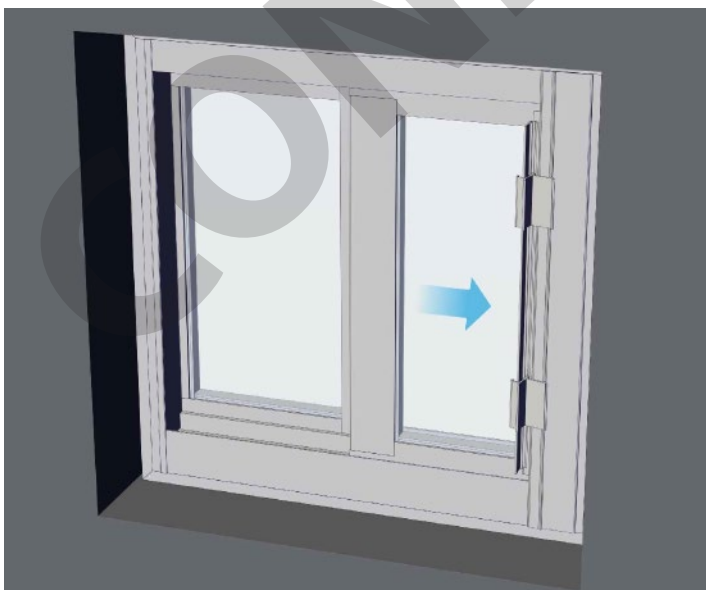
6.1. Install sliding panel from the inside of the building.



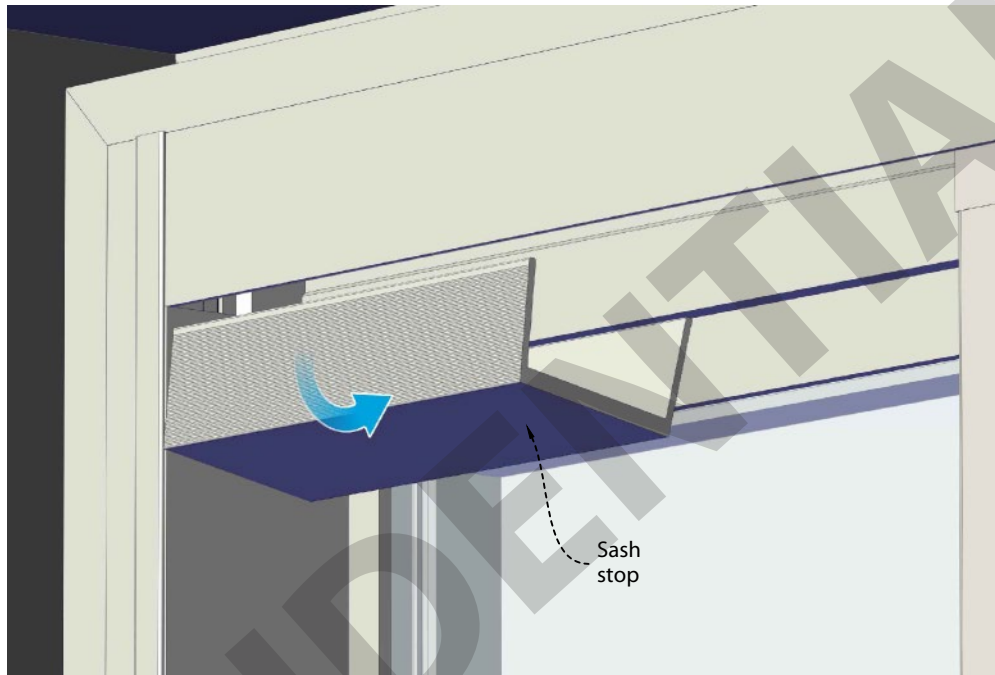
Installation sequence may vary according to the door configurations.



6.2. Slide panel and lock vent latch.



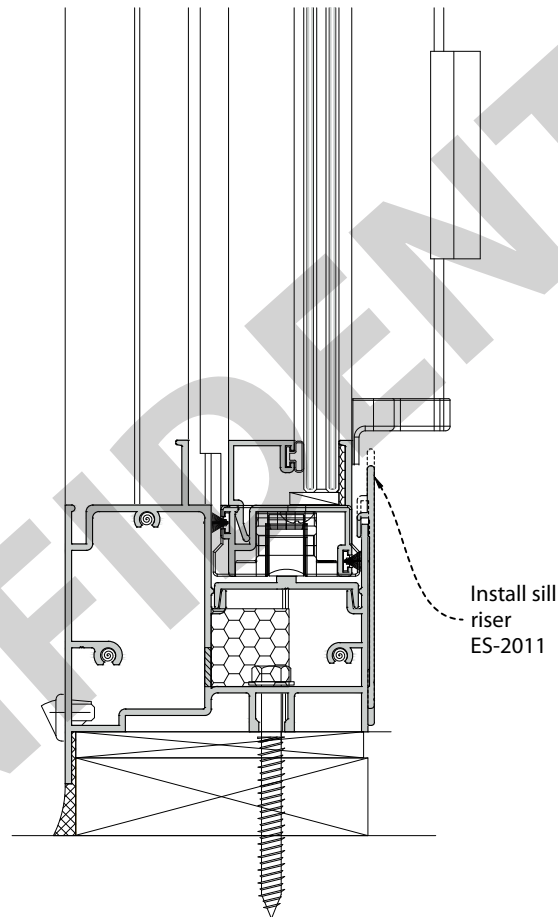
6.3. Insert sash stop into the frame.



# STEP 7

## INSTALLATION OF SILL RAISER (ONLY IF REQUIRED):

7.1. Install sill raiser if required .

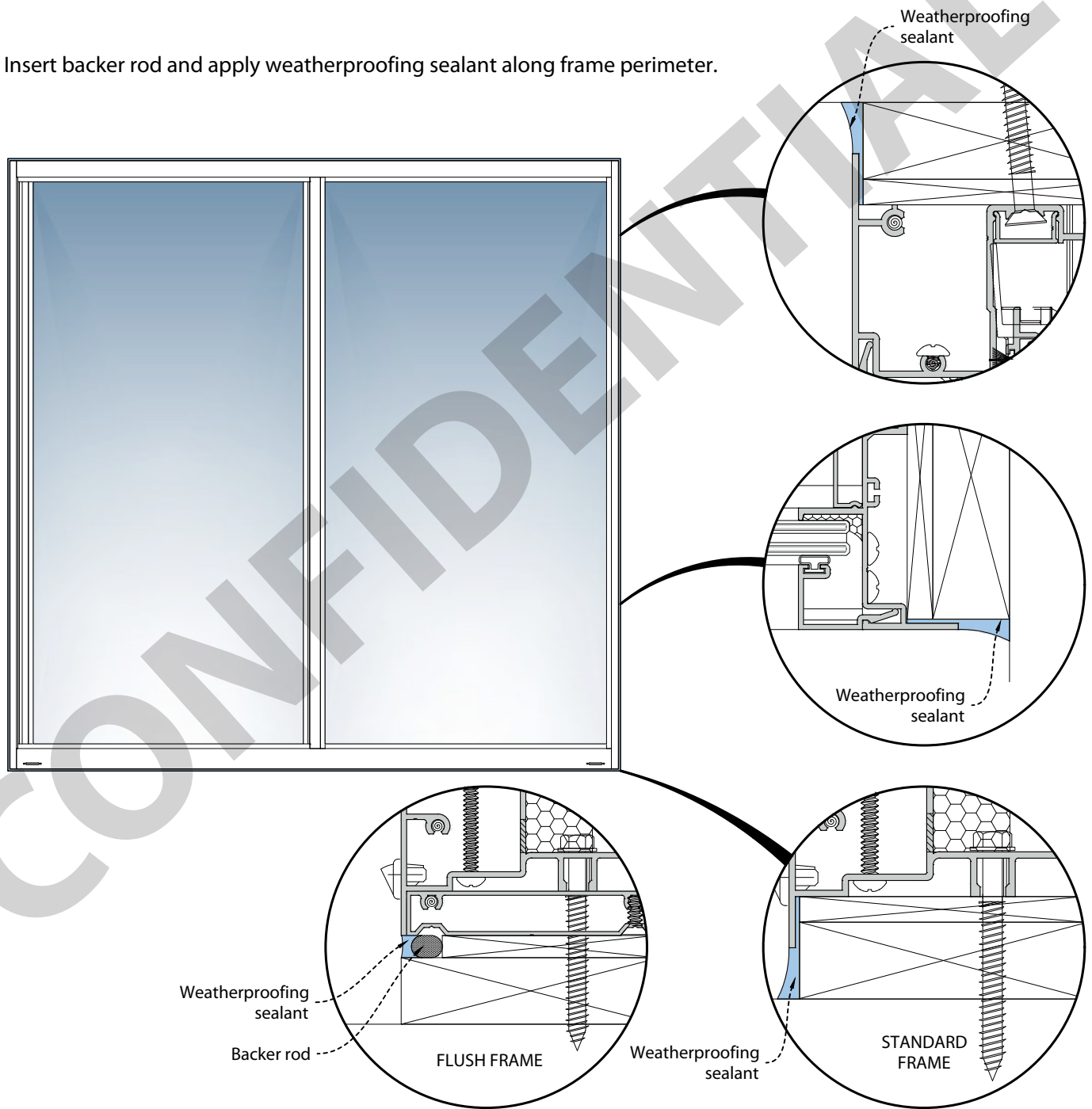


Lift panel to install sill riser.

# STEP 8

## PERIMETER SEAL:

8.1. Insert backer rod and apply weatherproofing sealant along frame perimeter.





REVISION No.	DATE	DESCRIPTION	BY.	PAGE.
2	17-08-2019	SILL COVER INSTALLATION NOTE ADDED (INSTALL ON THE CENTER LEAVING A 1" GAP AT THE ENDS)	E.S.	10.
△				
△				
△				
△				
△				
△				
△				
△				
△				

Av. Circunvalar a 100 mts de la Via 40 Las Flores  
Barranquilla, Colombia PBX: (57 5) 3664600  
service@eswllc.com, PBX: (+1) 305 5074545

BY Sariel González.