

# ES-H340

## THERMAL HUNG WINDOW



**ENERGÍA SOLAR**  
**ESWINDOWS**

# HSEQ REGULATIONS

Read all instructions carefully before attempting this procedure. If you have any questions about your ability to complete this procedure, contact ESWINDOWS for further direction.

If swing stages are required for installation, the HSEQ inspector must approve the permissions.

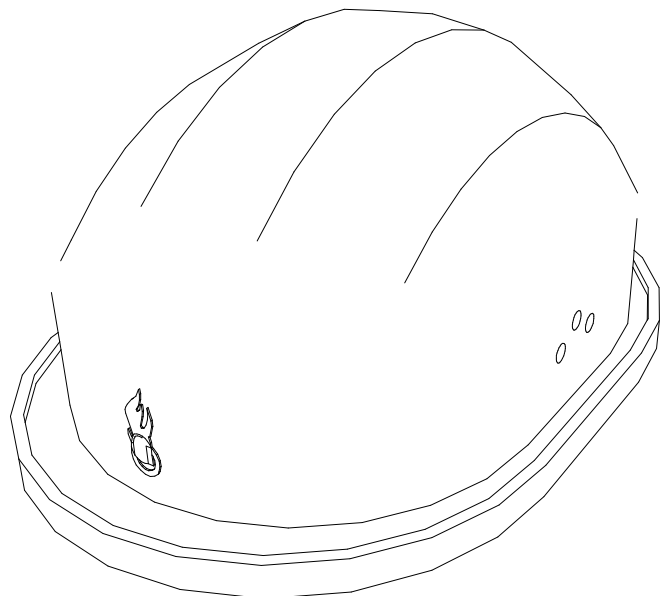
- Wear the necessary personal protective equipment for product installation.
- Take safety precautions when performing the activity.
- Please follow the steps and make sure you have appropriate personal protective equipment and follow the rules established by the guidance for working at height, if required to do so.

## INTRODUCTION

ES-H340 is a single hung window system, thermally broken.

This guide illustrates step by step the correct way to install the system.

Prior to installation check that all parts, glass and materials are in right conditions, verify that the quantities and descriptions match production planes.



**INSTALLATION INSTRUCTIONS**

TOOLS AND SUPPLIES REQUIRED FOR INSTALLATION ..... 2  
PARTS REQUIRED FOR INSTALLATION ..... 3

**INSTALLATION**

STEP 1  
  Inspection and verification ..... 4

STEP 2  
  Wood bucks Installation ..... 5

STEP 3  
  Remove Vent ..... 6

STEP 4  
  Install window ..... 7

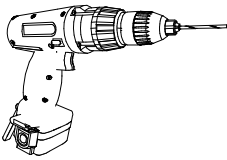

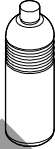
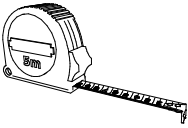

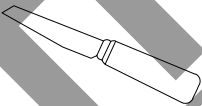
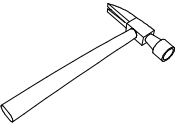
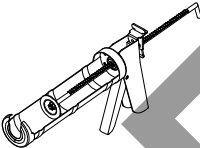
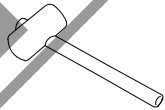
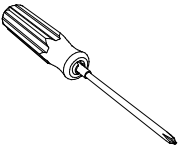

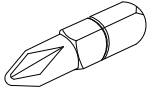
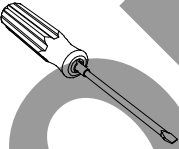
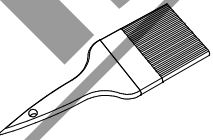
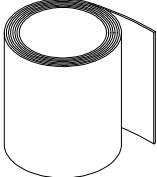
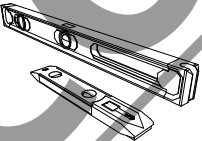
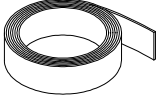
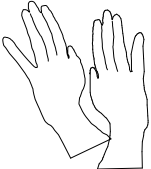
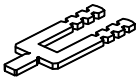
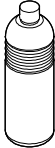
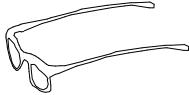
STEP 5  
  Install the cover ..... 8  
  Install the vent ..... 9

STEP 6  
  Seal Window Perimeter ..... 10







**REVIEW**

**CONFIDENTIAL**

**TOOLS AND SUPPLIES REQUIRED FOR INSTALLATION**

DETAIL	DESCRIPTION	DETAIL	DESCRIPTION	DETAIL	DESCRIPTION
	Drill		Plumb		Thinner
	Tape Measure		Thread		Knife
	Hammer		Silicone Gun		Rubber Hammer
	Phillips Screwdriver		Bits for Concrete		Points
	Slot Screwdriver		Brush		Clean rag
	Level		Masking tape		Gloves
	High impact plastic shims		Isopropyl Alcohol		Safety Glasses

**PARTS REQUIRED FOR INSTALLATION**

PART	DETAILS	DESCRIPTION
ES-H340-003		GLASS STOP
ES-H340-007		SCREEN ADAPTER / COVER
ES-H340-021		TRIM
ES-9502		COVER
ES-H340-PO1		SASH STOP
DC.791		WEATHERPROOFING

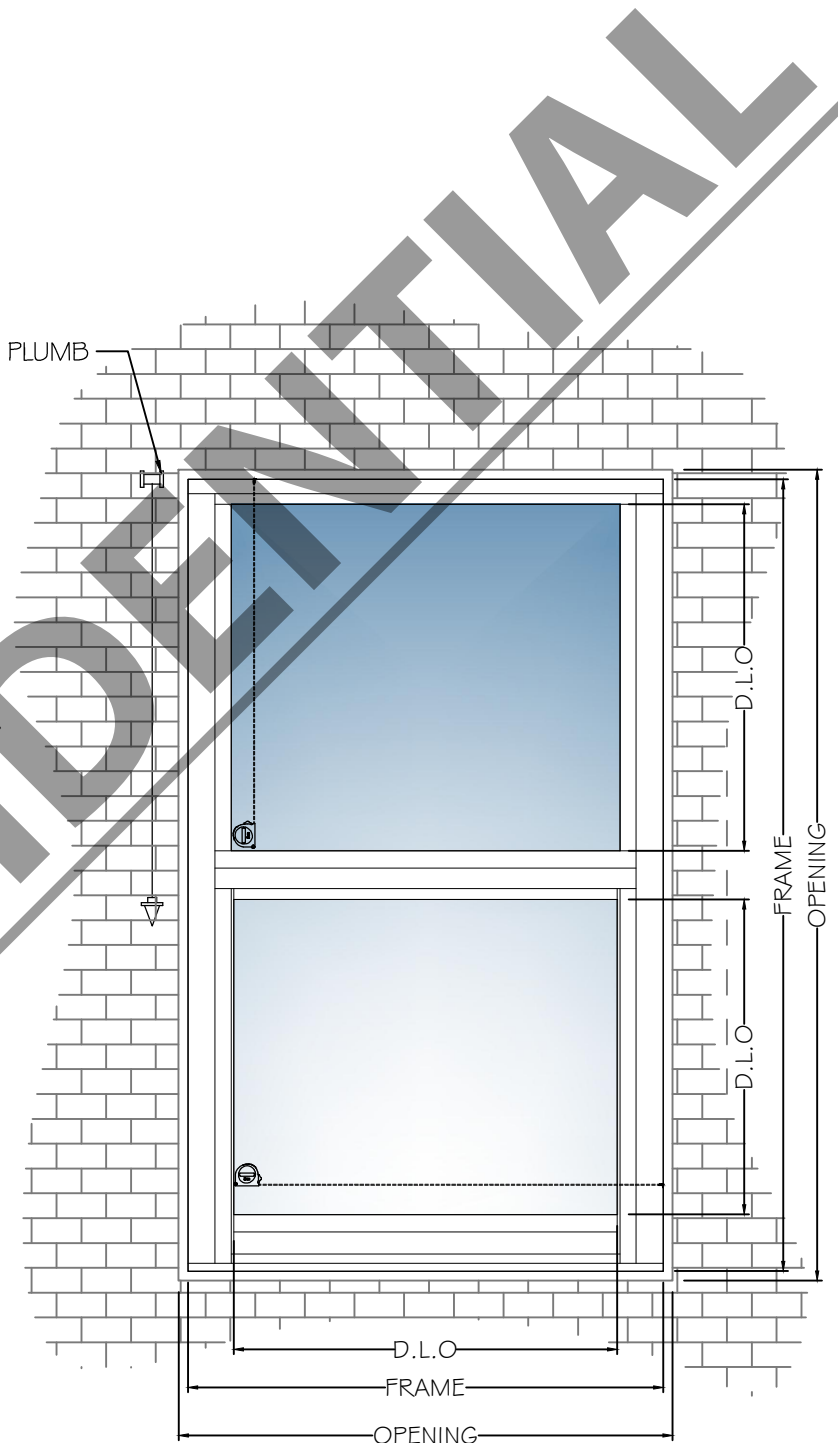


Check the technical manuals and guides by sealant manufacturers to apply silicone correctly.

# STEP 1

## INSPECTION AND VERIFICATION :

- 1.1 The rough opening should be checked for the correct size as determined by dimensions listed in the architectural specifications and the shop drawings. Measure rough opening in several places to determine variations.
- 1.2 Check all the material upon arrival for quantity and damage.
- 1.3 Remove all materials that interferes with the proper installation of the unit.
- 1.4 If you have any irregularities notify the general contractor.



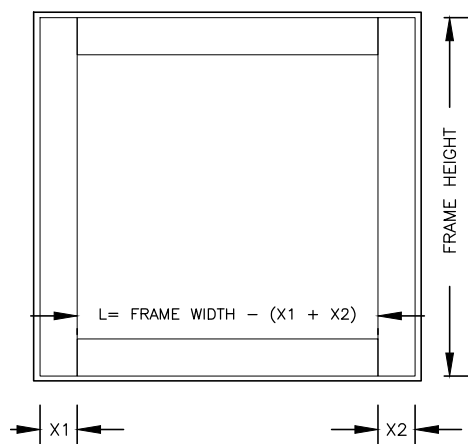
## STEP 2

WOOD BUCKS INSTALLATION (ONLY IF REQUIRED):

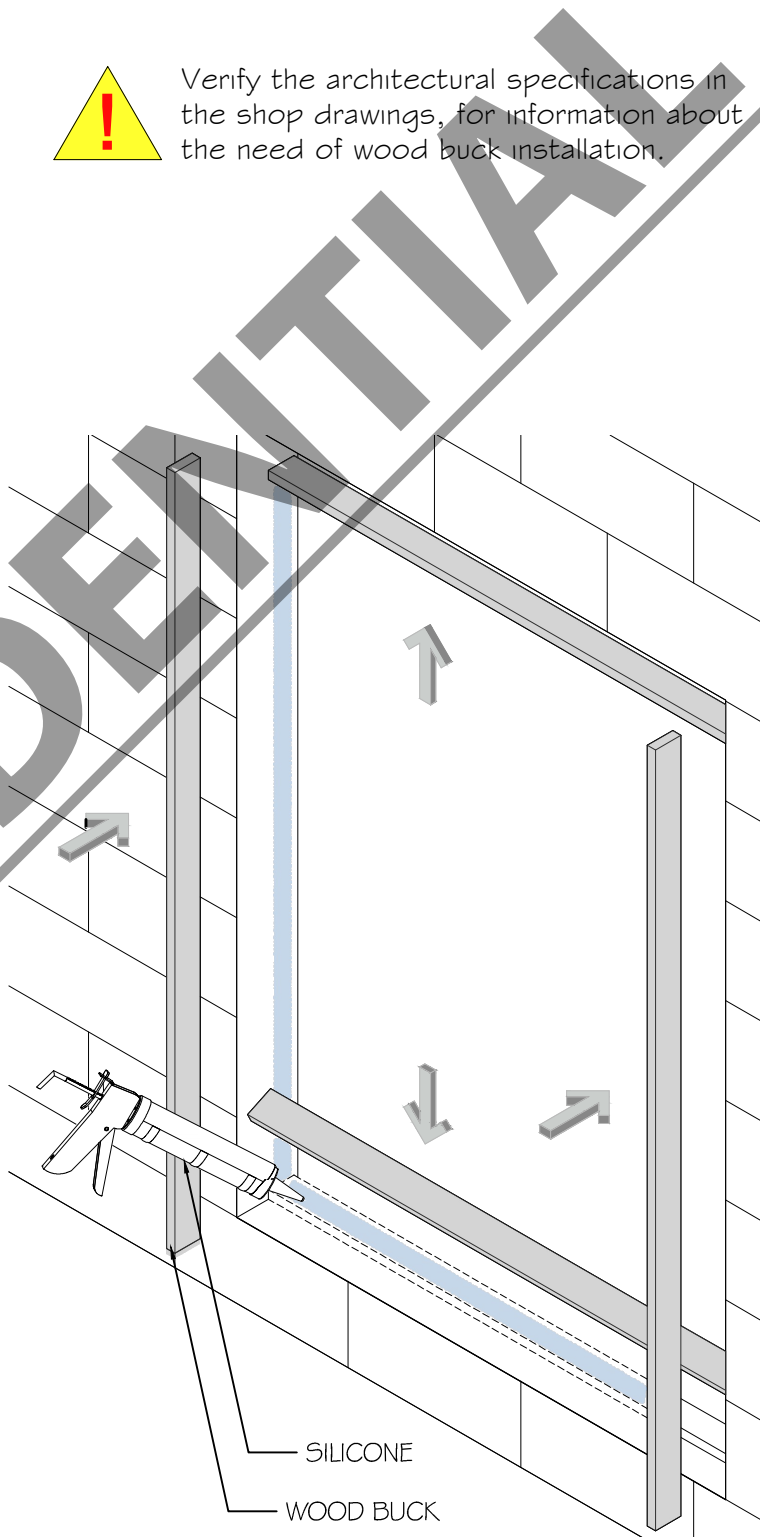
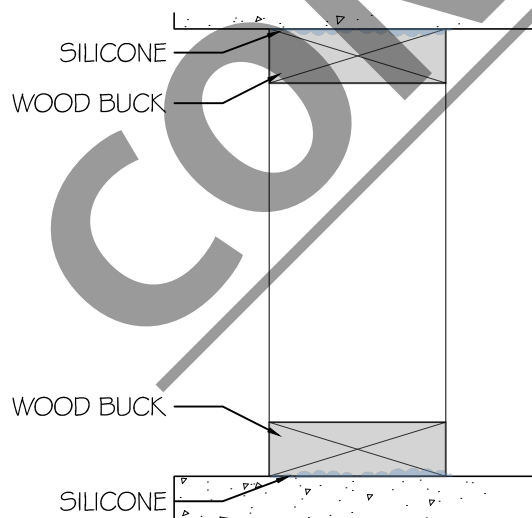
Preparation: cut wood bucks as required. follow detail below.



Verify the architectural specifications in the shop drawings, for information about the need of wood buck installation.



- 2.1. Clean the opening.
- 2.2. Clean the faces to be in contact with the sealant.
- 2.3. Apply silicone around the opening.
- 2.4. Place the wood bucks as shown in details.



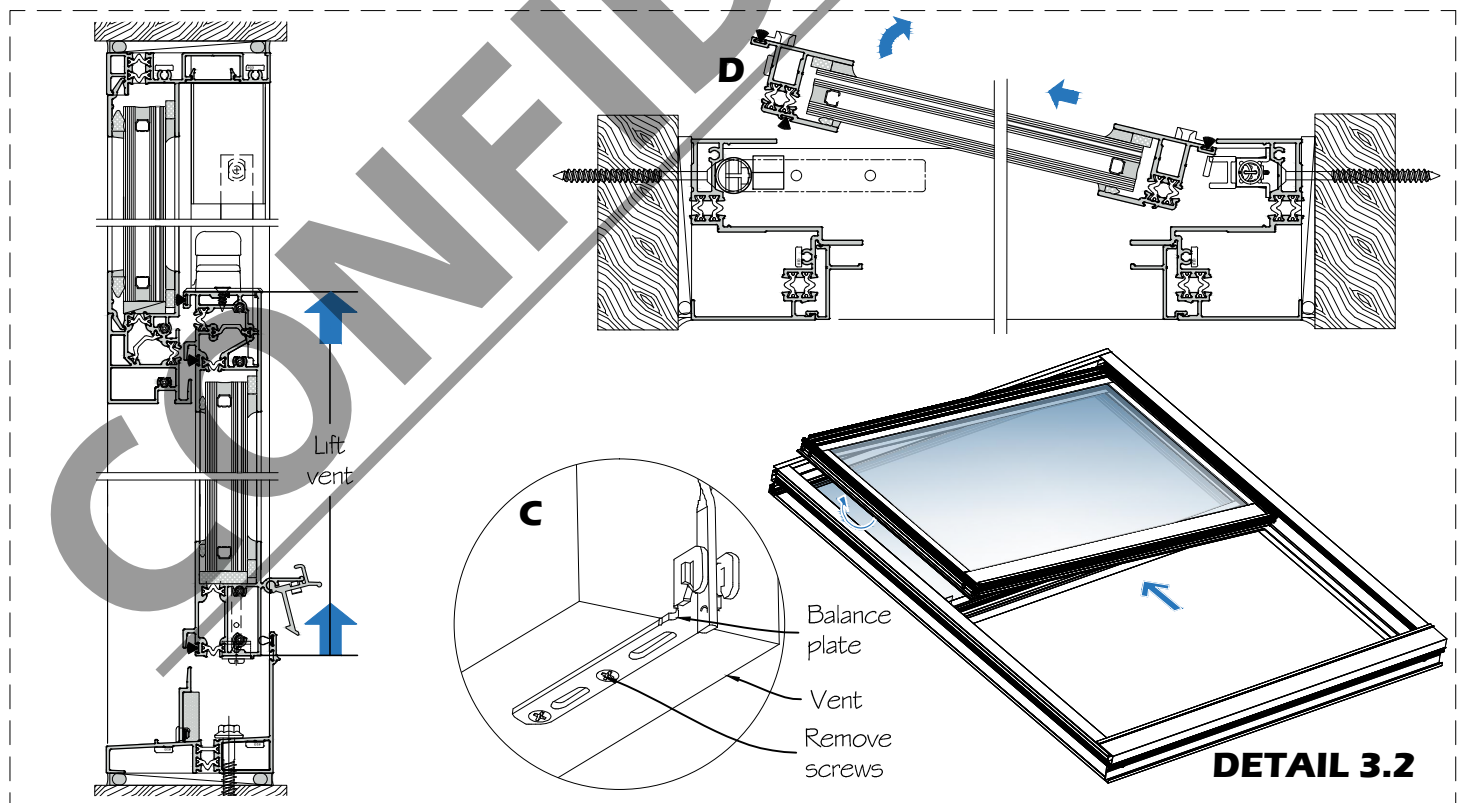
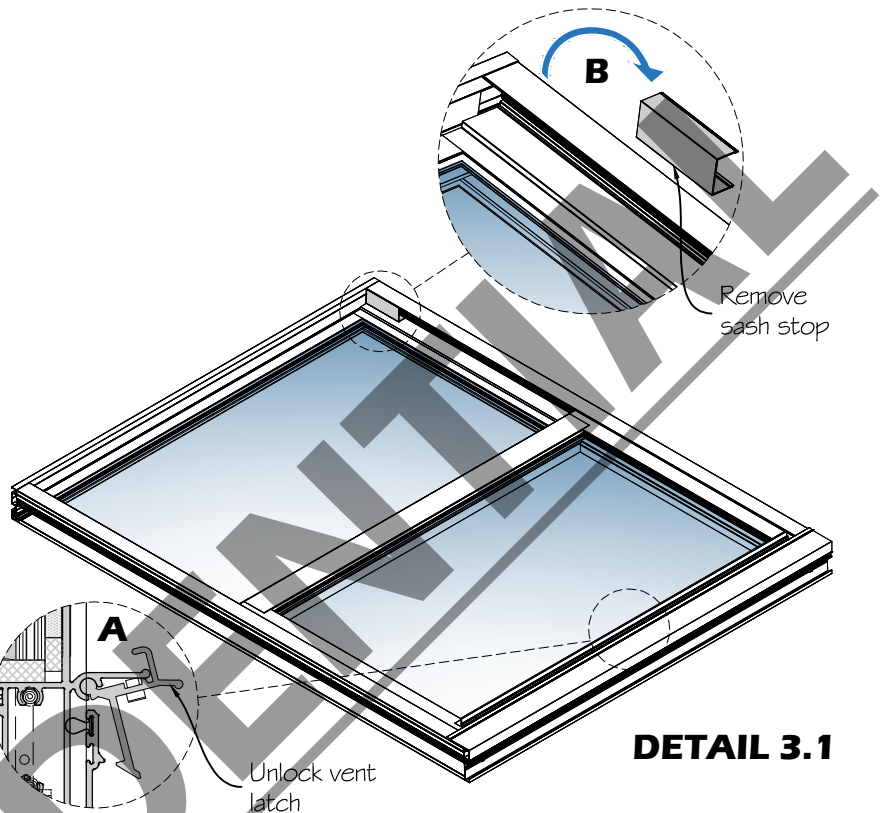
# STEP 3

Before frame installation remove vent:

- 3.1 Unlock vent latch (A) and remove sash stop (B).
- 3.2 Lift vent and remove screws from balance plate (C). Rotate vent to remove from frame (D).



Don't remove balance.



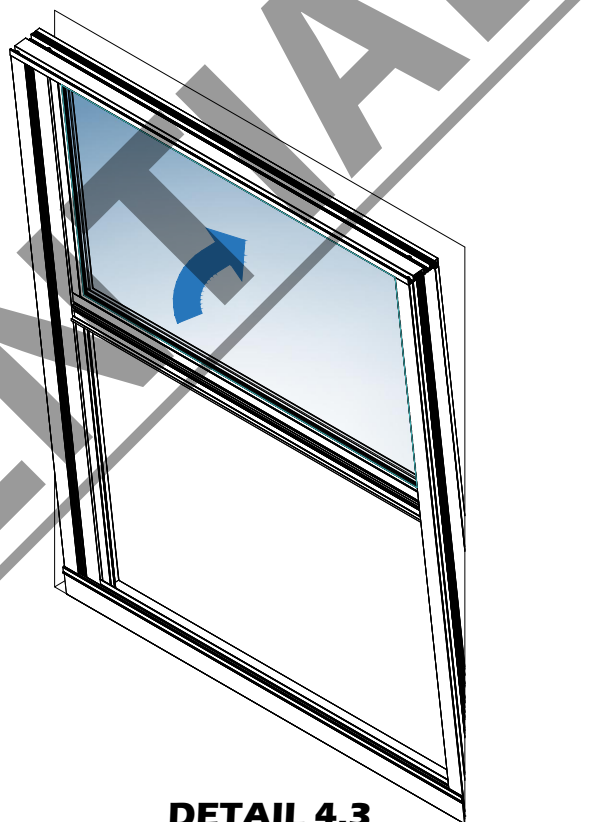


# STEP 4

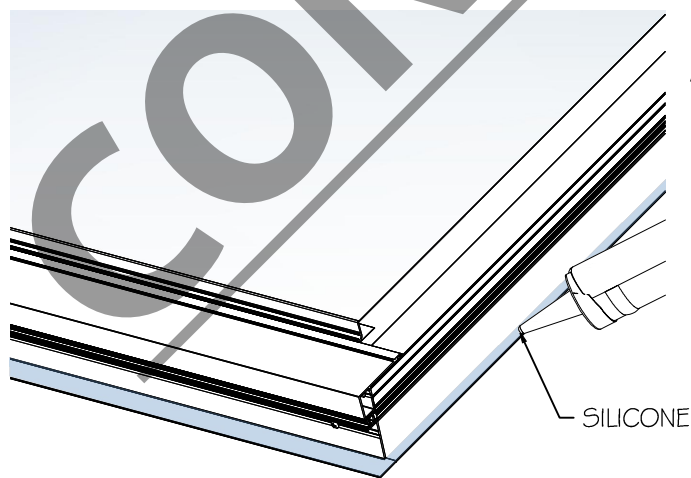
## INSTALL FRAME:

- 4.1 Clean edges of the window; clean the opening and place the frame in it.
- 4.2 In case that the specification include wooden bucks apply silicone around the frame as shown in detail.
- 4.3 If not place the window in the opening.
- 4.4 Level, plumb and square the window, using hi-impact plastic shims. Never use anything else to level it.

Fix the window with the required screws in the the shop drawings.

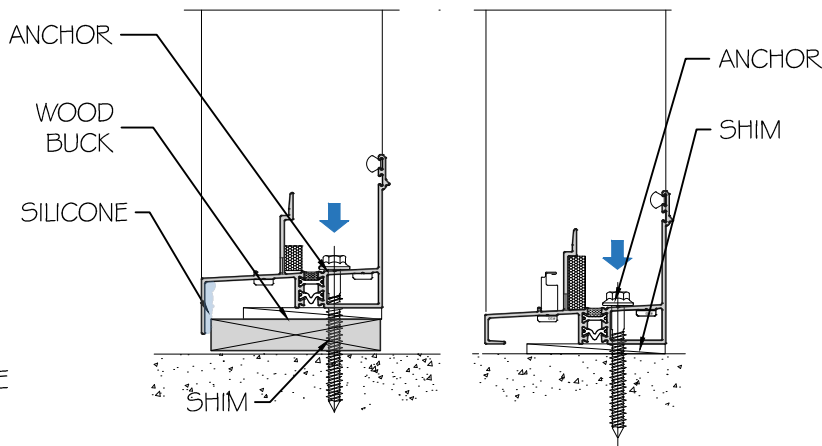


**DETAIL 4.3**



**DETAIL 4.2**

### Sill With Leg

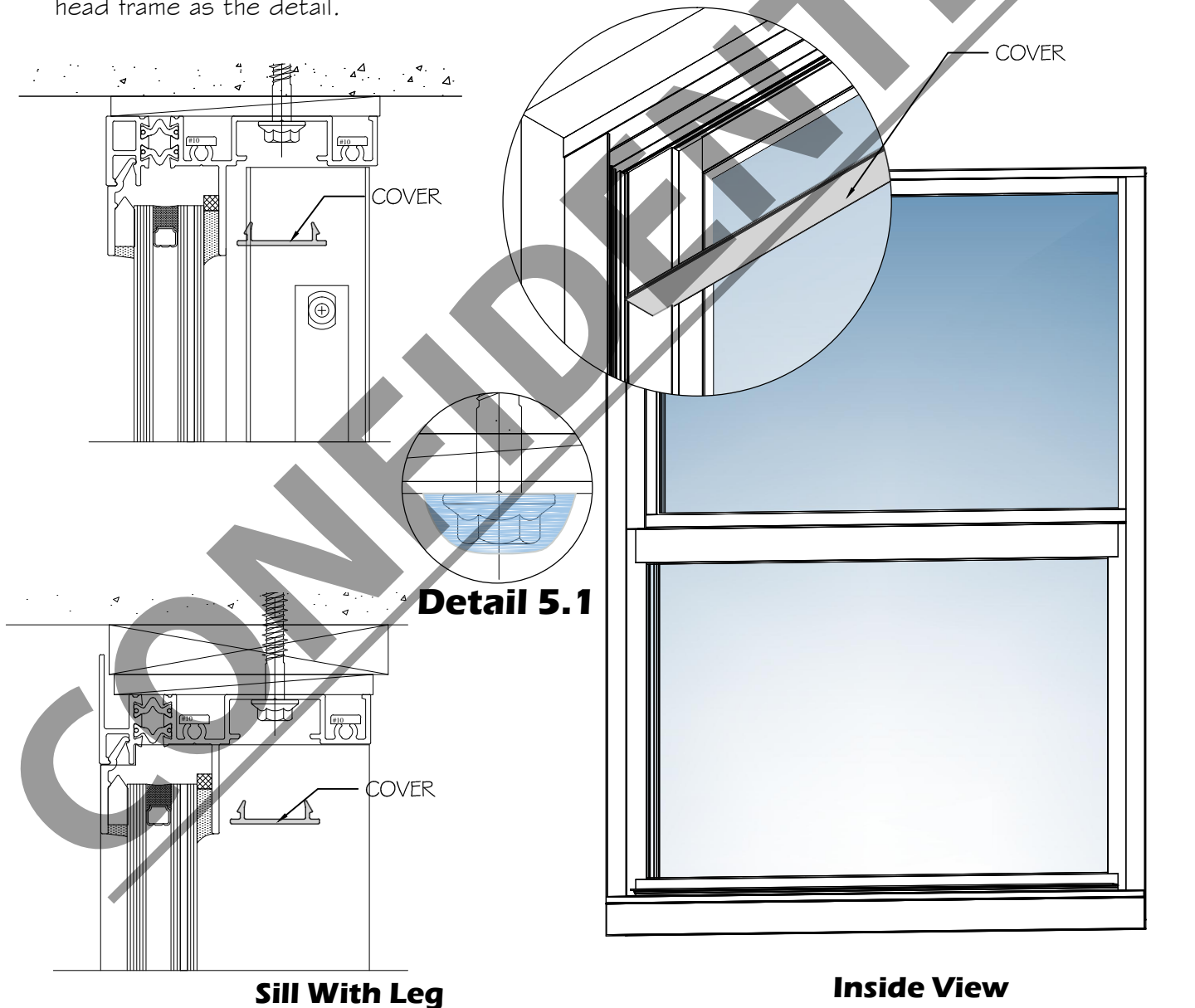


**DETAIL 4.4**

# STEP 5

INSTALL THE COVER:

- 5.1. Apply weatherproofing sealant on head of screws.
- 5.2. Place the Cover (ES-9502-022) on the head frame as the detail.



**Detail 5.1**

**Sill With Leg**

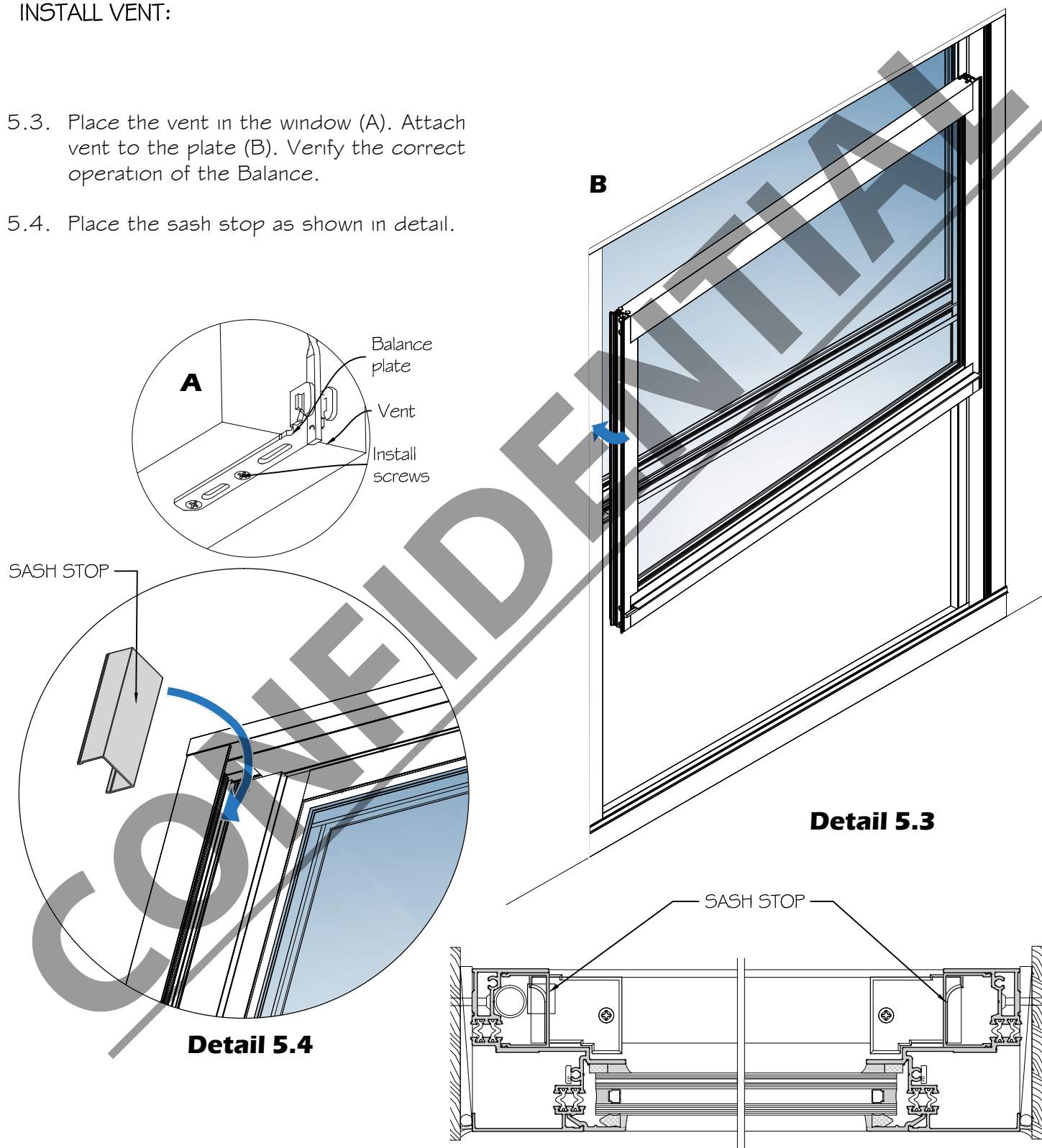
**Inside View**

**Detail 5.2**

INSTALL VENT:

5.3. Place the vent in the window (A). Attach vent to the plate (B). Verify the correct operation of the Balance.

5.4. Place the sash stop as shown in detail.



## STEP 6

SEAL WINDOW PERIMETER:

- 6.1. Insert backer rods and apply silicone in perimeter of the frame.



<b>REVIEW No.</b>	<b>DATE</b>	<b>DESCRIPTION</b>	<b>PAGE.</b>	<b>BY</b>
△ 2	JULY 11 2014	EXTRUSIONS AND MISCELLANEOUS LIST UPDATE.		—
△ 3	August 3 2015	STEPS TO REMOVE AND INSTALL VENT.	9,6	S.G
△				
△				
△				
△				
△				
△				
△				
△				

CONFIDENTIAL

# ENERGÍA SOLAR ESWINDOWS

**Av. Circunvalar at 100 mts of Via 40 Las Flores  
Barranquilla, Colombia PBX: (57 5) 3664600  
service@eswllc.com, PBX: (+1) 305 5074545**

DRAWN BY SARIEL GONZALEZ .