

ES-H340

SINGLE HUNG WINDOW



ENERGÍA SOLAR
ESWINDOWS

DESCRIPTION

ES-H340 is a 3 3/8" impact rated, thermally broken single hung window. Designed to meet the most stringent architectural standards. ES-H340 is suitable for both residential and commercial applications.

SYSTEM DESCRIPTION:

Small missile and large missile impact.
3 3/8" Frame depth.
Designed for 7/8" insulated laminated glass.
Water infiltration: 12 psf.
Design load: +80/-90 psf Large missile impact.
Design load: +80/-110 psf Small missile impact.
U-value: 0.48.

FEATURES:

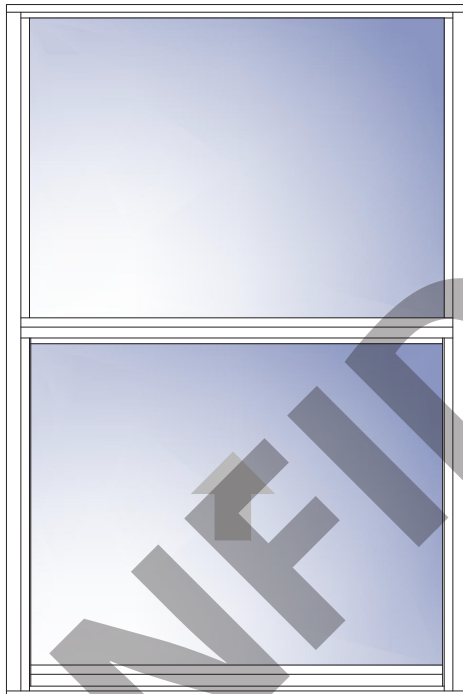
- Ultra lift balances.
- Sweep lock or vent latch as optional locking.
- Flange frame for masonry and wood construction or flush frame for concrete openings.
- Fully weatherstripped.
- Anodized, painted or wood grain finishes available.
- Screens available in aluminum frame and fiberglass mesh.
- Surface applied ogee or flat muntins.

BENEFITS:

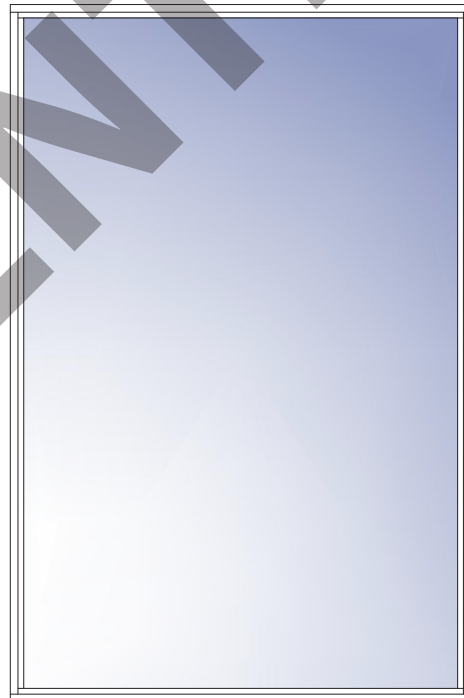
Various aesthetic options.
Enhanced thermal performance.
Excellent performance and durability.

CONFIGURATIONS

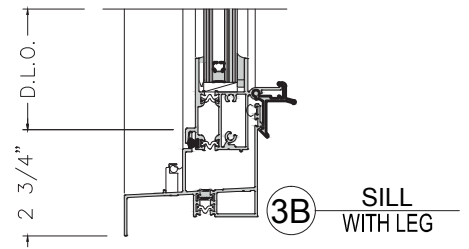
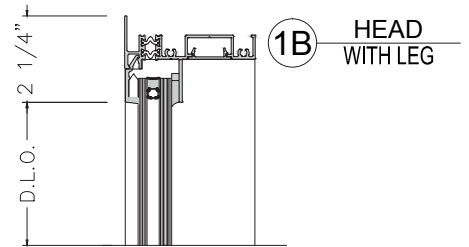
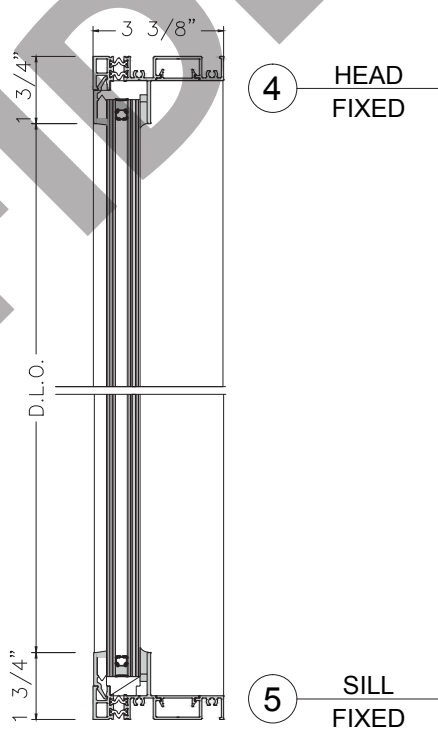
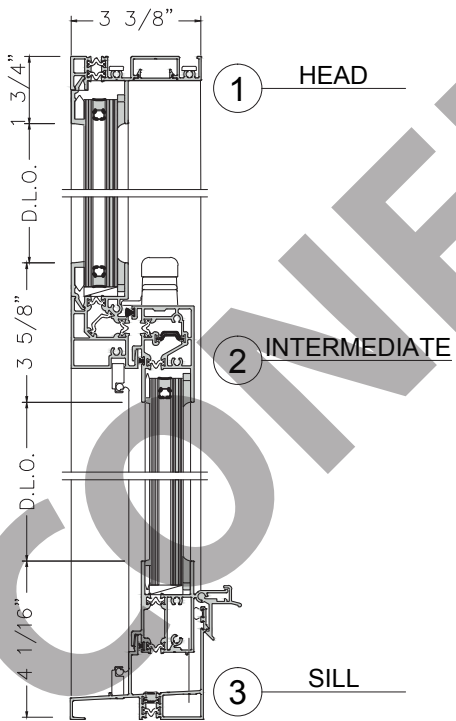
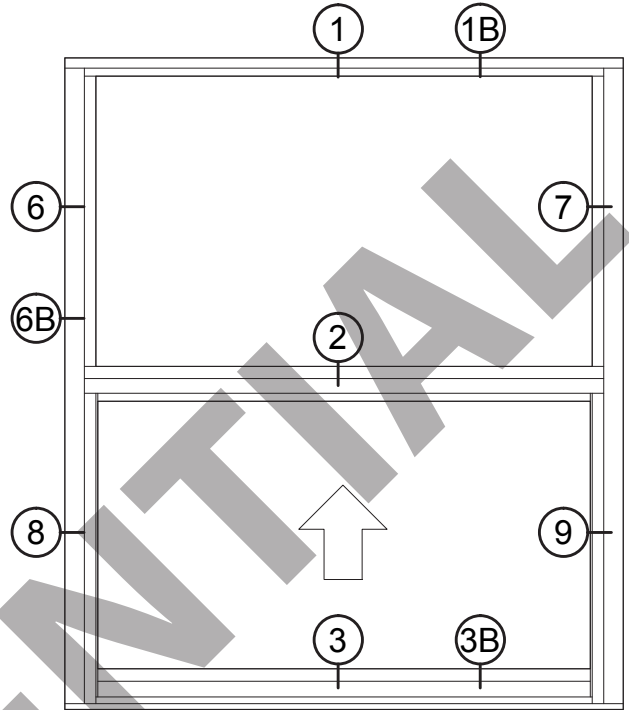
SINGLE HUNG

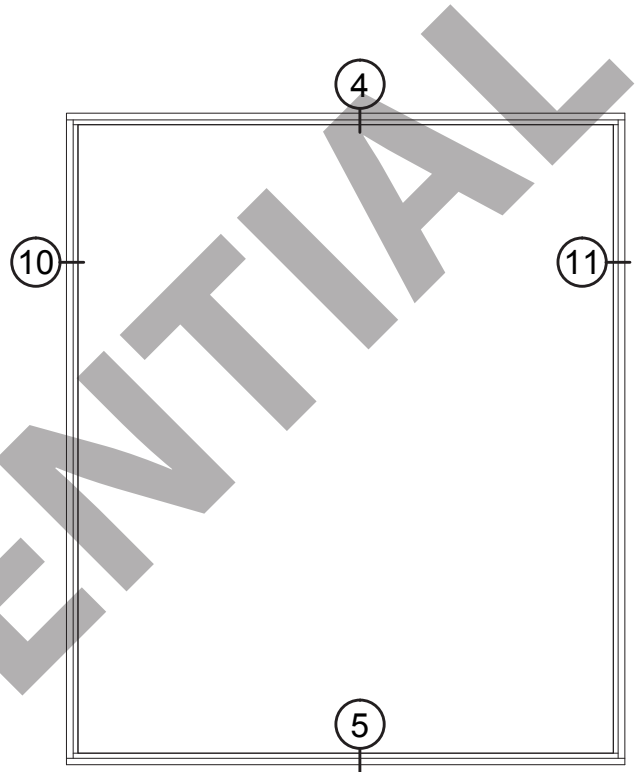
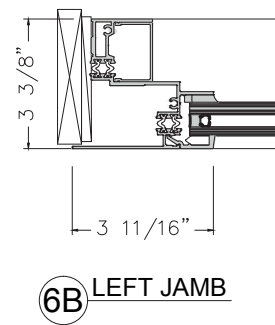
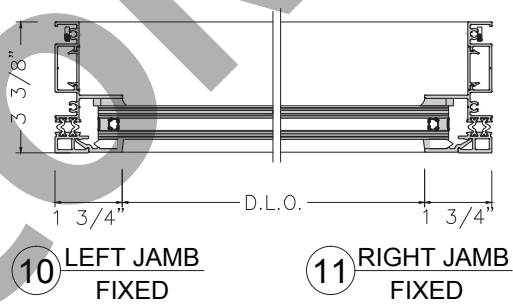
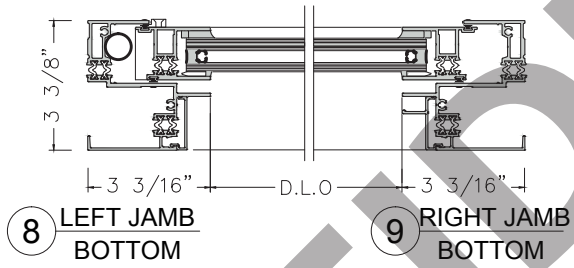
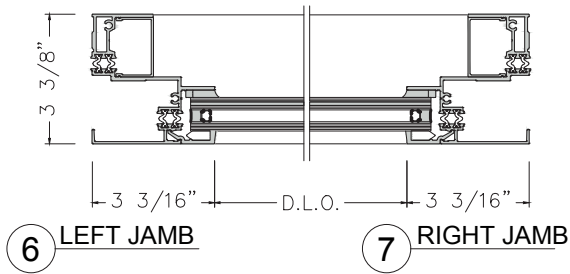


FIXED



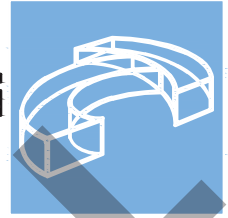
DETAILS





GLASS

TECNOGLASS



INSULATING GLASS

1/4" CLEAR TEM+ 5/16" SPACER + 1/8" CLEAR H.S + 0.09" SENTRYGLASS +1/8" CLEAR H.S

FINISHES

PAINT
SERIGRAPHY
DIGITAL PRINTING

For more information about glass consult with TECNOGLASS[®]

ALUMINUM

ALLOY 6063-T6
ALLOY 6005-T5



For more information about aluminum and finishes, consult ALUTIONS[®]

SILICONE

APPROVED SILICONE SEALS:

ESTRUCTURAL SILICONE:

Besides acting as a sealant it is capable to support high loads. This silicone is commonly used to support the glass in façades and hurricane resistant products.

Dowcorning 983
Dowcorning 995

WEATHERPROOFING SILICONE:

Used to seal profile unions to avoid air and water infiltration. Allows sound control.
Dowcorning 791(Black - White)

ACCESSORIES

For more information about the system accessories please consult the miscellaneous book.



VENT LATCH



SWEEP LOCK

ENERGÍA SOLAR ESWINDOWS

**Av. Circunvalar at 100 mts of Via 40 Las Flores
Barranquilla, Colombia PBX: (57 5) 3664600
service@eswllc.com, PBX: (+1) 305 5074545**

DRAWN BY FERLEY ACOSTA