

RAILING

www.eswindows.com

ES-RL3030

System description

- Modular glass railing system.
- For embedding into concrete.
- Cap width: 5 3/4", 6 1/4" or 5 1/2".
- Mullion size: 3" x 3".
- Designed for 7/16" laminated glass.

Features

- Four railing cap options available.
- Options of bottom rail available.
- Pre-assembled & glazed.
- Reinforcement available.
- Corner configuration available.

Test & Certifications

- Design load: +/-120 PSF.
- Tested and certified TAS202, ANSI Z97, ASTM E935

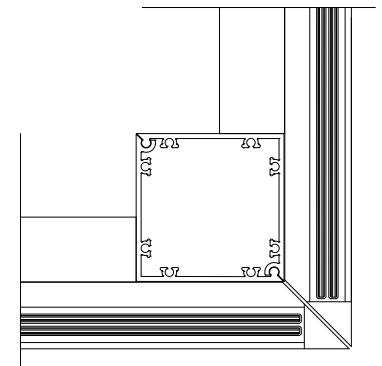
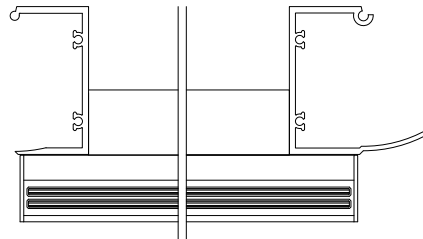
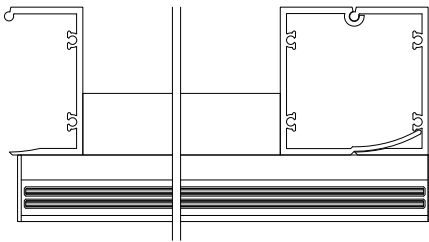


Configurations

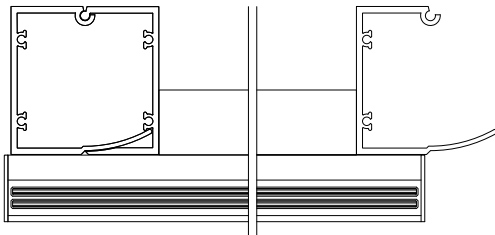
RIGHT

CENTER

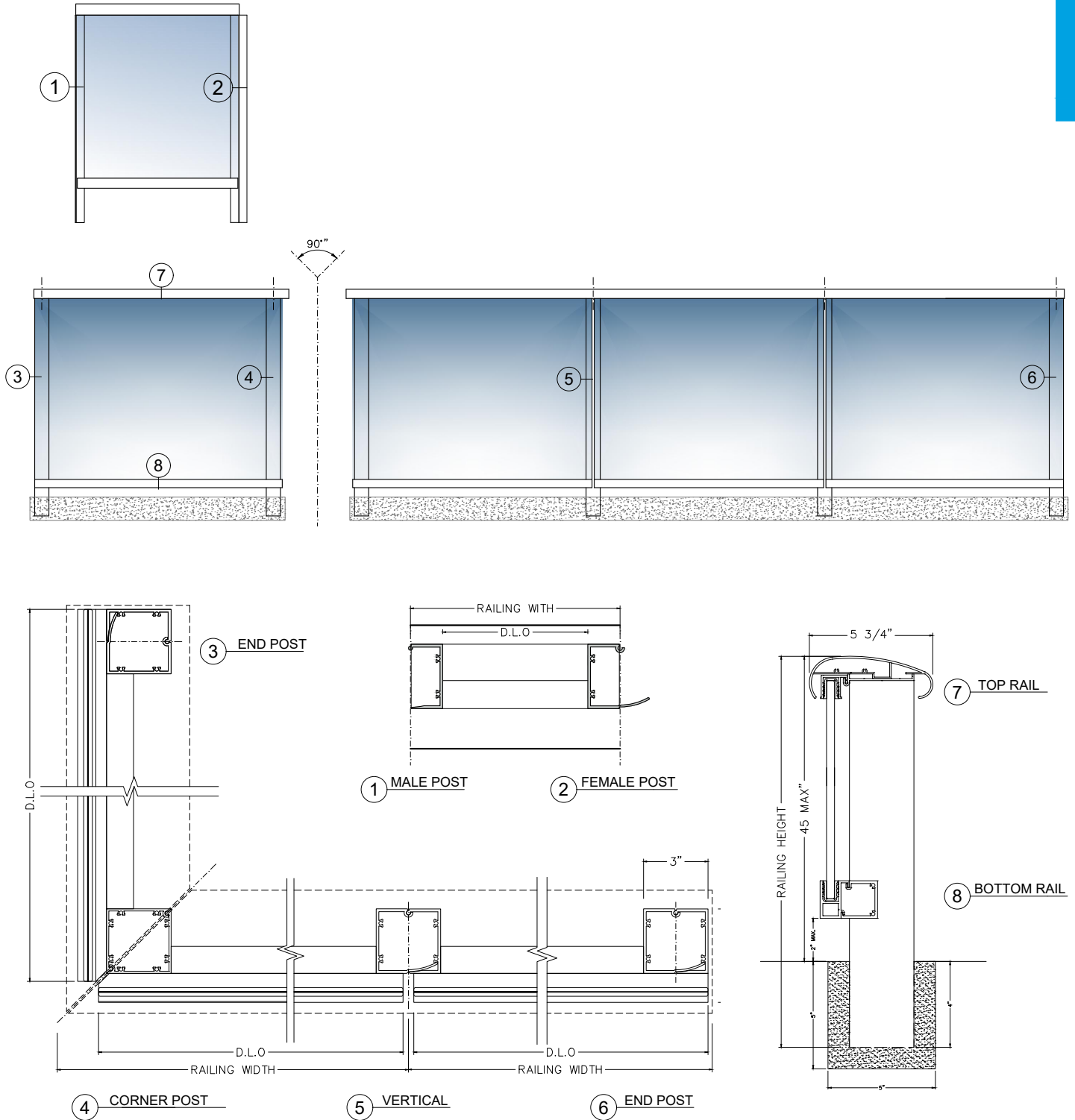
CORNER



LEFT



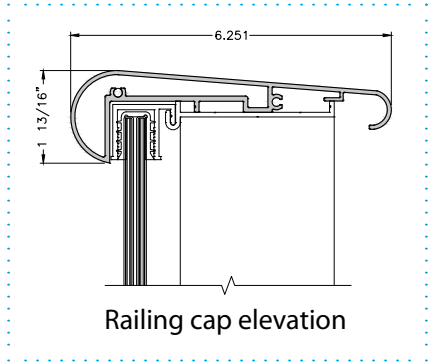
System details



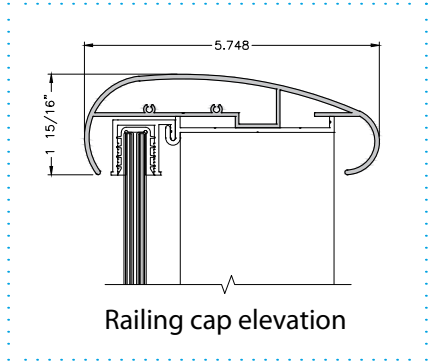
Railing cap options



OPTION A
ES-RL3030-001A



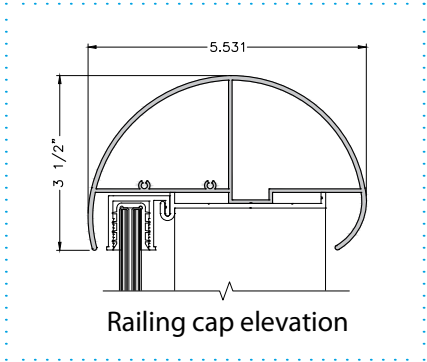
OPTION B
GMP-100



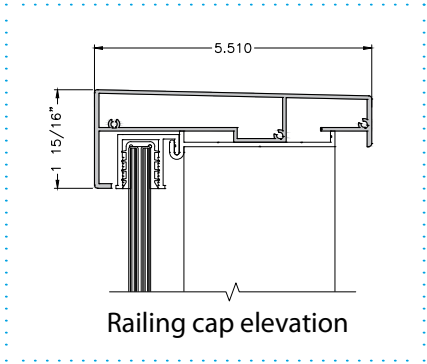
Railing cap options



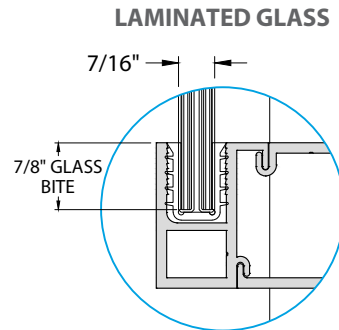
OPTION C
ES-RL3030-401



OPTION D
ES-RL3030-402



Glazing options



- 3/16" clear tempered glass + 0.035" SentryGlas + 3/16" clear tempered glass.

GLASS FINISH: PAINTED, SERIGRAPHY & DIGITAL PRINTED.

For more information please contact TECNOGLASS or visit www.tecnoglass.com

Aluminum

ALLOY 6063-T6
ALLOY 6005-T5

For further information about aluminum and finishes, consult ALUTIONS[®].

Sealant

APROVED SILICONE SEALS:

WEATHERPROOFING SILICONE:

Used to seal profile unions to avoid air and water infiltration.

STRUCTURAL SILICONE:

Besides acting as a sealant it is capable to support high loads. This silicone is commonly used to support the glass in facades and hurricane resistant products.

Measurements

Maximum tested size:

Panel width: 61 1/2".
Panel height: 44".