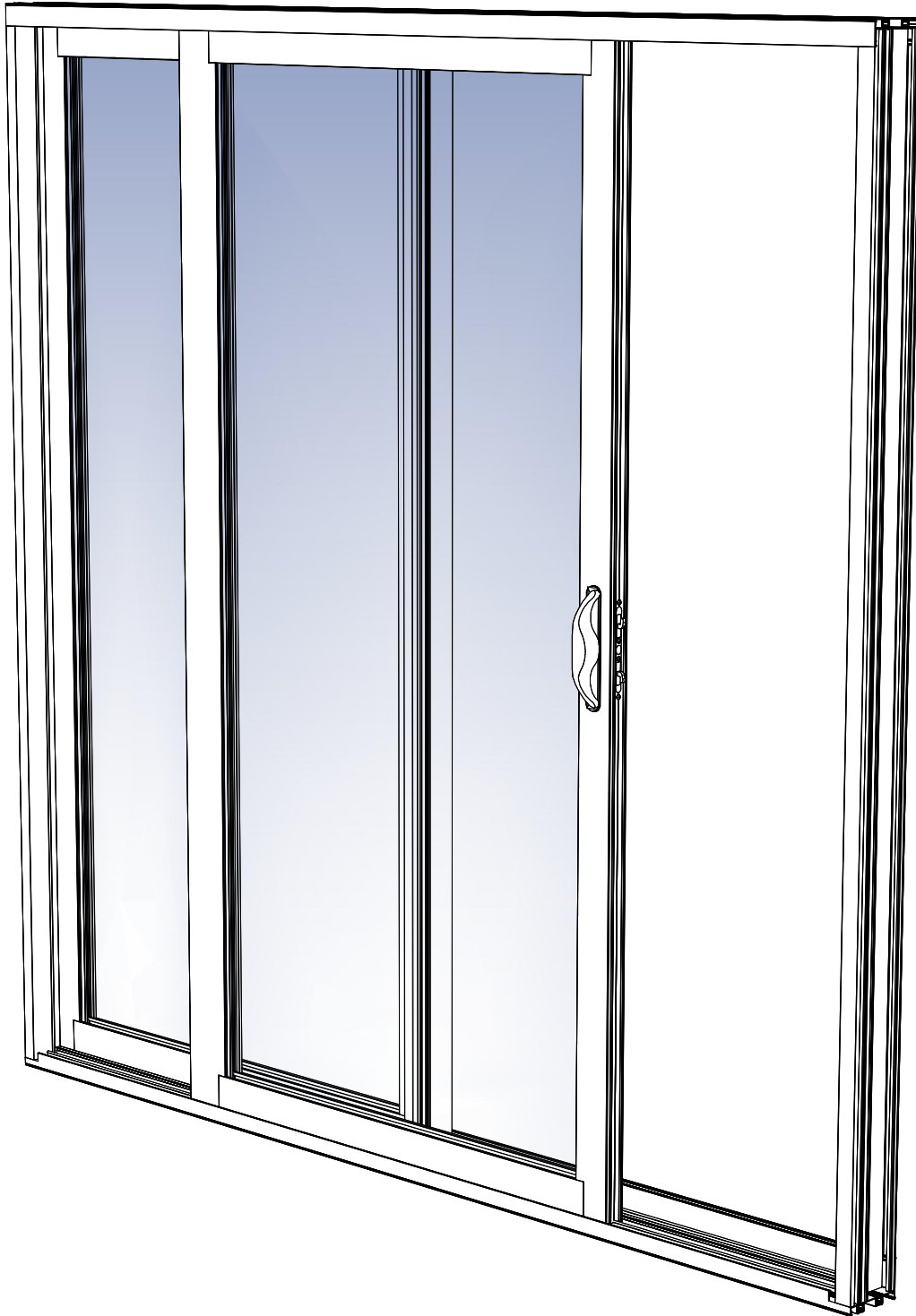


ES-SD451

SLIDING GLASS DOOR THERMAL/IMPACT RESISTANT



ENERGÍA SOLAR
ESWINDOWS

DESCRIPTION

The ES-SD451 is a impact resistant sliding door, designed to protect buildings and houses against the impact of strong winds and hurricanes, while enhancing the quality of life by providing quieter environments.

SYSTEM DESCRIPTION

- 4 1/2" Depth (Frame).
- Design load: 90 Psf.
- Target water: 15 Psf.
- Available configurations OX, XO, XX, OXO, OXXO.
- Sliding door runs on the outside.
- Available for 1 3/16" insulating glass.
- Panel and frame corners, coped and screw spline.
- Optional screen.

FEATURES:

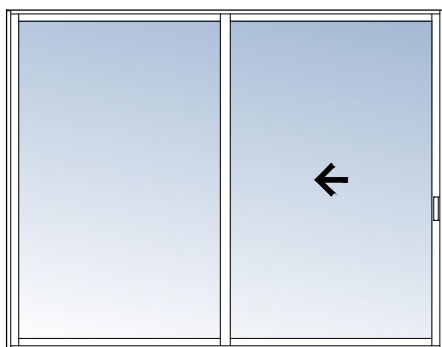
- Fully weather stripping.
- Anodized, painted and bronze finishes available.
- Screens available in aluminum frame and fiberglass mesh.

BENEFITS:

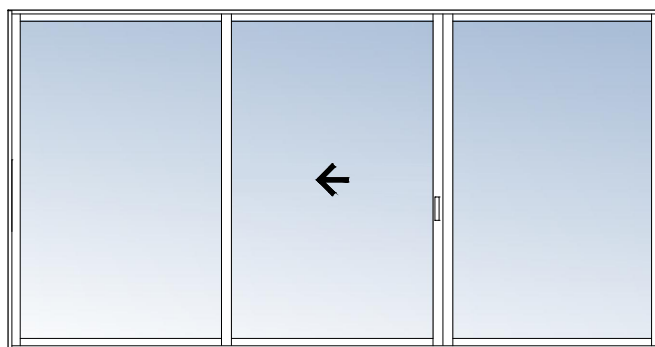
- Enhanced durability.
- Easy to manipulate.
- Various esthetic options.
- Enhanced resistance to air and water infiltration.
- Noise reduction improved.

CONFIGURATIONS

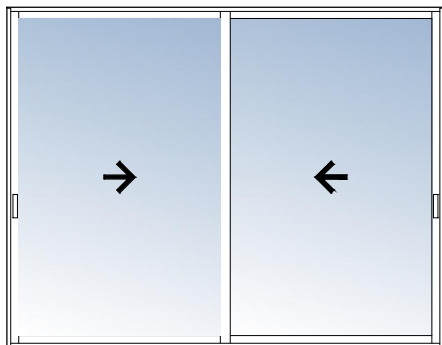
OX



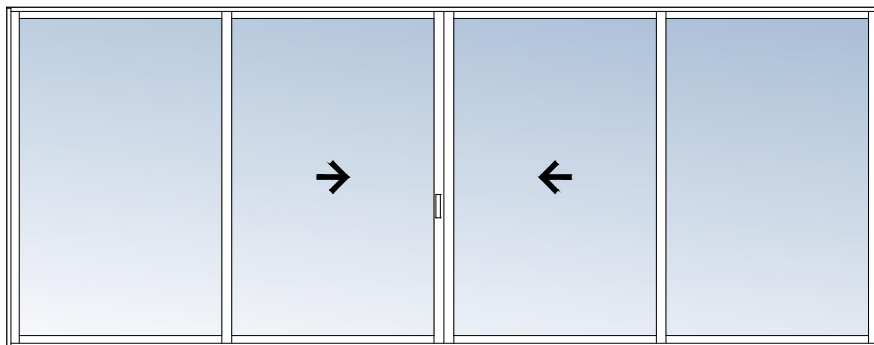
OXO



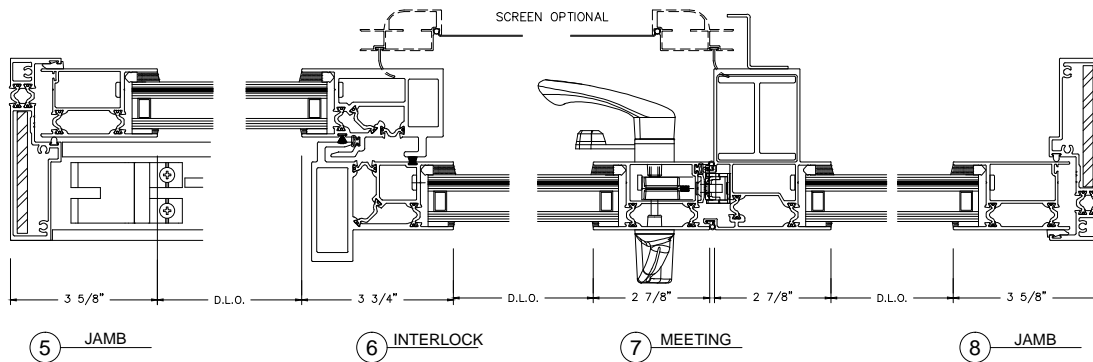
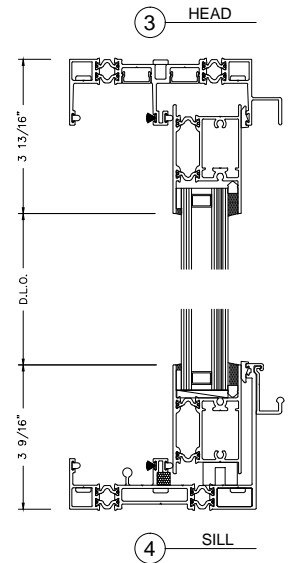
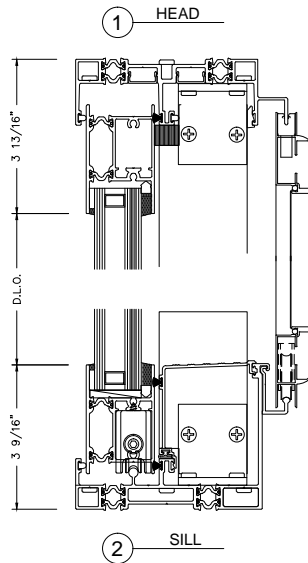
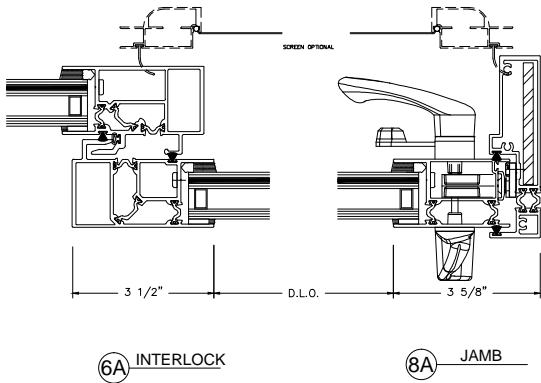
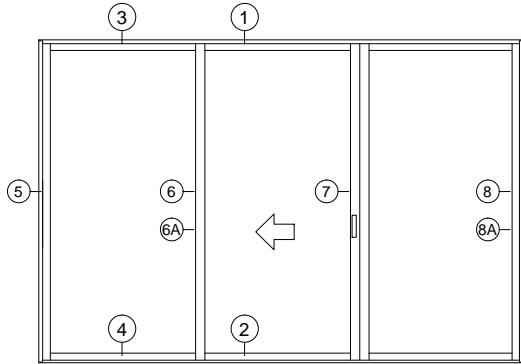
XX



OXO



DETAILS



GLASS

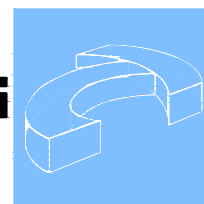
AVAILABLE FOR 1 $\frac{3}{16}$ " GLASS

- LAMINATED GLASS
- HEAT STRENGTHENED GLASS
- TEMPERED GLASS

FINISHES

PAINT
SERIGRAPHY
DIGITAL PRINTING

TECNOGLASS



For more information about glass condition and finishes, consult TECNOGLASS ®.

ALUMINUM



ALLOY 6063-T6

For more information about aluminum and finishes, consult ALUTIONS ®.

SILICONE

APPROVED SILICONE SEALS:

STRUCTURAL SILICONE:

Sealant capable of supporting high loads. This silicone is commonly used to support the glass in facades and hurricane resistant products.

- Dowcorning 983

WEATHER SEALANT SILICONE:

Used to seal profile unions to avoid air and water infiltration. Allows sound control.

- Dowcorning 791 (Black - White)
- Dowcorning 1199

HARDWARE

For further information about the hardware, consult the system hardware technical sheet.



Bumper



Inside Handle



Outside Handle

ENERGÍA SOLAR **ESWINDOWS**

ELABORADO POR STEFANÍA FERNÁNDEZ