

ES-SW340

SLIDING WINDOW



ENERGÍA SOLAR
ESWINDOWS

HSEQ REGULATIONS

Read all instructions carefully before attempting this procedure. If you have any questions about your ability to complete this procedure, contact ESWINDOWS for further direction.

If swing stages are required for installation, the HSEQ inspector must approve the permissions.

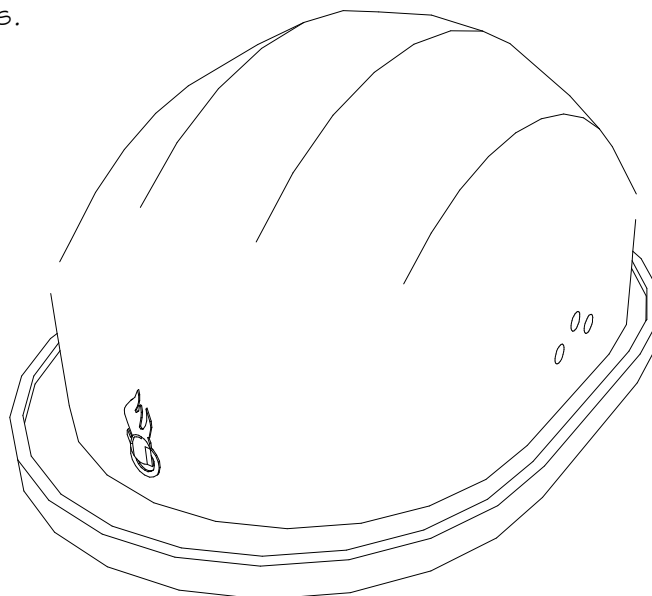
- Wear the necessary personal protective equipment for product installation.
- Take safety precautions when performing the activity.
- Please follow the steps and make sure you have appropriate personal protective equipment and follow the rules established by the guidance for working at height, if required to do so.

INTRODUCTION

ES-SW340 is a sliding window.

This guide illustrates step by step the correct way to install the system.

Prior to installation check that all parts, glass and materials are in right conditions, verify that the quantities and descriptions match production planes.



INSTALLATION INSTRUCTIONS

TOOLS AND SUPPLIES REQUIRED FOR INSTALLATION..... 2

PARTS REQUIRED FOR INSTALLATION..... 3

STEPS

STEP 1

Inspection and verification 4-5

STEP 2

Remove vent 6

STEP 3

Install frame 7-11

STEP 4

Install vent 12

STEP 5

Install screen adaptor (If required) 13

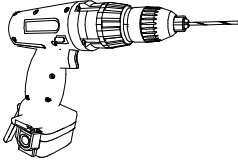

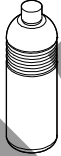
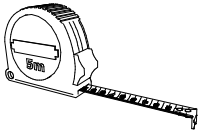

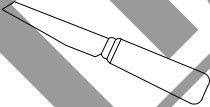
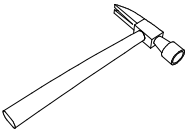
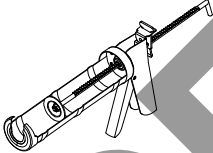
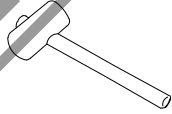
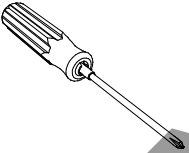
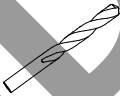
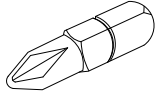
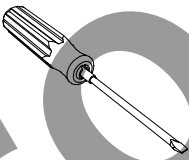
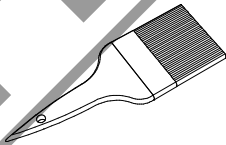
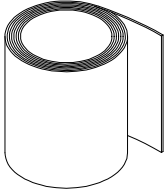
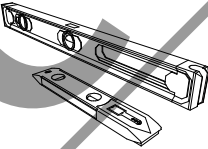
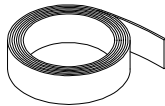
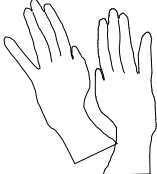
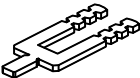
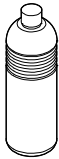
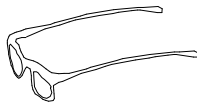
STEP 6

Seal perimeter 14


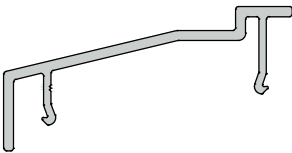

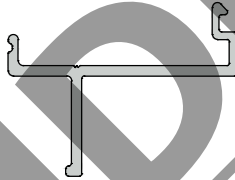

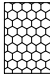
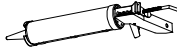
REVIEWS 15

CONFIDENTIAL

TOOLS AND SUPPLIES REQUIRED FOR INSTALLATION

DETAIL	DESCRIPTION	DETAIL	DESCRIPTION	DETAIL	DESCRIPTION
	Drill		Plumb		Thinner
	Tape Measure		Thread		Knife
	Hammer		Silicone Gun		Rubber Hammer
	Phillips Screwdriver		Bits for Concrete		Points
	Slot Screwdriver		Brush		Clean rag
	Level		Masking tape		Gloves
	High impact plastic shims		Isopropyl Alcohol		Safety Glasses

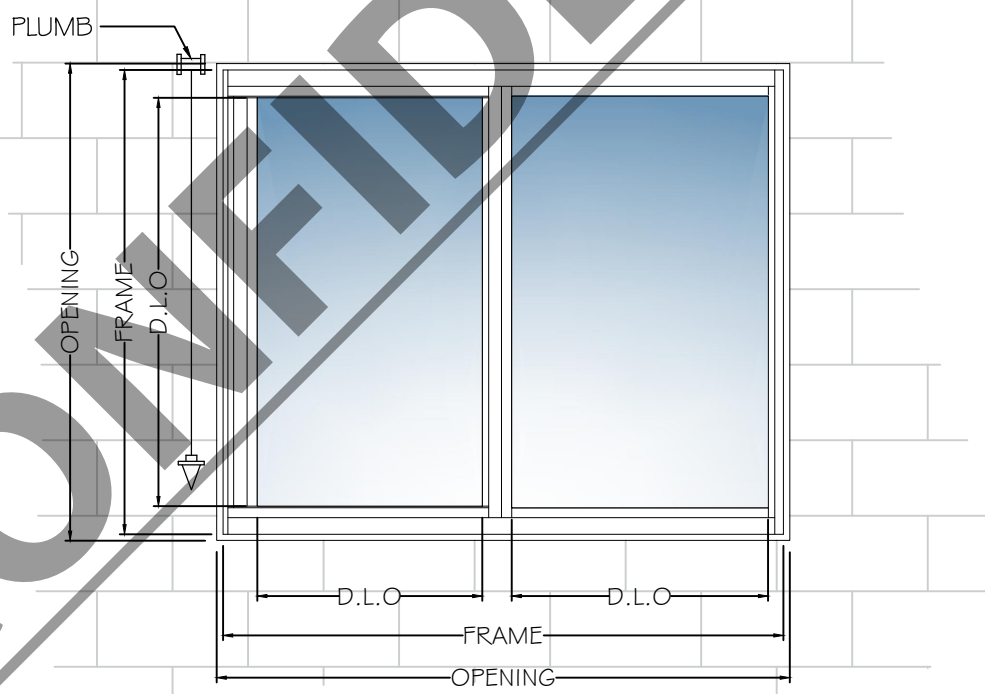
PARTS REQUIRED FOR INSTALLATION

PART	DETAIL	DESCRIPTION
ES-SW340-006		TRACK
ES-SW340-007		FIXED INTERLOCK
ES-H340-021		TRIM
ES-H340-007		TRIM
ES-H340-P01		SASH TOP
ES-SD450-F01		RETIC FOAM
DC.791		WEATHERPROOFING SEALANT

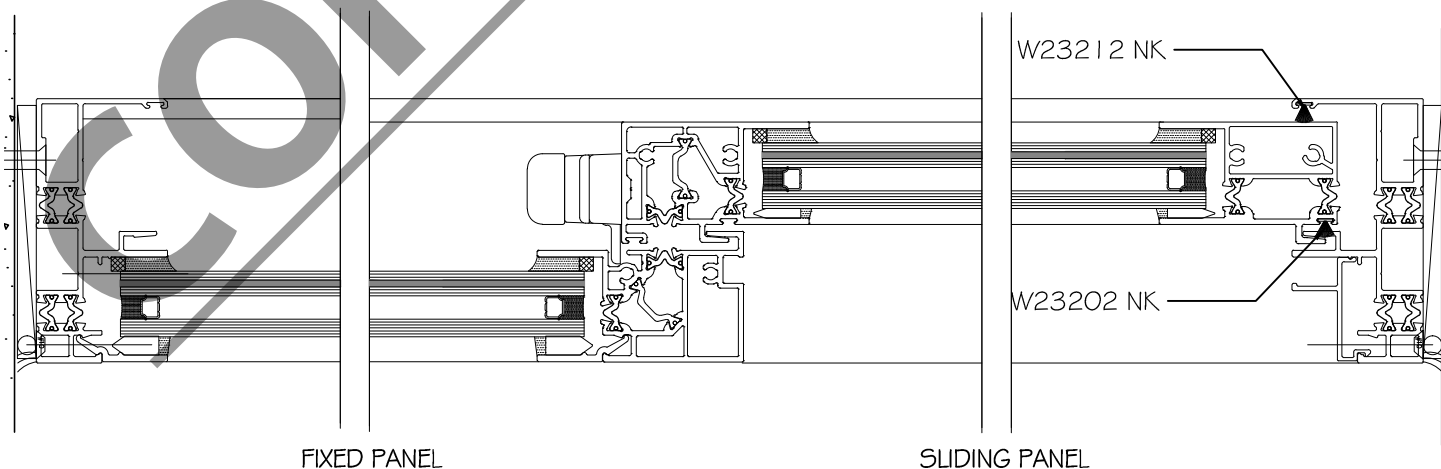
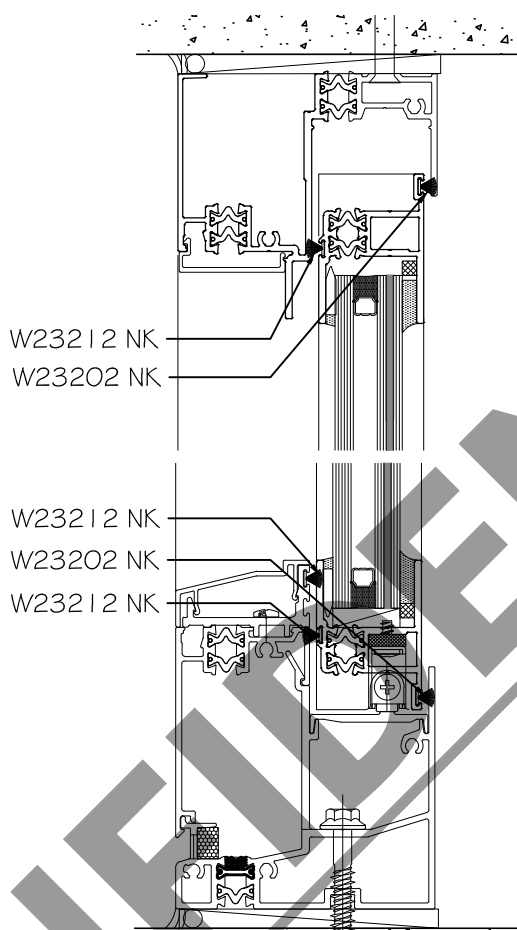
STEP 1

INSPECTION AND VERIFICATION:

- 1.1. The units, slabs, walls and other locations where the system will be installed, should be checked for the correct size as determined by dimensions listed in the architectural specifications and the shop drawings.
- 1.2. Check all the material upon arrival for quantity and damages.
- 1.3. Remove all materials that interfere with the proper installation of the unit.
- 1.4. If any irregularities are detected notify the general contractor.



1.5. Verify that piles are correctly installed along top rail, bottom rail, sill and jambs as shown in detail below.

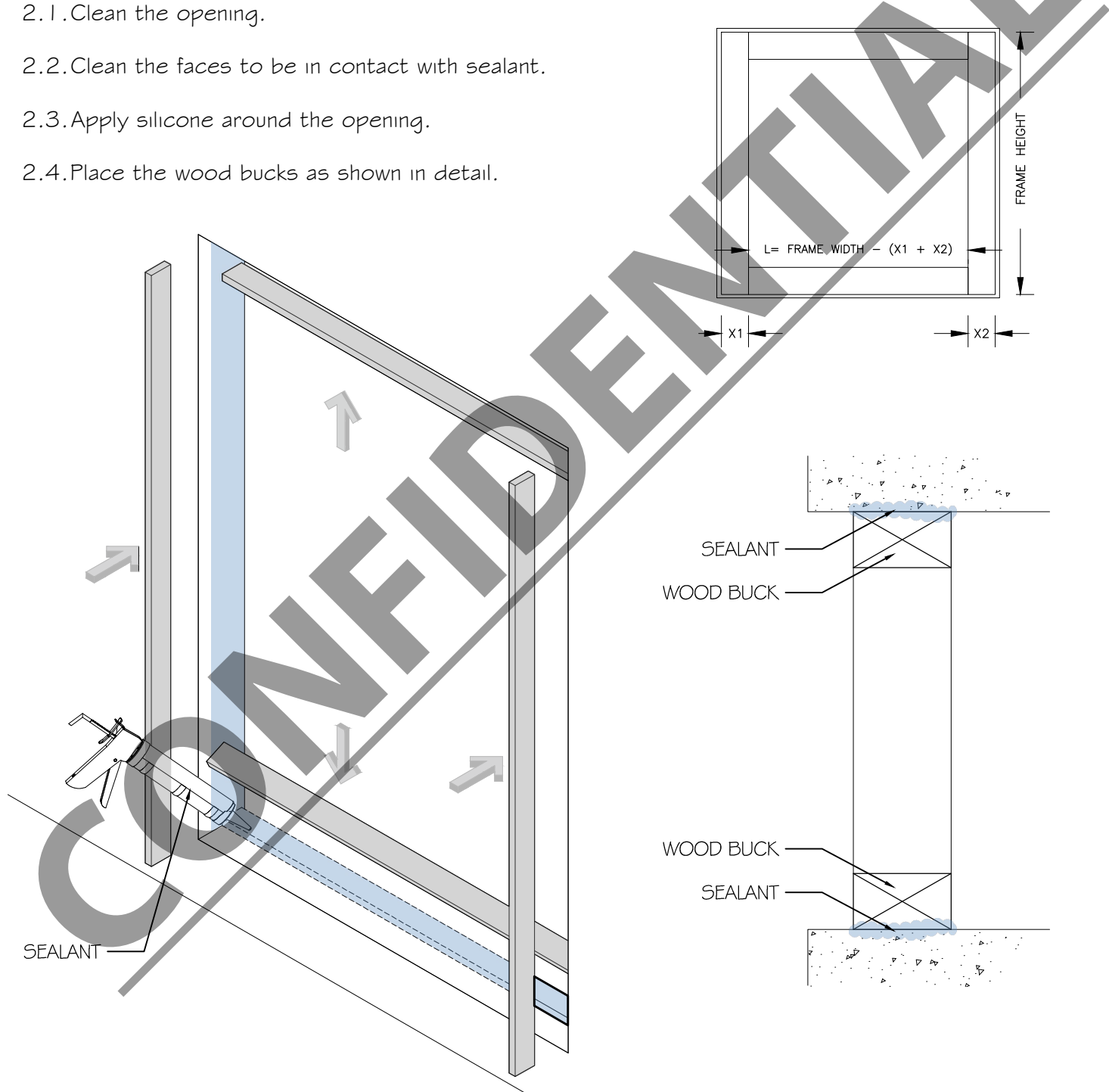


STEP 2

WOOD BUCKS INSTALLATION:

- 2.1. Clean the opening.
- 2.2. Clean the faces to be in contact with sealant.
- 2.3. Apply silicone around the opening.
- 2.4. Place the wood bucks as shown in detail.

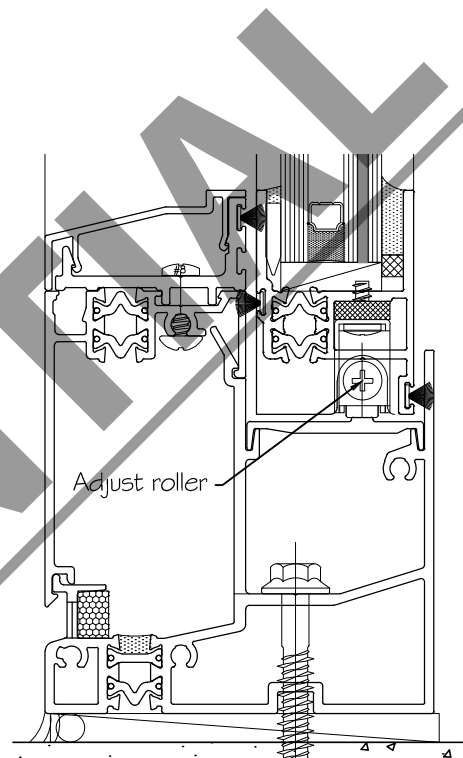
Preparation: cut wood bucks as required. follow detail bellow.



STEP 3

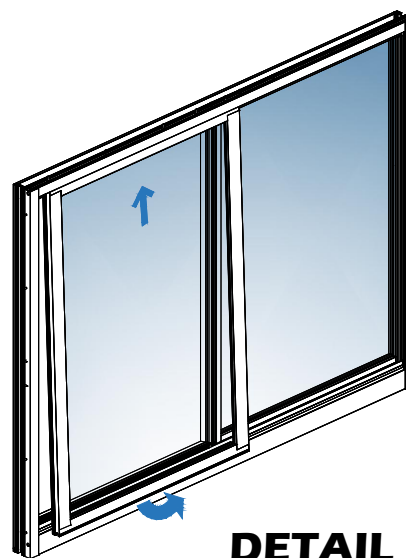
PRIOR TO INSTALLING WINDOW REMOVE VENT:

3.1. Adjust rollers in the bottom rail as shown in detail below.



DETAIL 3.1

2.2. Lift vent and rotate to remove it from the frame, as shown in detail



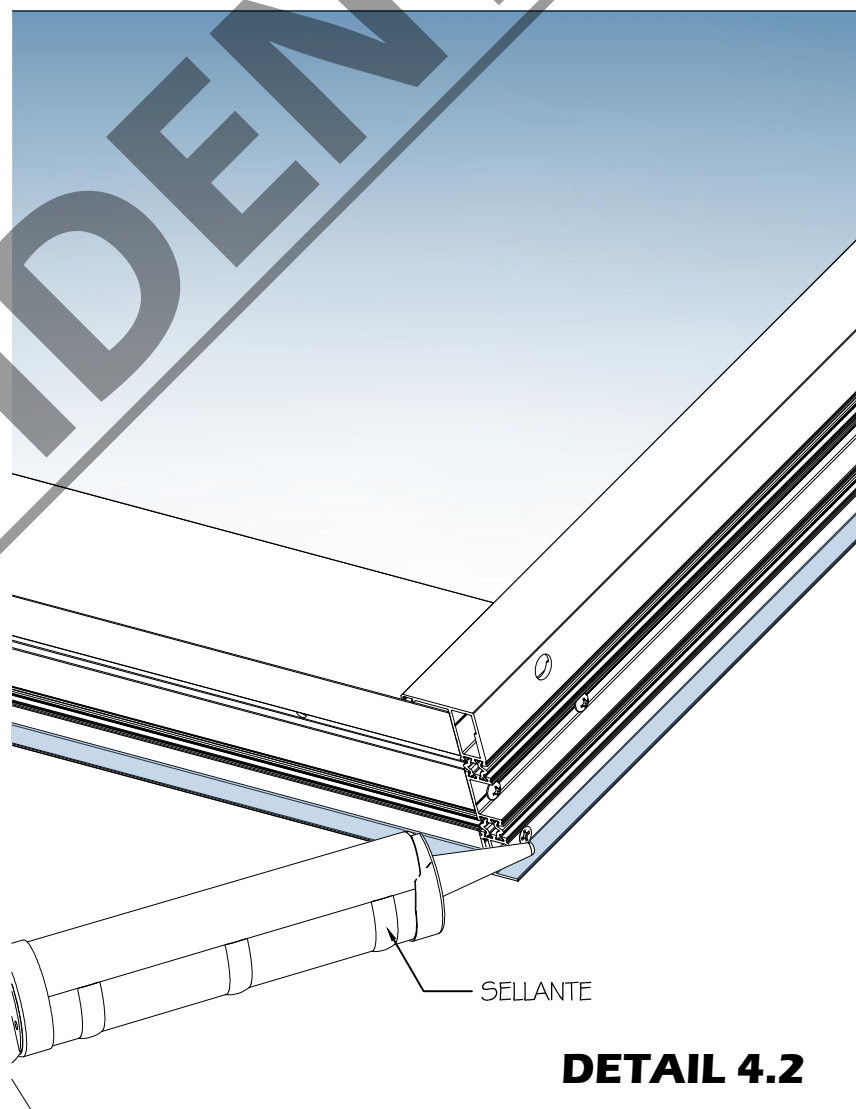
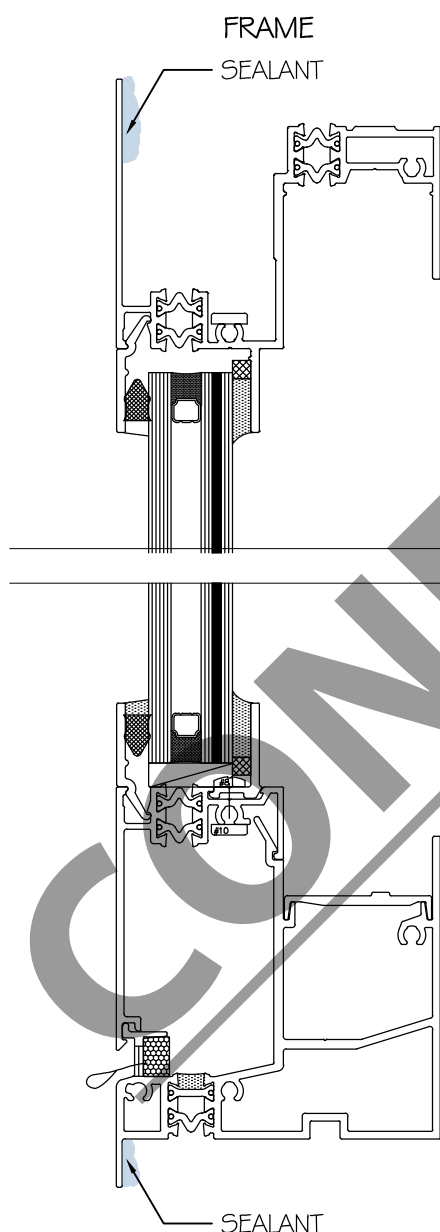
DETAIL 3.2

STEP 4

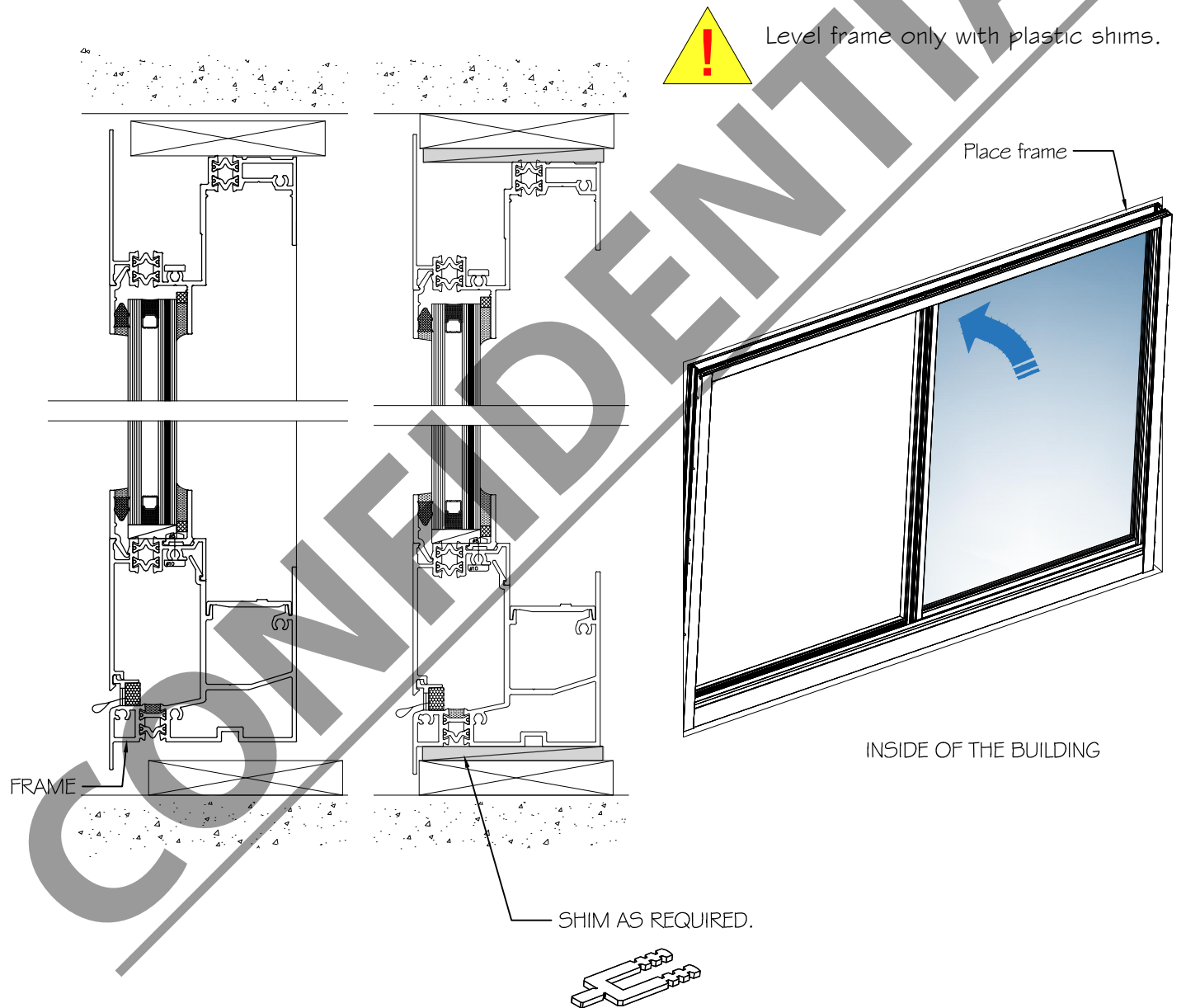
INSTALL FRAME:

4.1. Clean surfaces to be in contact silicone with isopropyl alcohol and the two rag method.

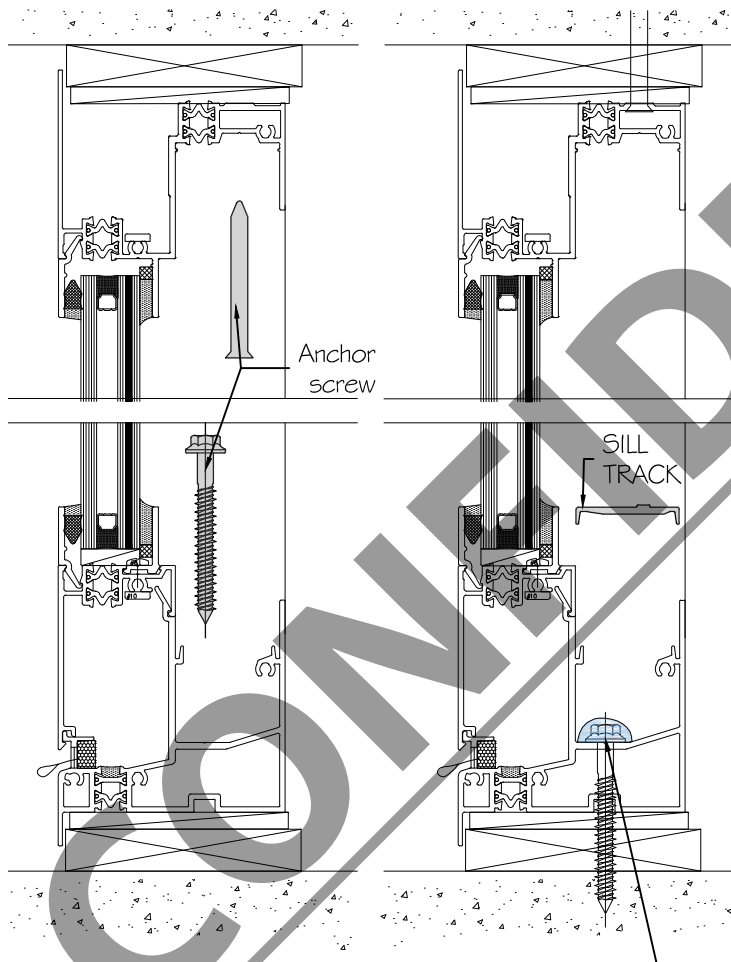
4.2. Apply weatherproofing sealant around frame perimeter as shown in detail.



4.3. From inside of the building place frame in the opening and shim as required to level.



- 4.4. Fix with anchors specified on approved shop drawings.
- 4.5. Apply weatherproofing sealant head of screws.
- 4.6. Install sill track on sill.



DETAIL 4.4

DETAIL 4.5

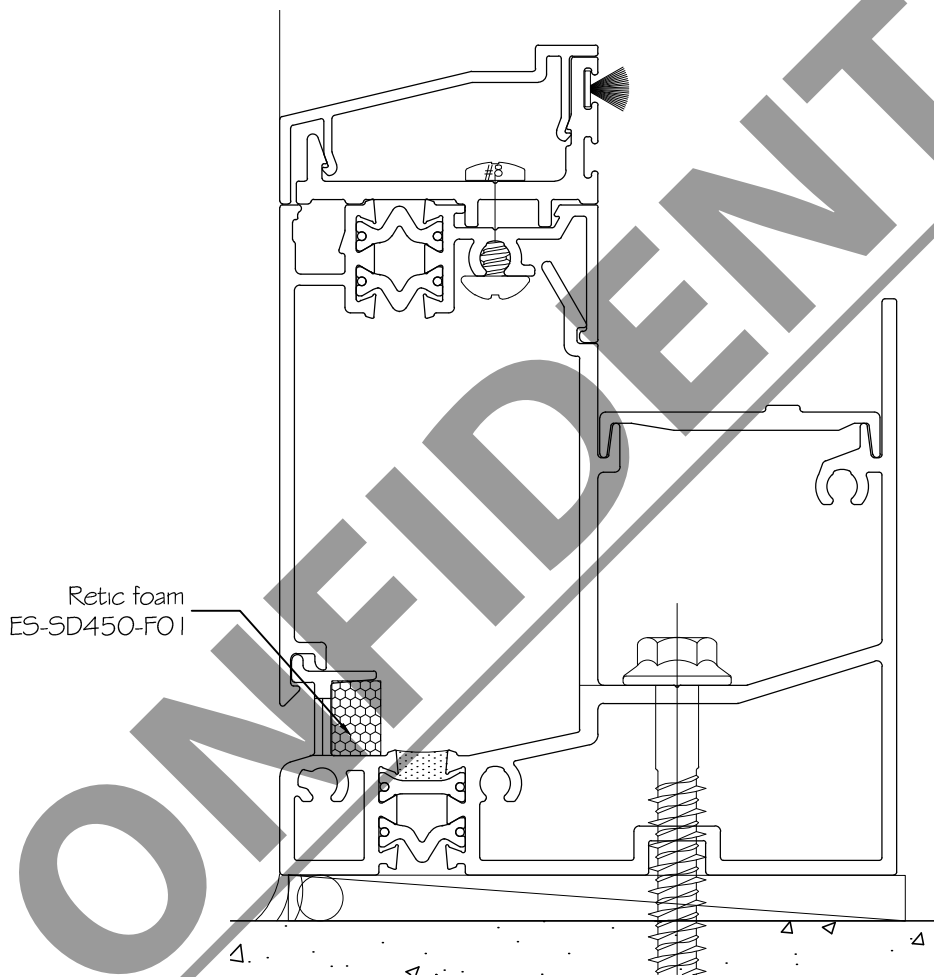
WEATHERPOOFING
SEALANT



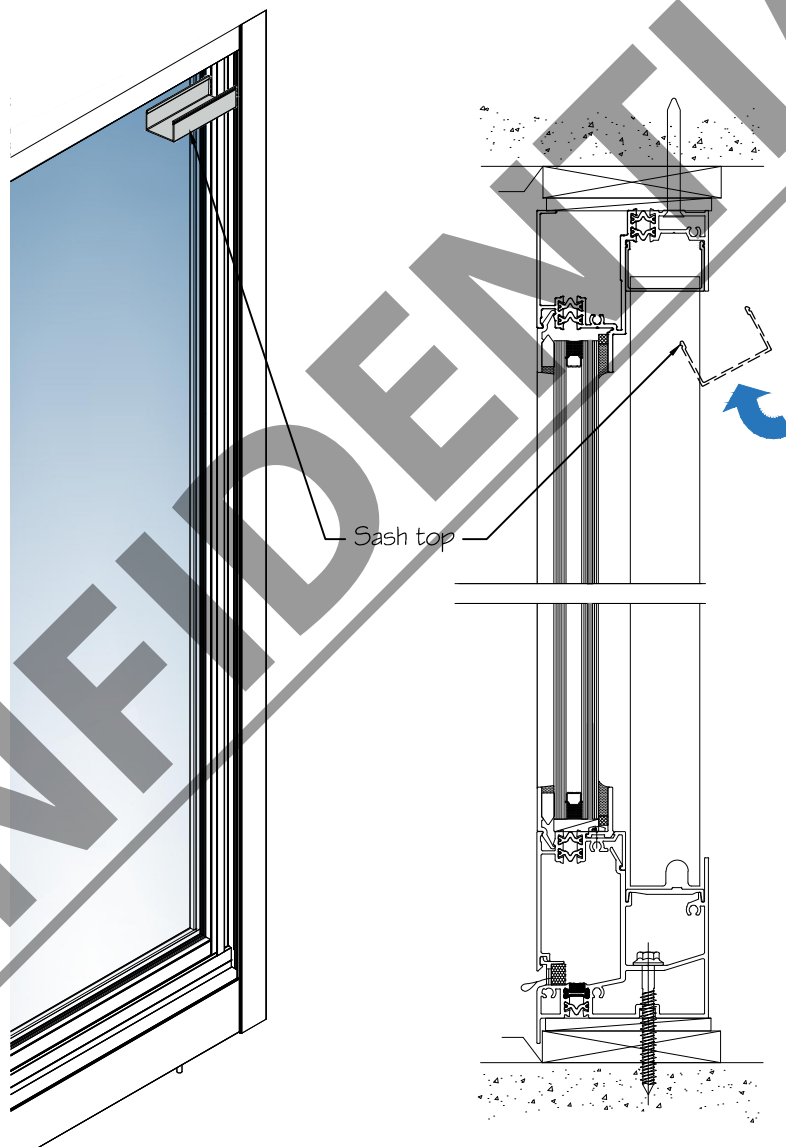
DETAIL 3.6

Weatherproofing
Sealant
Sill track
ES-SW340-006
INSIDE OF THE BUILDING

4.7. Verify retic foam at weep holes in the sill. Install if required.



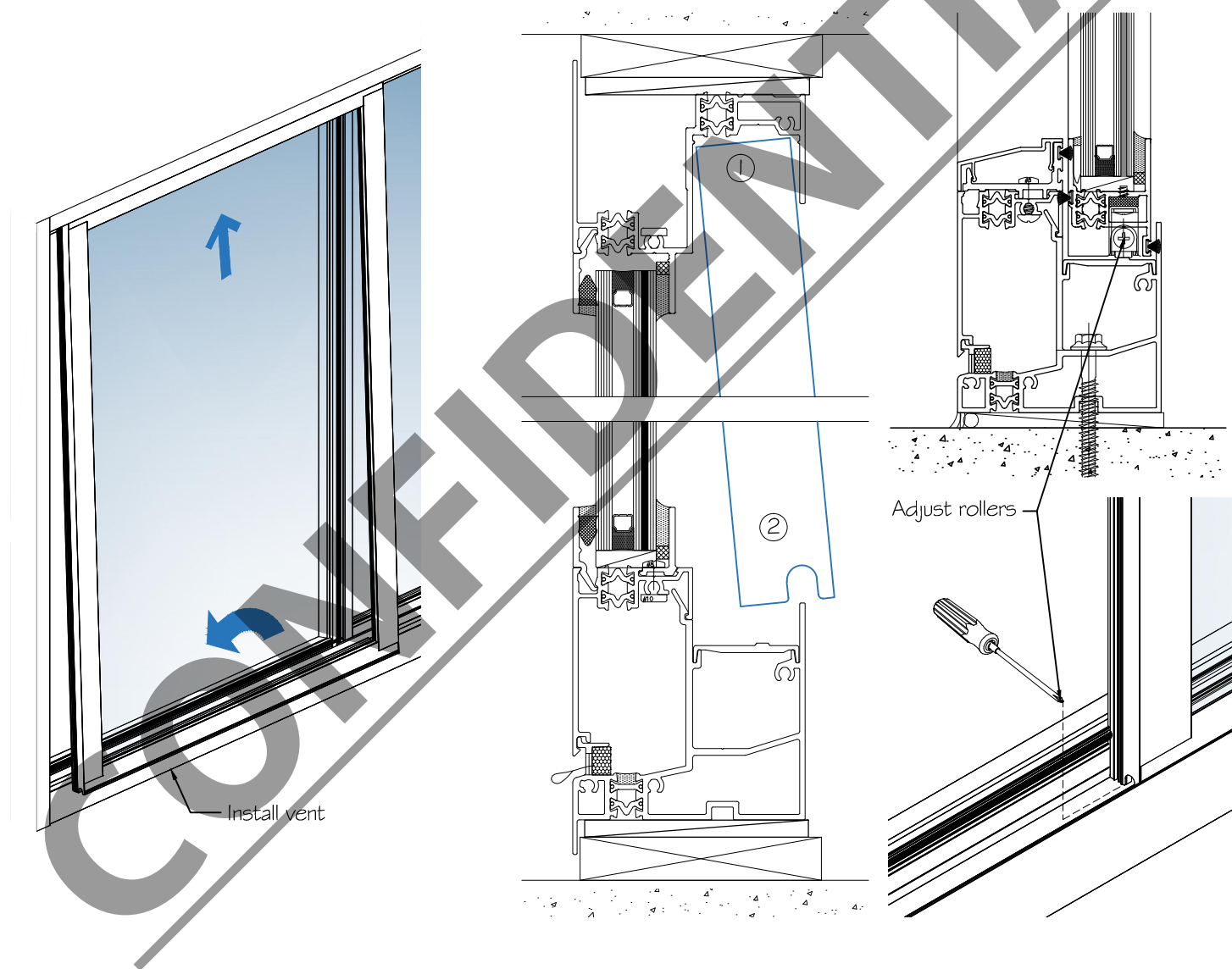
4.8. Insert sash top in the head in front of the fixed lite as shown in detail.



STEP 5

INSTALL VENT:

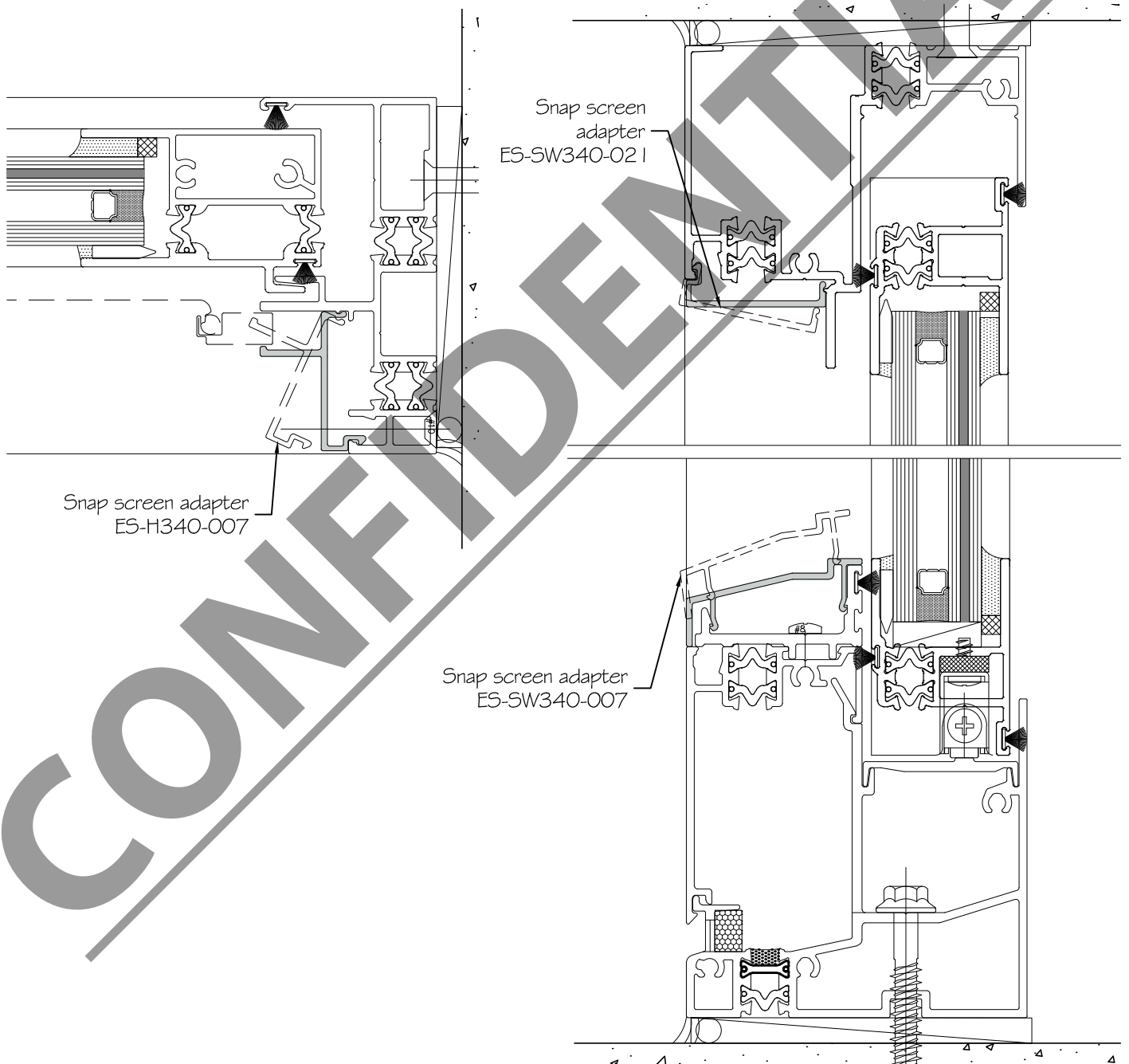
5.1. Working from inside of the building insert vent into the frame as shown in detail and adjust rollers.



STEP 6

INSTALL SCREEN ADAPTOR (IF REQUIRED):

5.1. In case of screen installation, install screen adapter on the jamb, head and sill as shown in detail.

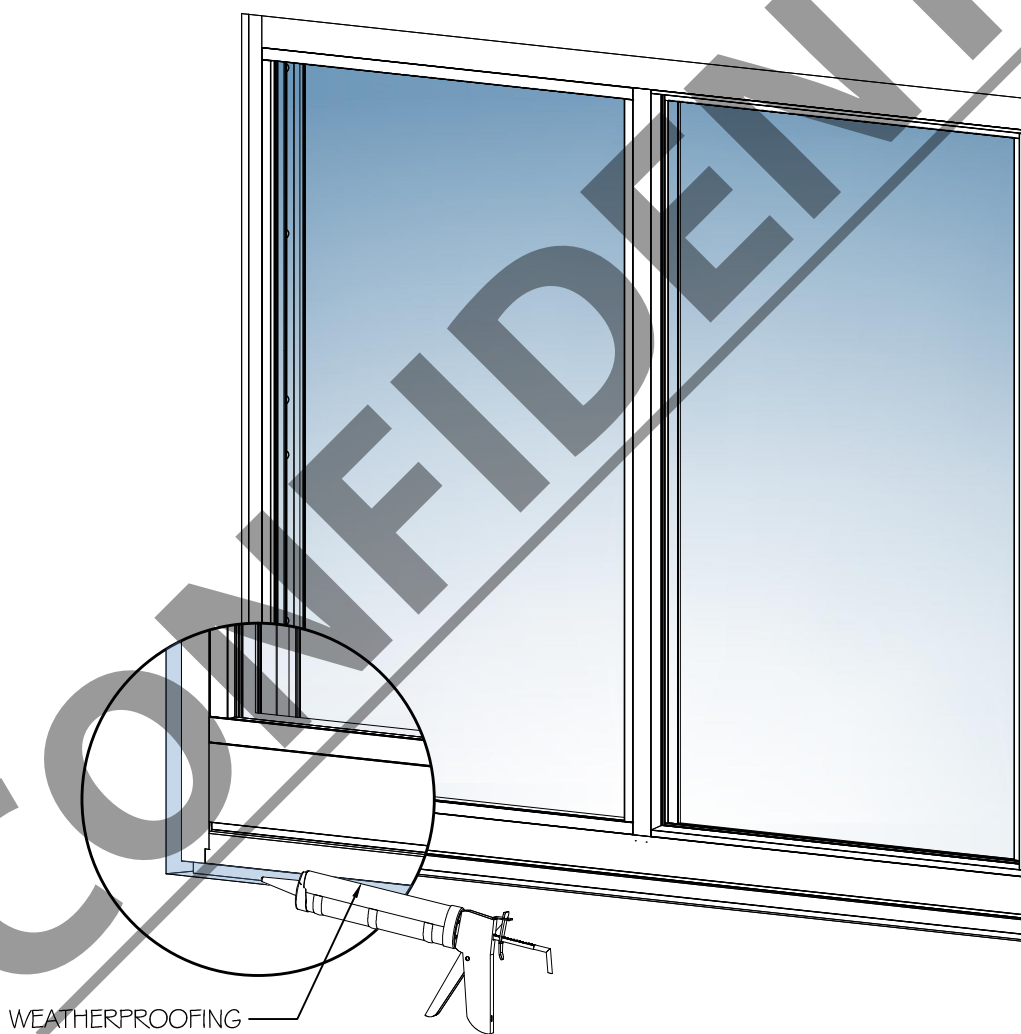


STEP 6

PERIMETER SEAL:

6.1. Insert backer rods and apply weatherproofing sealant around frame perimeter.

6.2. Operate window to verify its correct functionality.





REVISION No.	DATE	DESCRIPTION	PAGE.	BY
2	AUGUST 3 2016	STEPS TO REMOVE AND INSTALL VENT, STEPS TO INSTALL SCREEN ADAPTER	6,11,12,13	S.G

CONFIDENTIAL

ENERGÍA SOLAR ESWINDOWS

**Av. Circunvalar at 100 mts of Via 40 Las Flores
Barranquilla, Colombia PBX: (57 5) 3664600
service@eswllc.com, PBX: (+1) 305 5074545**

DRAWN BY SARIEL GONZALEZ .