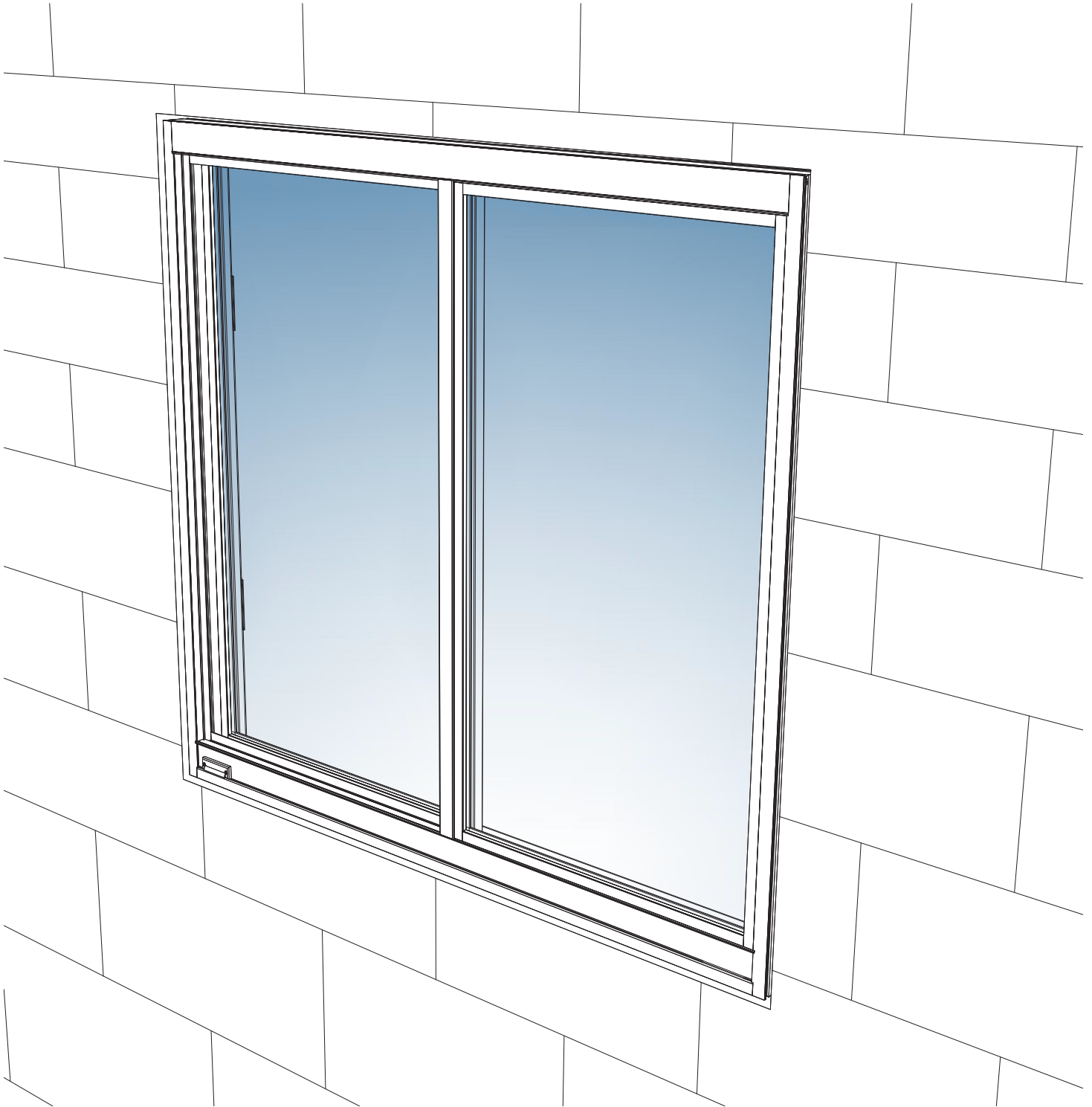


ES-SW340

THERMAL SLIDING WINDOW



ENERGÍA SOLAR
ESWINDOWS

DESCRIPTION

ES-SW340 is a 2 5/16" impact grade horizontal THERMAL SLIDING WINDOW. This product ensures an easy and smooth opening allowing maximum ventilation. ES-SW340 can be used on a wide variety of applications.

SYSTEM DESCRIPTION:

Small and large missile impact
Configurations: XO, OX or XOX
Side spring latch or sweep lock closing options
Designed for multiple insulated-laminated glass options
Water infiltration: 12 psf Large missile impact
Design load : +80/-90

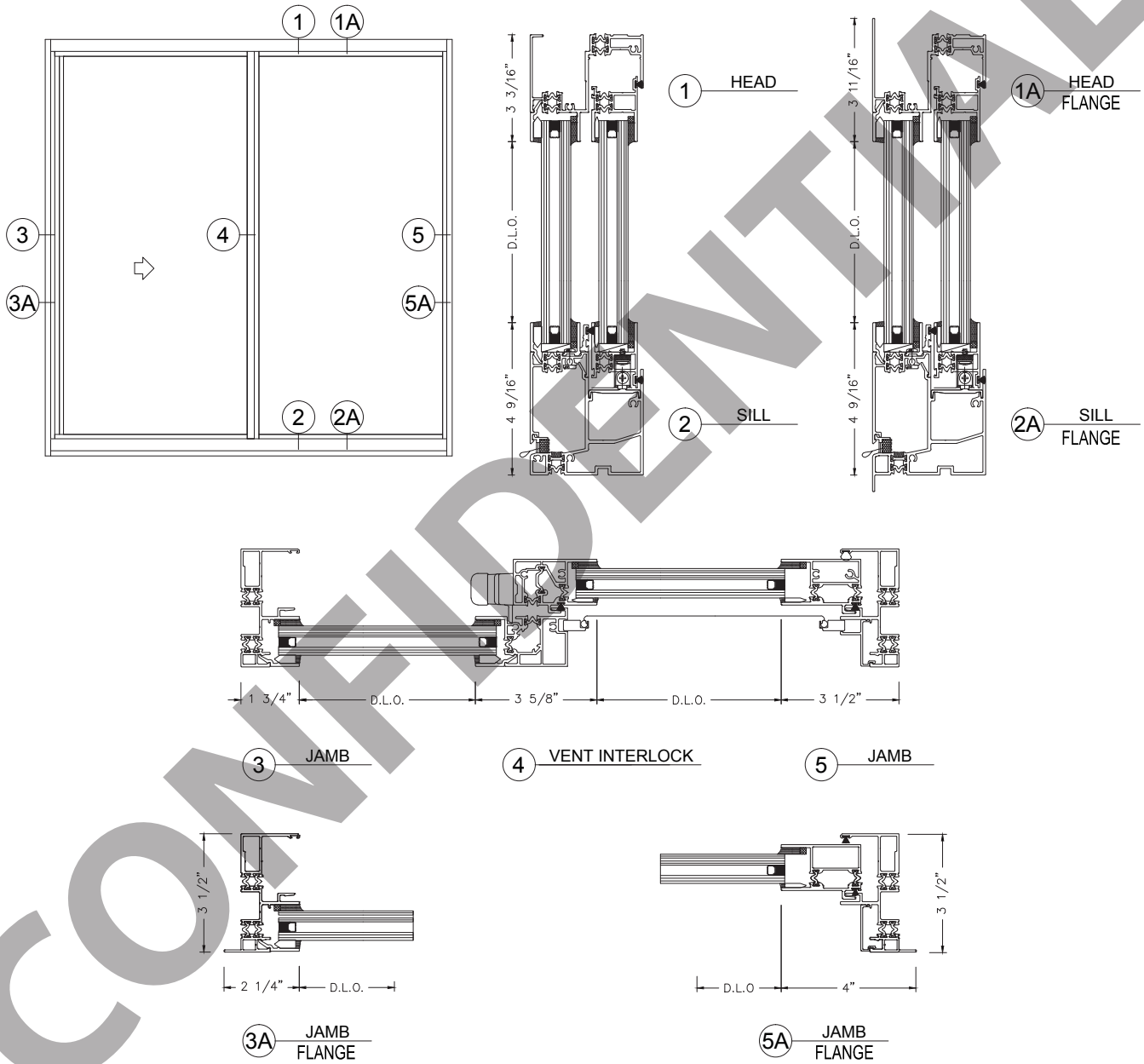
FEATURES:

Flange-type for masonry, wood construction or flush frames for concrete openings.
Surface applied muntins.
Fully weather stripping.
Anodized, painted or wood grain finishes available.
Screens available in aluminum frame and fiberglass mesh.
3 3/8" frame depth w/ insulbar thermal break

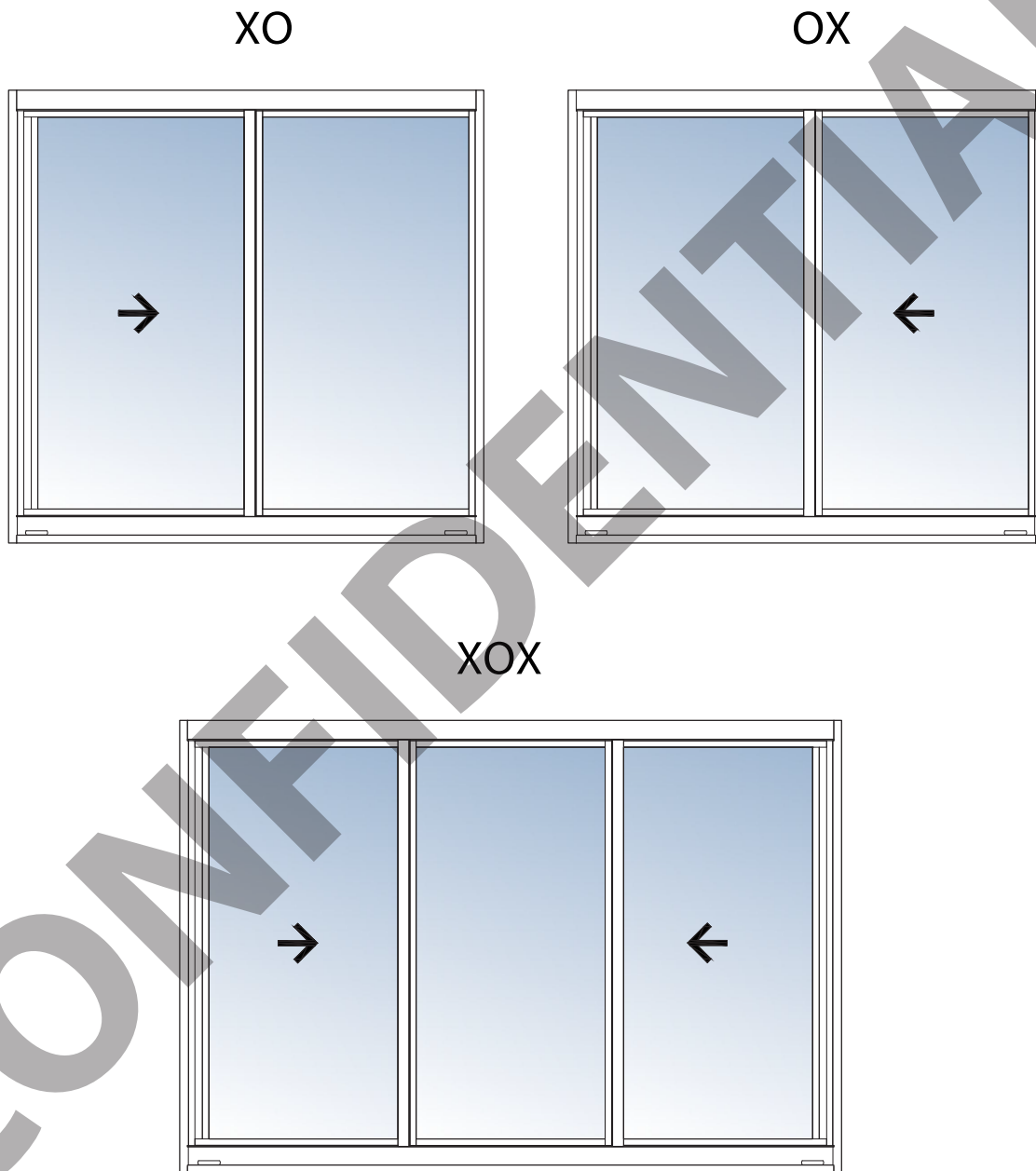
BENEFITS:

Meeting any opening requirements.
Enhances resistance to air and water infiltration.
Various aesthetics options.
Durability improves quality of life.

DETAILS



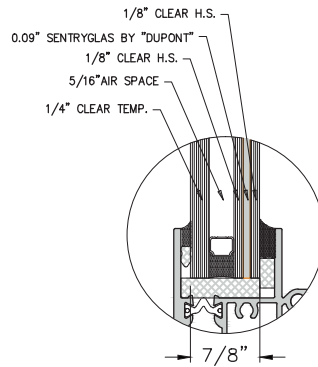
CONFIGURATIONS



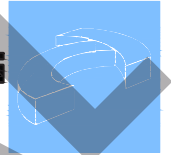
GLASS

INSULATED-LAMINATED GLASS

FINISH:
WALLPAPER
SCREEN PRINTED
DIGITAL PRINTING



TECNOGLASS



For more information on the conditions and finished glasses,
consult with TECNOGLASS ® .

ALUMINIUM

ALLOY 6063
ALLOY 6005



SILICONE

SILICONE

Every silicone used by ESWindows are neutral based which guarantees its durability and excellent performance . The two types of silicone used are:

STRUCTURAL SILICONE:

Dowcorning 983
Dowcorning 995

SILICONE SEALANT:

Dowcorning 791
Dowcorning 1199

ACCESSORIES



ENERGÍA SOLAR ESWINDOWS

DRAWN BY MAYRA PUCHE