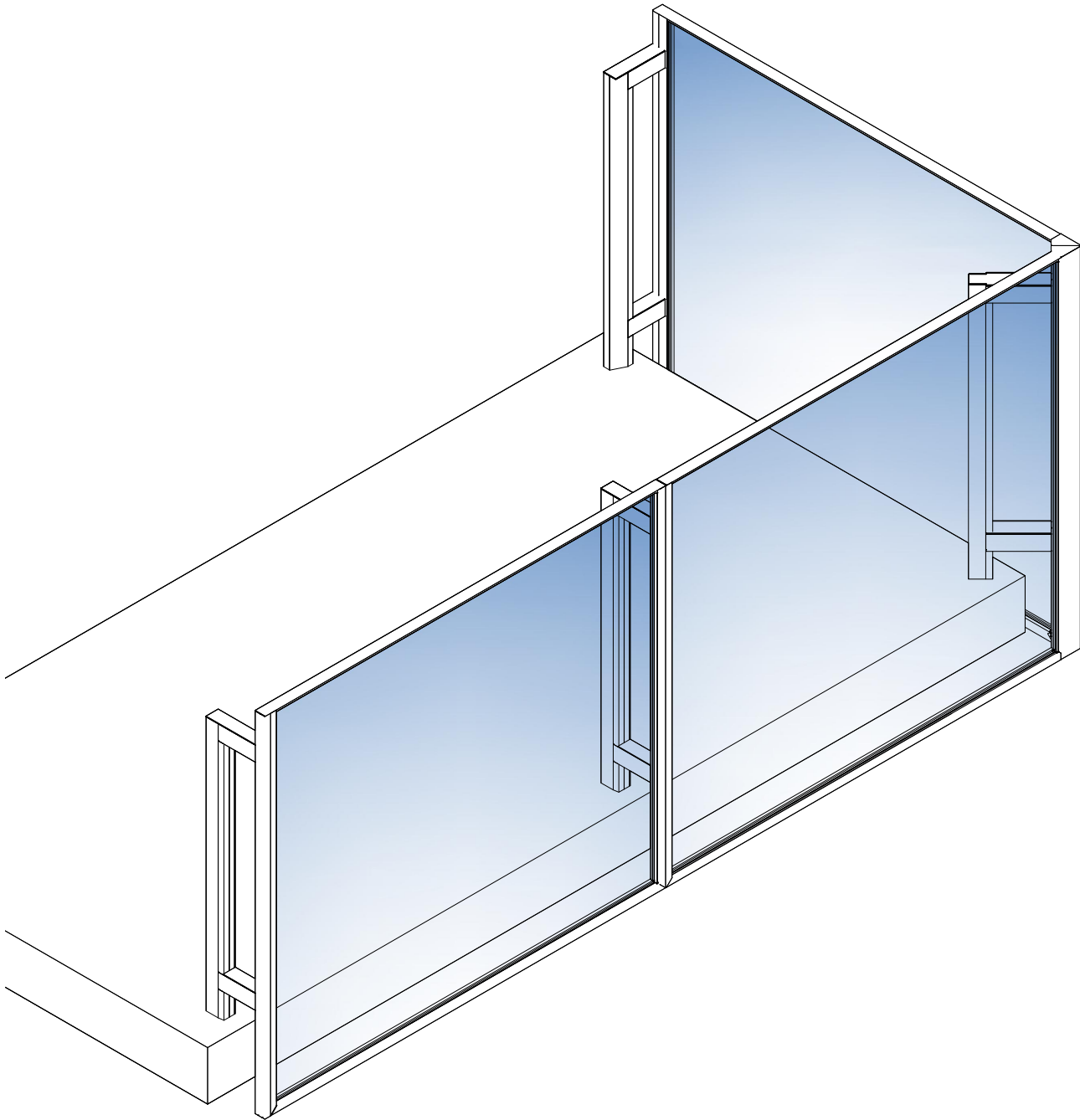


ES-RL3525

RAILING



DESCRIPTION

ES-RL3525 is a glass surface railing system with two variations in design; type one with in front of slab modules and type two with over slab modules. This railing, designed for embedding into concrete, is safe to be used in interiors and exteriors.

SYSTEM DESCRIPTION:

TYPE 1:

- 90° Corner
- Railing depth: 12"
- In front of slab glass modules
- Design loads: +/- 135
- Framed glass panels
- 1/2" tempered glass

TYPE 2:

- 63° and 117° Corner
- Railing depth: 11"
- Over slab glass modules
- Design loads: +/- 140
- 3/8" tempered glass

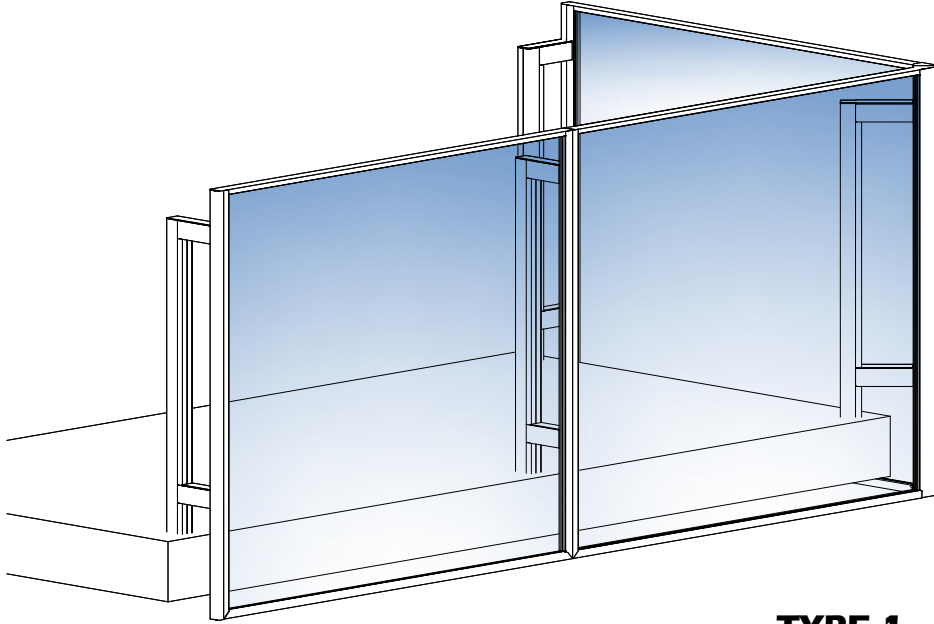
CHARACTERISTICS:

- Weep holes
- For embedding in concrete
- Pull test: 400lb

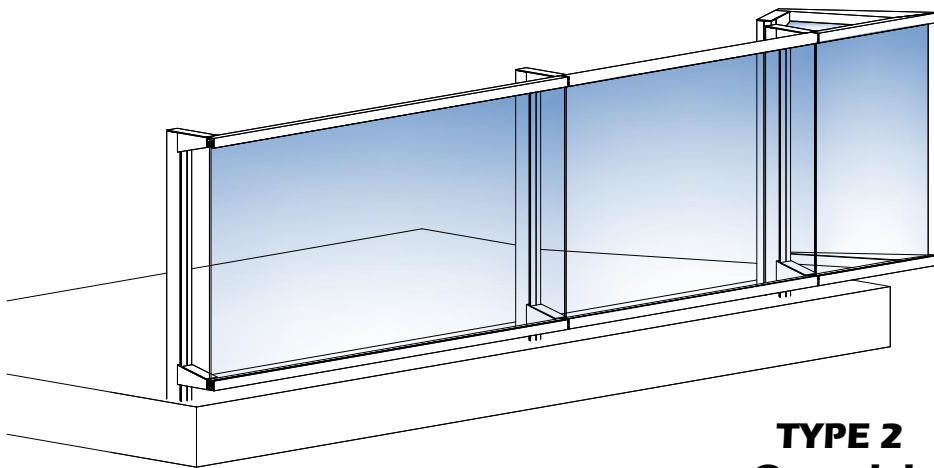
BENEFITS:

- Versatile
- For interior and exterior use
- Corner design
- Tested and Certified

DESIGN VARIATIONS

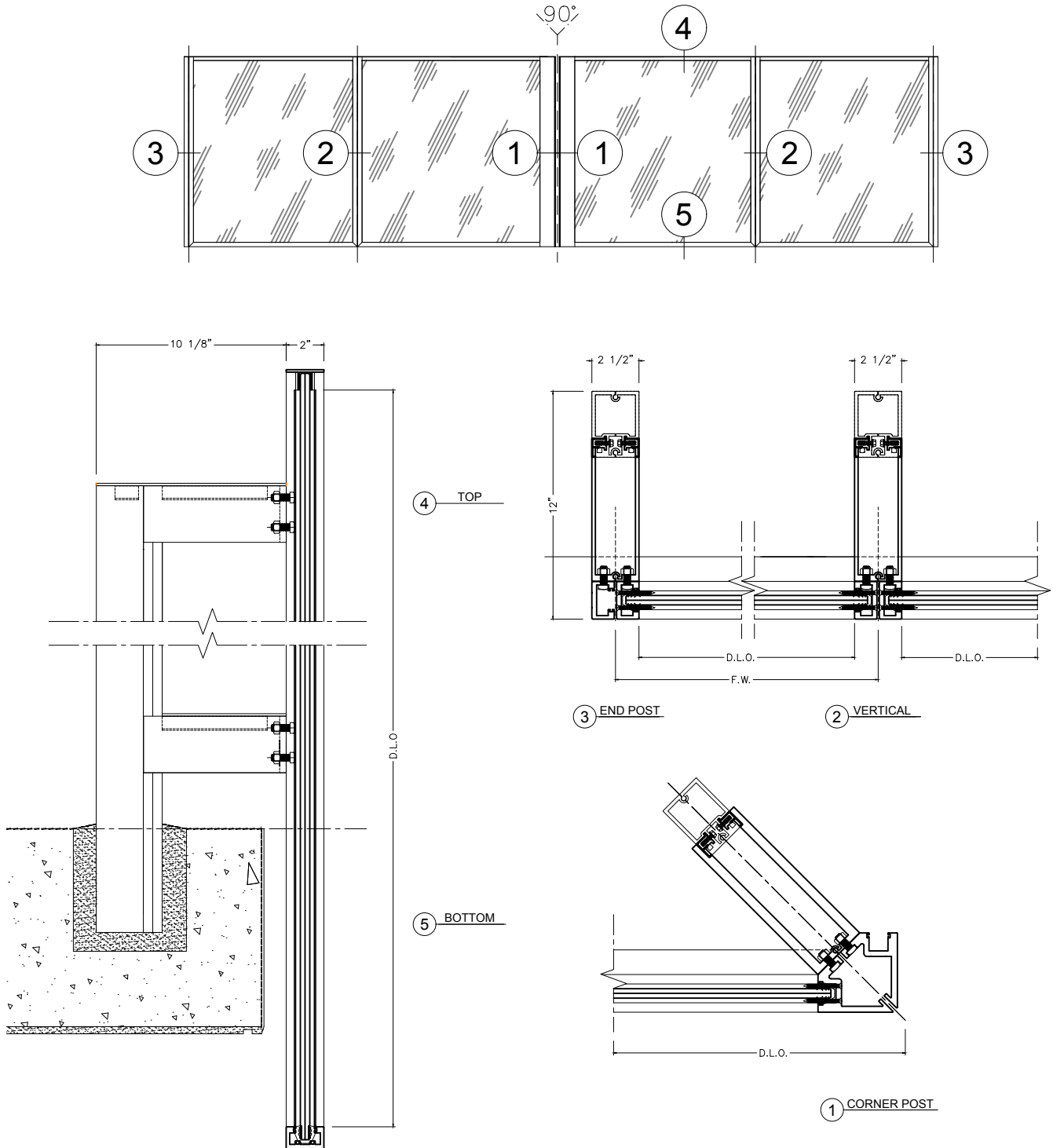


TYPE 1
In front of slab

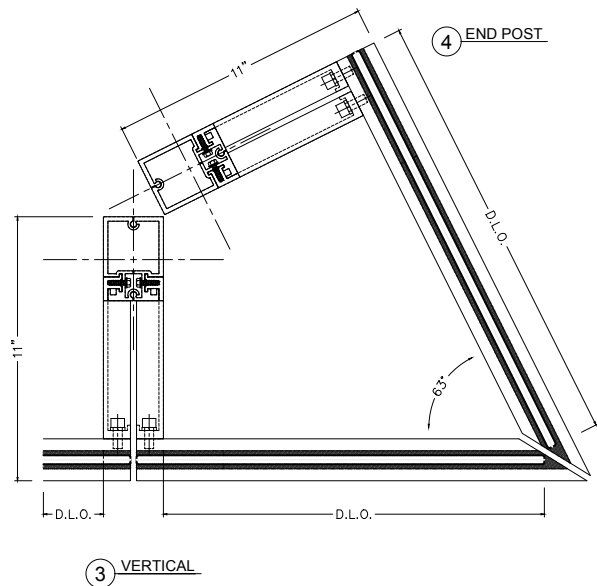
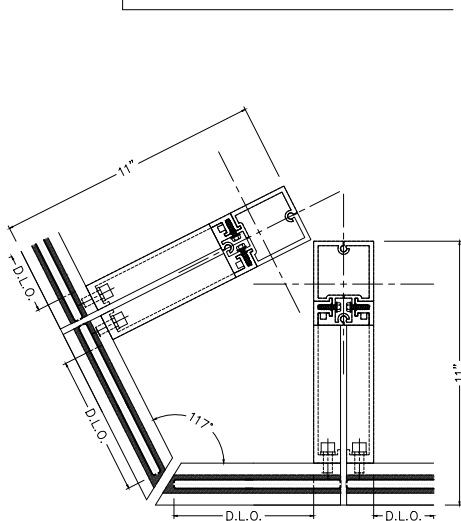
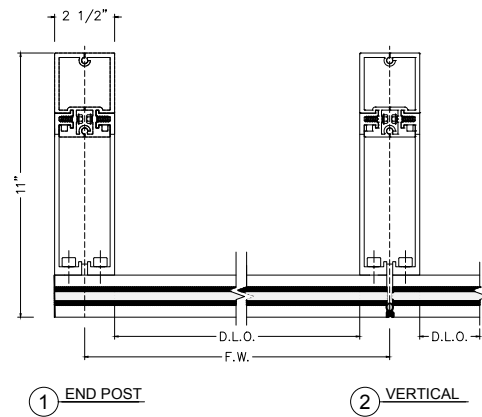
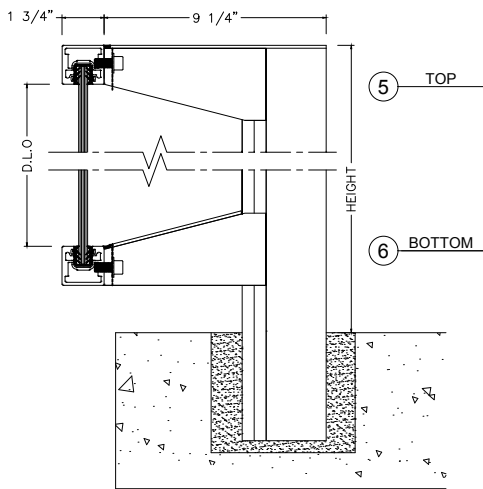
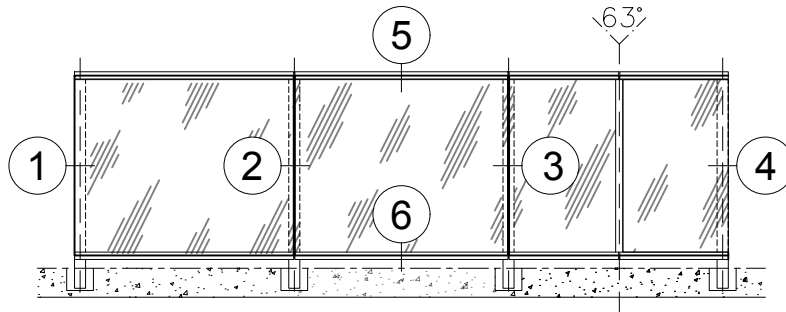


TYPE 2
Over slab

DETAILS TYPE 1



DETAILS TYPE 2



GLASS

TEMPERED GLASS

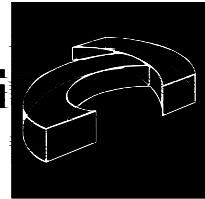
$\frac{3}{8}$ " Clear Tempered Glass (Type 2)
 $\frac{1}{2}$ " Clear Tempered Glass (Type 1)

FINISHES

PAINT
SERIGRAPHY
DIGITAL PRINTING

For more information about glass condition and finishes, consult **TECNOGLASS®**.

TECNOGLASS



ALUMINUM

ALLOY 6063
ALLOY 6005

FINISHES

- | | |
|-----------------------------|------------|
| • Acrinar Arcadia Silver | UCFX10003W |
| • ESP White | UC67122 |
| • Duranar Bone White | UC43350 |
| • Polycrom LG Bronze | UC107473 |
| • Polycrom III KF-200 | UC97603 |
| • Duranar Hateras white | UC105261 |
| • Duranar Sanibel Sand | UC105189 |
| • Duranar Caribbean Creme | UC105191 |
| • Polycrom Bronze | UC98316 |
| • Duranar Bermuda Bronze | UC105262 |
| • Duranar Bocatone | UC105190 |
| • Duranar Bugle Gray | UC85339 |
| • Polycrom III Signal White | UC98884 |



SILICONE

Every silicone used by ESWindows are neutral based which guarantees its durability and excellent performance in the open. The two types of silicone used are:

STRUCTURAL SILICONE:

Sealant capable of supporting high loads. This silicone is commonly used to support the glass in facades and hurricane resistant products.

- Dowcorning 983
- Dowcorning 995

WEATHER SEALANT SILICONE:

Used to seal profile unions to avoid air and water infiltration. Allows sound control.

- Dowcorning 791 (Black - White)
- Dowcorning 1199

ENERGÍA SOLAR ESWINDOWS

DRAWN BY STEFANÍA FERNÁNDEZ.