

DESCRIPTION

ES-1500 is an impact rated fixed window available in a variety of shapes, allowing a wide range of applications. This windows is used to bring light to places with difficult accessibility.

DESCRIPCIÓN DEL SISTEMA:

- Small missile and large missile impact
- 2 5/16" Frame depth
- Designed for multiple laminated glass options
- Water infiltration: 15 psf
- Design Load : +70/-80 psf Large missile impact
- Design Load : +100/-140 psf Small missile impact

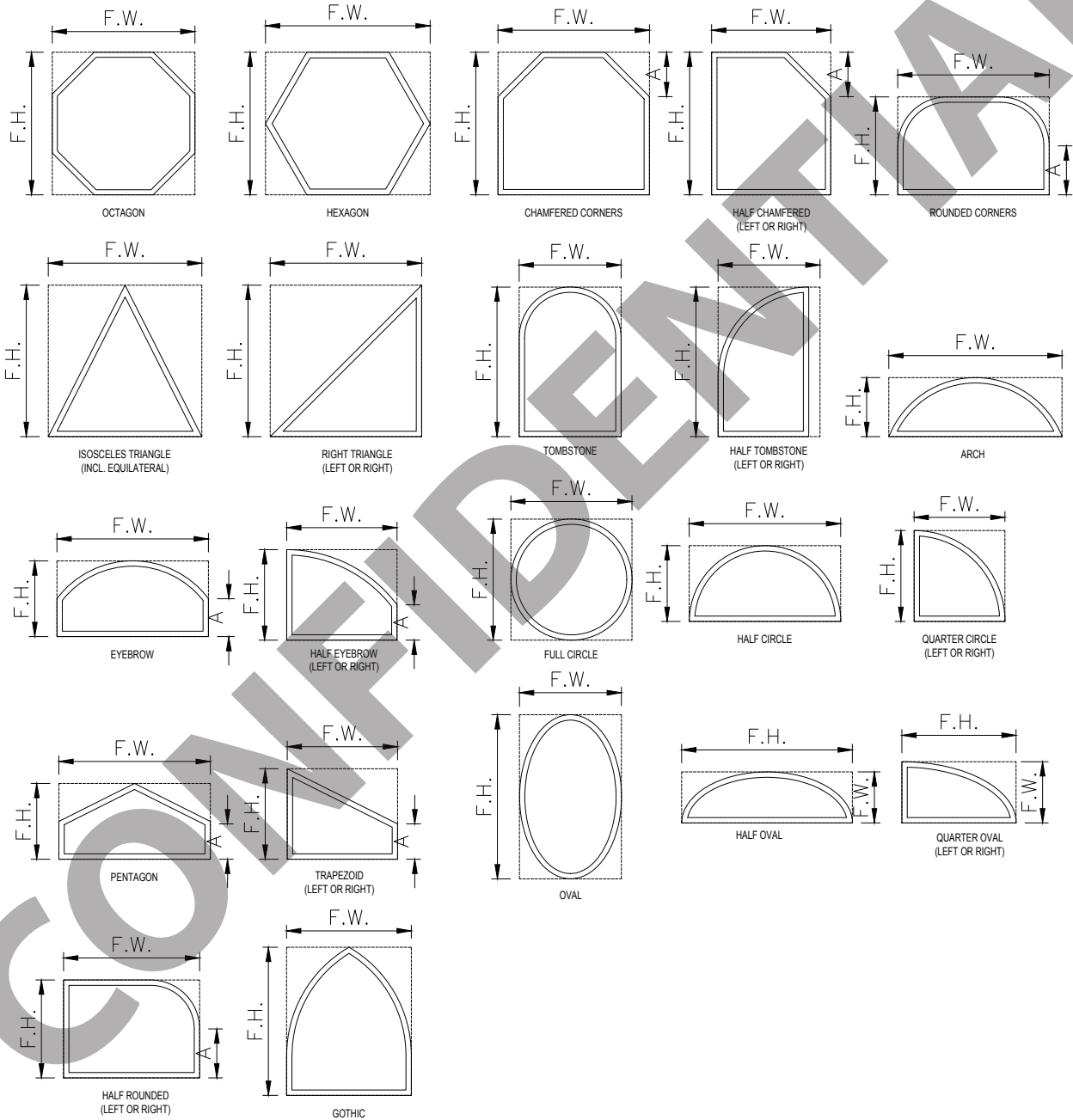
FEATURES:

- Flange frame for masonry and wood construction or flush frame for concrete openings
- Architectural shapes available.
- Anodized, painted or wood grain finishes available
- Surface applied ogee or flat muntins

BENEFITS:

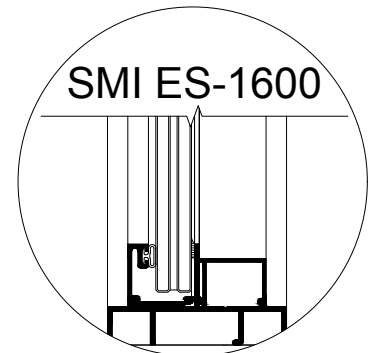
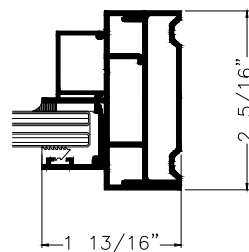
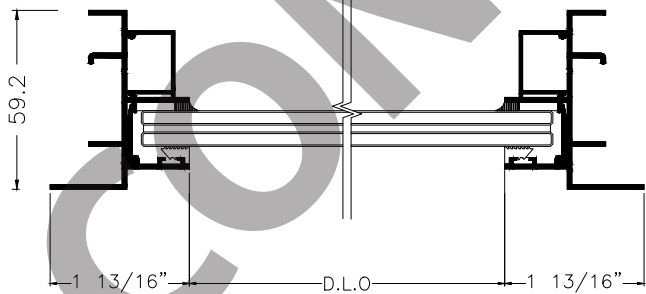
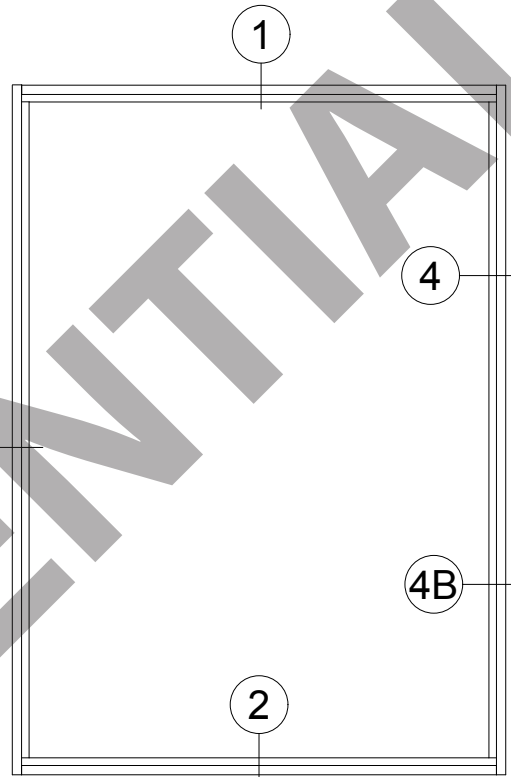
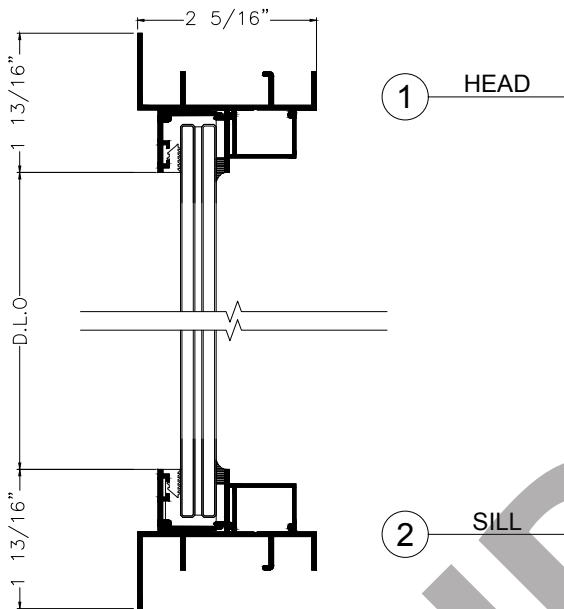
- Versatile.
- Enhanced resistance to water infiltration.
- Easy to install.

SHAPES AVAILABLE



DETAILS

LMI ES-1500



GLASS

3/8" and 1/2" LAMINATED GLASS.

GLASS FINISH:

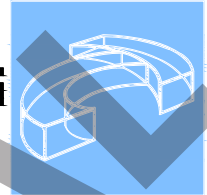
PAINTED

SCREEN PRINTED

DIGITAL PRINTED

For more information please contact to **TECNOGLASS®** or visit www.tecnoglass.com

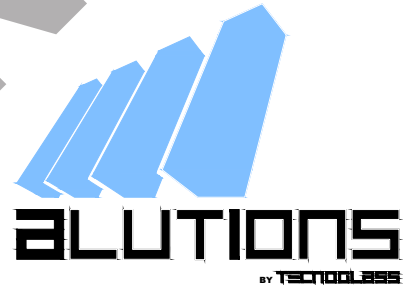
TECNOGLASS



ALUMINUM

ALLOY 6063-T6
ALLOY 6005-T5

For more information about aluminum and finishes consult **ALUTIONS®**.



SEALANT

APPROVED SILICONE SEALS:

WEATHERPROOFING SILICONE:

Used to seal profile unions to avoid air and water infiltration.

- Dowcorning 79 I (Black-White)

STRUCTURAL SILICONE:

Besides acting as a sealant it is capable to support high loads. This silicone is commonly used to support the glass in facades and hurricane resistant products.

- Dowcorning 983
- Dowcorning 995

ENERGÍA SOLAR **ESWINDOWS**

Av. Circunvalar a 100 mts de la Via 40 Las Flores
Barranquilla, Colombia PBX: (57 5) 3664600
servicioalcliente@energiasolarsa.com , PBX: (+57) 5 3664600

DRAWING BY SARIEL GONZALEZ M