

FIXED/PROJECT OUT & CASEMENT WINDOW



System Description

- Frame depth: 2 1/2".
- SMI & LMI (Small & large missile impact)
- Designed for 9/16" and 1 3/16" insulating-laminated glass.

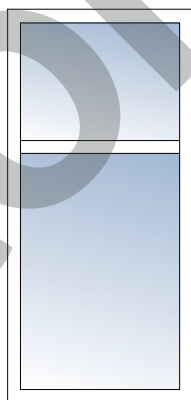
Features

- Multi point lock.
- Enhanced thermal performance.
- Head receptor, subsill and strap anchors option.
- Heavy duty stainless steel for bar hinge or butt hinges.

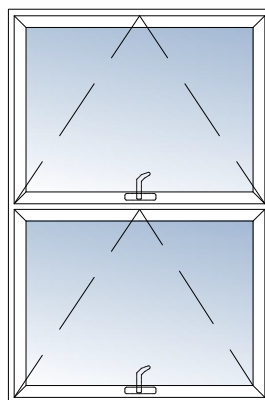
Test

- Design loads: SMI+95/-105 PSF.
LMI+95/-105 PSF.
- Water infiltration: 17.1 PSF.
- Air infiltration: 6.24 PSF.

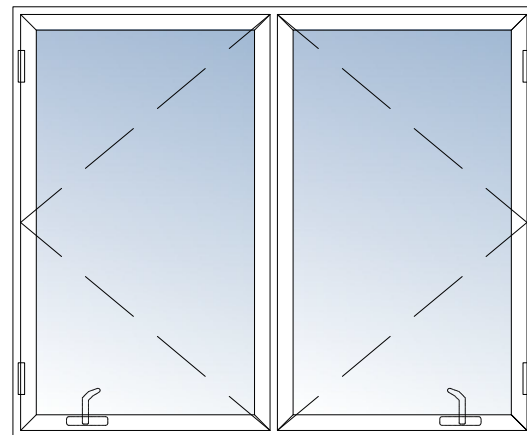
Configurations



Fixed

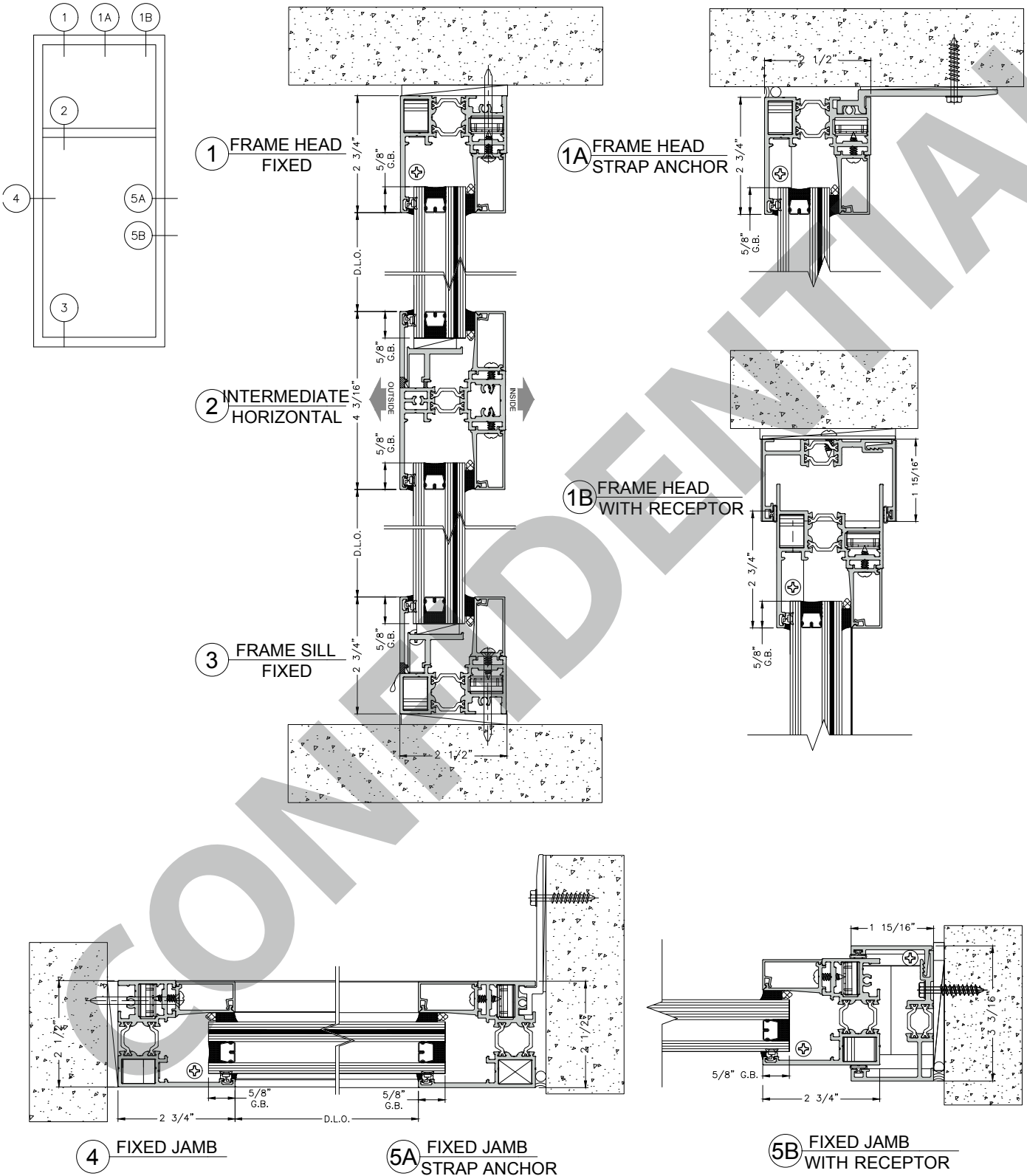


Project out

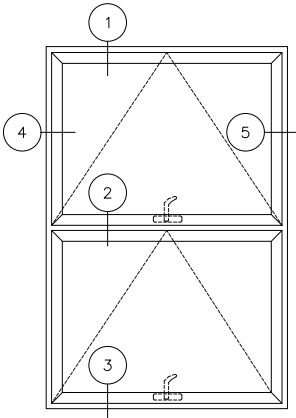


Casement

Details



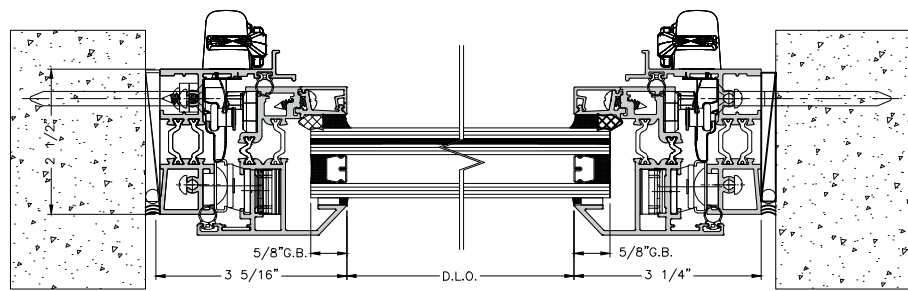
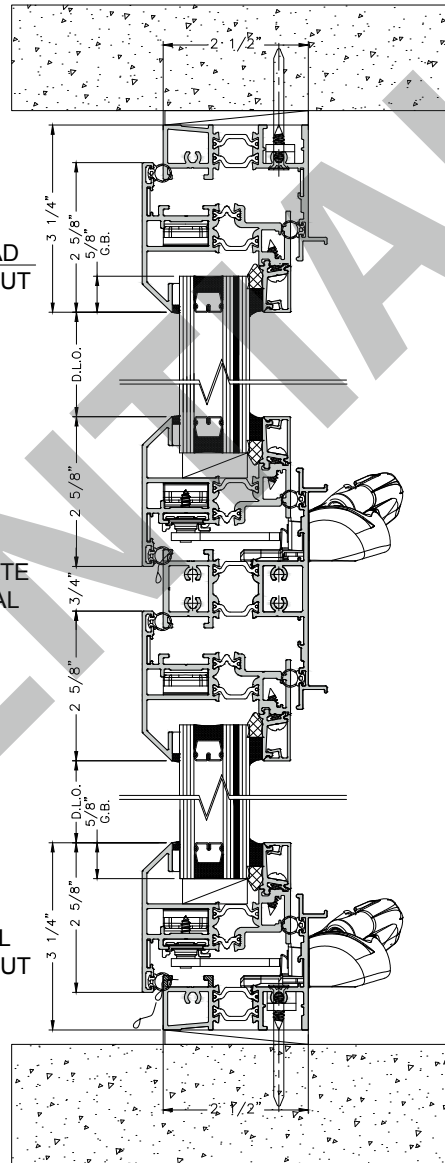
Details



1 FRAME HEAD PROJECT OUT

2 INTERMEDIATE HORIZONTAL

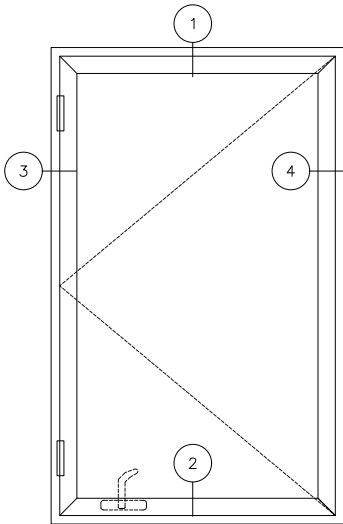
3 FRAME SILL PROJECT OUT



4 JAMB

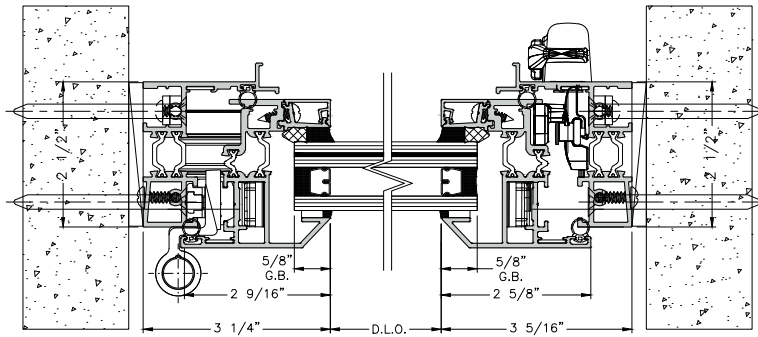
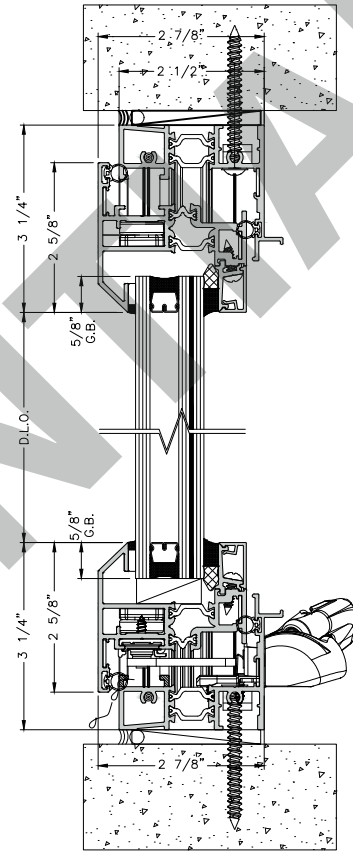
5 JAMB

Details



1 FRAME HEAD CASEMENT

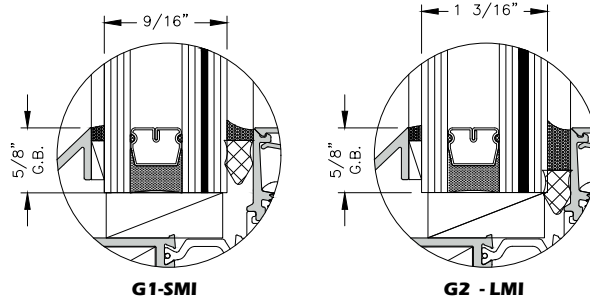
2 FRAME SILL CASEMENT



4 JAMB

5 JAMB

Glazing Options



GL1: 1/4" Temp + 1/2" air spacer + 3/16" Heat Stren'd + 0.060" PVB + 3/16" Heat Stren'd glass.
 GL2: 1/4" Temp + 1/2" air spacer + 3/16" Heat Stren'd + 0.090" Sentryglas + 3/16" Heat Stren'd glass.

GLASS FINISH: Painted, serigraphy and digital printed.
 For more information contact TECNOGLASS® or visit www.tecnoglass.com

Aluminum

ALLOY 6063-T6
 ALLOY 6063-T5
 ALLOY 6005-T5

For more information about aluminum and finishes consult ALUTIONS®.

Sealant

APPROVED SILICONE SEALS:

WEATHERPROOFING SILICONE:

Used to seal profile unions to avoid air and water infiltration.

- Dowcorning 791 (Black-White)

STRUCTURAL SILICONE:

Besides acting as a sealant it is capable to support high loads. This silicone is commonly used to support the glass in facades and hurricane resistant products.

- Dowcorning 983
- Dowcorning 995

Measurements

Maximum sizes per panel:

Width 48"
 Height 84"

For more information about dimensions consult System Notice of acceptance (NOA).