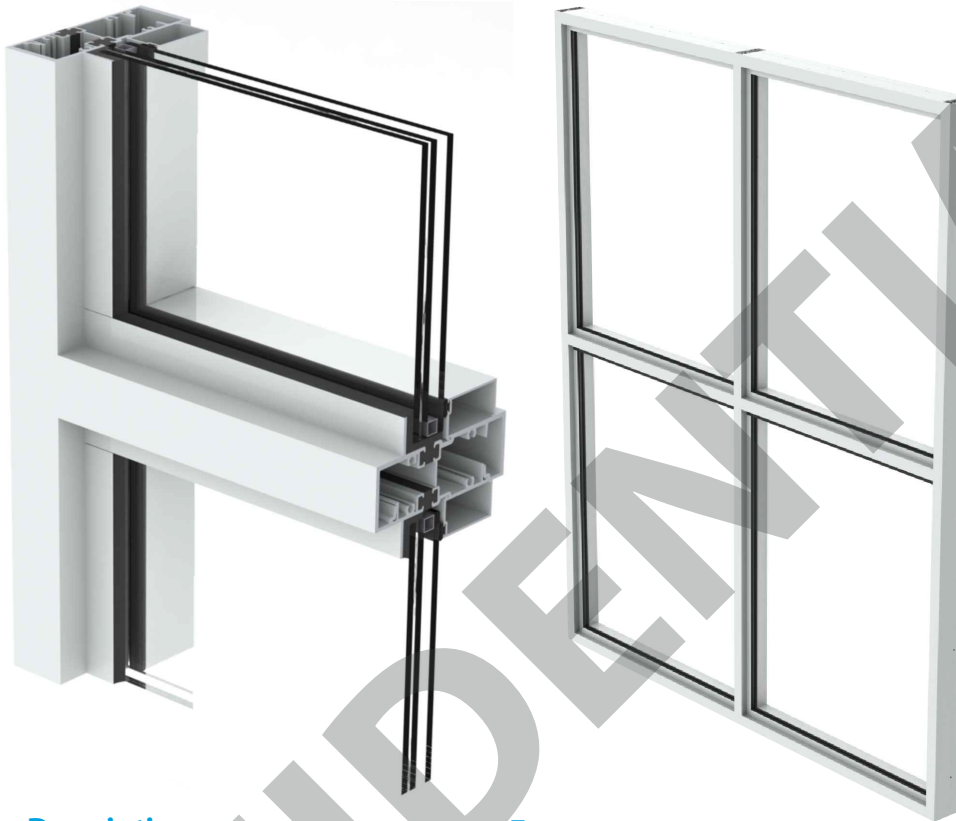


# STOREFRONT SYSTEM

www.eswindows.com

ES-8000T



## System Description

- Large missile impact.
- Frame depth: 5".
- Thermally broken system.
- Designed for: Insul-lam. glass.

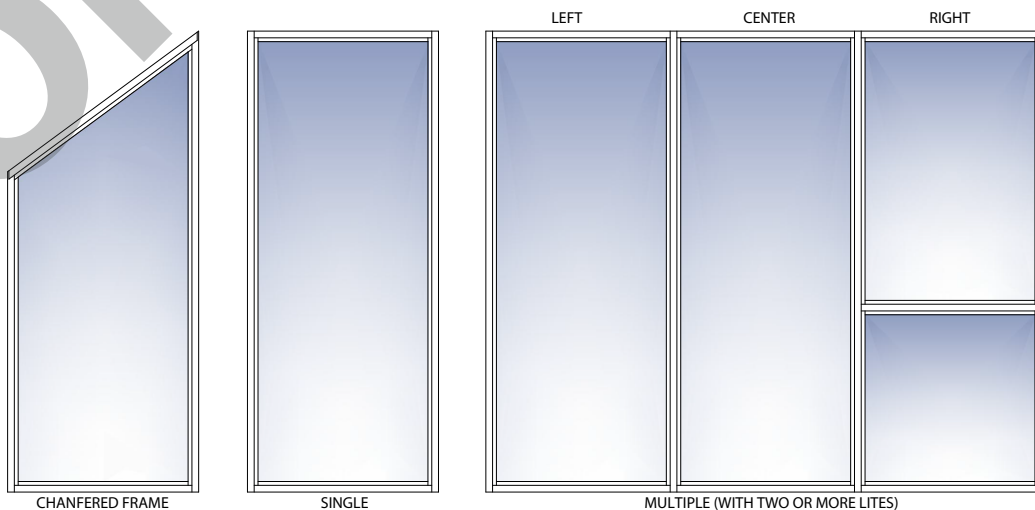
## Features

- Screw cover.
- Pour and debrige.
- Pre-assembled and pre-glazed.
- Surface applied ogee or flat muntins.
- Anodized, painted or wood grain finishes available.

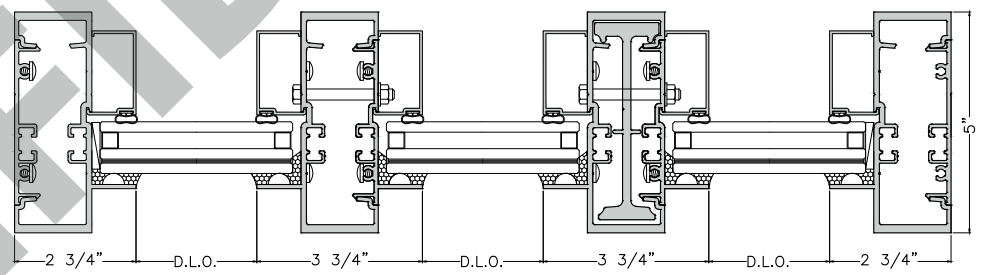
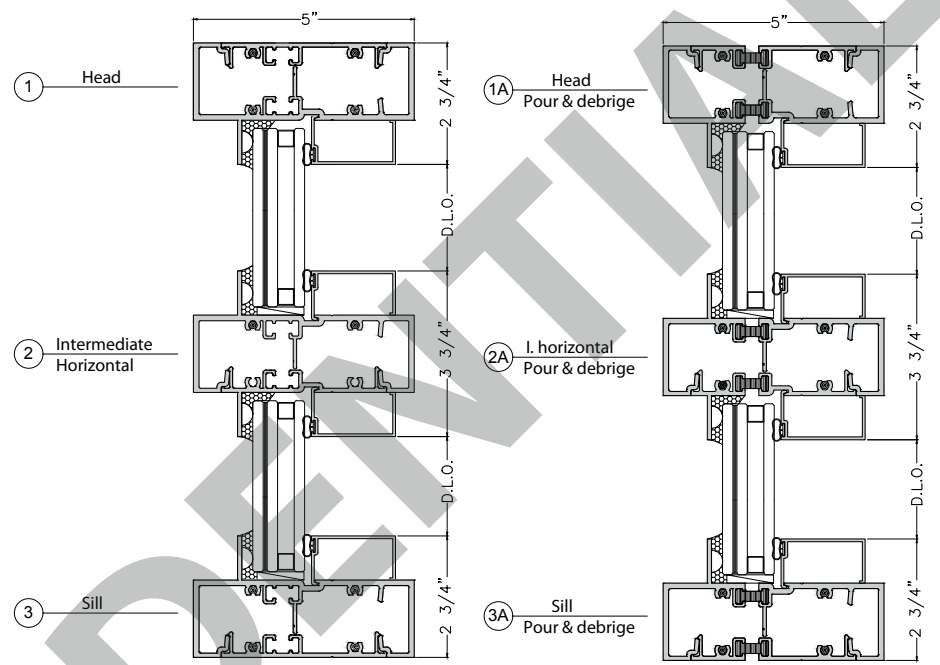
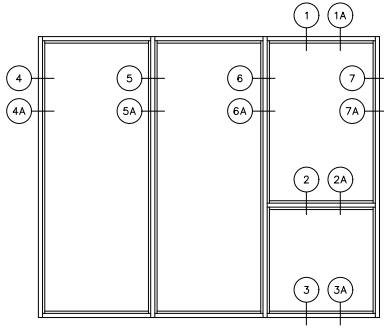
## Test

- Design loads: +90/-120 psf.
- Water infiltration: 13.5 psf.
- Air infiltration: 6.25 psf.

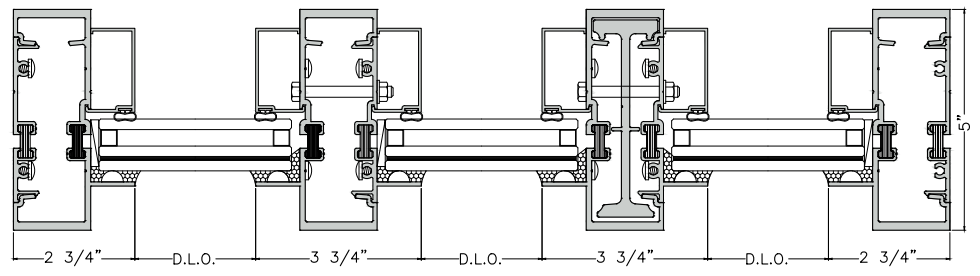
## Configurations



System details



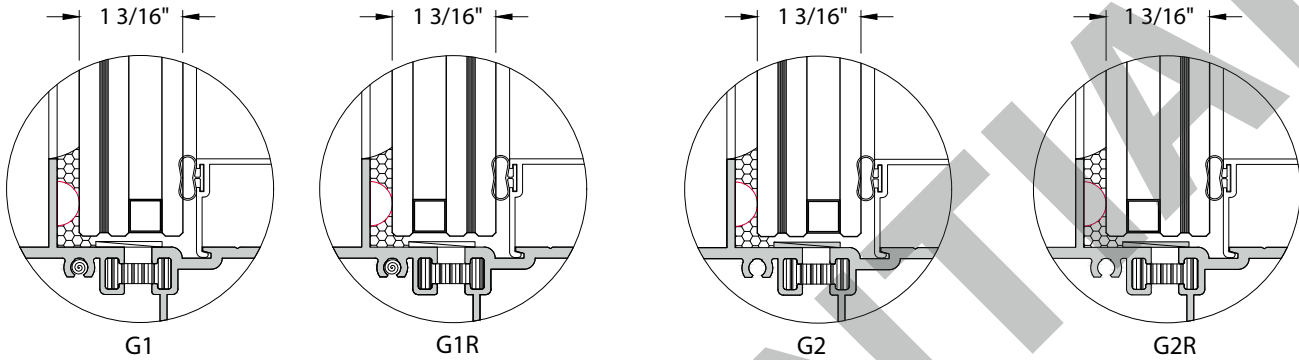
4 Left jamb      5 Vertical mullion      6 Vertical mullion with reinforcement      7 Right jamb



4A Left jamb Pour & debrige      5A Vertical mullion Pour & debrige      6A Vertical w. reinf. Pour & debrige      7A Right jamb Pour & debrige

## Glazing Options

Large missile impact:



- G1: 1/4" Heat Stren'd glass + .090" PVB + 1/4" Heat Stren'd glass + 3/8" Air spacer+1/4" Temp. glass.  
 G1R: 1/4" Temp. glass + 3/8" Air spacer + 1/4" Heat Stren'd glass + .090" PVB + 1/4" Heat Stren'd glass.  
 G2: 1/4" Heat Stren'd glass + .090" Sentryglass + 1/4" Heat Stren'd glass + 3/8" Air spacer+1/4" Temp. glass.  
 G2R: 1/4" Temp. glass + 3/8" Air spacer + 1/4" Heat Stren'd glass + .090" Sentryglass + 1/4" Heat Stren'd glass.

GLASS FINISH: Painted, serigraphy and digital printed.  
 For more information contact TECNOGLASS® or visit [www.tecnoglass.com](http://www.tecnoglass.com).

### Measurements

Maximum sizes per panel:  
 Width: 44 1/4" Height: 144"

### Aluminum

ALLOY 6063-T6  
 For more information about aluminum and finishes  
 consult ALUTIONS®.

### Sealant

APPROVED SILICONE SEALS:

WEATHERPROOFING SILICONE:

Used to seal profile unions to avoid air and water infiltration.

- DowSill 791 (Black-White)

STRUCTURAL SILICONE:

Besides acting as a sealant it is capable to support high loads. This silicone is commonly used to support the glass in facades and hurricane resistant products.

- DowSill 983
- DowSill 995