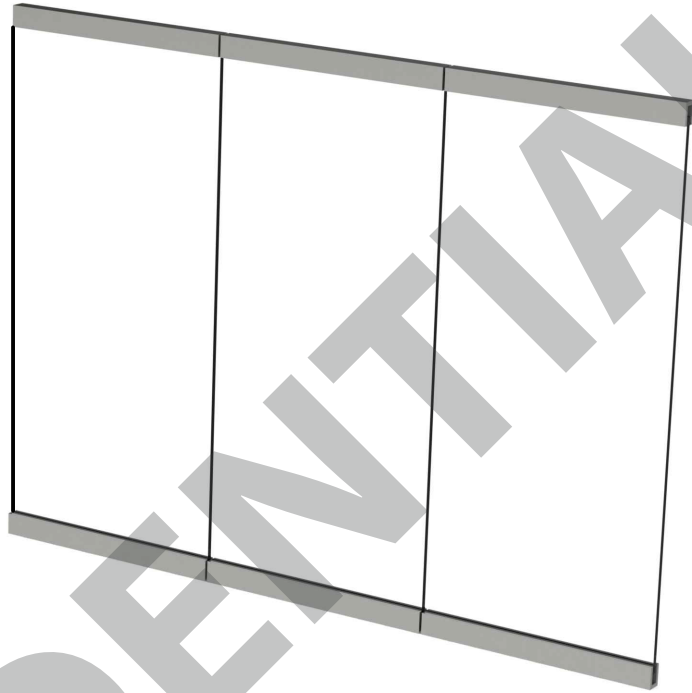


FIXED WINDOW

www.eswindows.com

ES-FX3050



System Description

- Bottom rail depth: 4 3/4".
- Bottom rail width: 3 3/8".
- Designed for: 1 1/8" laminated glass.

Features

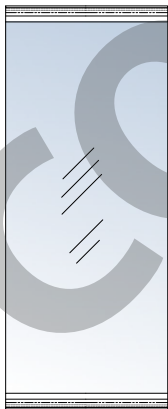
- Top and bottom rail options.
- Multiple module option available.
- Corner option available (1 1/8" glass).
- Painted, wood or anodized finishes available.

Test

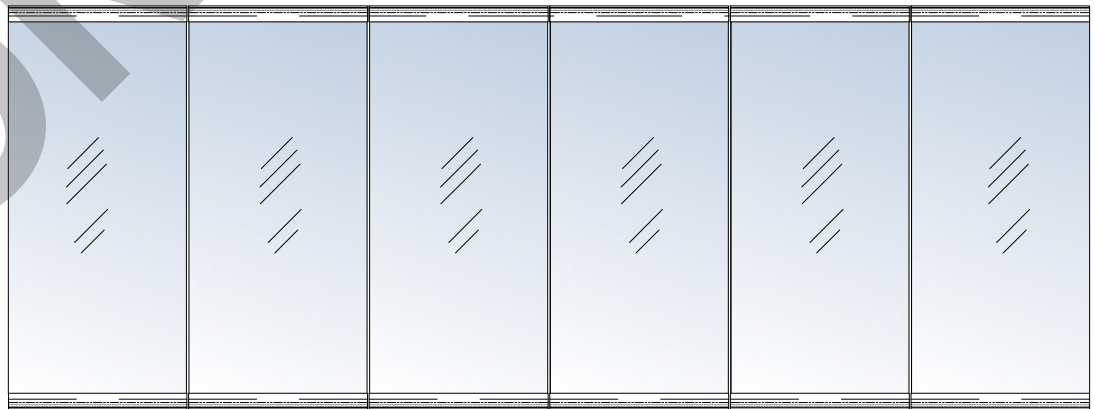
- Design loads: +100/- 100 PSF.
- Water infiltration: 15 PSF.

For further information consult test report

Configurations

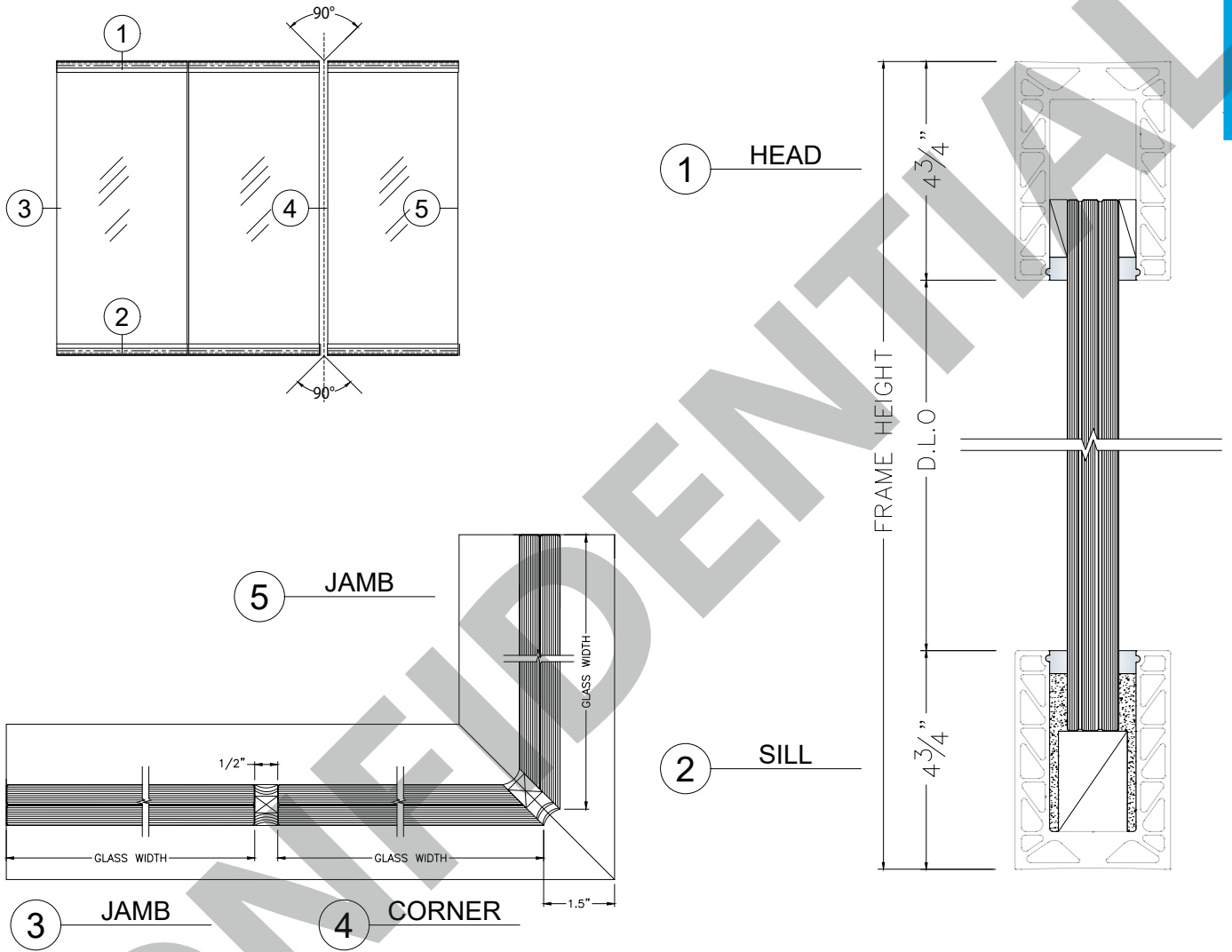


Single module

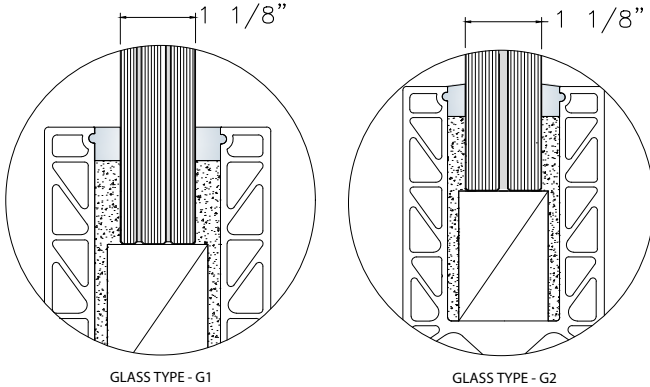


Multiple module (With or without corner)

System details



Glazing Options



- G1: 1/4" Temp. glass + 0.060" SGP + 3/8" Temp. glass + 0.060" SPG + 3/8" Temp. glass
 G2: 1/2" Temp. glass + 0.120" SGP + 1/2" Temp. glass (For corner configurations only).

GLASS FINISH: Painted, serigraphy and digital printed.

For more information contact TECNOGLASS® or visit www.tecnoglass.com

Aluminum

ALLOY 6063-T6
 ALLOY 6005-T5

For more information about aluminum and finishes consult ALUTIONS®.

Sealant

APPROVED SILICONE SEALS:

WEATHERPROOFING SILICONE:

Used to seal profile unions to avoid air and water infiltration.

- Dowcorning 791 (Black-White)

STRUCTURAL SILICONE:

Besides acting as a sealant it is capable to support high loads. This silicone is commonly used to support the glass in facades and hurricane resistant products.

- Dowcorning 983
- Dowcorning 995

Measurements

Maximum sizes per panel:

Width: 54 1/2"
 Height: 120"