

# WINDOW WALL

www.eswindows.com

ES-WW1025T



## System description

- Frame depth: 10" ·
- Sight line: 2 1/2" ·
- Designed for 1" insulated glass.

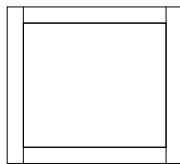
## Features

- Preassembled and pre-glazed.
- Inside or outside reglaze.
- SSG mullions and intermediate horizontals option.
- Head receptor and integrated slab cover available.

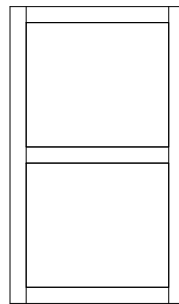
## Test & Certifications

- Design Load: +75/-50 psf
- Water infiltration: 15 psf
- U Value: 0.35 (estimated) (with 1/4" SB60 - 1/2" argon -1/4" clear).

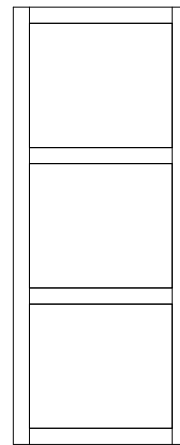
## Configurations



SINGLE

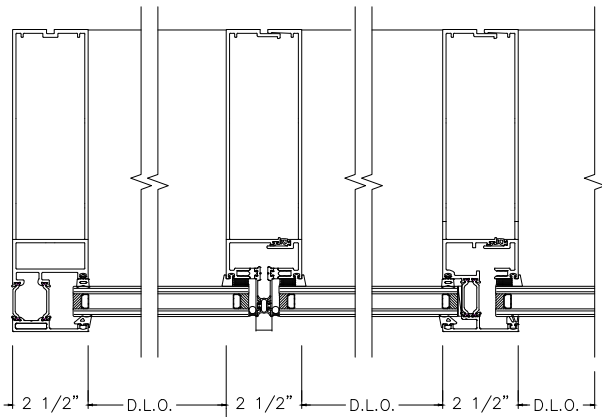
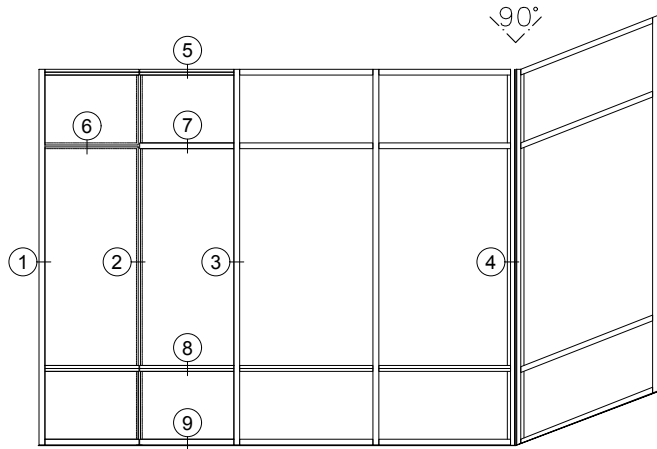


2 LITES

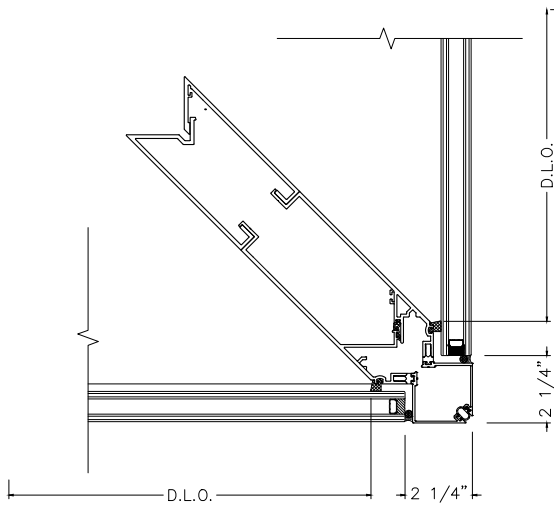


3 LITES

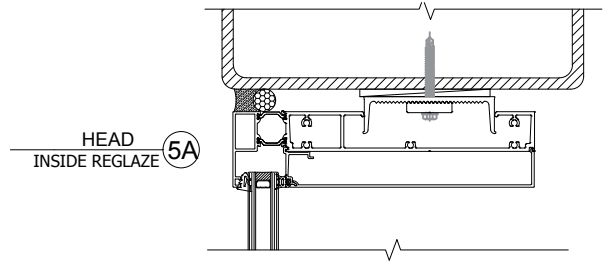
# DETAILS



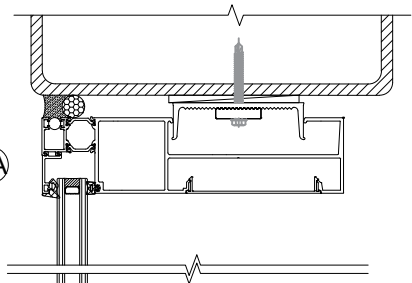
① JAMB      ② MULLION      ③ MULLION



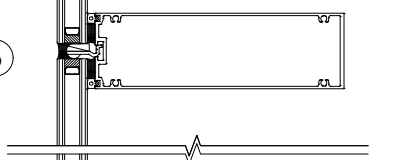
④ CORNER 90



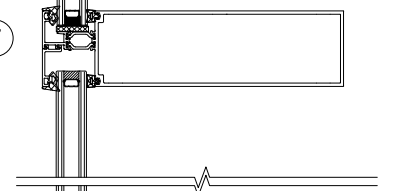
HEAD ⑤A  
INSIDE REGLAZE



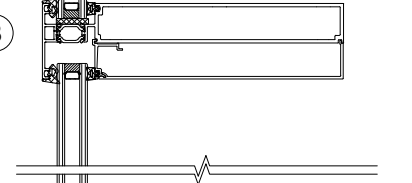
HEAD ⑤A  
OUTSIDE REGLAZE



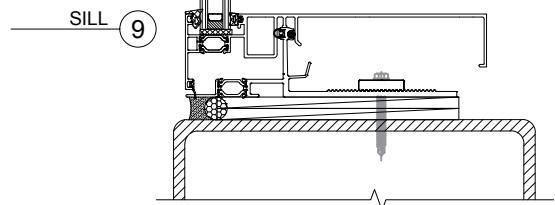
HORIZONTALSSG ⑥  
OUTSIDE REGLAZE



INTERMEDIATE ⑦  
OUTSIDE REGLAZE



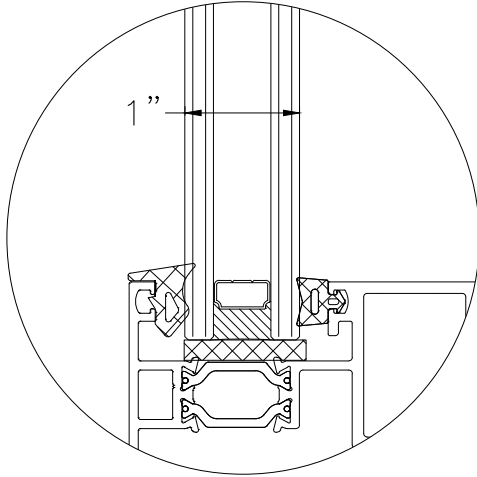
INTERMEDIATE ⑧  
INSIDE REGLAZE



SILL ⑨

GLAZING OPTIONS

INSULATED GLASS



DESIGNED FOR 1" INSULATED GLASS

- 1/4" Heat Strean'd + 1/2" air spacer + 1/4" Heat Strean'd.

GLASS FINISH:

- PAINTED.
- SERIGRAPHY.
- DIGITAL PRINTED.

For more information please contact TECNOGLASS® or visit [www.tecnoglass.com](http://www.tecnoglass.com)

Insulating laminated glass

ALUMINIUM

ALLOY 6063-T6  
ALLOY 6063-T5

For more information about aluminum and finishes consult ALUTIONS®.

MEASUREMENTS

Minimum sizes:  
16" width x 16" height.

Maximum sizes:  
38 3/8" width x 163 3/4" height.

SEALANT

APPROVED SILICONE SEALS:

WEATHERPROOFING SILICONE:

Used to seal profile unions to avoid air and water infiltration.

- Dowcorning 791 (Black-White)

STRUCTURAL SILICONE:

Besides acting as a sealant it is capable to support high loads. This silicone is commonly used to support the glass in facades and hurricane resistant products.

- Dowcorning 983
- Dowcorning 795