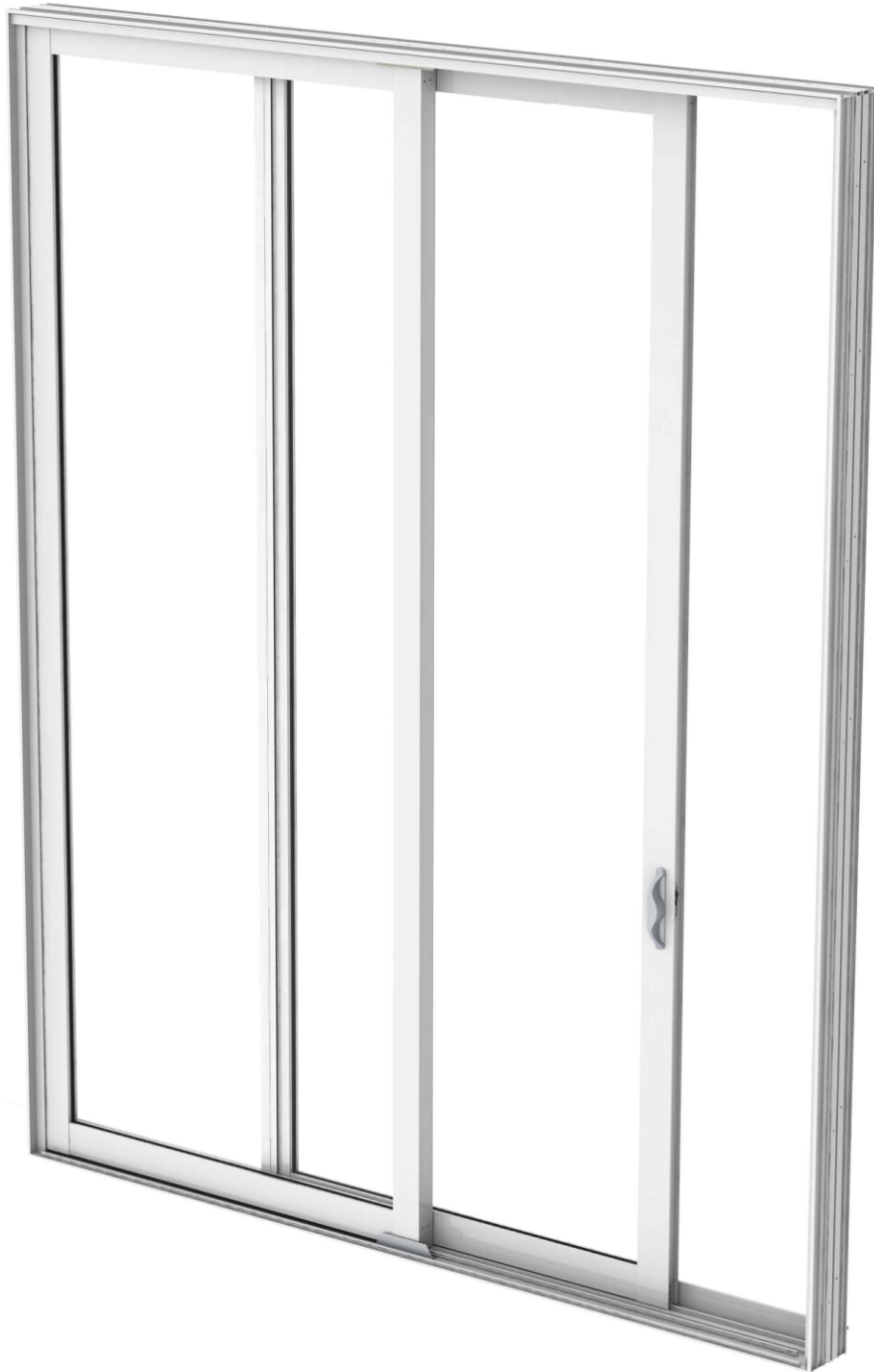


INSTALLATION INSTRUCTIONS

ES-6000/6100



HSEQ REGULATIONS

Read all instructions carefully before attempting this procedure. If you have any questions about your ability to complete this procedure, contact ESWINDOWS for further direction.

If swing stages are required for installation, the HSEQ inspector must approve the permissions.

- Wear the necessary personal protective equipment for product installation.
- Take safety precautions when performing the activity.
- Please follow the steps and make sure you have appropriate personal protective equipment and follow the rules established by the guidance for working at height, if required to do so.

IMPORTANT:

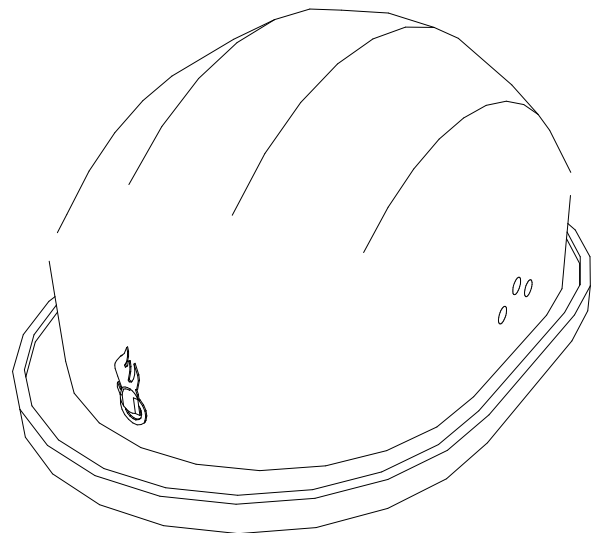
Contractors must have and execute an adequate QA/QC policy to guarantee the product installation is within industry standards and ESW guidelines. Once the product is received in acceptance by the contractor, any damage or installation problems are no longer responsibility of ESWINDOWS.

INTRODUCTION

ES-6000/6100, sliding glass door system.

This guide illustrates step by step how to install the system properly.

Prior to installation process check that all parts and materials are in right conditions, verify that the quantities and descriptions match production drawings.



INSTALLATION INSTRUCTIONS

TOOLS AND SUPPLIES REQUIRED FOR INSTALLATIONPage 2

PARTS REQUIRED FOR INSTALLATIONPage 3

INSTALLATION

STEP 1
Inspection and VerificationPage 4

STEP 2
Frame assembly.....Page 5

STEP 3
Install Frame.....Page 6-11

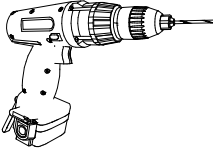

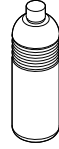
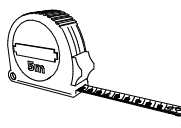

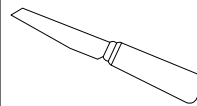
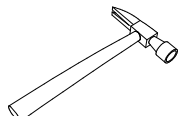
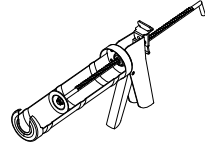
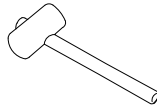
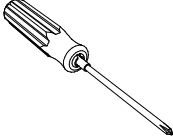
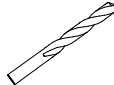
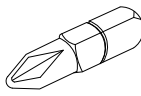
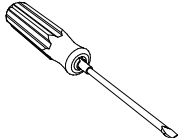
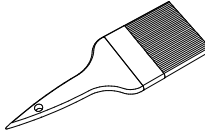
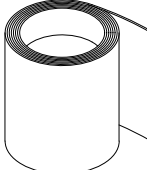
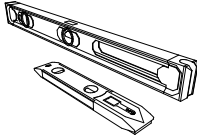
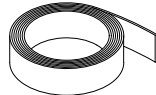
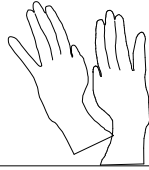
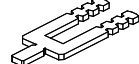
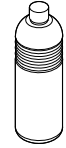
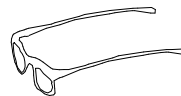
STEP 4
Install door panels.....Page 12-15

PASO 5
Install AccessoriesPage 16-20


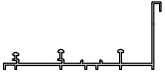
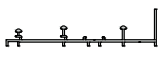
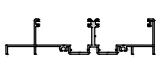



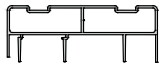
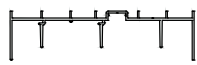
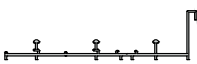


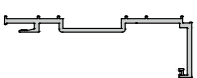
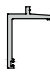

PASO 6
Seal door Perimeter.....Page 21

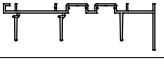

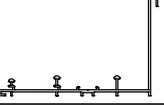





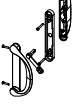



REVIEW

TOOLS AND SUPPLIES FOR INSTALLATION

Detail	Description	Detail	Description	Detail	Description
	Drill		Plumb		Thinner
	Measure tape		Thread		Knife
	Hammer		Industrial Silicone gun		Mallet
	Phillips screwdriver		Bits for concrete		Point
	Slot screwdriver		Brush		Clean rag
	Level		Masking tape		Safety gloves
	Plastic shims		Isopropyl alcohol		Safety glasses

INSTALLATION INSTRUCTIONS

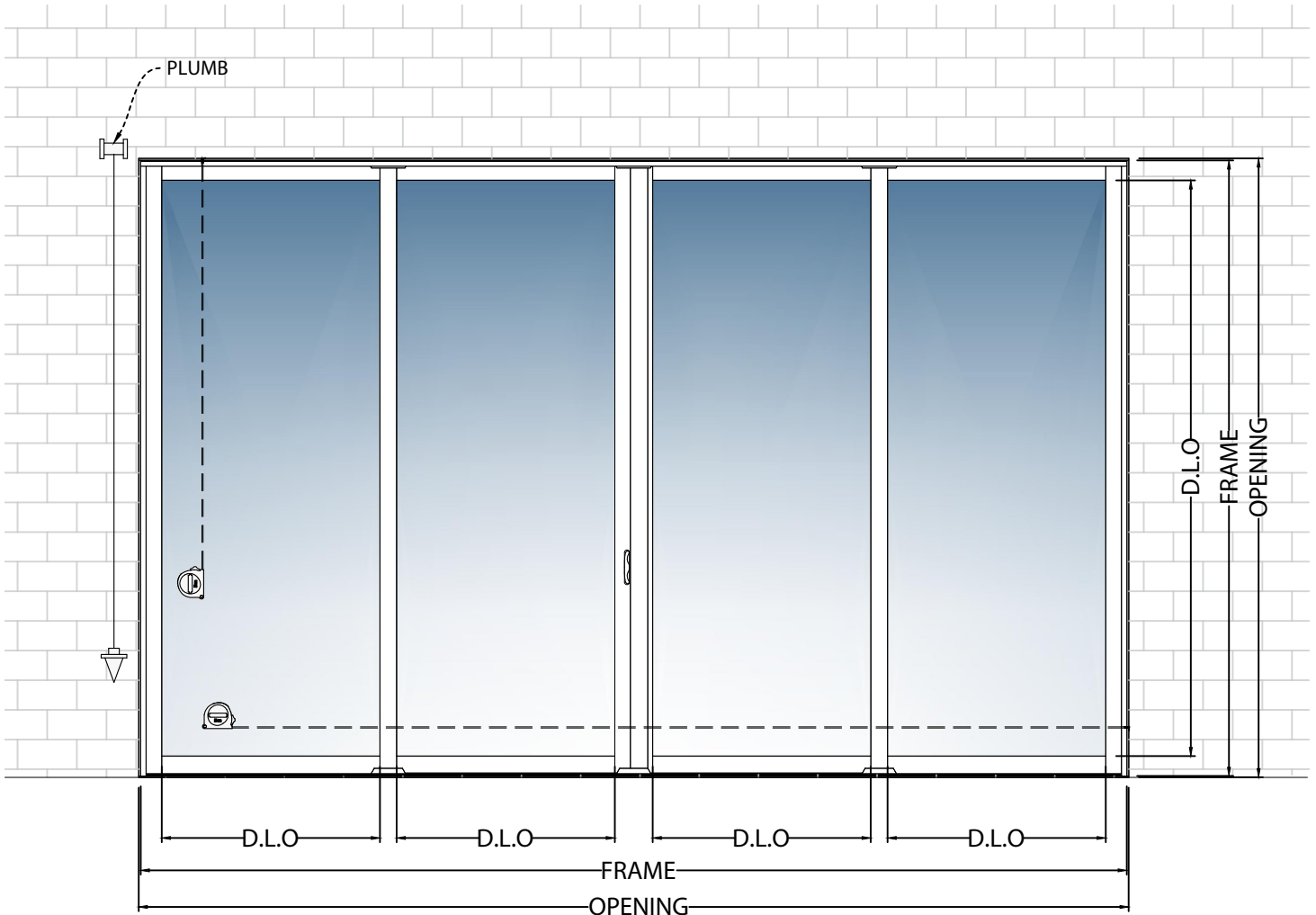
PARTS REQUIRED FOR INSTALLATION		
PART	DETAIL	DESCRIPTION
ES-6001		HEAD
ES-6002		HIGH SILL
ES-6002M		LOW SILL
ES-6003		JAMB
ES-6011		COVER
FPS-ES-6014		FIX PANEL CLIP
ES-6028		SILL RISER
ES-6030		HEAD RECEPTOR
ES-6000-401		THREE TRACK HEAD
ES-6000-402		THREE TRACK SILL
ES-6000-403		THREE TRACK JAMB
ES-6000-405		RETAINER CLIP
ES-6000-406		HEAD RECEPTOR
ES-6000-407		RECEPTOR STOP
GMP-6001A		OPTIONAL HEAD

GMP-6001A		OPTIONAL HEAD
GMP-6003A		OPTIONAL JAMB
GMP-6023A		OPTIONAL SILL
# 10 x 1 1/2" P.H. SMS.		ASSEMBLY SCREW
#10 x 3/4" F.H. S.M.S.		FOR BUMPER
#10 x 1/2" F.H. S.M.S.		FOR RETAINER CLIP, ALU-A-027 AND FIXED PANEL CLIP
P3802AFK		ADHESIVE PILE PAD 3"
P6304AFK		ADHESIVE PILE PAD 4"
PS01-0014-FINISH		TWO POINT HANDLE
SGD 1600		BUMPER
6844.1		BUMPER
2-500-FINISH		1/2" SCREW CAP

STEP 1

INSPECTION AND VERIFICATION:

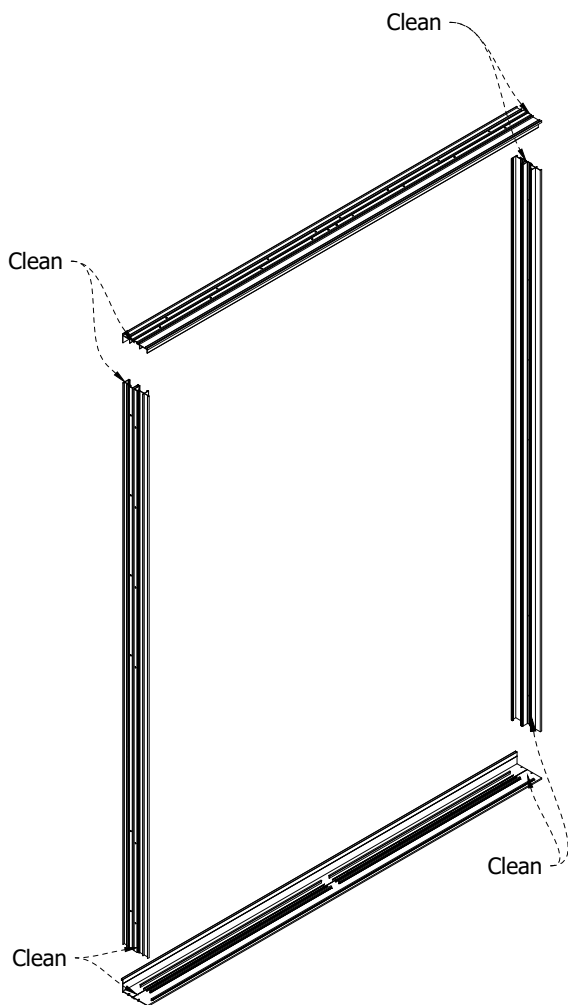
- 1.1 The rough opening should be checked for the correct size as determined by dimensions listed in the architectural specifications and the shop drawings. Measure rough opening in several places to determine variations.
- 1.2 Check all the material upon arrival for quantity and damage.
- 1.3 Remove any debris that interferes with the proper installation of the unit.
- 1.4 If you have any irregularities notify ESWINDOWS.



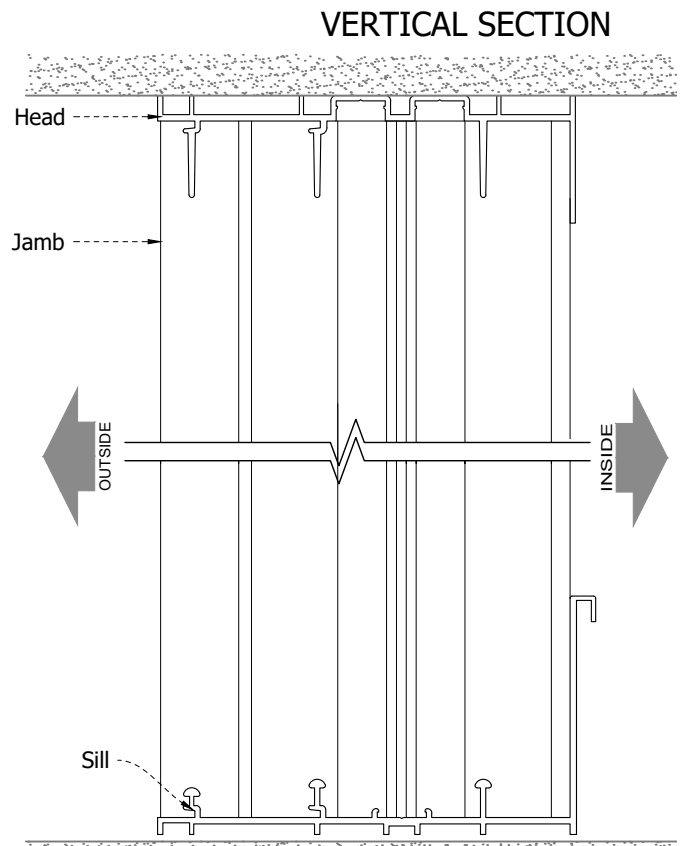
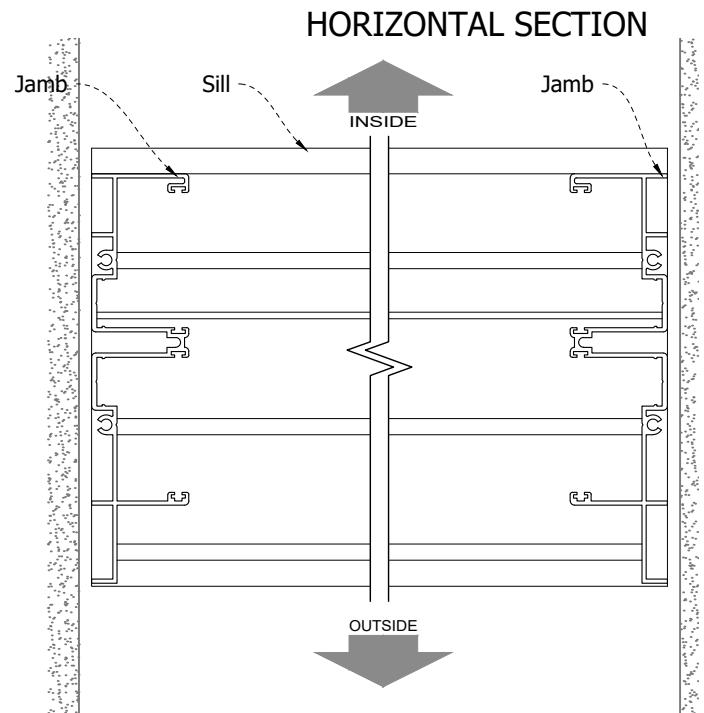
STEP 2

FRAME ASSEMBLY:

- 2.1. Clean the profiles surfaces that will be in contact with silicone.
- 2.2. Verify the shop drawings to locate the jambs, sill and head.



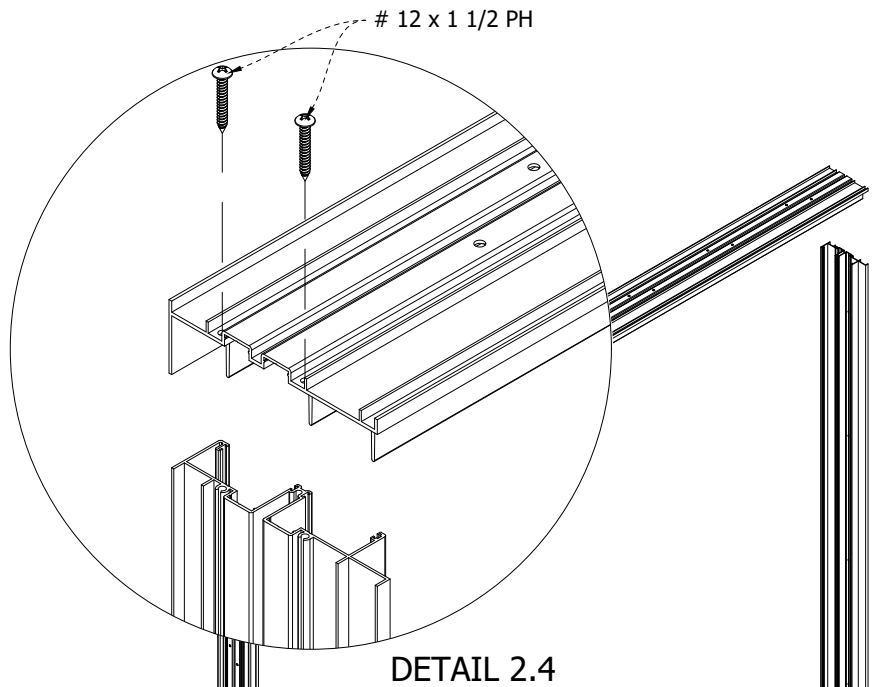
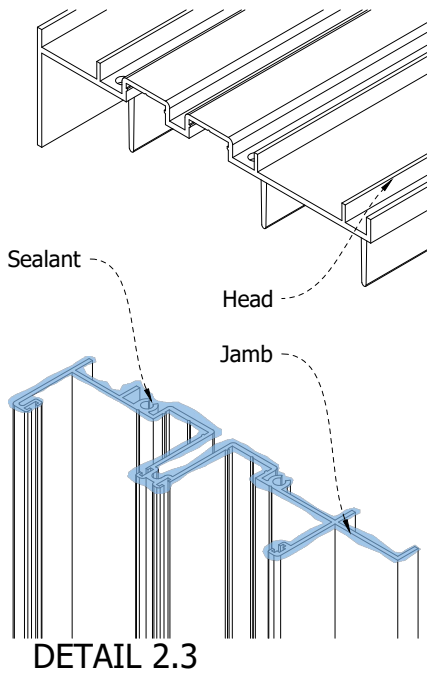
DETAIL 2.1



DETAIL 2.2

INSTALLATION INSTRUCTIONS

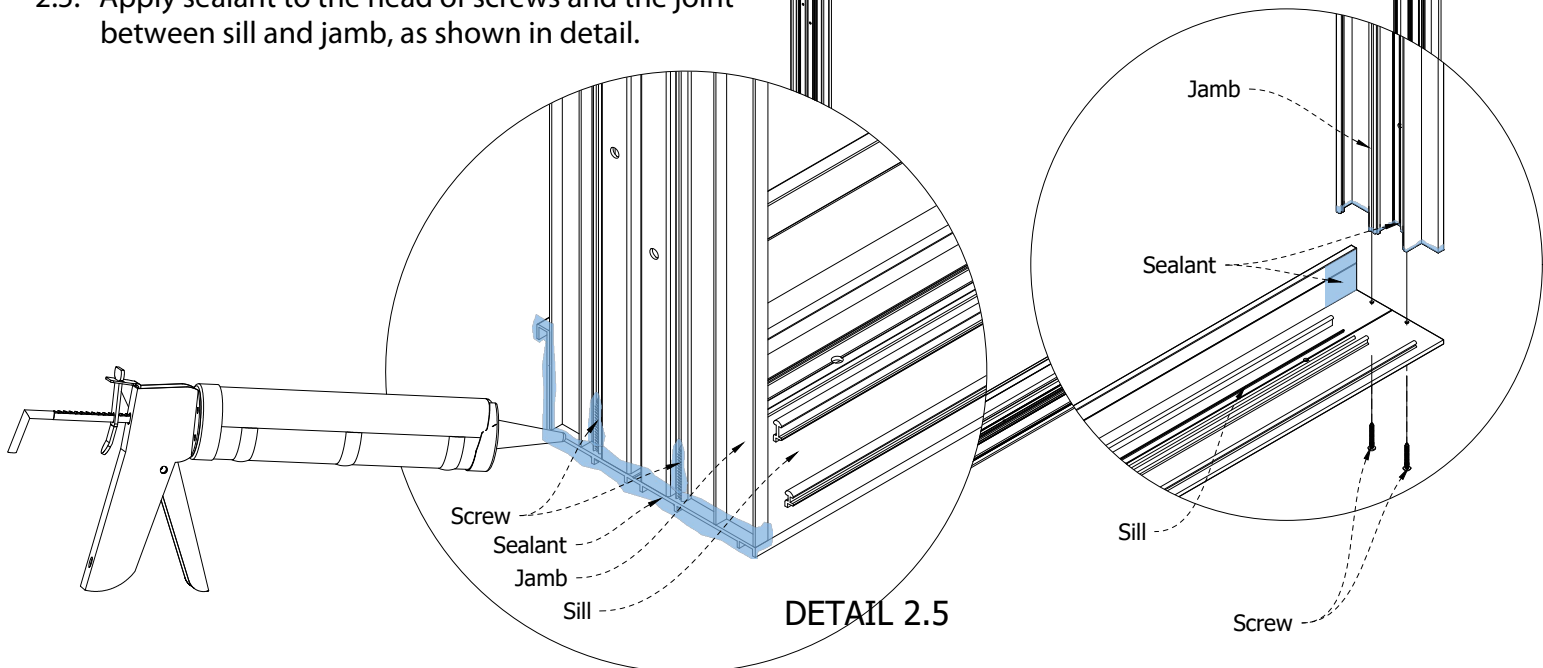
ES-6000/6100
SLIDING DOOR
VERSION 7
I-DD-01



2.3. Apply sealant to the sill, head and jambs; where profiles meet.

2.4. Assemble frame and fasten with #12x1½PH screw.

2.5. Apply sealant to the head of screws and the joint between sill and jamb, as shown in detail.



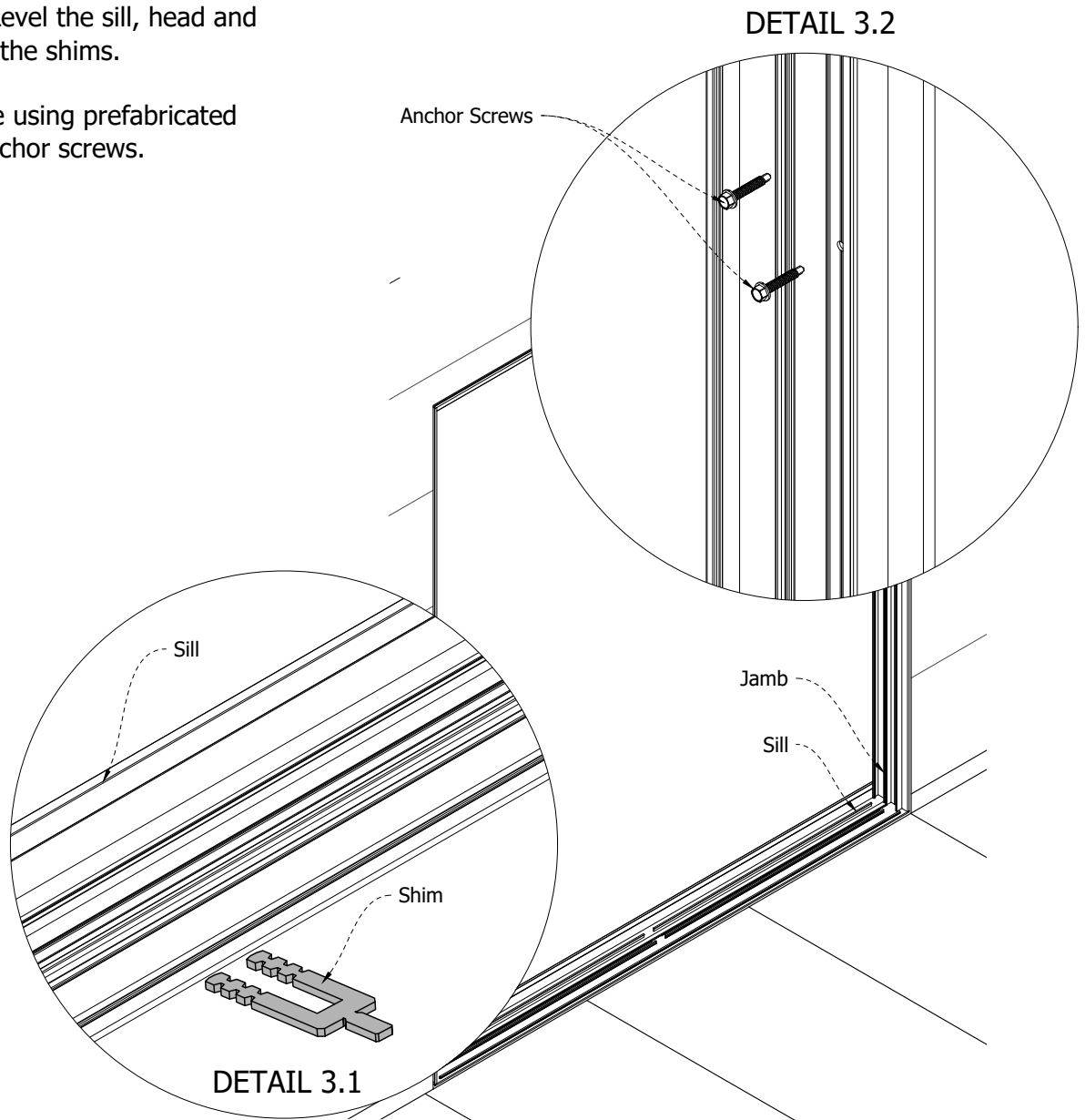
STEP 3

INSTALL FRAME:



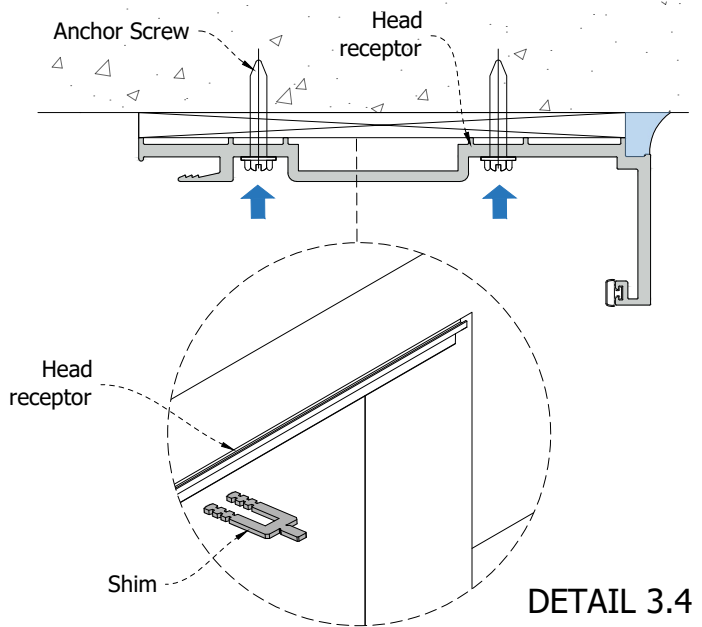
Never use anything different from high plastic strength shims to level window.

- 3.1 Clean the opening and place the frame in it. Level the sill, head and jambs using the shims.
- 3.2 Fix the frame using prefabricated holes and anchor screws.

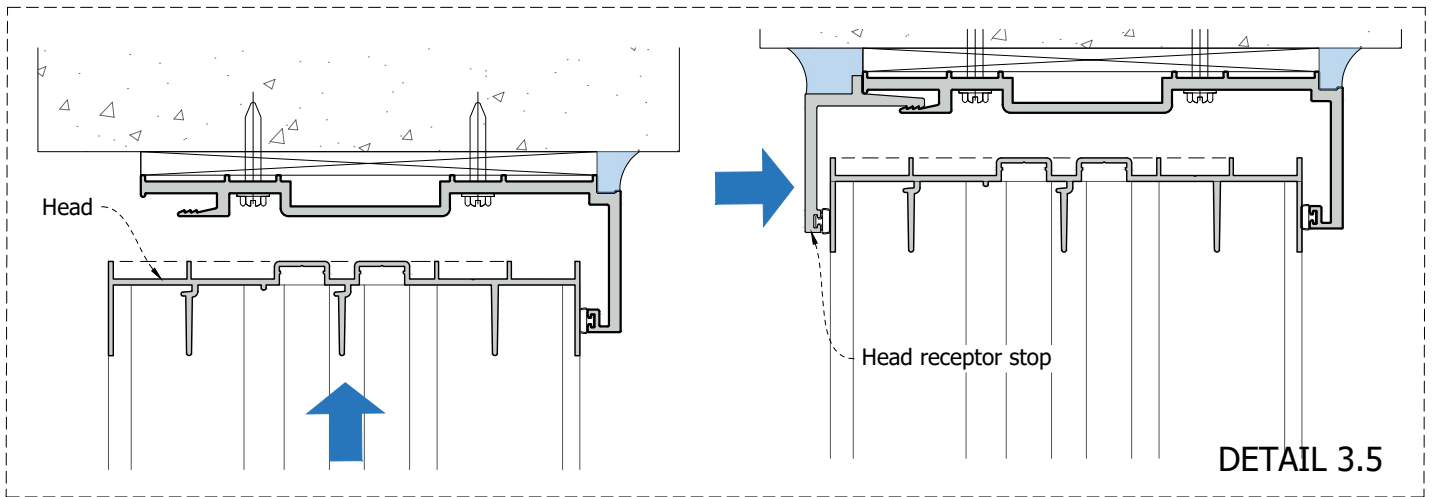


FOR CONFIGURATIONS WITH HEAD RECEPTOR:

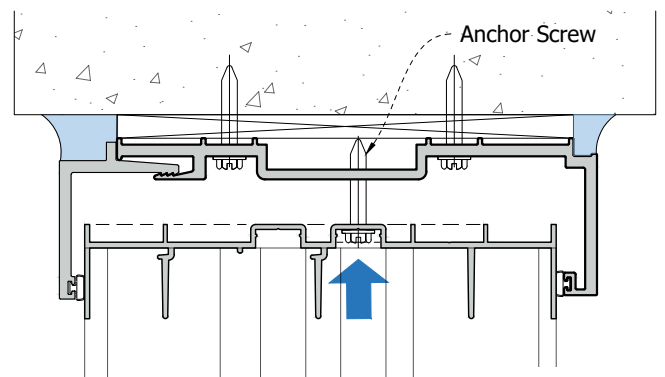
- 3.3. When installing head receptor first place it in the opening to use prefabricated holes as a guide.
- 3.4. Level the head receptor with plastic shims and attach it with the required screw.
- 3.5. Place the frame in the receptor and install the head receptor stop.
- 3.6. Anchor the frame head to the receptor with required screws.



DETAIL 3.4

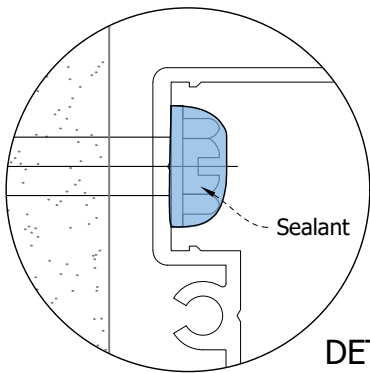


DETAIL 3.5

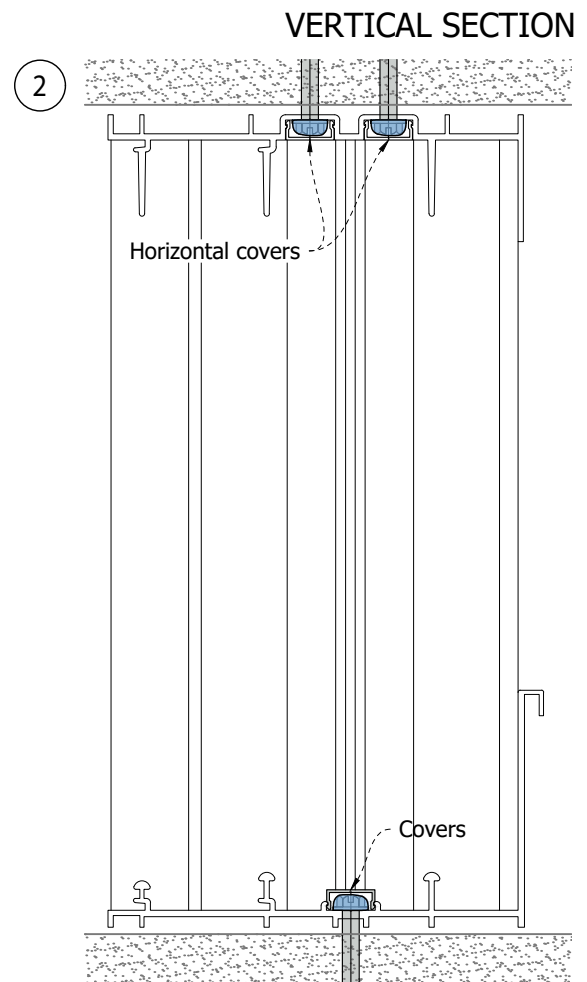
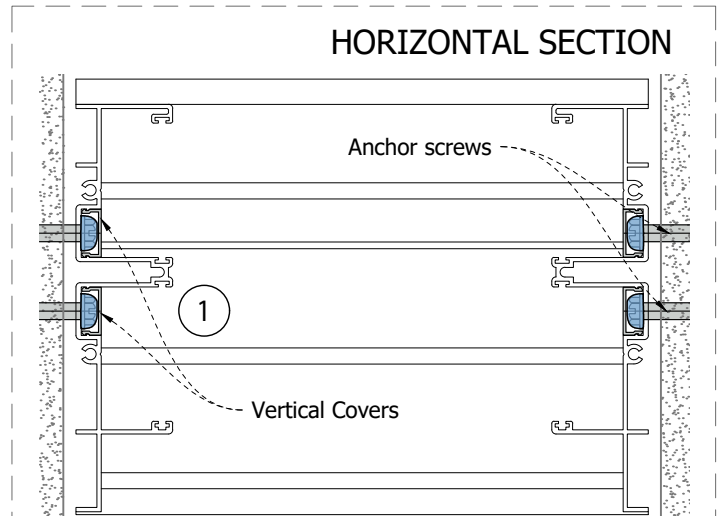


DETAIL 3.6

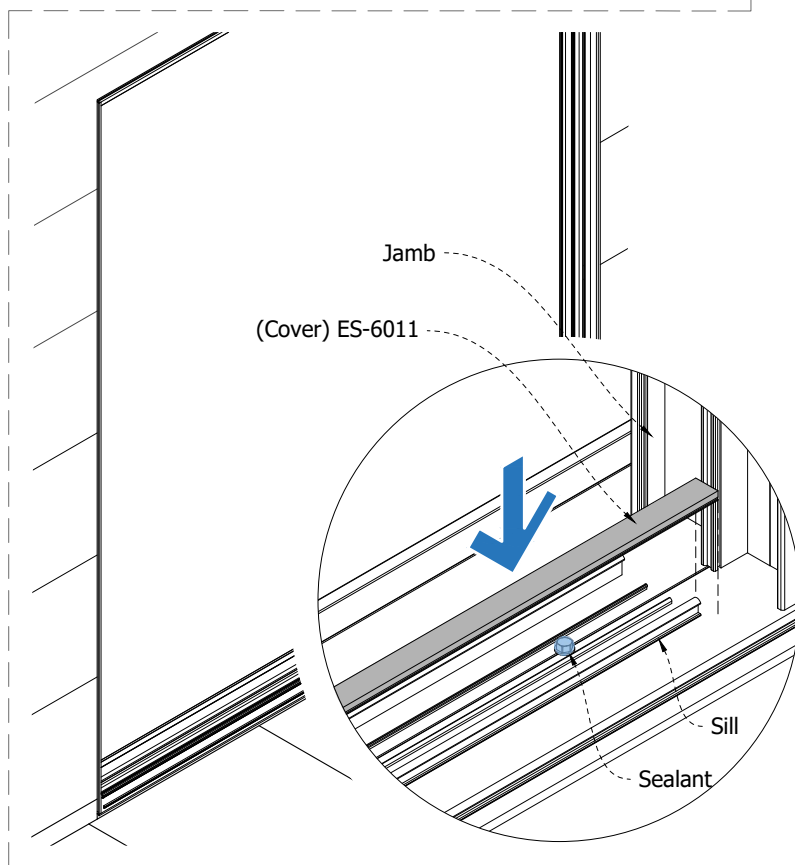
- 3.7. Apply sealant to the head of screws.
- 3.8. Place the screw cover (ES-6011) on the head, sill and jambs and head as shown in details. First place the vertical covers (1) and then the horizontal ones (2).



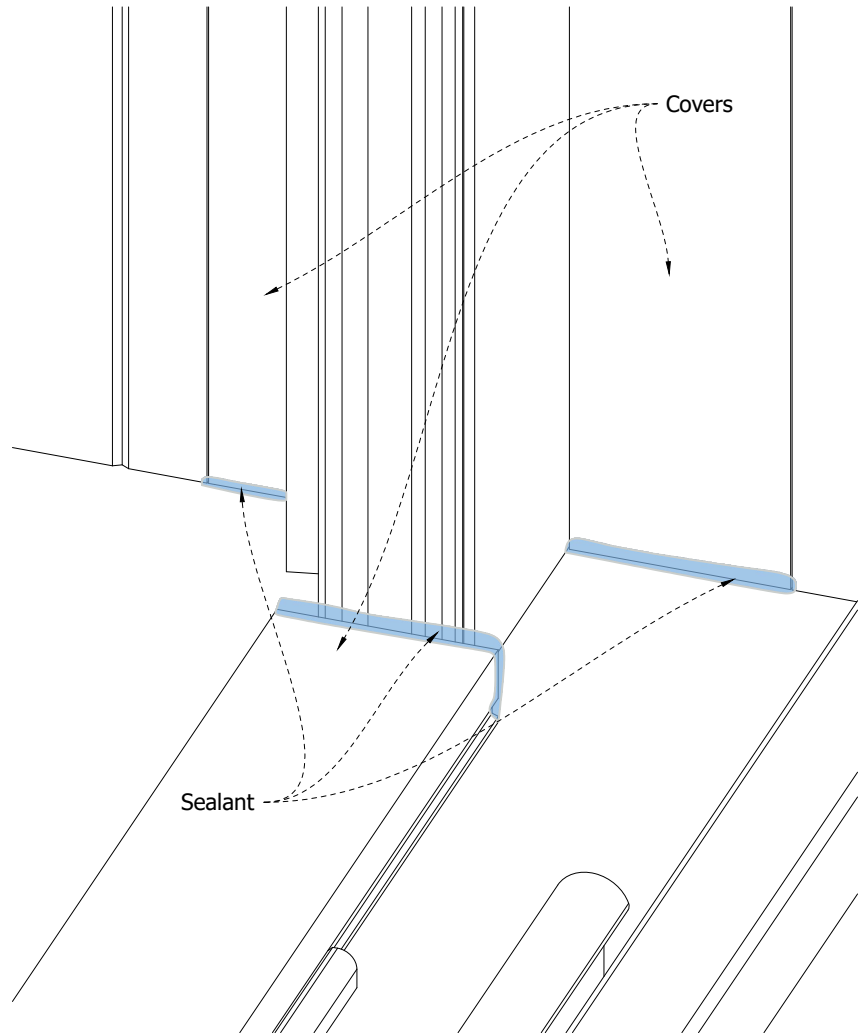
DETAIL 3.7



DETAIL 3.8

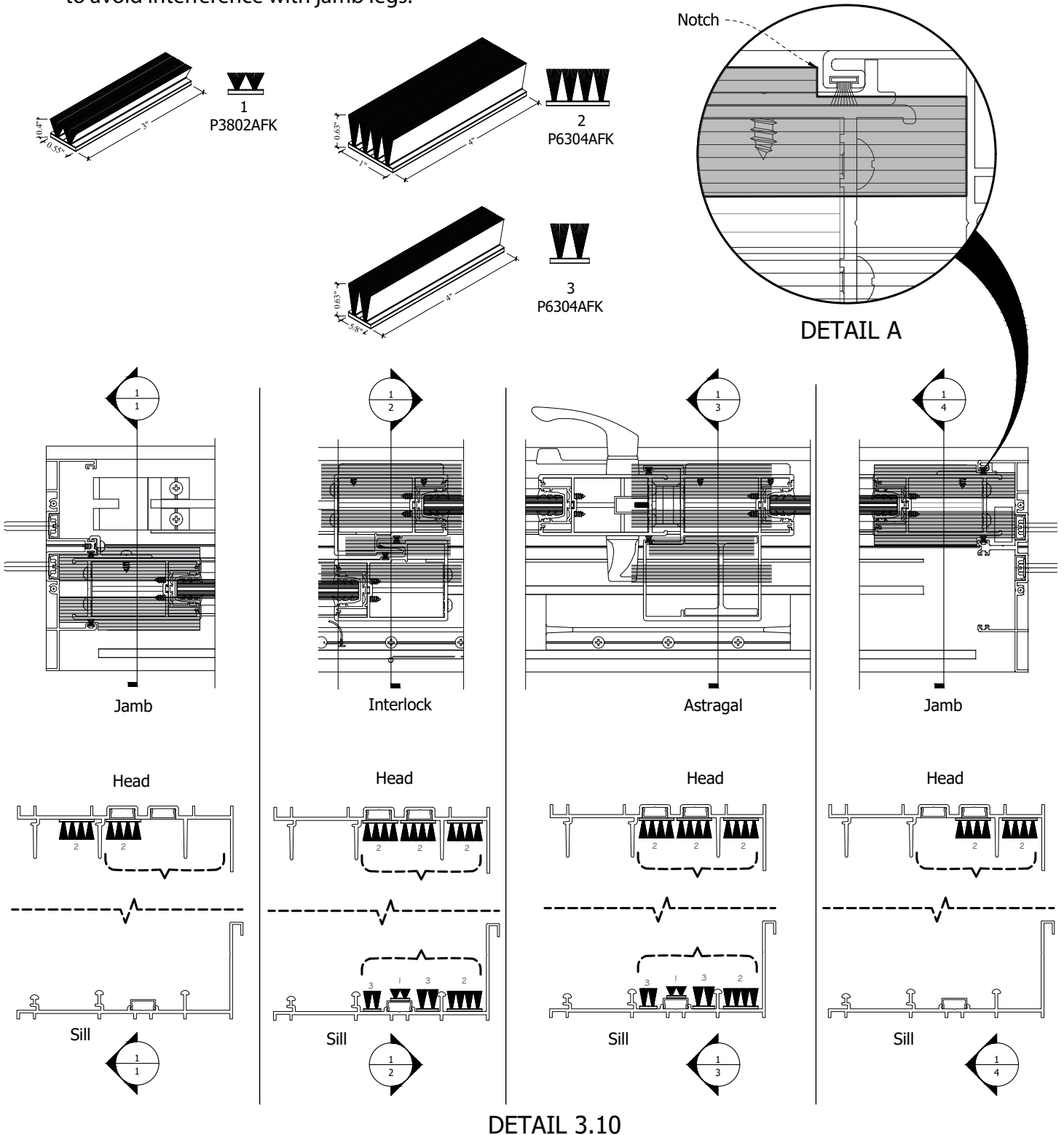


3.9. Seal joints between corners.



DETAIL 3.9

3.10. Place the piles in the head and sill as shown in details. Jamb piles should be notched as shown in detail A, to avoid interference with jamb legs.

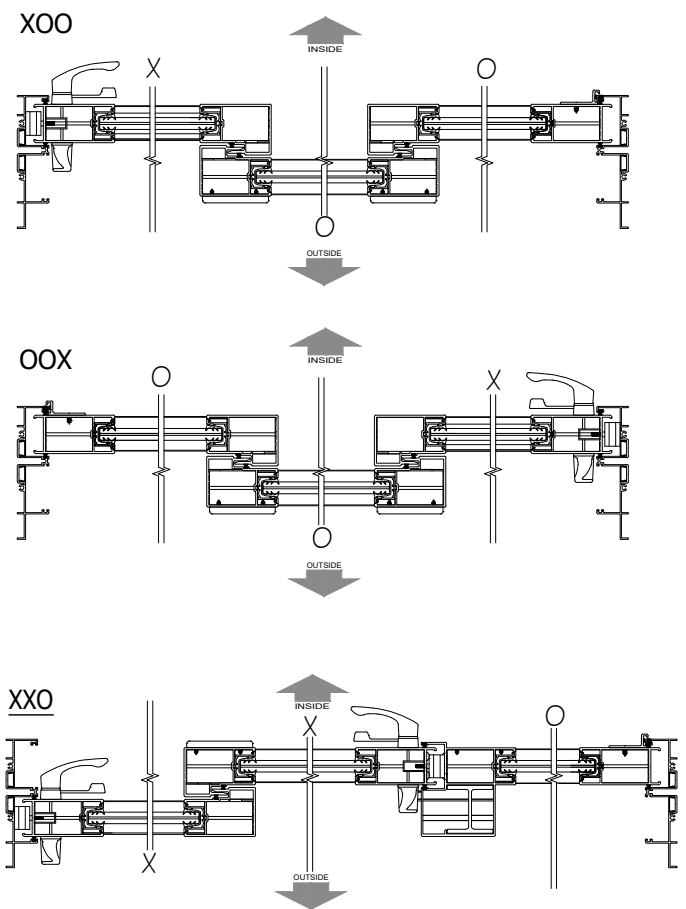
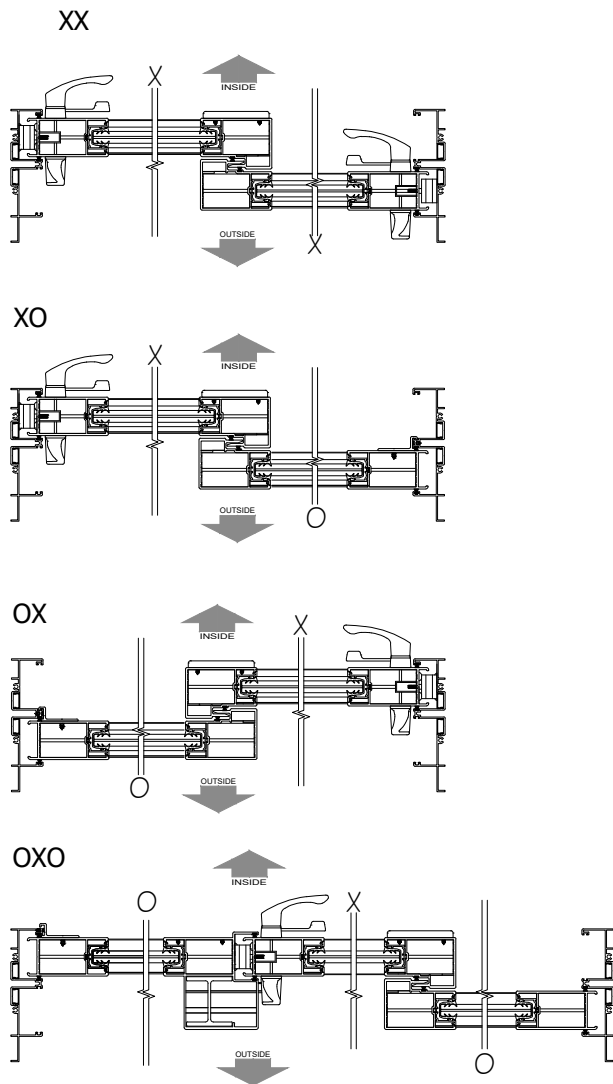


STEP 4

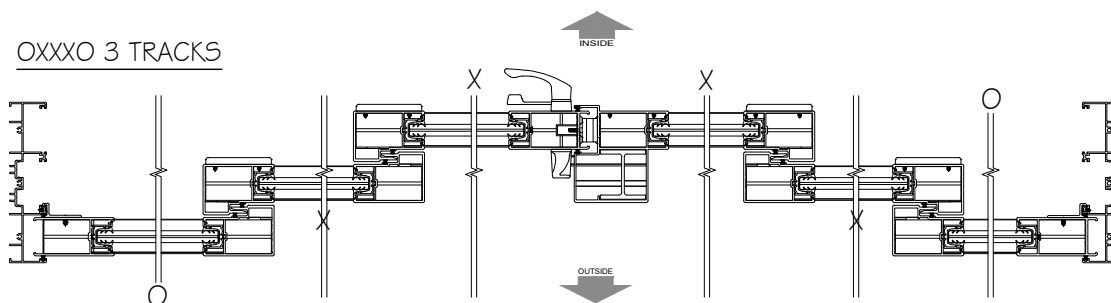
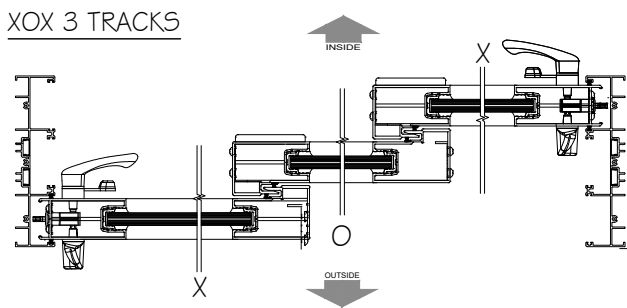
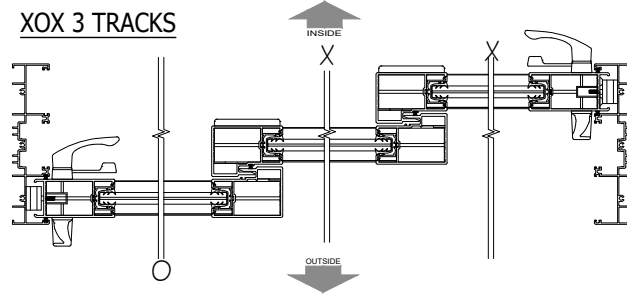
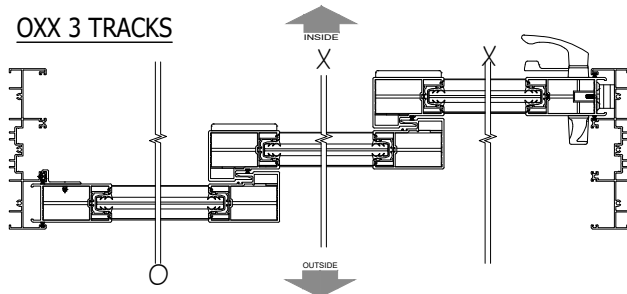
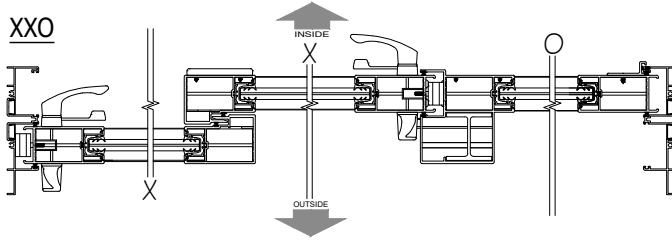
INSTALL PANELS:

- 4.1. Identify panel locations per typical configurations. Verify project drawings for other configurations.

Sliding panels (X) must be located on the inside and fixed panel (O) on the outside. There are exceptions to this rule, for example: XX configuration where all panels slide.

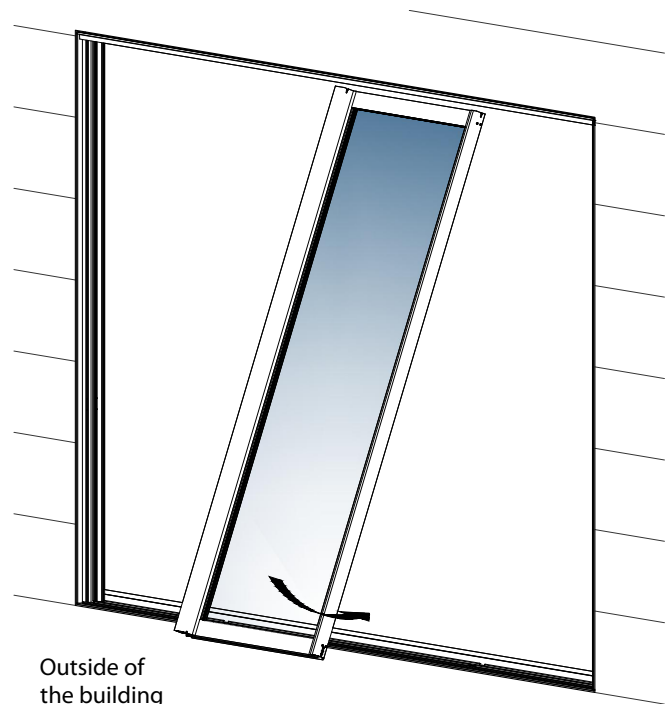


INSTALLATION INSTRUCTIONS



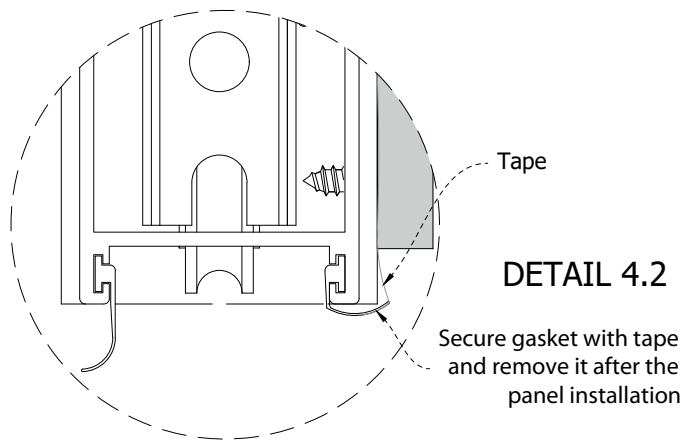
INSTALLATION INSTRUCTIONS

- 4.2. Before installing the panel secure the gasket in place with masking tape as shown in detail.
- 4.3. Install first the panel that goes in the inside rail. Install the panel from the outside of the building.
- 4.4. In case the panel has a restraining plate verify it is correctly installed before installing the panel.



Outside of the building

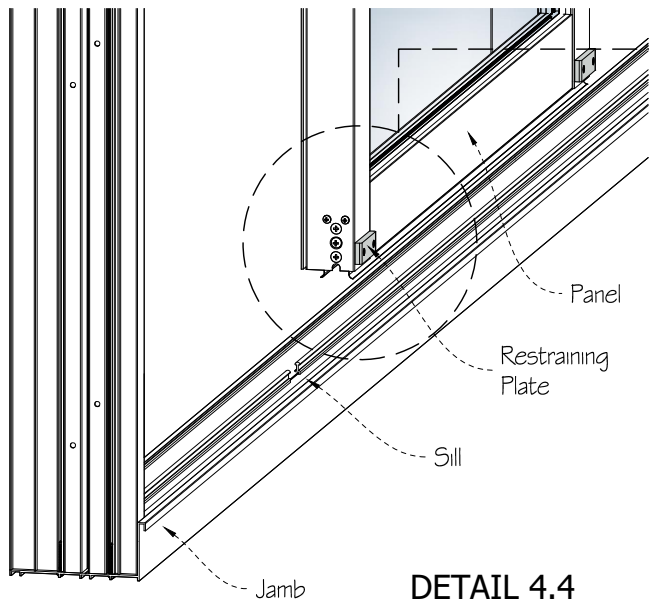
DETAIL 4.3



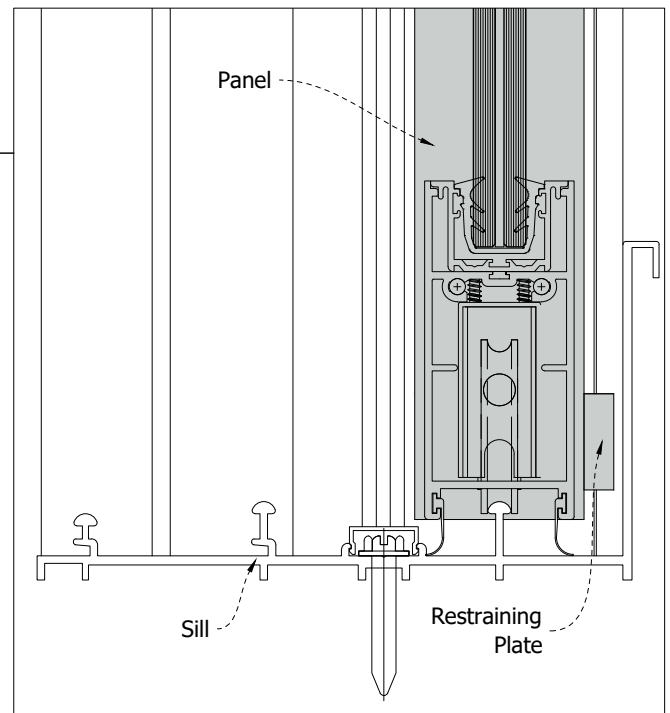
Tape

DETAIL 4.2

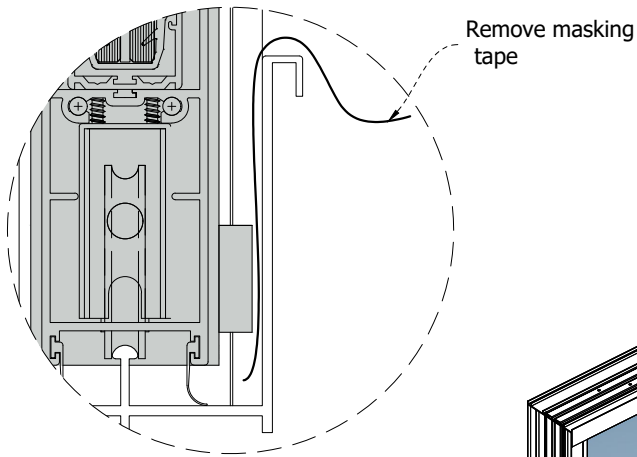
Secure gasket with tape and remove it after the panel installation



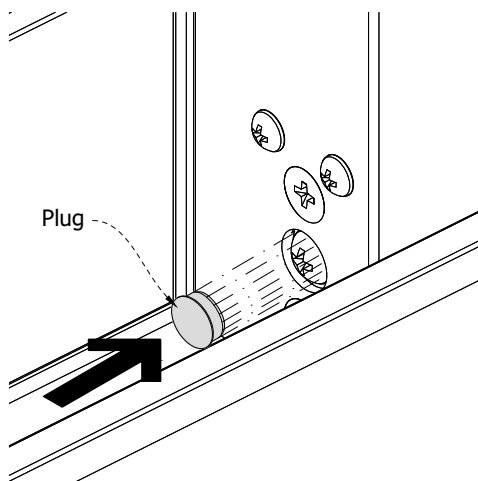
DETAIL 4.4



DETAIL 4.5



- 4.5. Remove the masking tape.
- 4.6. Install the remaining panels as the first.
- 4.7. Level the roller using an Allen wrench. Lift the panel to prevent any damage.
- 4.8. Place the plug in the hole.



DETAIL 4.8

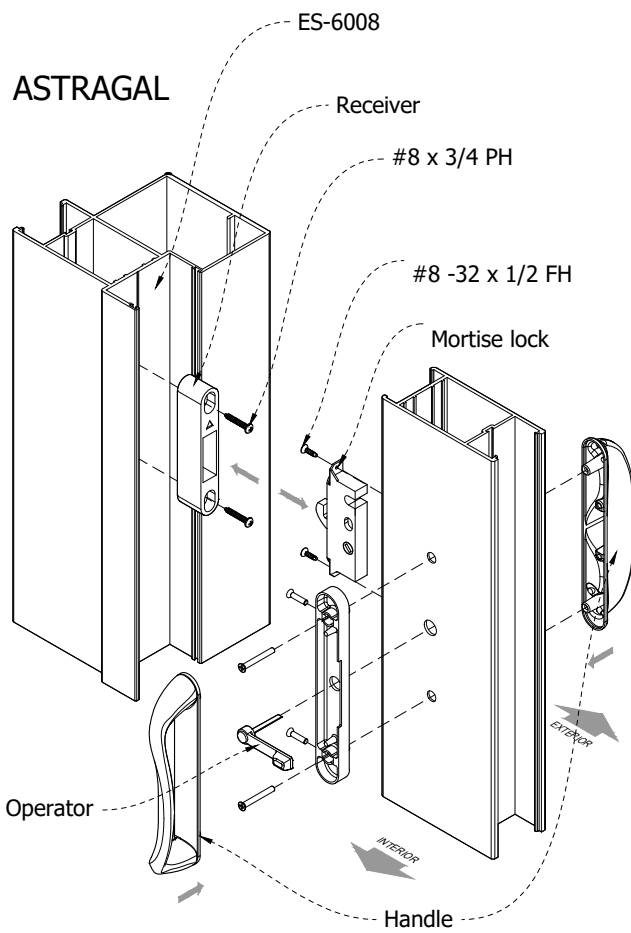


DETAIL 4.7

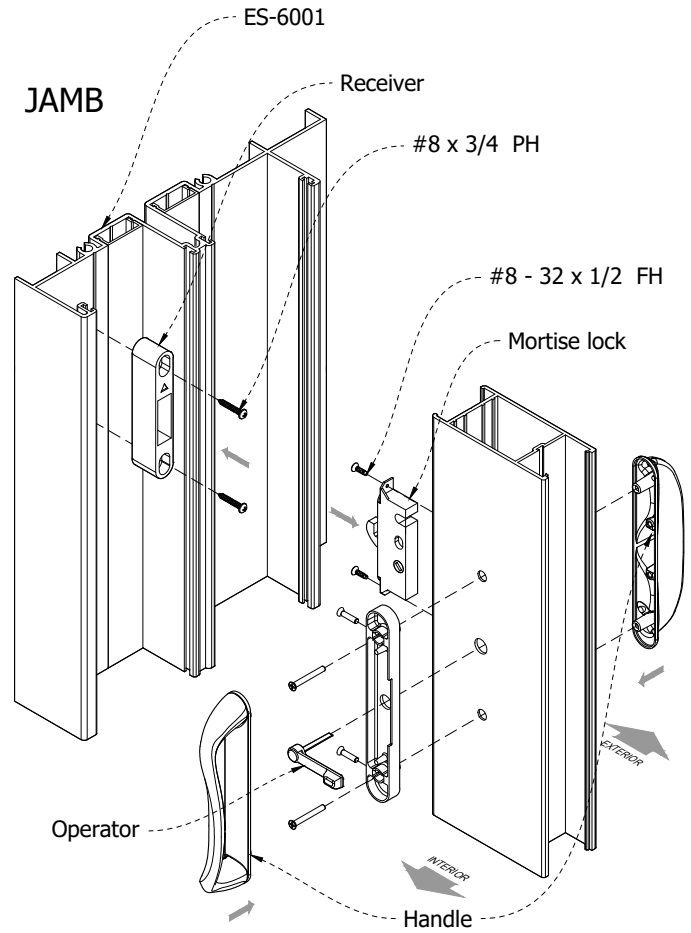
STEP 5

INSTALL ACCESSORIES:

- 5.1. Attach the handle, the lock and receiver. See details.
- 5.2. Operate the sliding door to verify the correct functionality.



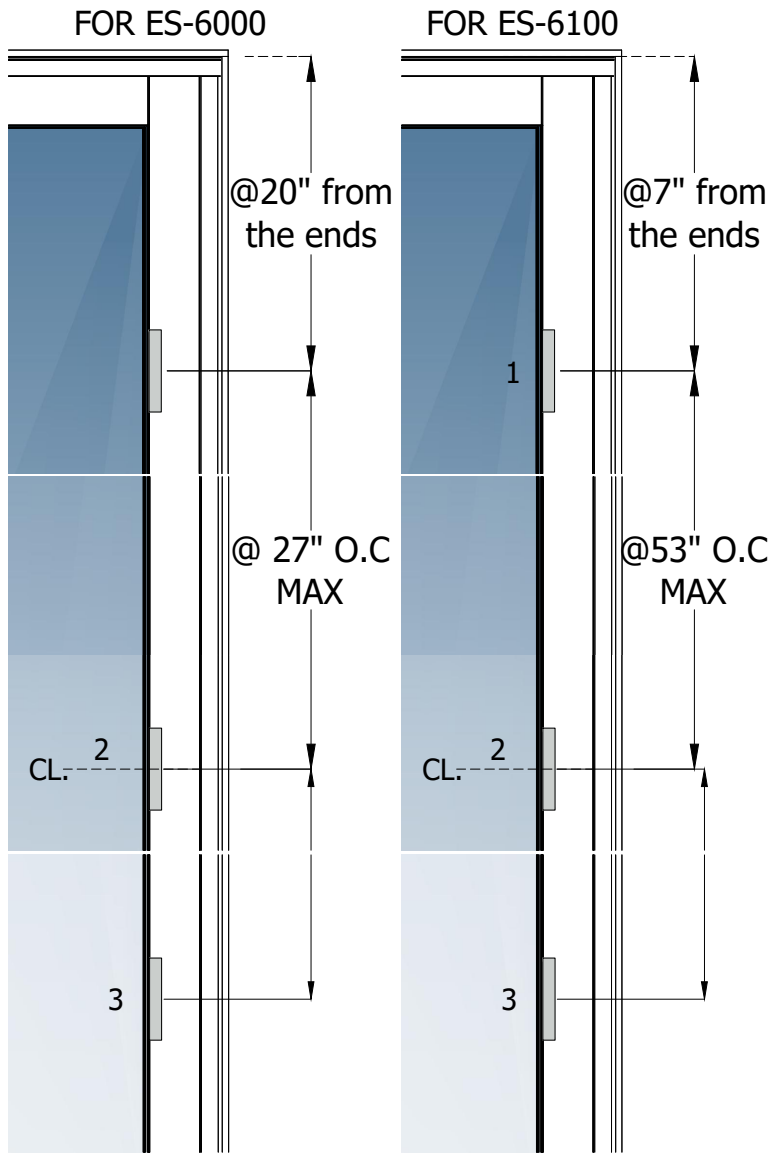
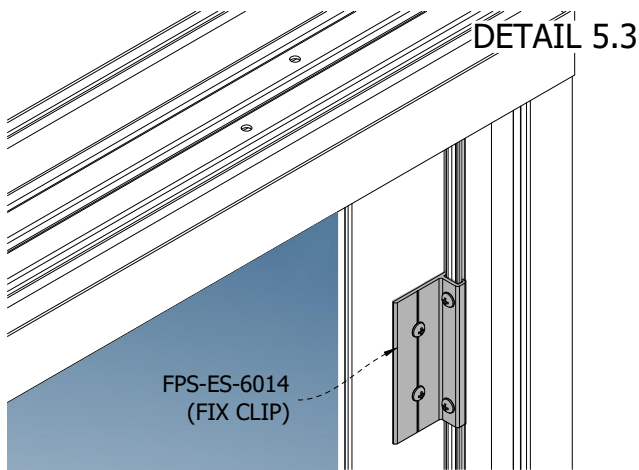
DETAIL 5.1



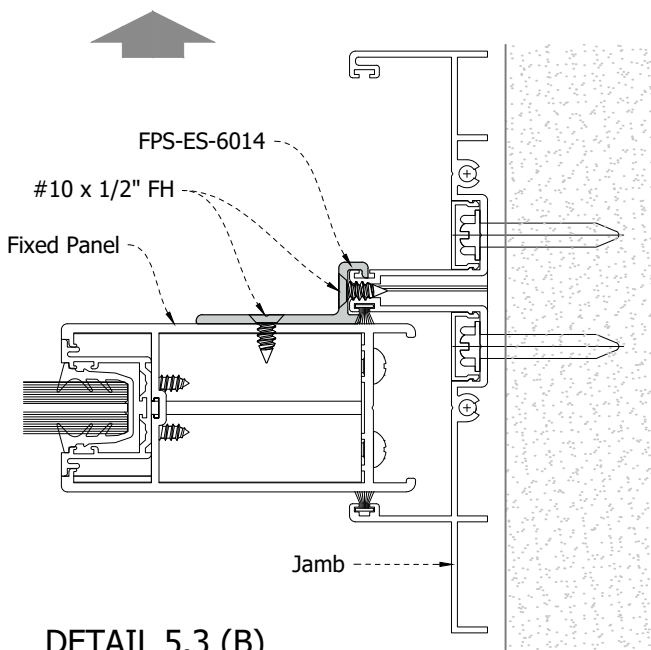
DETAIL 5.1

5.3. Use the FPS-ES-6014 (fix clip) and #10 x 1/2" F.H screws to fix the panel to the frame, follow the distribution shown in detail (A).

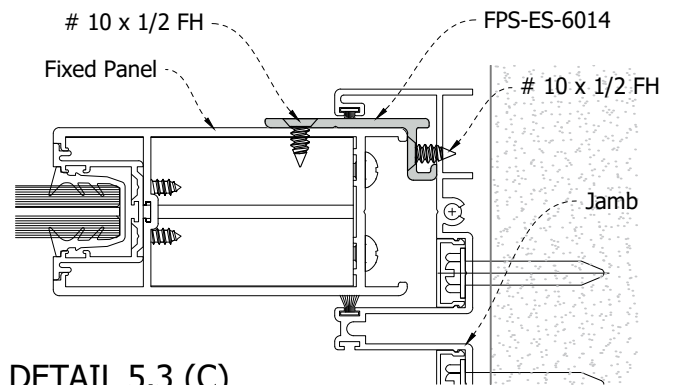
If the fixed panel is in the outer rail, install FPS-ES-6014 as shown in detail (B). If the fixed panel is in the inner rail, use modified FPS-ES-6014, as shown in detail (C).



DETAIL 5.3 (A)



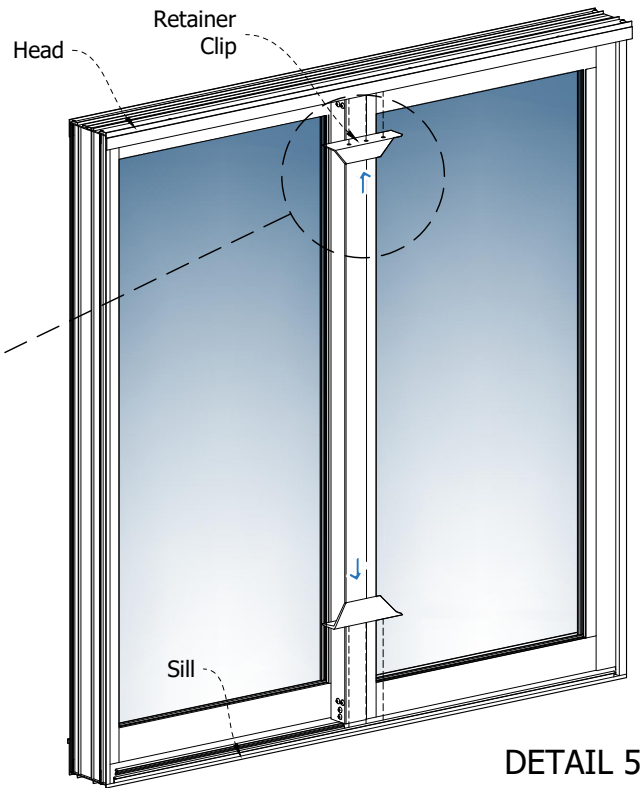
DETAIL 5.3 (B)
 For fixed panel on the outer rail



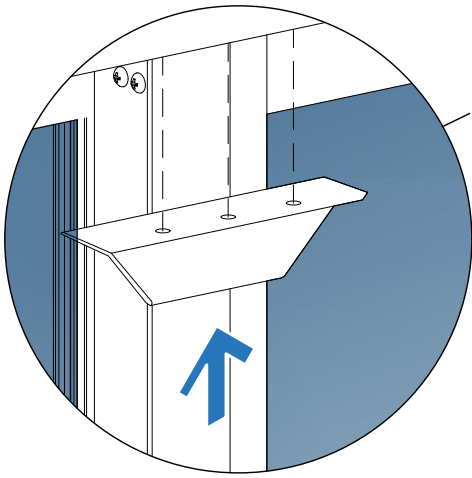
DETAIL 5.3 (C)
 For fixed panel on the inner rail

INSTALLATION INSTRUCTIONS

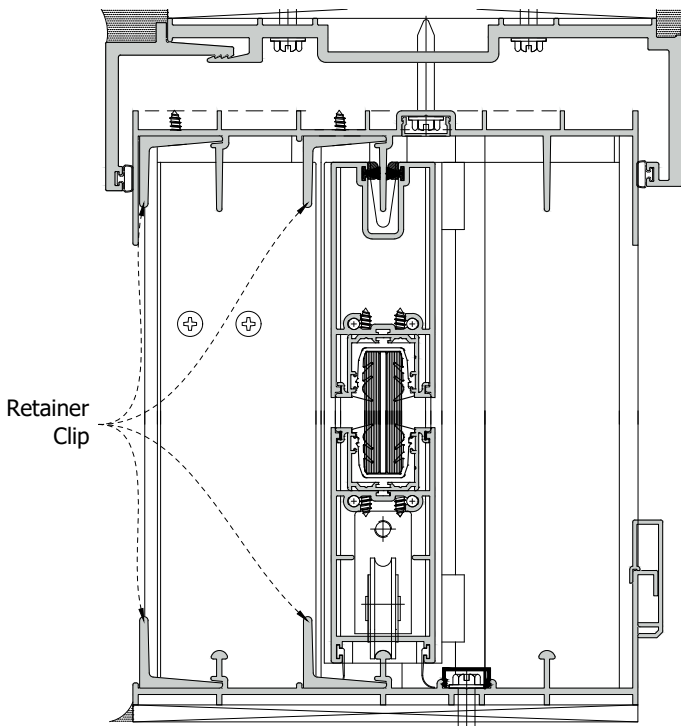
- 5.4. Place the retainer clips in the frame, as shown in detail, using three (3) screws #8 x 1/2 F.H.
- 5.5. Use the 7" clip in the sill (A) and the 8" clip in the head (B).



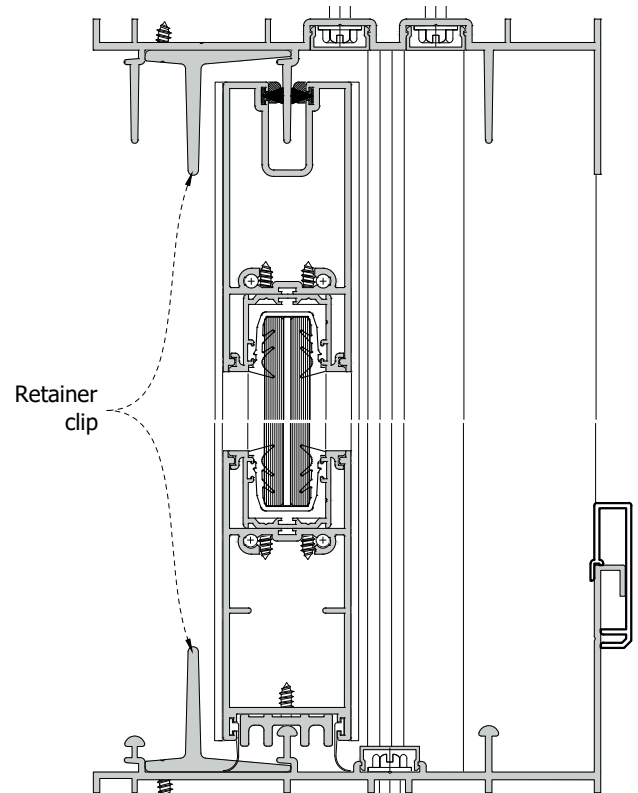
DETAIL 5.4



IDENTIFY LOCATIONS



DETAIL 3 TRACKS



DETAIL 5.5

DETAIL 2 TRACKS

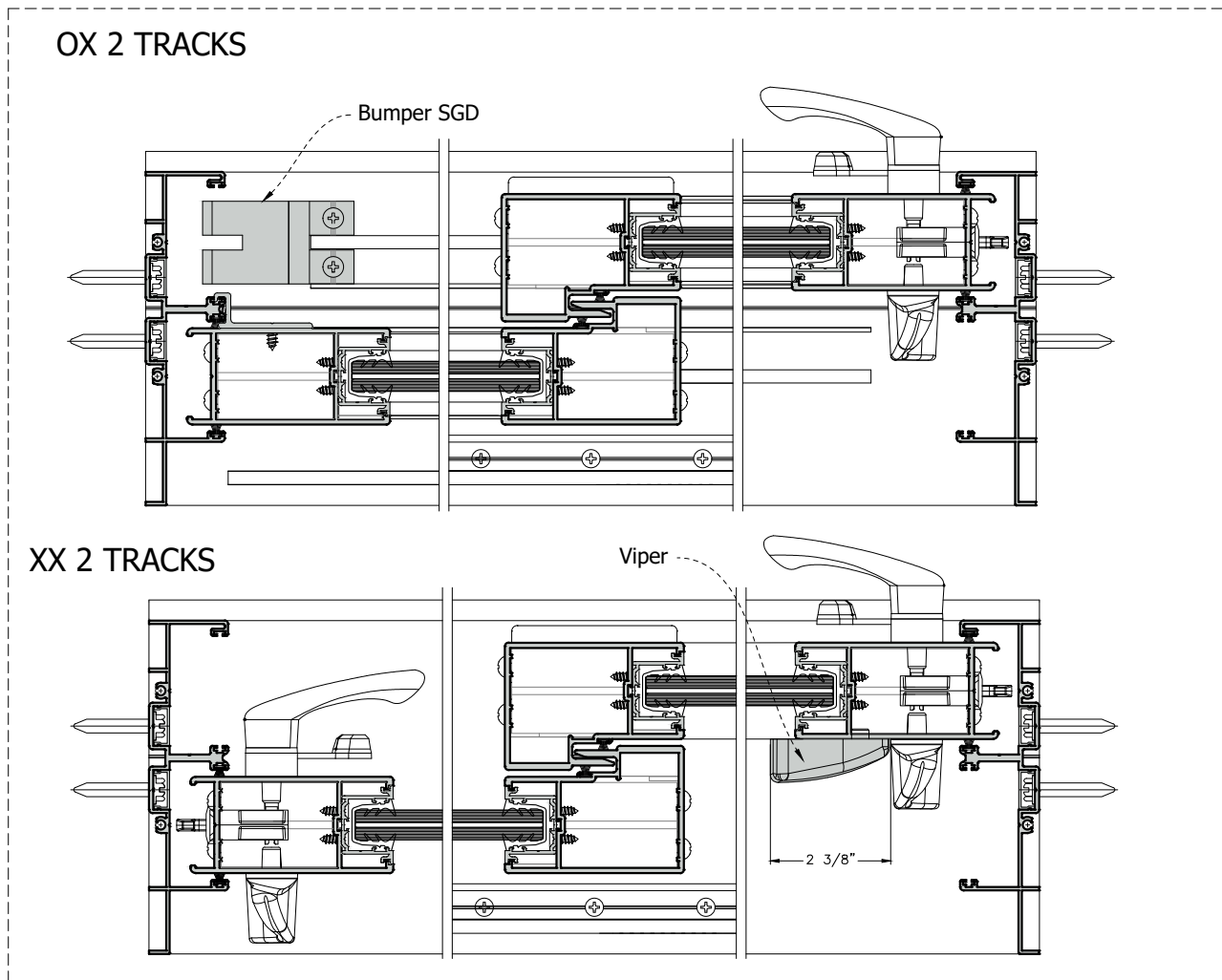
5.6. Depending on the window configuration, Identify when installing a viper or a bumper .

- SGD Bumpers must be installed in the the frame (head and sill) in front of the fixed panel to prevent the handle to impact the other panel.
- Vipers must be installed in the sliding panel (top and bottom) to prevent the handles from impacts.



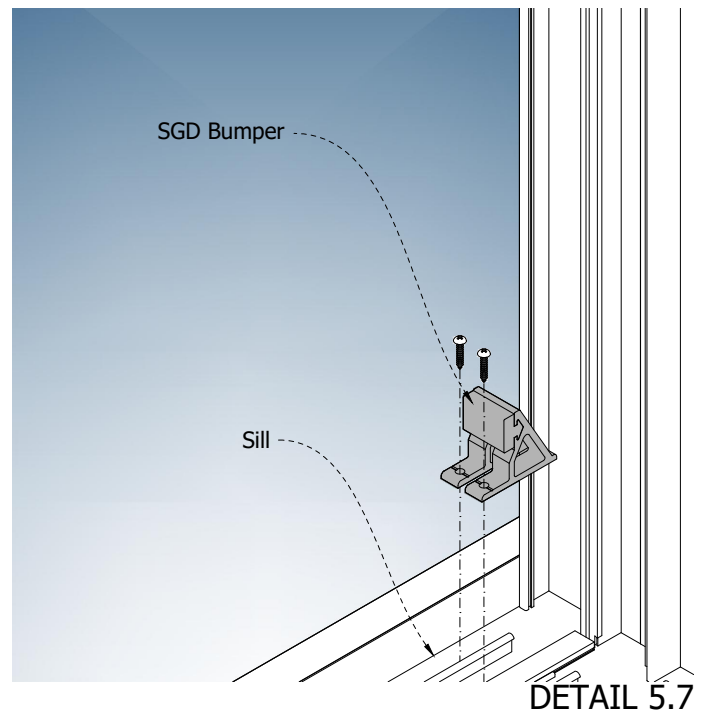
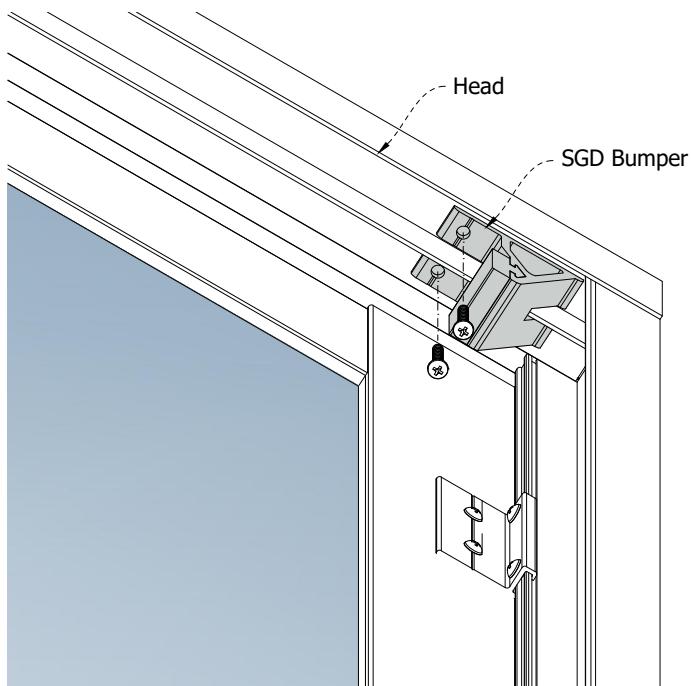
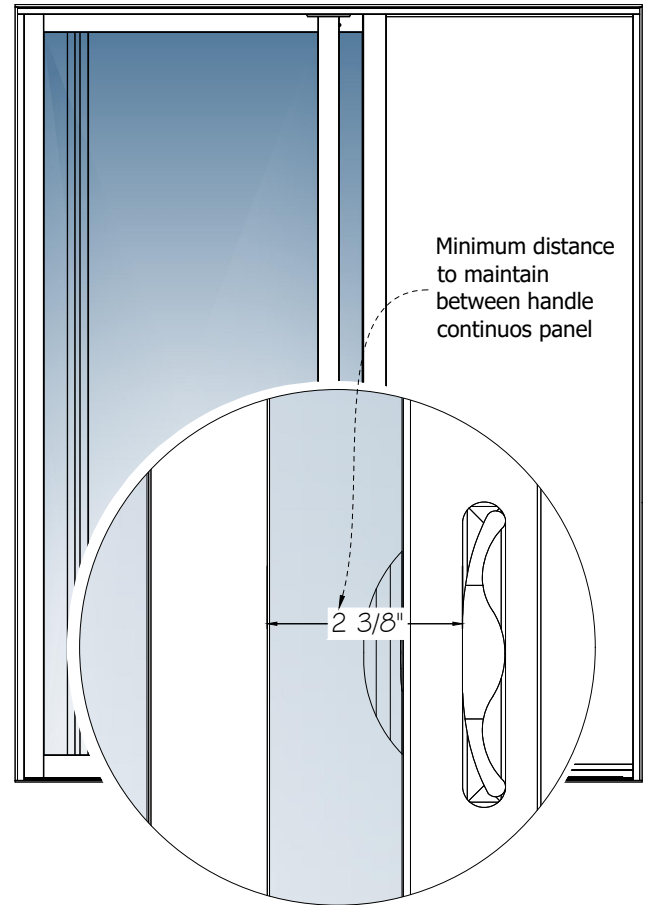
For siliding glass door configurations OX, XO, OXO, OXXO. use SGD bumper.

For siliding glass door configurations XX, XXX, XXXX, XXXO use Viper.



DETAIL 5.6

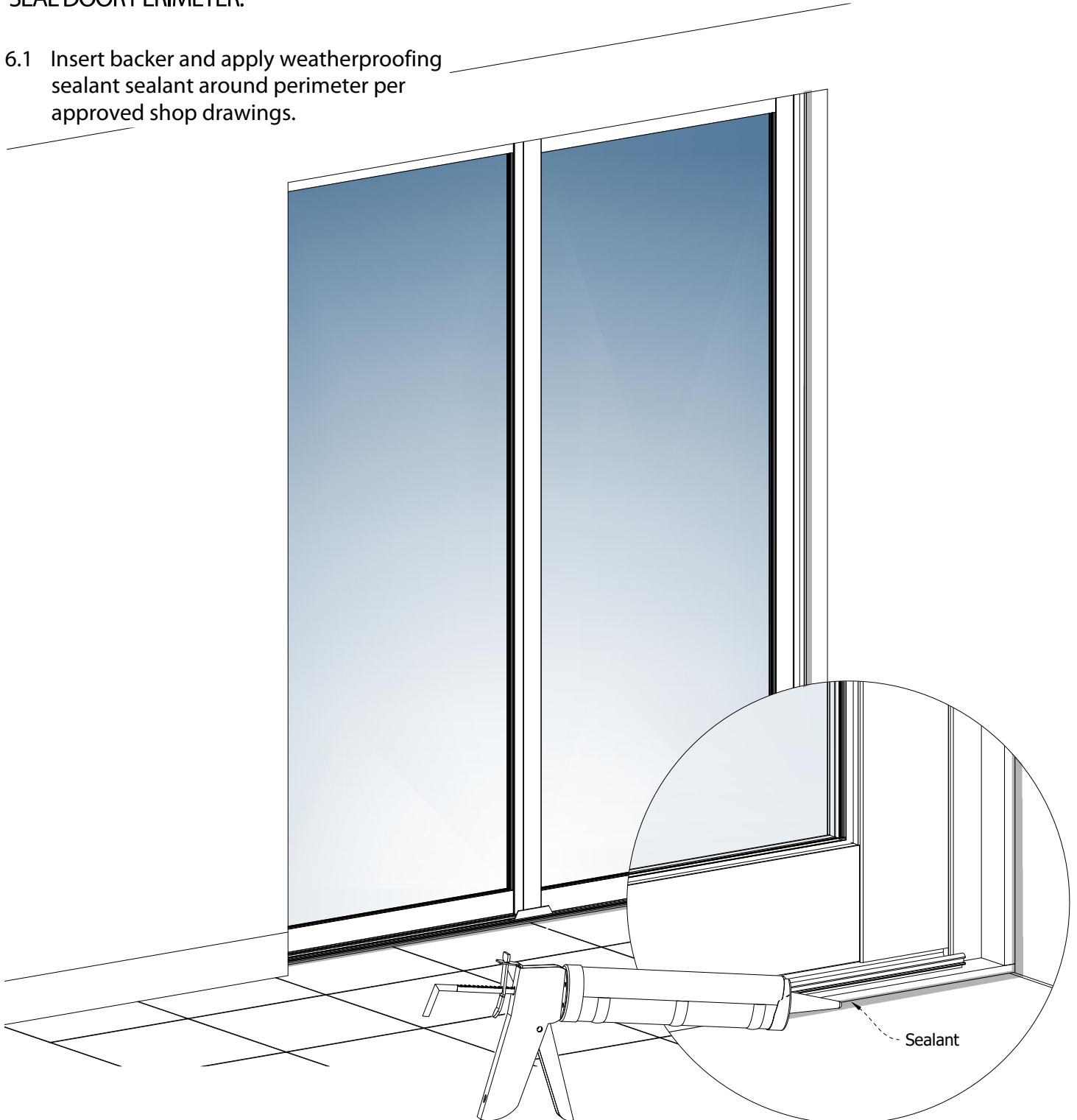
- 5.7. When installing SGD bumper, place in the sill and head and fix with #10 x 3/4 P.H screw to attach it. Place maintaining a minimum distance of 2 3/8" between frame and handle as shown in detail.
- 5.8. For viper installation follow viper installation guide G-DD-10.



STEP 6

SEAL DOOR PERIMETER:

- 6.1 Insert backer and apply weatherproofing sealant sealant around perimeter per approved shop drawings.



INSTALLATION INSTRUCTIONS

REVIEW No.	DATE	DESCRIPTION	By.	PAG.
1	Feb/4/2014	Miscellaneous Added.	-----	5,6,7,15
2	Jul/24/2015	Bumper RCA removed. 2 and 3 tracks retainer clip installation detail.	-----	20,21.
3	Oct/14/2016	Parts required for installation added. Fix panel clip update from extrusion to accessories.	S.G	3,15.
4	NOVEMBER 1/2016	Details to locate panels per typical configurations update.	S.G	12,13,18
5	SEPTEMBER 28/2018	Distribution of fixed panel clip for ES-6000 included	J.C	17
6	APRIL 25/2019	Installation of pile pads update.	S.G	11
7	JULY 31/2019	Installation of fixed panel clips updated.	E.S	17

Av. Circunvalar a 100 mts de la Via 40 Las Flores
Barranquilla, Colombia PBX: (57 5) 3664600
service@eswllc.com, PBX: (+1) 305 5074545

BY Sariel González.