

# THERMAL DOOR SYSTEM

www.eswindows.com

ES-50T



## System Description

- Thermal door system.
- Frame depth: 4 1/2"
- Sightline: 2"
- Designed for: Insulated glass.

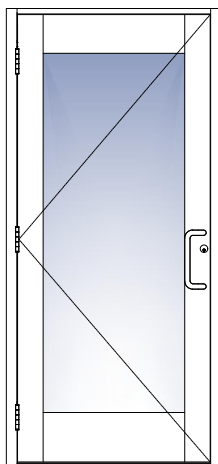
## Features

- Single acting operation.
- Pre-assembled door leaf.
- Available with butt hinges
- Variety of accessories including: concealed rod panic devices and push-pull handles
- Anodized, painted or wood grain finishes available

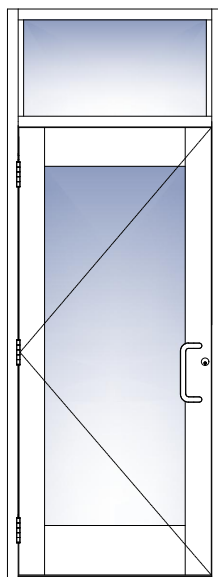
## Test

- Design loads:  
Single: +50/-50 psf.  
Double: +30/-30 psf.

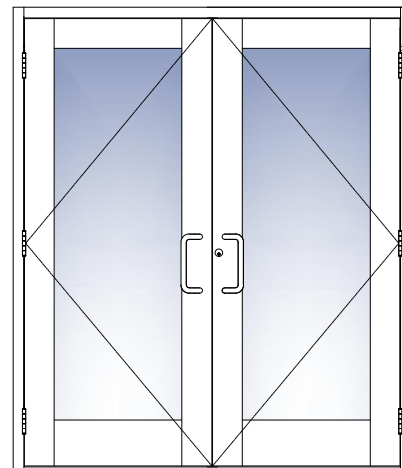
## Configurations



SINGLE DOOR

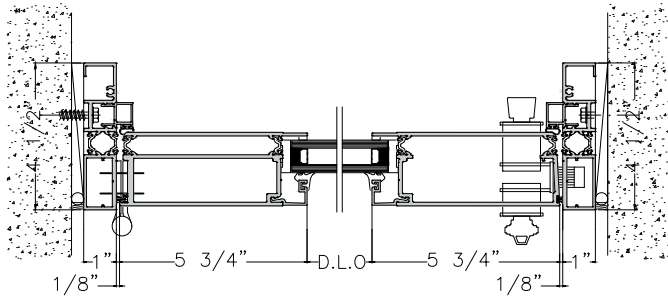
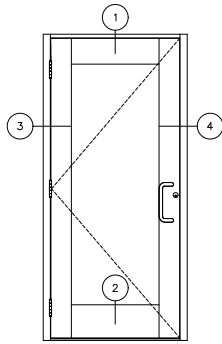


SINGLE DOOR WITH TRANSOM



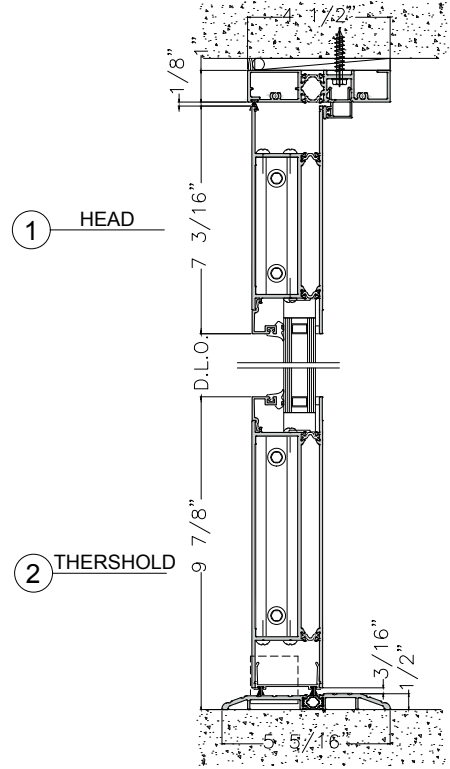
DOUBLE DOOR

System details



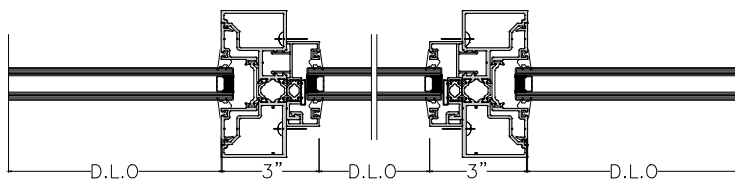
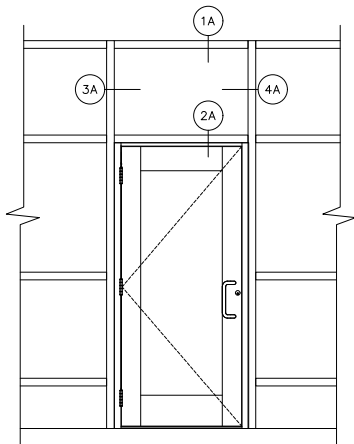
3 LEFT JAMB

4 RIGHT JAMB



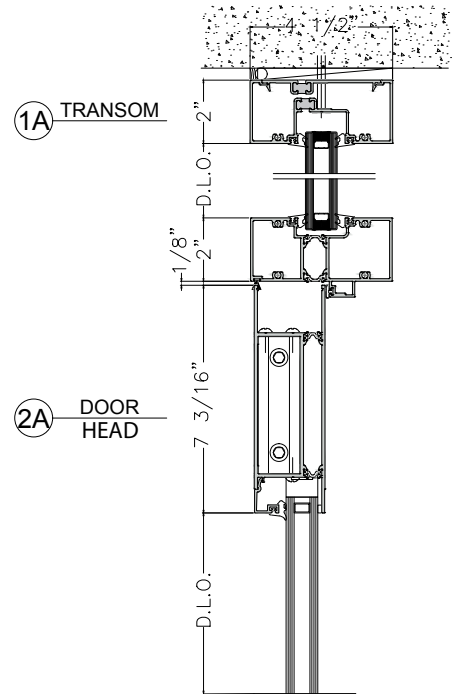
1 HEAD

2 THERSHOLD



3A LEFT TRANSOM

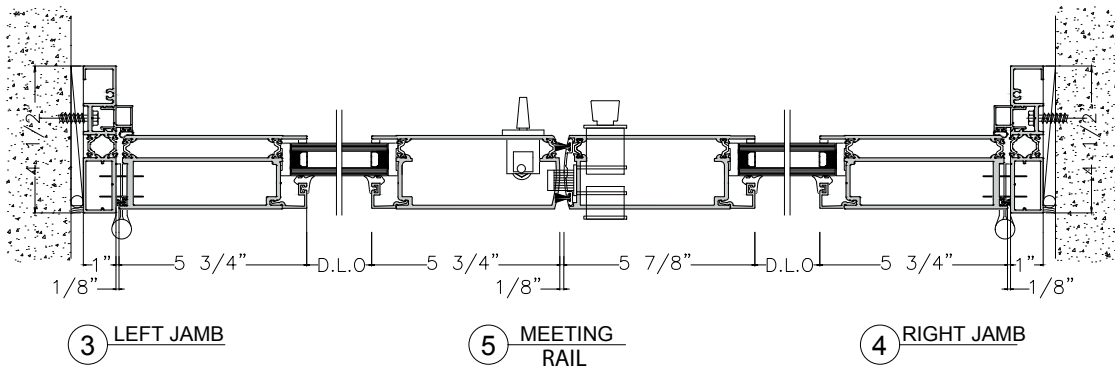
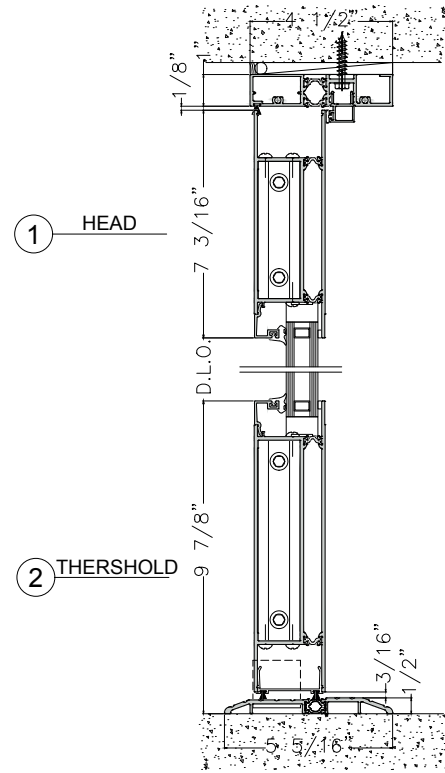
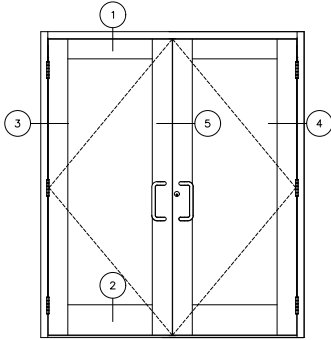
4A LEFT TRANSOM



1A TRANSOM

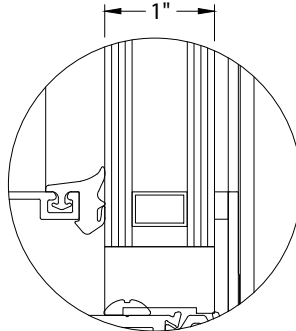
2A DOOR HEAD

System details



## Glazing Options

Designed for 1" insulated glass



1/4" Heat Stren'd + 1/2" Spacer + 1/4" Heat Stren'd.

GLASS FINISH: Painted, serigraphy and digital printed.  
For more information contact TECNOGLASS® or visit [www.tecnoglass.com](http://www.tecnoglass.com).

### Measurements

Maximum sizes:

Single: Width:42" Height: 108"  
Double: Width:94" Height: 120"

### Aluminum

ALLOY 6063-T5  
ALLOY 6063-T6  
For more information about aluminum and finishes consult ALUTIONS®.

### Sealant

APPROVED SILICONE SEALS:

WEATHERPROOFING SILICONE:  
Used to seal profile unions to avoid air and water infiltration.

- Dowcorning 791(Black-White)

STRUCTURAL SILICONE:

Besides acting as a sealant it is capable to support high loads. This silicone is commonly used to support the glass in facades and hurricane resistant products.

- Dowcorning 983
- Dowcorning 995

### Accessories



Push-pull handle



Butt hinges