

# 2400ST

## SLIDING DOOR



ENERGÍA SOLAR  
ESWINDOWS

# DESCRIPTION

## SYSTEM DESCRIPTION:

- 2400ST LMI (Large Missile Impact) and SMI (Small Missile Impact).
- Maximum size anchored jamb: 194 1/4" x 132".
- Maximum size un-anchored jamb: 194 1/4" x 120".
- Panel width: 50".
- Maximum height: 132".
- Design load: +/- 131 psf. (See NOA charts for specific design load capacity).
- Water infiltration: 19,65 psf.

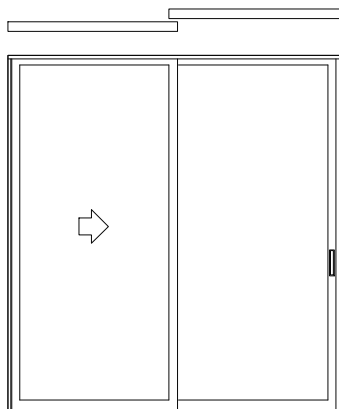
## FEATURES:

- High quality roller in a durable material.
- Screens inside and outside installed screen option.
- Available in anodized, painted or wood grain finishes available.
- Fully weatherstripped for airtight seal.
- Anchored and freestanding jamb option.

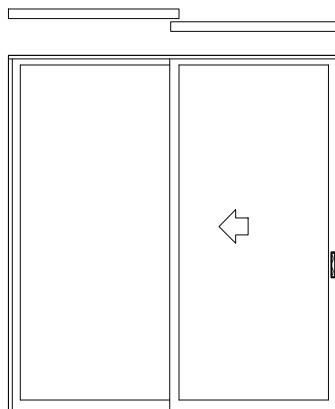
## BENEFITS:

- Enhanced durability.
- Easy to manipulate and install.
- Enhanced resistance to air and water infiltration.
- Enhanced water performance.

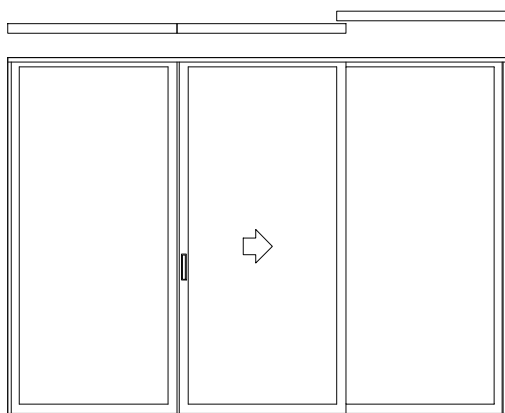
# CONFIGURATIONS



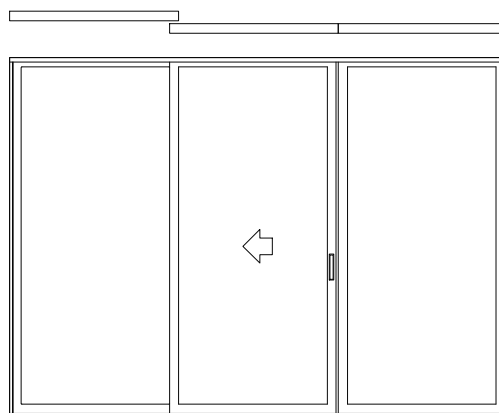
**XO**



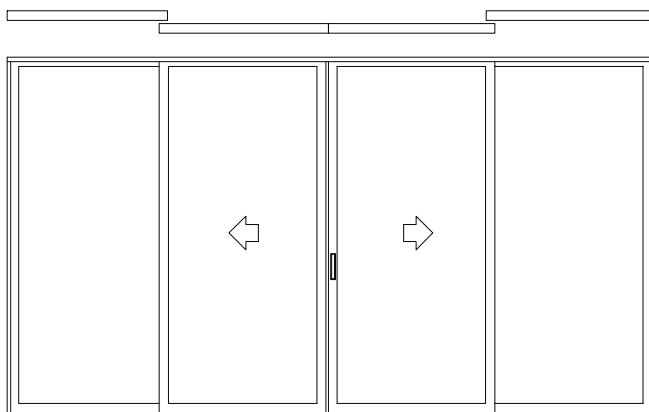
**OX**



**OXO**

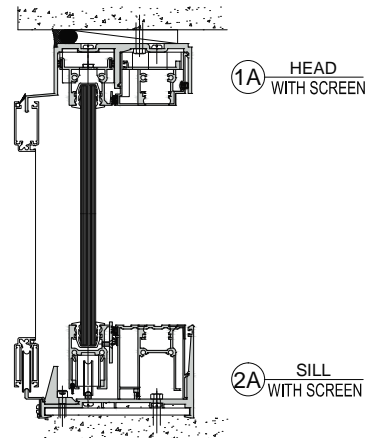
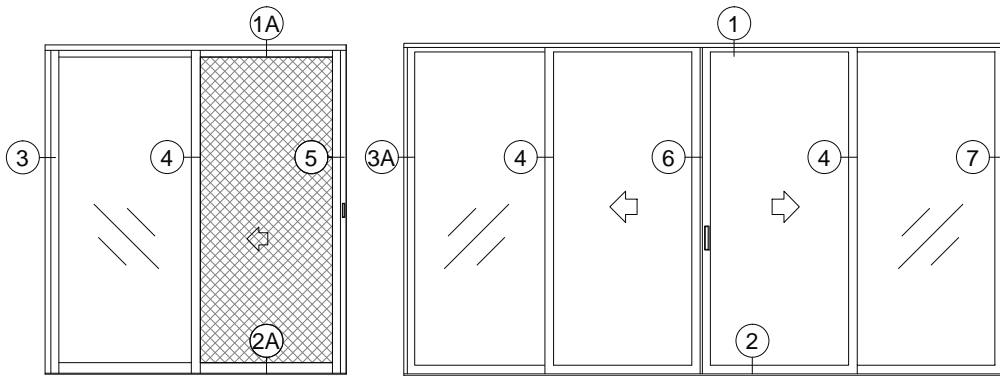


**OXO(reversal)**

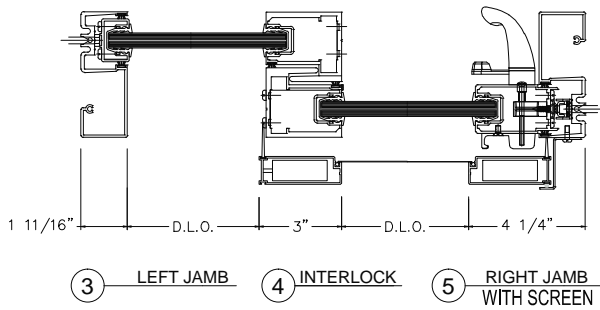


**OXOX**

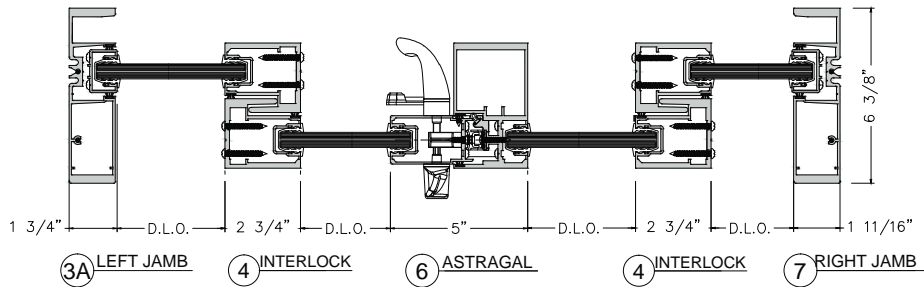
# DETAILS



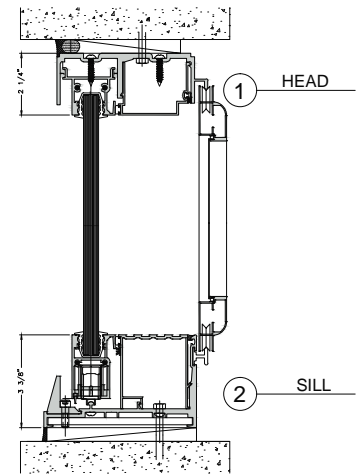
**OUTSIDE SCREEN SHOWN**



**ANCHORED OPTION SHOWN**



**UNANCHORED OPTION SHOWN**



**INSIDE SCREEN SHOWN**

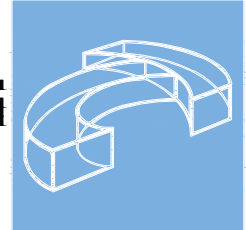
# GLASS

LAMINATED GLASS: 9/16".

GLASS FINISH:

PAINTED  
SERIGRAPHY  
DIGITAL PRINTED

**TECNOGLASS**



For more information please contact  
TECNOGLASS® or visit [www.tecnoglass.com](http://www.tecnoglass.com)

# ALUMINUM

ALLOY 6063-T6  
ALLOY 6005-T5



For more information about aluminum and finishes consult ALUTIONS ®.

# SILICONE

APPROVED SILICONE SEALS:

WEATHERPROOFING SILICONE:

Used to seal profile joints to avoid air and water infiltration.

- Dowcorning 791 (Black-White)

STRUCTURAL SILICONE:

Besides acting as a sealant it is capable to support high loads. This silicone is commonly used to support the glass in facades and hurricane resistant products.

- Dowcorning 995

# ENERGÍA SOLAR ESWINDOWS

**Av. Circunvalar at 100 mts of Via 40 Las Flores  
Barranquilla, Colombia PBX: (57 5) 3664600  
service@eswllc.com, PBX: (+1) 305 5074545**

**DRAWN BY: MARTHA CASTILLA**