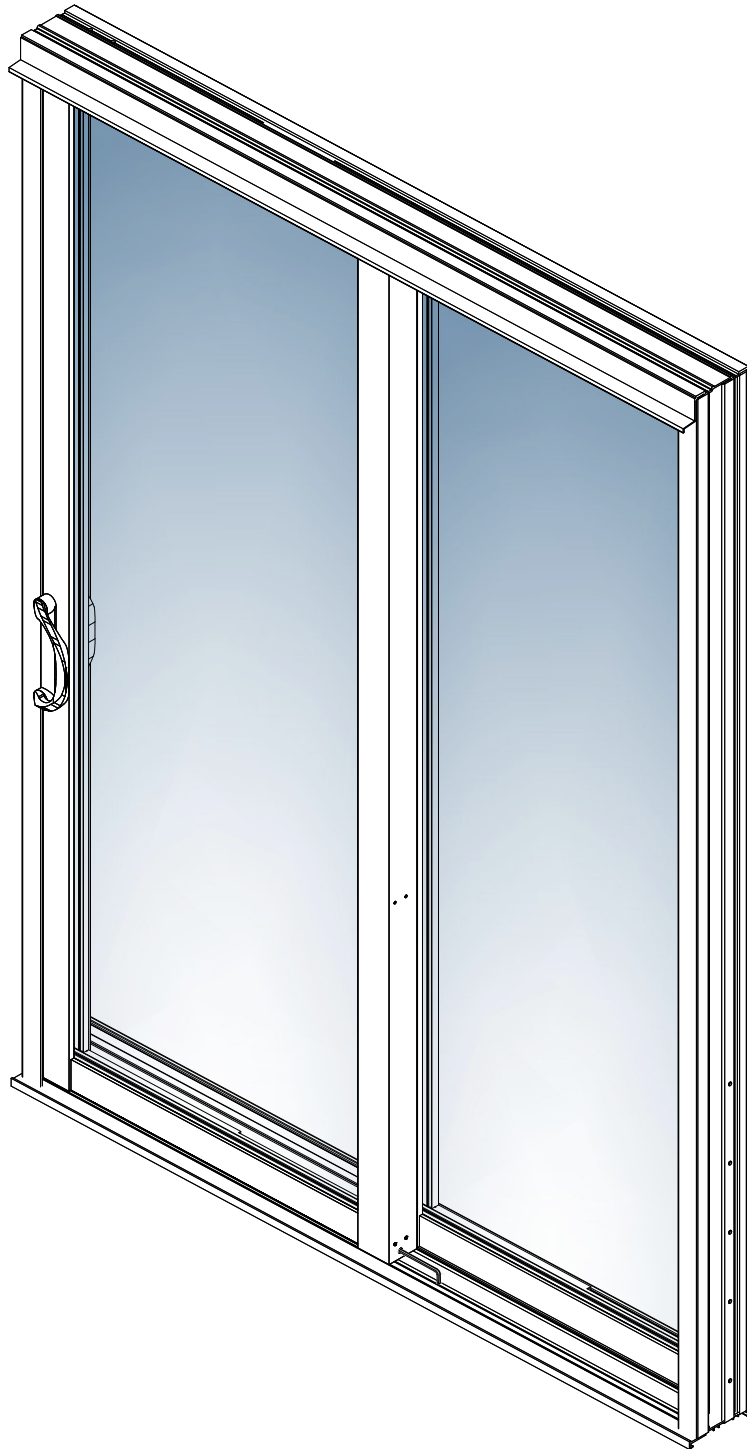


2400ST



HSEQ REGULATIONS

Read all instructions carefully before attempting this procedure. If you have any questions about your ability to complete this procedure, contact ESWINDOWS for further direction.

If swing stages are required for installation, the HSEQ inspector must approve the permissions.

- Wear the necessary personal protective equipment for product installation.
- Take safety precautions when performing the activity.
- Please follow the steps and make sure you have appropriate personal protective equipment and follow the rules established by the guidance for working at height, if required to do so.

IMPORTANT:

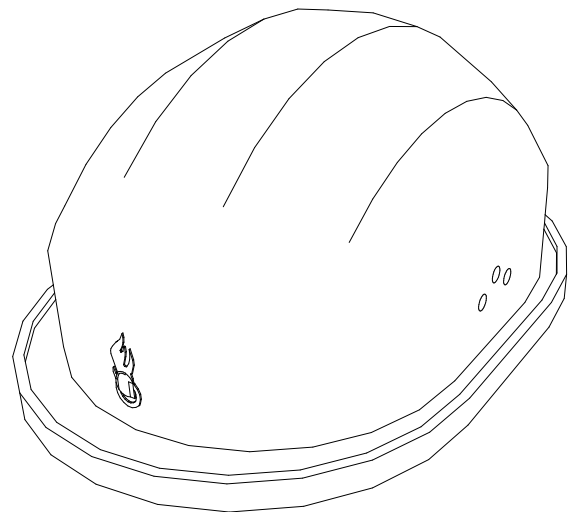
Contractors must have and execute an adequate QA/QC policy to guarantee the product installation is within industry standards and ESW guidelines. Once the product is received in acceptance by the contractor, any damage or installation problems are no longer responsibility of ESWINDOWS.

INTRODUCTION

2400ST, sliding glass door system.

This guide illustrates step by step the correct way to install the system.

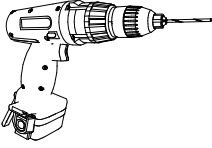

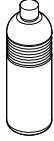
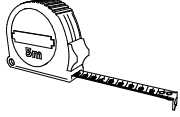

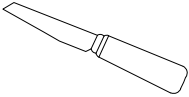
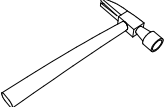
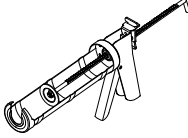
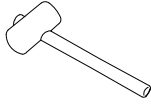
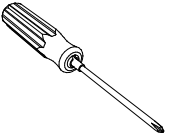
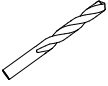
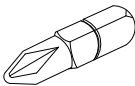
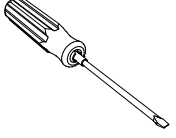
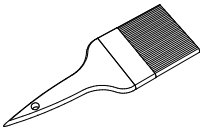
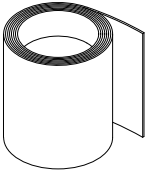
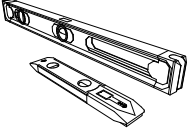
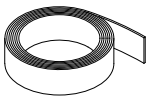
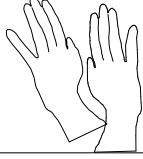
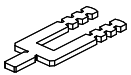
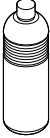

Prior to installation process check that all parts, glass and materials are in right conditions, verify that the quantities and descriptions match production planes.



INSTALLATION INSTRUCTIONS

TOOLS AND SUPPLIES REQUIRED FOR INSTALLATION.....	Pág. 2
PARTS REQUIRED FOR INSTALLATION.....	Pág. 3
INSTALLATION	
STEP 1 INSPECTION AND VERIFICATION.....	Pág. 4,5
STEP 2 FRAME ASSEMBLY	Pág. 6,7
STEP 3 FRAME INSTALLATION	Pág. 8,9
STEP 4 PANEL INSTALLATION	Pág. 10,11
STEP 5 INSTALLATION OF ACCESSORIES	Pág. 12-15
STEP 6 PERIMETER SEAL	Pág. 16
REVIEW	


TOOLS AND SUPPLIES FOR INSTALLATION

Detail	Description	Detail	Description	Detail	Description
	Drill		Plumb		Thinner
	Measure tape		Thread		Knife
	Hammer		Industrial Silicone gun		Mallet
	Phillips screwdriver		Bits for concrete		Point
	Slot screwdriver		Brush		Clean rag
	Level		Masking tape		Safety gloves
	Plastic shims		Isopropyl alcohol		Safety glasses

INSTALLATION INSTRUCTIONS

PARTS REQUIRED FOR INSTALLATION		
PART	DETAIL	DESCRIPTION
2400ST-038		Head
2400ST-039		Sill
2400ST-071		Jamb
2400ST-019		Head cover
2400ST-012		Threshold
2400ST-031		Sill aluminum plate
PS01-0001-XXX		Handle
191014		keeper
E16-106 W/B		Bumper
PS01-5001-117		Retainer clip
#10 X 1 1/2" PH		Assembly screws

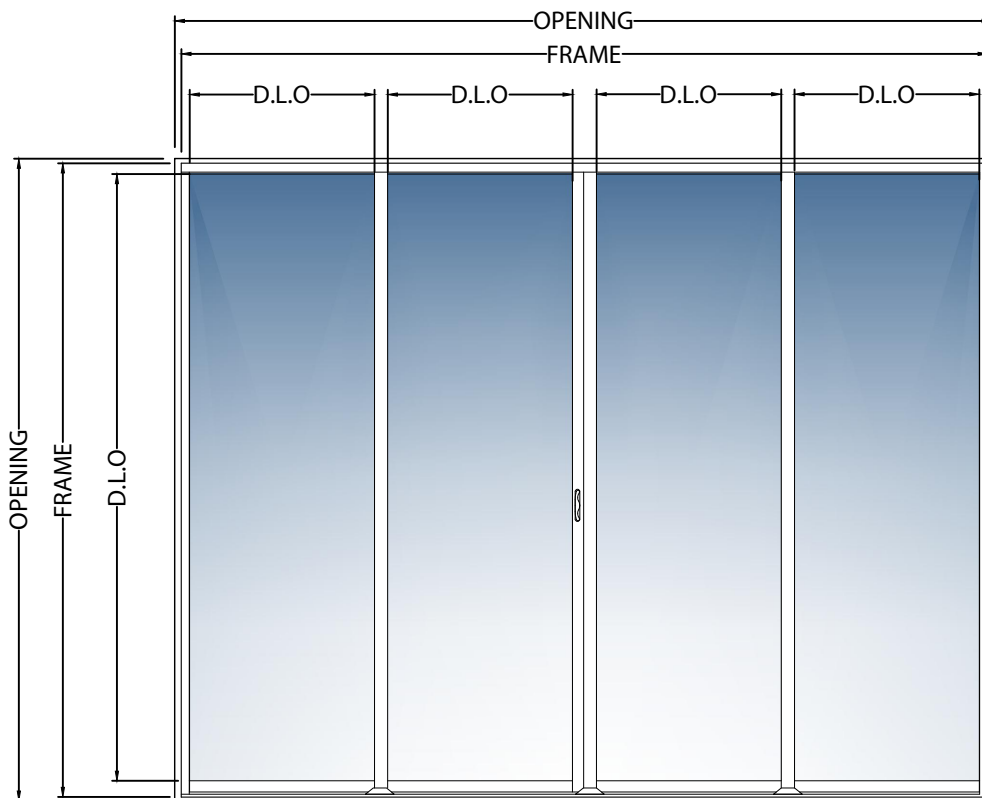
1/4-20 X 3/4" LG.		Retainer clip screw
#10 X 3/4" FH.		Mortise screw
#10 X 1" PH.		Assembly screw
P3802AFK		For interlocks
D.S. 791		Weatherproofing sealant

 Check the technical manuals and guides by sealant manufacturers to apply silicone correctly.

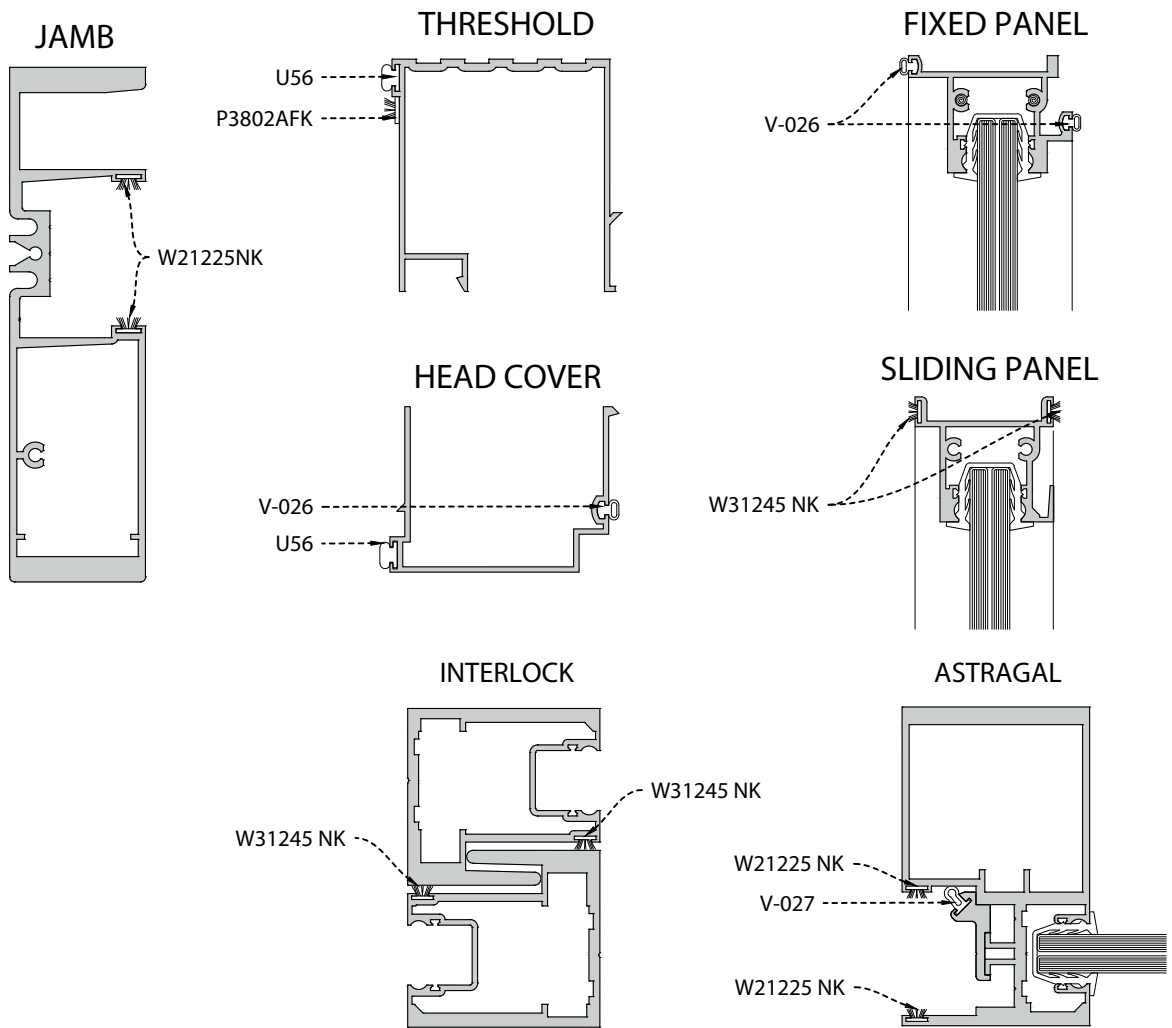
STEP 1

INSPECTION AND VERIFICATION:

- 1.1. The units, slabs, walls and other locations where the system will be installed, should be checked for the correct size as determined by dimensions listed in the architectural specifications and the shop drawings.
- 1.2. Check all the material upon arrival for quantity and damages.
- 1.3. Remove all materials that interfere with the proper installation of the unit.
- 1.4. If any irregularities are detected notify the general contractor.



1.5. Verify parts for the next gaskets and piles.

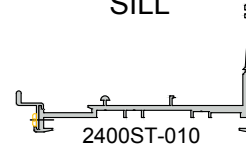


STEP 2

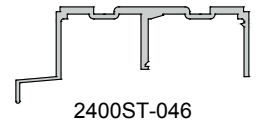
FRAME ASSEMBLY:

- 2.1. Identify between the installation of outside screen or inside screen heads and sill.
- 2.2. Clean the frame surfaces to be in contact with silicone.
- 2.3. Go to detail A to identify the orientation of the jambs according to its reference.
Apply weatherproofing sealant (D.C 791 or equal) to the jamb ends as shown in detail B.
Attach the head and sill to the jambs using #10 x 1" PH screws as shown in detail C.

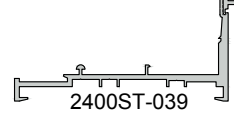
OUTSIDE SCREEN SILL



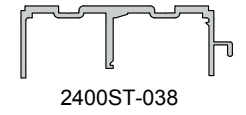
OUTSIDE SCREEN HEAD



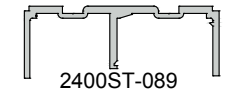
INSIDE SCREEN SILL



INSIDE SCREEN HEAD

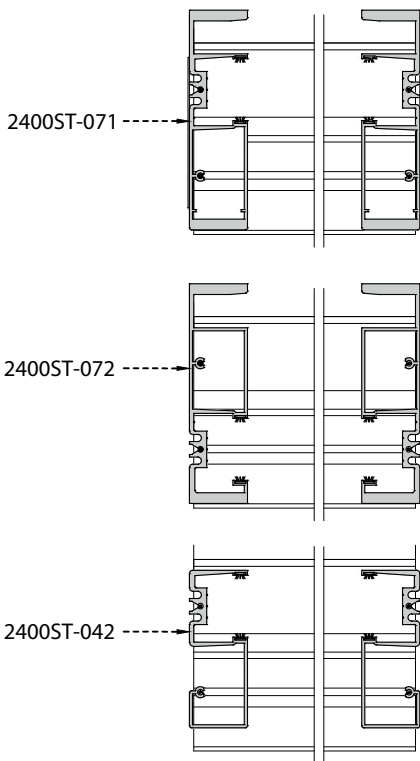


NO SCREEN HEAD

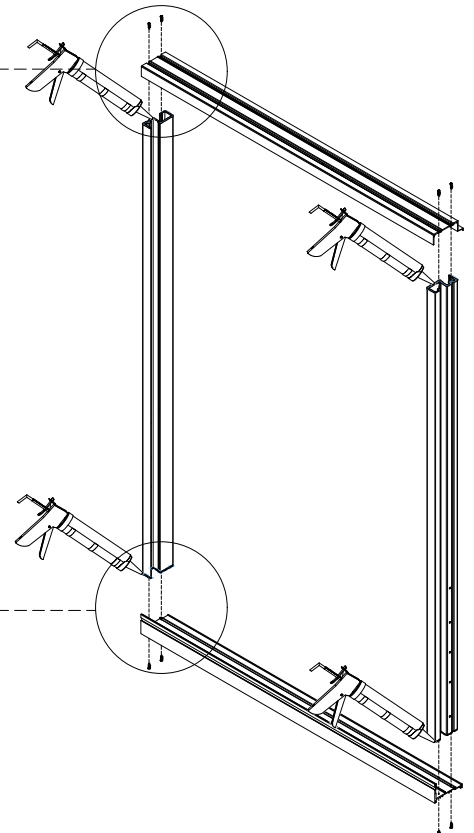
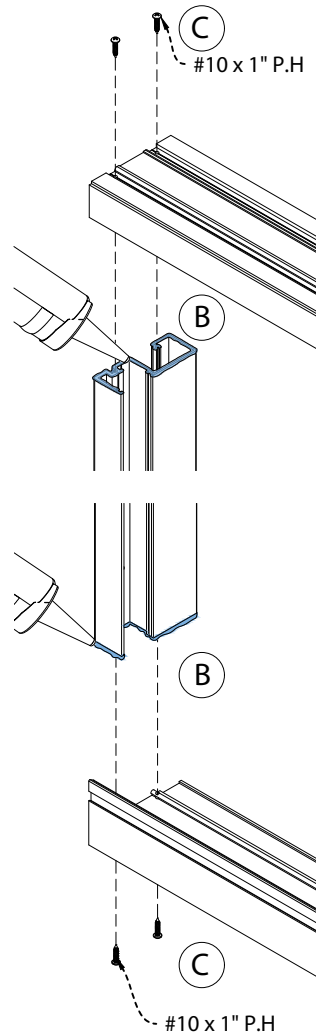


DETAIL 2.1

(A) JAMBS TOP VIEW

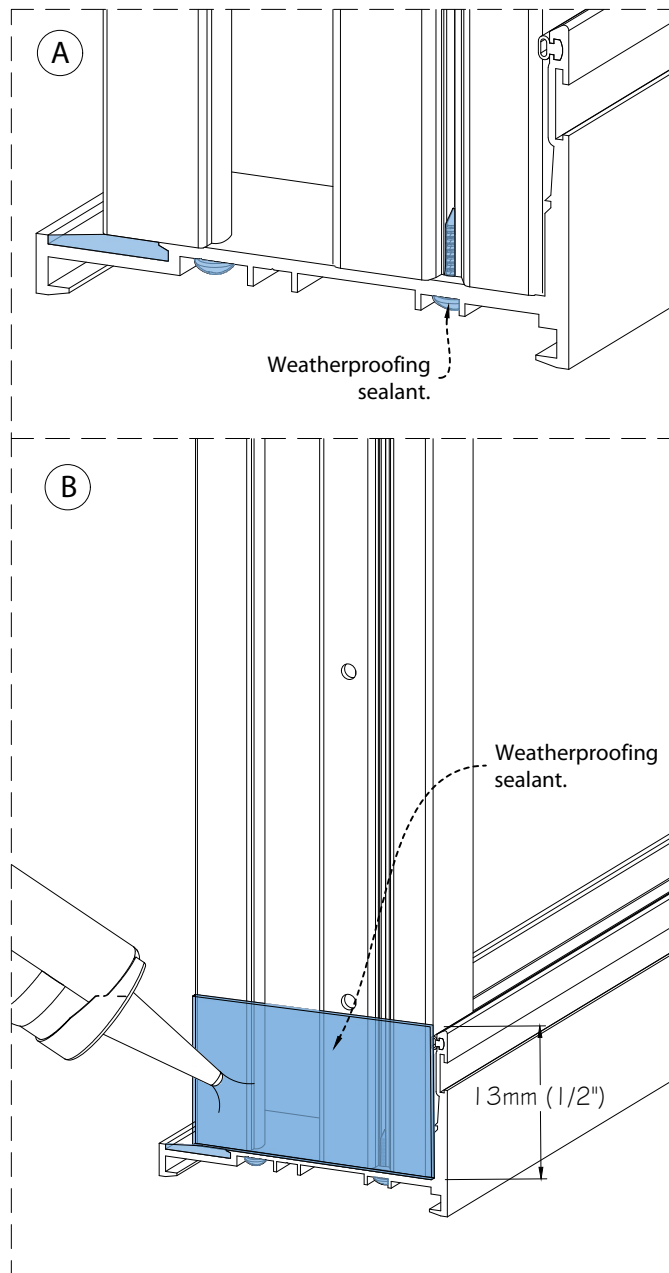


Outside



DETAIL 2.3

- 2.4. Apply weatherproofing sealant (D.C 791 or equal) to the body and head of screws (Detail A) and to the bottom of both jambs as shown in detail B.



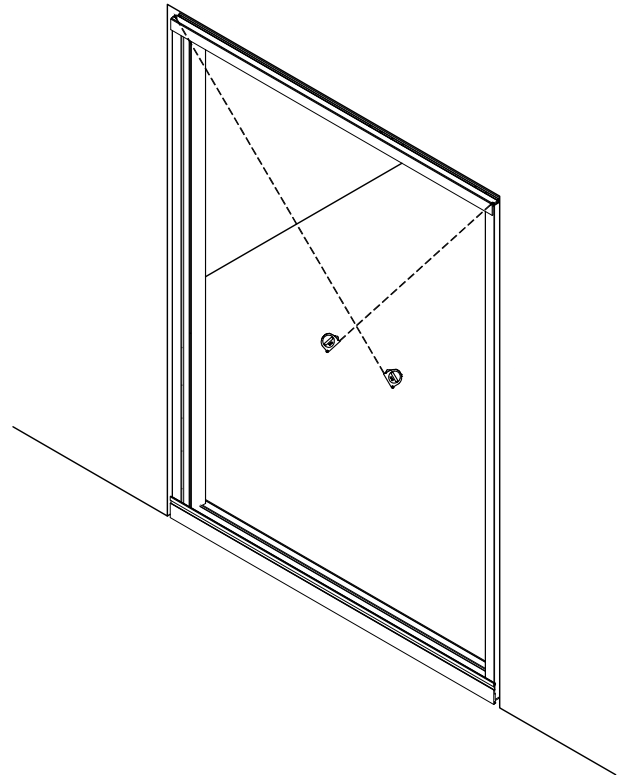
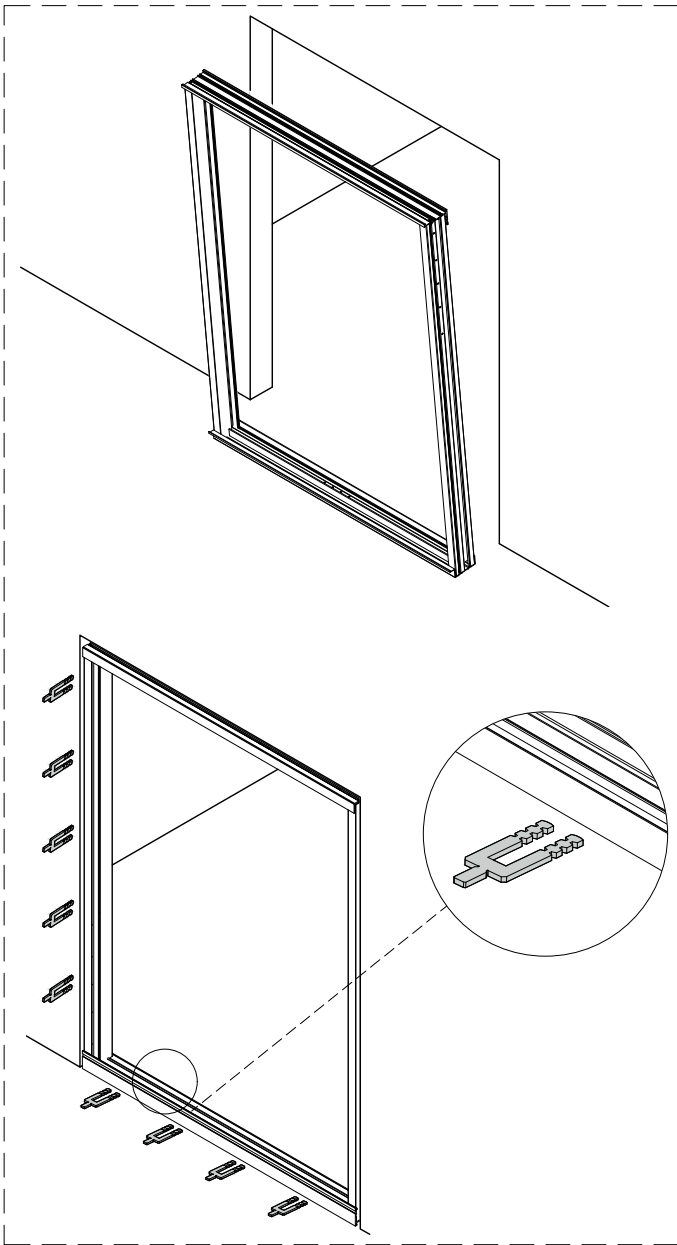
DETAIL 2.3

STEP 3

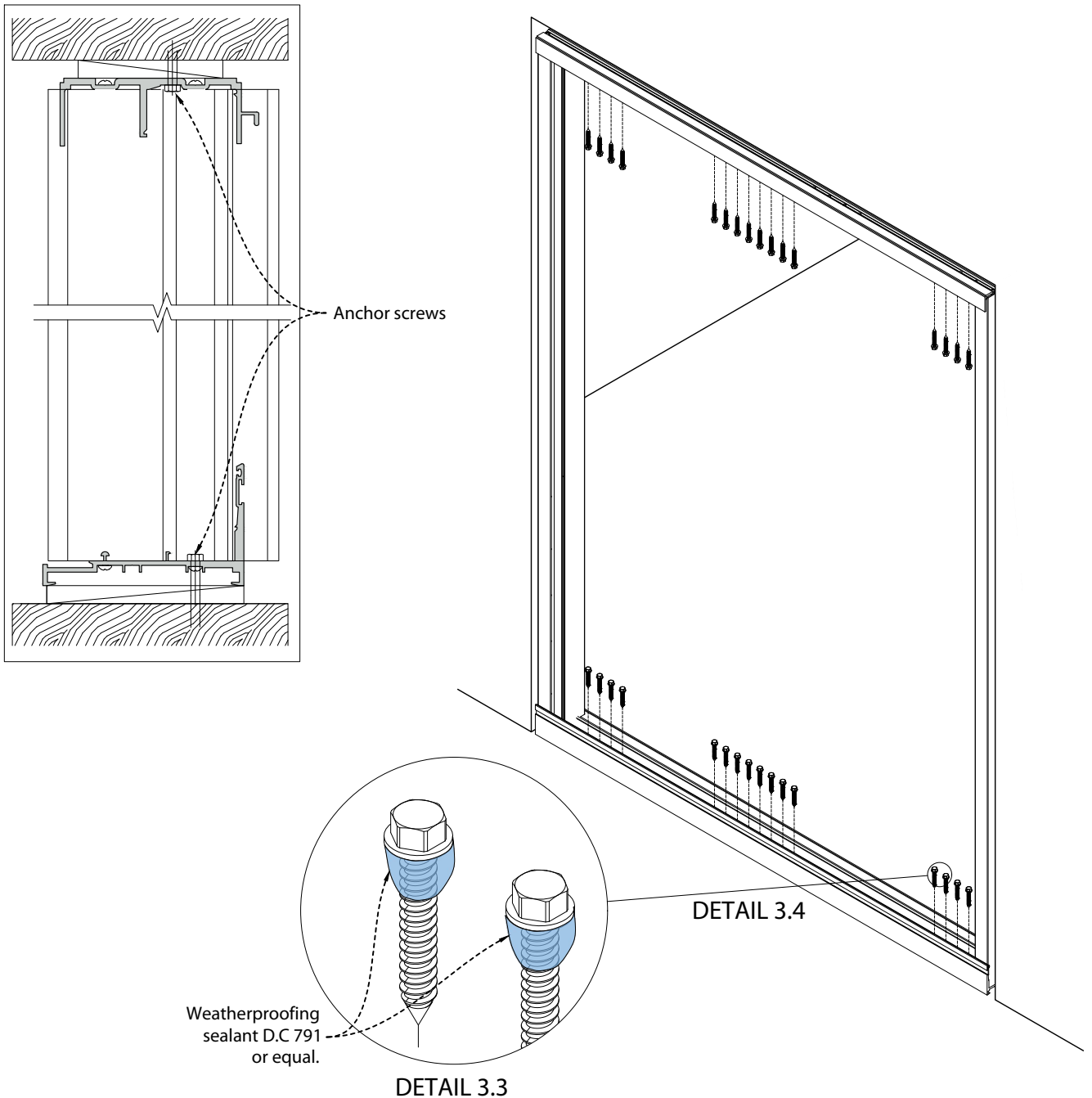
FRAME INSTALLATION:

3.1. Clean the opening and place the frame in it. Level the frame using hi-impact plastic shims.

3.2. Verify the squareness of the frame with the help of a plumb and a measuring tape



- 3.3. Apply weatherproofing sealant (D.C 791 or equal) between the head and body of sill anchor screws to guarantee a watertight sill.
- 3.4. Install anchor screws using prefabricated holes as a guide to drill.



STEP 4

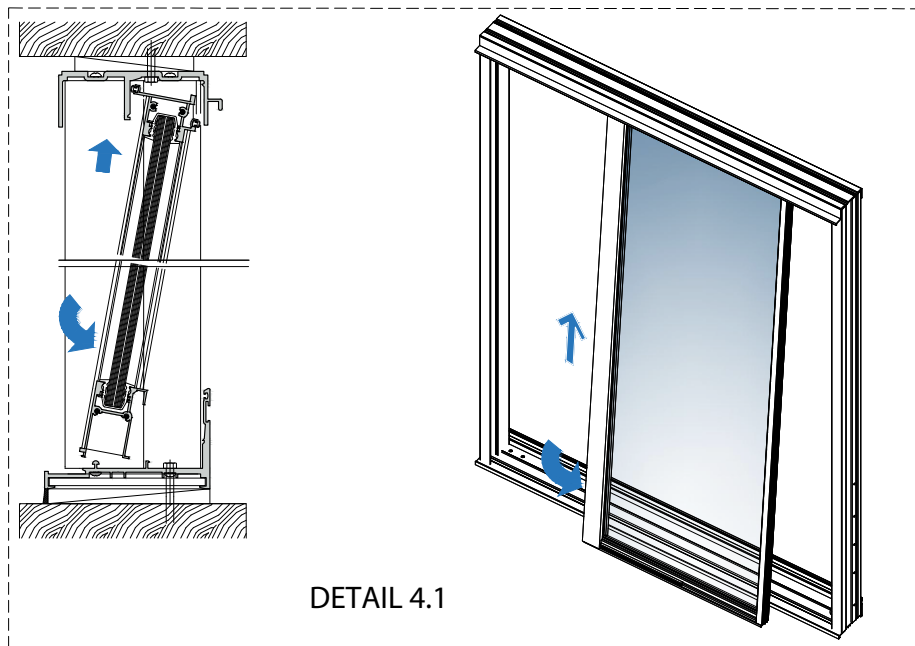
INSTALL PANELS:

4.1. Install fixed panel from the exterior.

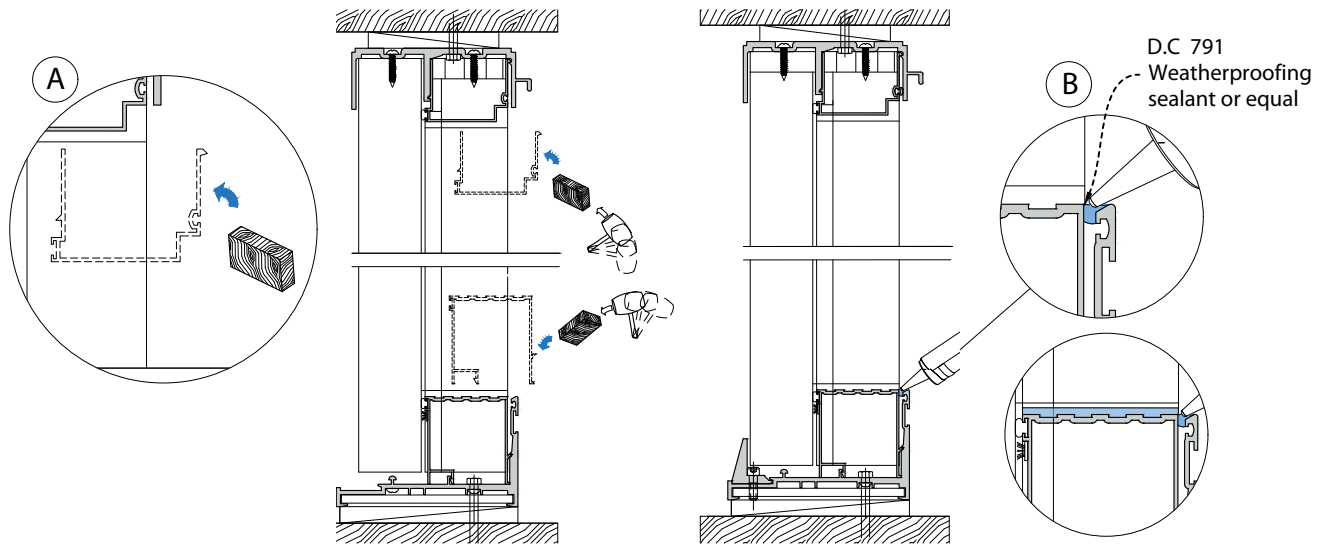
4.2. Install threshold and head cover (Detail A). Apply weatherproofing sealant D.C 795 to caulk the joints between threshold and frame (Detail B).



Prepare silicone contact surfaces at verticals and horizontals by cleaning the area with isopropyl alcohol (50%) and the “two rag method”.

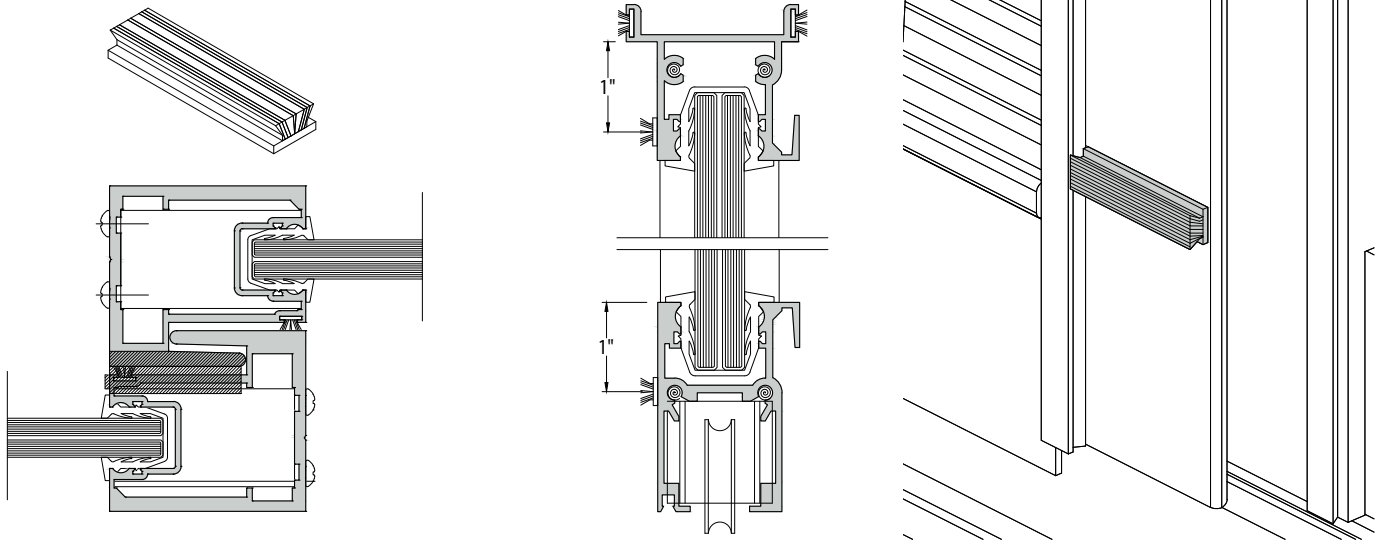


DETAIL 4.1

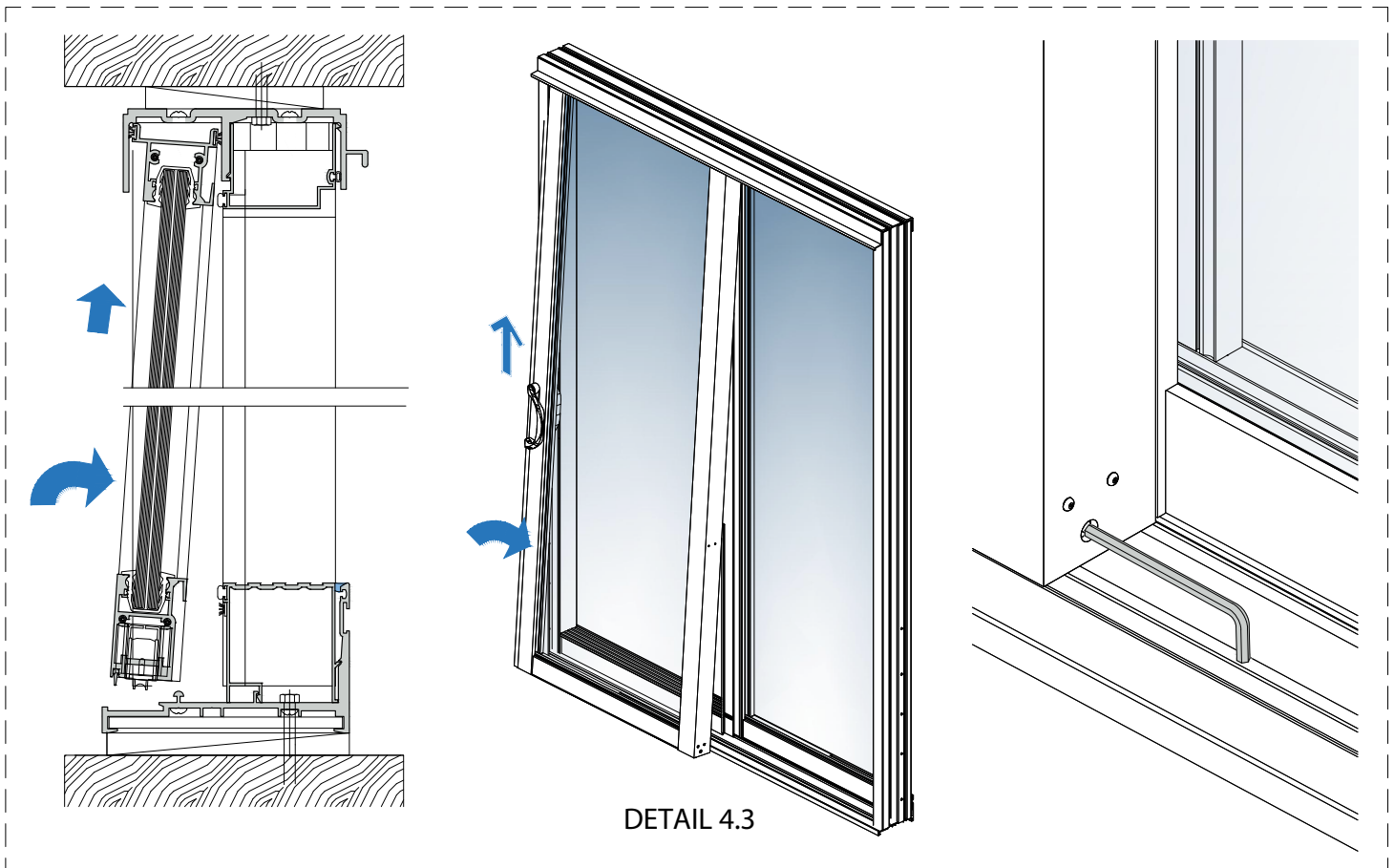


DETAIL 4.5

4.3. Install P3802AFK adhesive pile pads at top and bottom sliding panel at interlocks.



4.4. Install sliding panel from the exterior, adjust rollers with the help of an Allen wrench to level the panel.

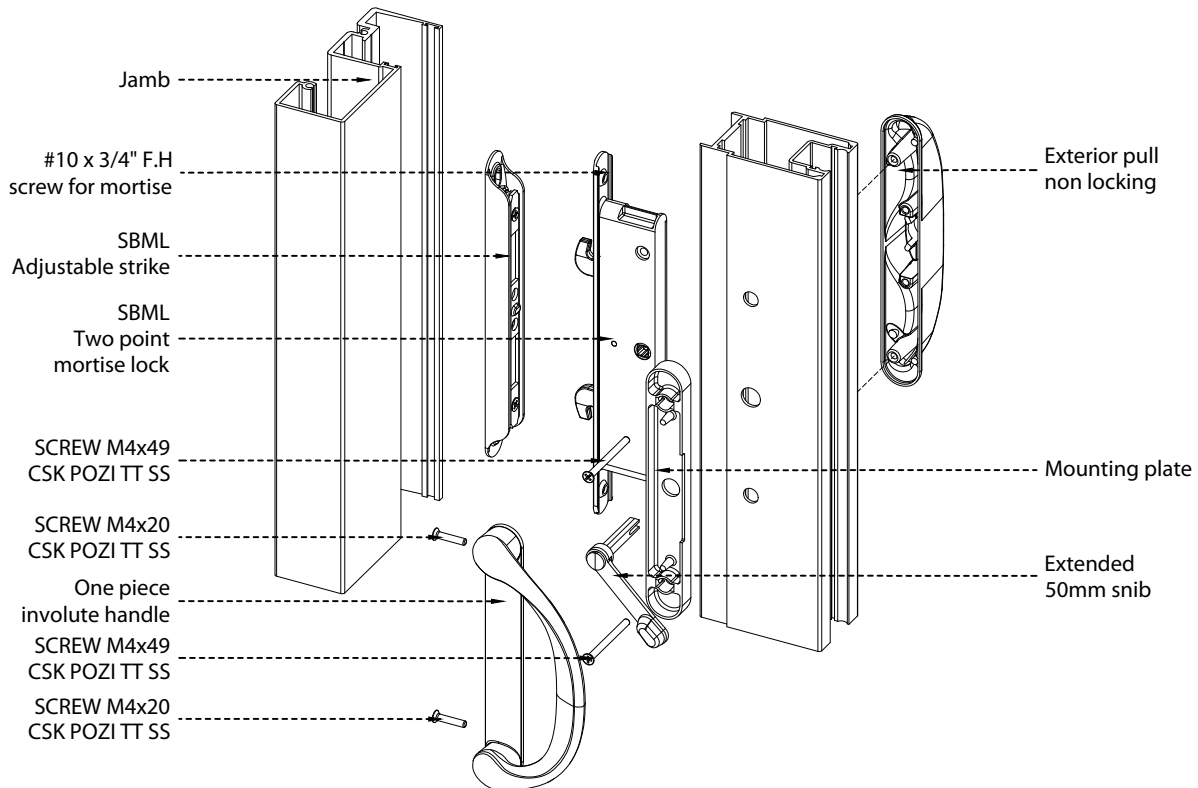


STEP 5

INSTALL ACCESSORIES (RETAINER CLIP, HANDLE AND BUMPER):

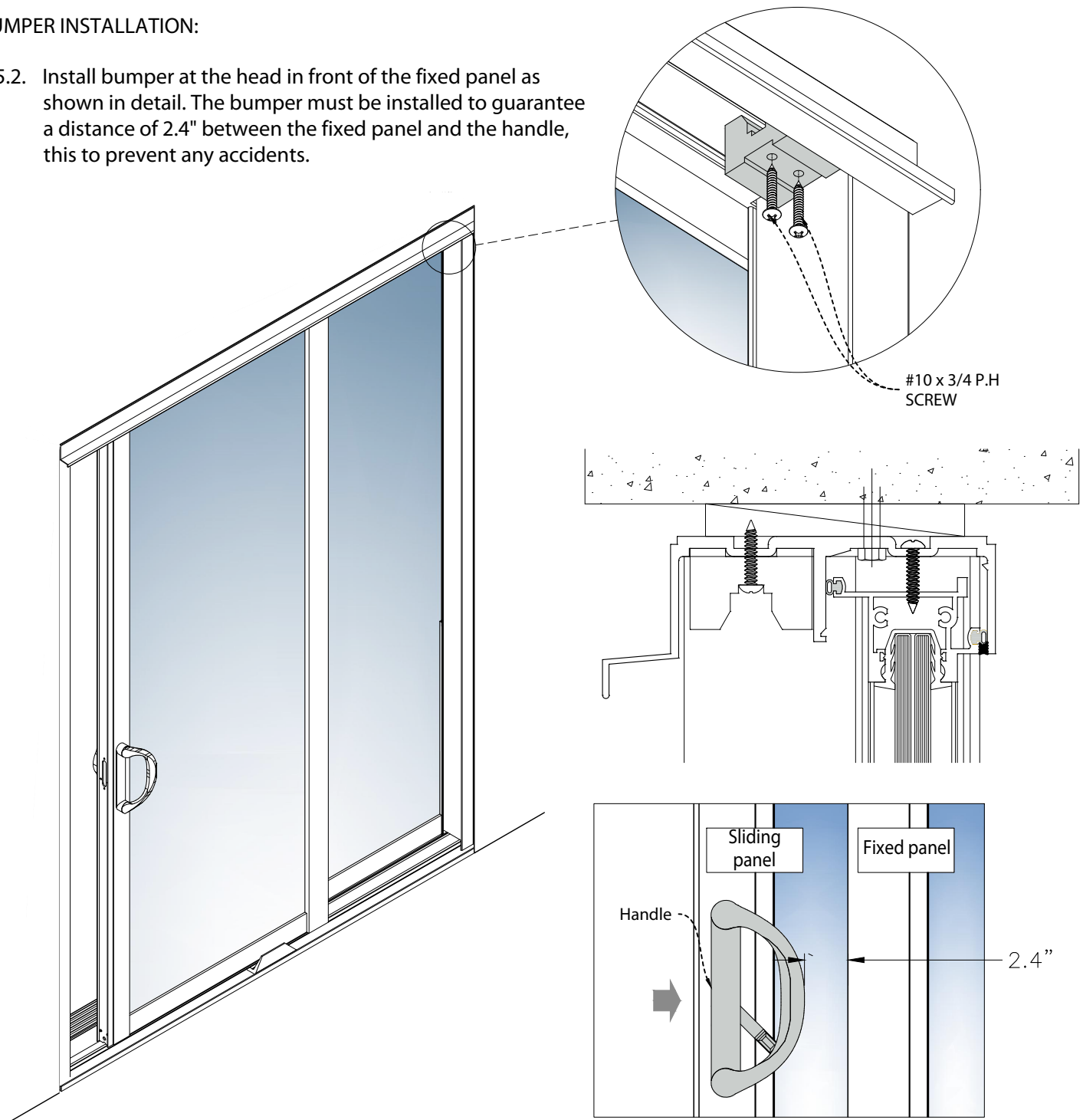
HANDLE INSTALLATION:

5.1. Install keeper and handle as shown in detail bellow.



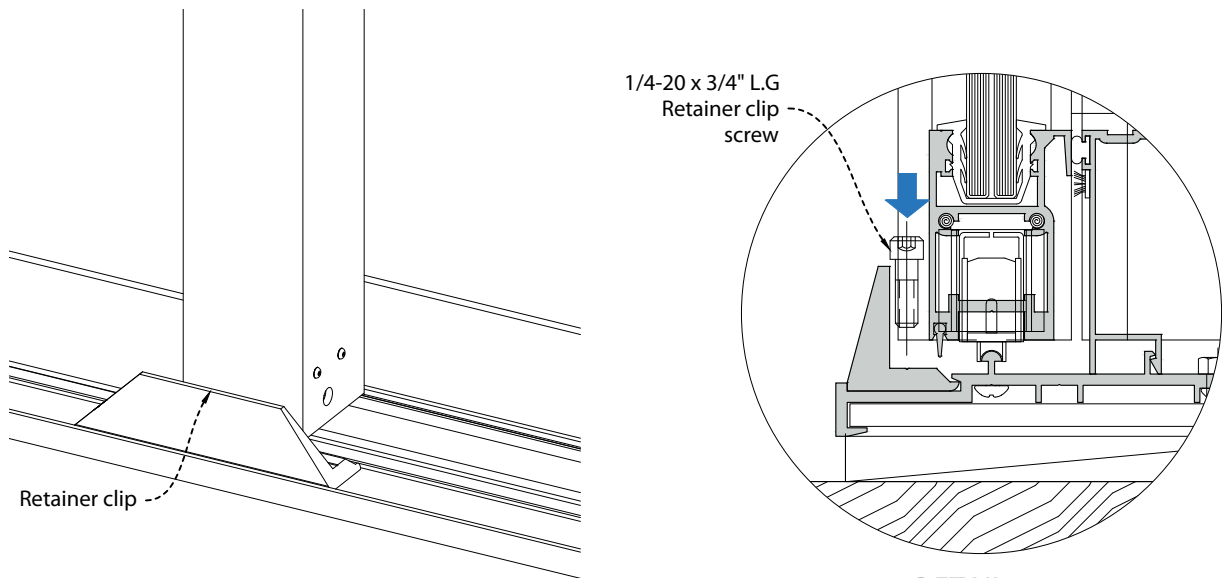
BUMPER INSTALLATION:

- 5.2. Install bumper at the head in front of the fixed panel as shown in detail. The bumper must be installed to guarantee a distance of 2.4" between the fixed panel and the handle, this to prevent any accidents.

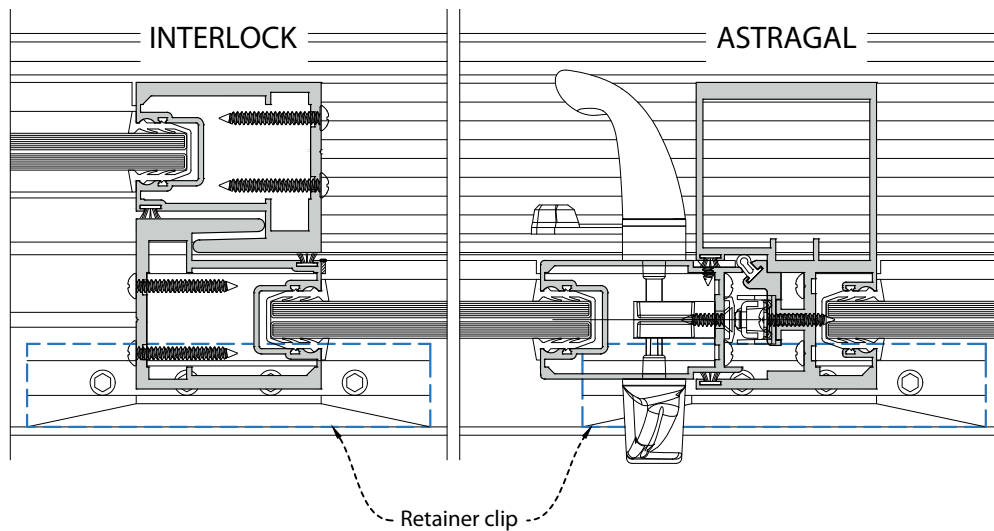


INSTALLATION OF RETAINER CLIP:

5.3. Install retainer clip as shown in detail in front of interlocks and astragals.

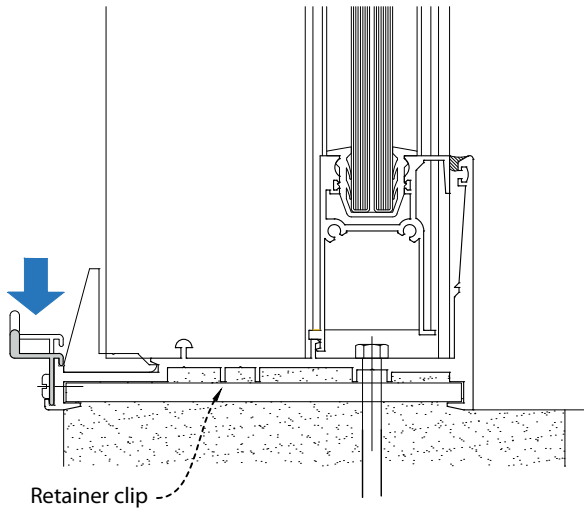


DETAIL 5.4

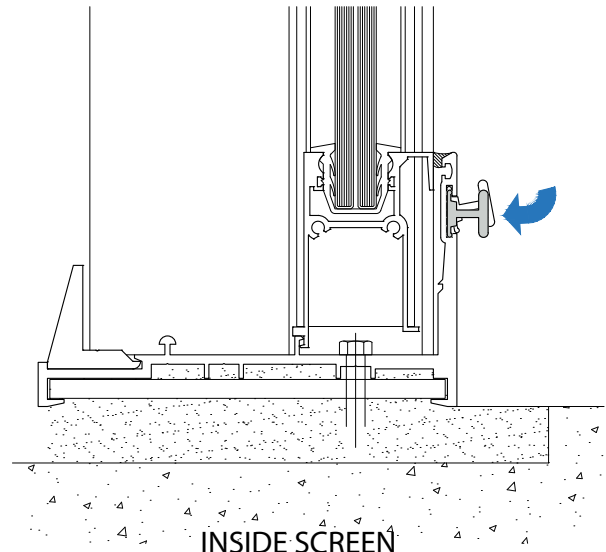


INSTALLATION OF SCREEN:

5.4. Hook screen track on the sill as shown in detail below.

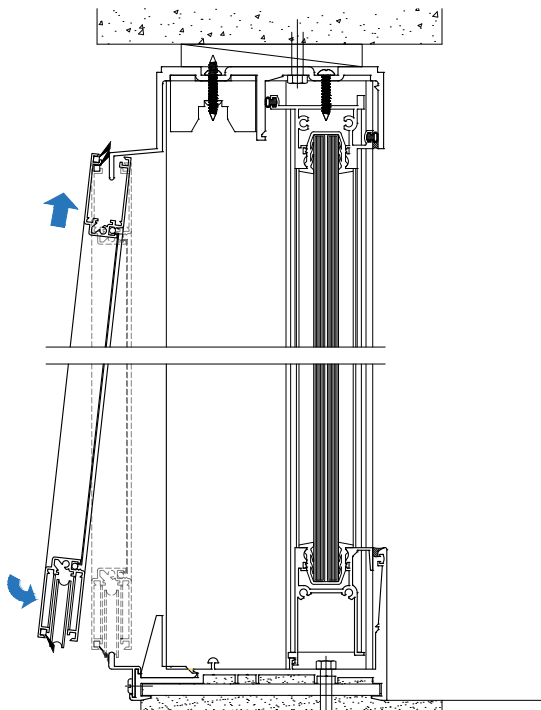


OUTSIDE SCREEN

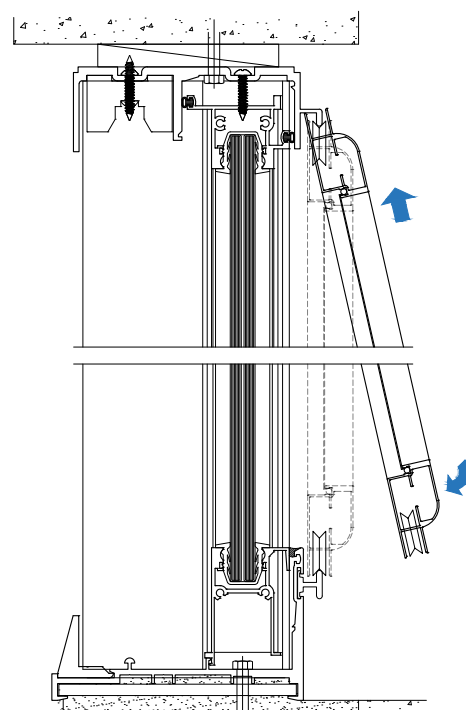


INSIDE SCREEN

5.5. To install the screen lift it towards the head fin, then rest the rollers onto sill track.



OUTSIDE SCREEN



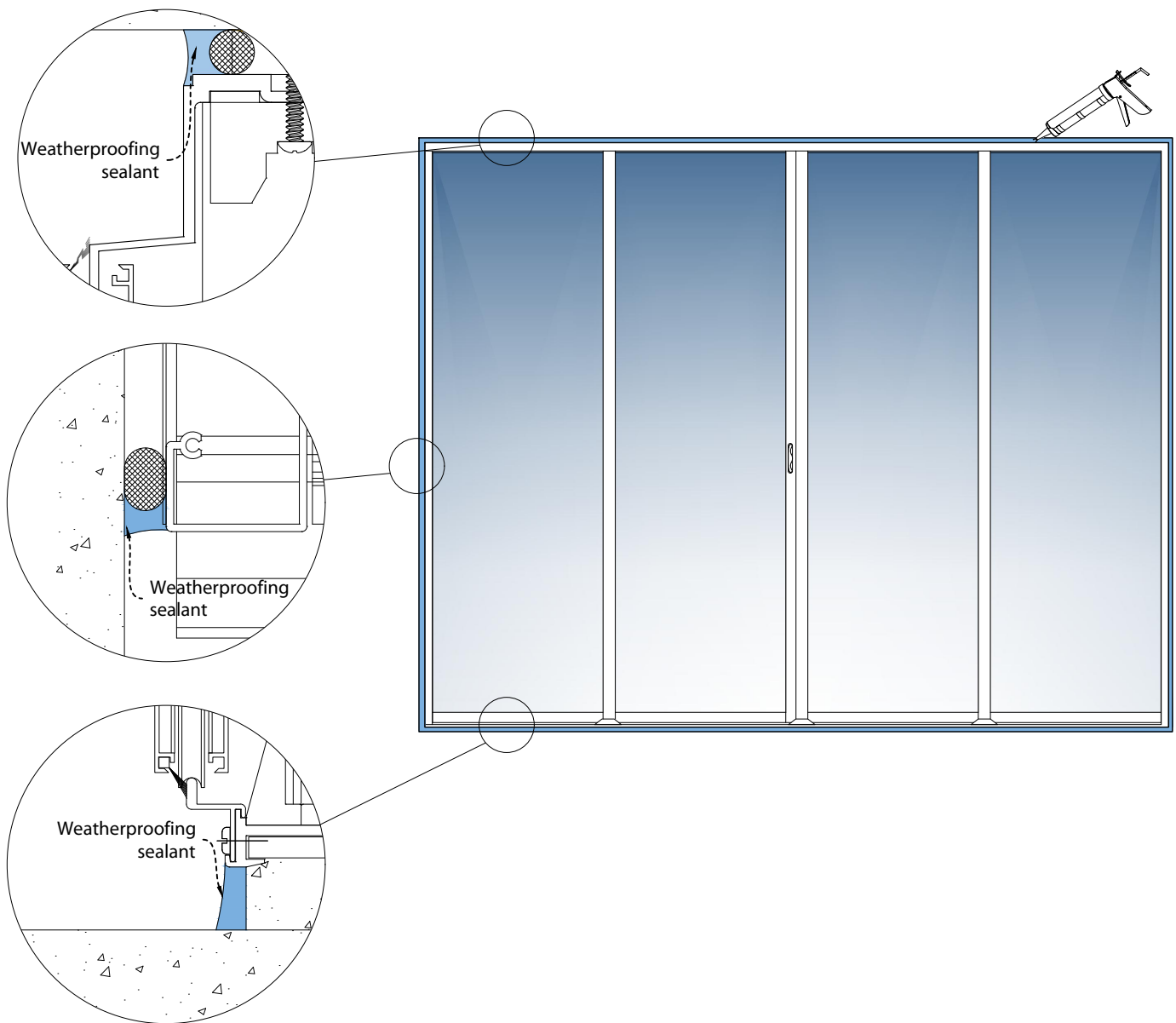
INSIDE SCREEN

DETAIL 4.1


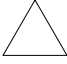
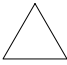
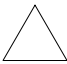





STEP 6

PERIMETER SEAL:

6.1. Install backer rods and apply weatherproofing sealant per approved shop drawings around frame perimeter



INSTALLATION INSTRUCTIONS

REVIEW No.	DATE	DESCRIPTION	BY.	PAGE.
	31/07/18	ASTRAGAL AND INTERLOCK PILE PADS INSTALLATION	MC.	3,5,11
				
				
				
				
				
				
				
				

Av. Circunvalar at 100 mts of Via 40 Las Flores
Barranquilla, Colombia PBX: (57 5) 3664600
service@eswllc.com , PBX: (+1) 305 5074545

BY Sariel González.