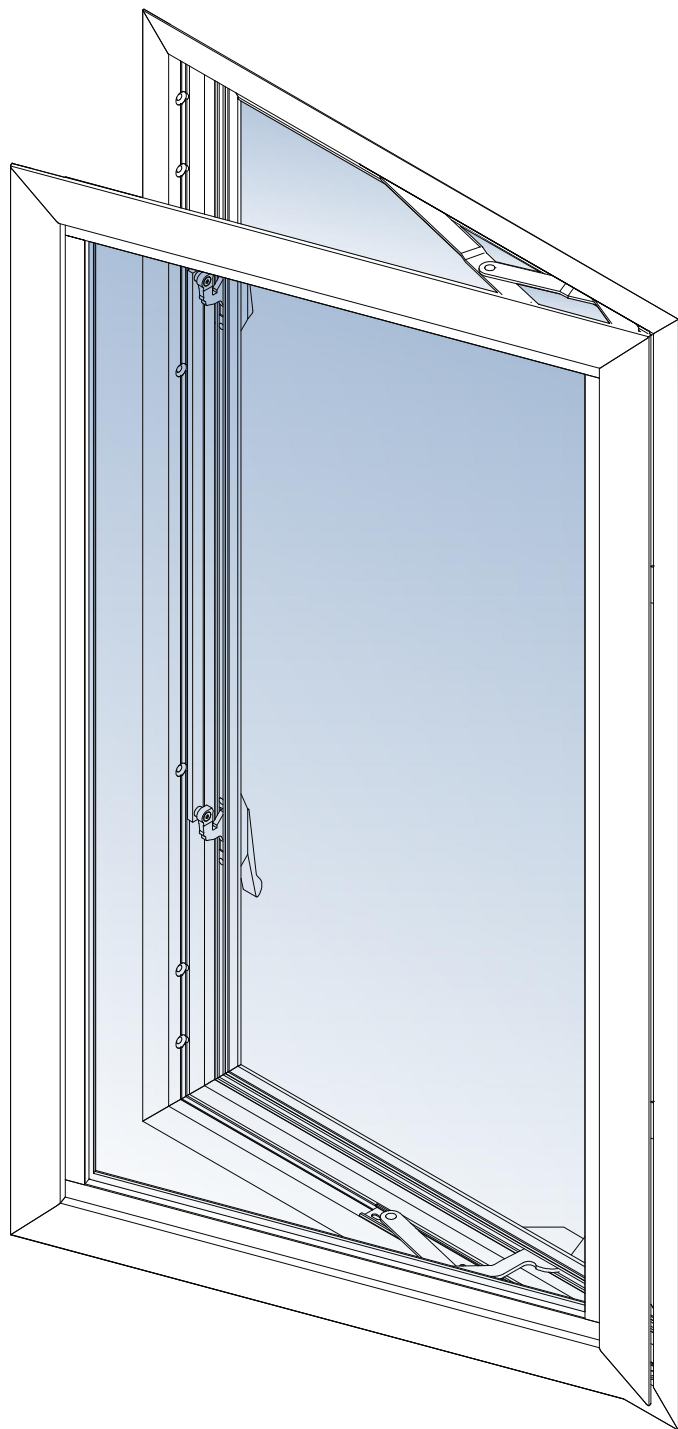


# ES-5000/ ES-5100

## PROJECT OUT/FIXED WINDOW



**ENERGÍA SOLAR**  
**ESWINDOWS**

## DESCRIPTION

The ES-5000 is a high impact project out window. This product is available in various finishes and glazing options. The ES-5000 system integrates with its fixed window version ES-5100 in order to achieve multiple configurations.

### SYSTEM DESCRIPTION:

- LMI (Large missile impact) and SMI (Small missile impact).
- Frame depth: 54mm (2 1/8").
- Designed for: 9mm(3/8") to 12mm(1/2") laminated glass & 20mm(3/4") insulated-laminated glass.
- Water infiltration resistance: 12.75 psf.
- Design load: +90/-90 psf.

### FEATURES:

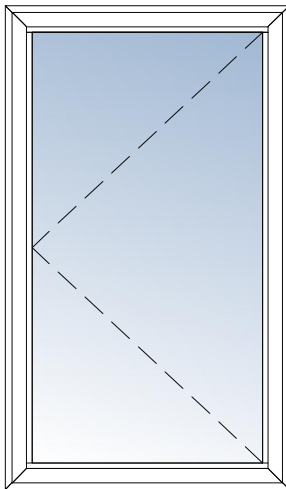
- Accessory variety including multipoint locks, high performance hinges, etc.
- Stainless steel projected hinges.
- Reinforcements at leaf corners and frames.
- Operator and multipoint lock.
- Muntins option.
- Fully weather stripping.
- Anodized and painted finishes available.

### BENEFITS:

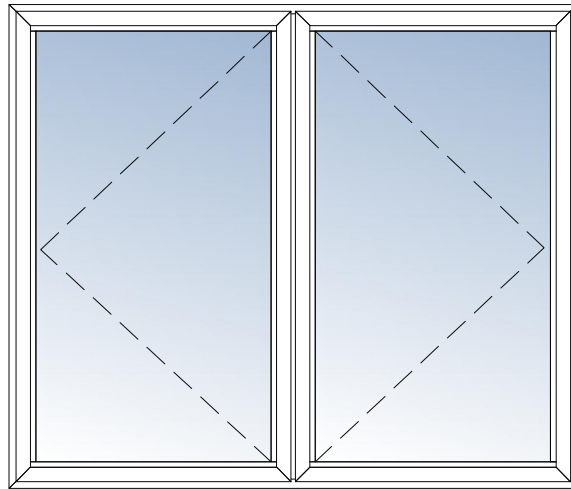
- Adaptable to different conditions and requirements.
- Aesthetic design.
- Enhanced resistance to air and water infiltration.
- Durability.
- Easy to manipulate.
- High performance.

# CONFIGURATIONS

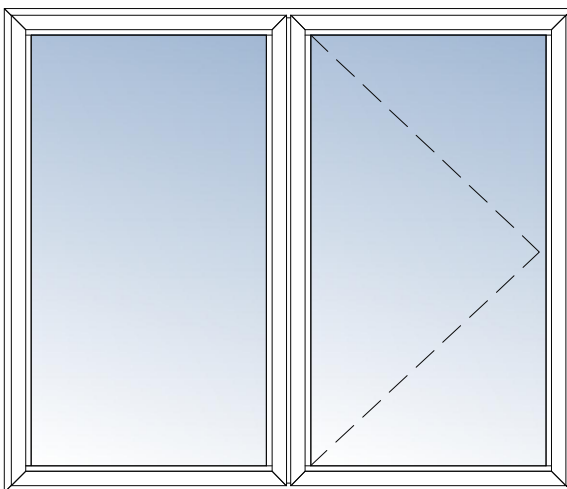
**X**



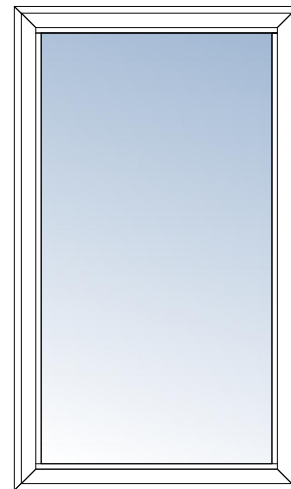
**XX**



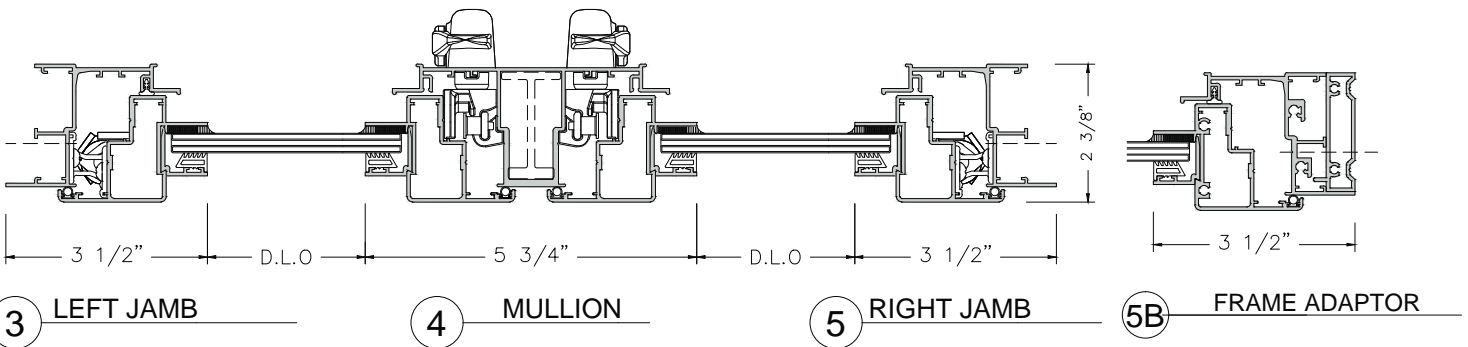
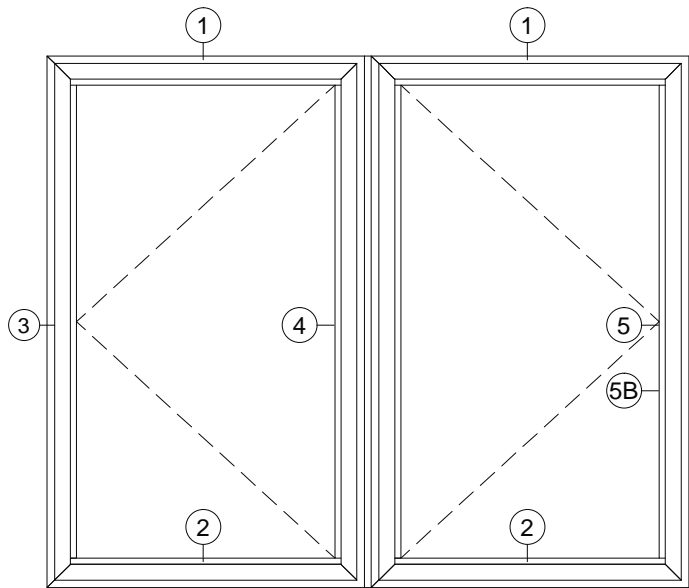
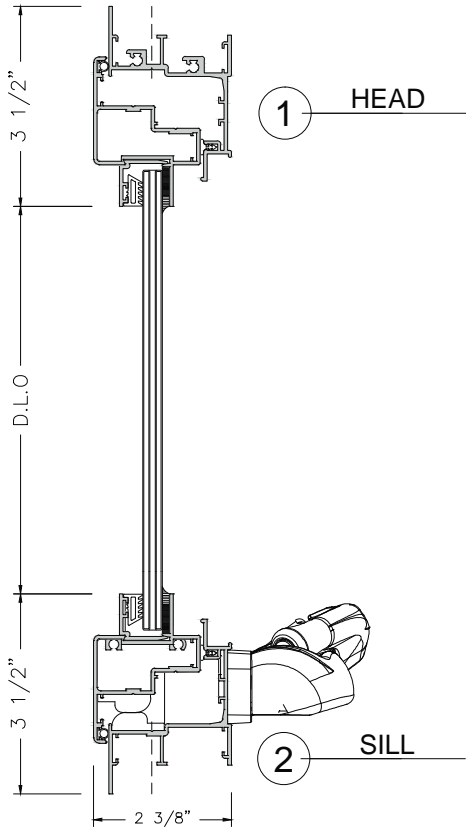
**OX**



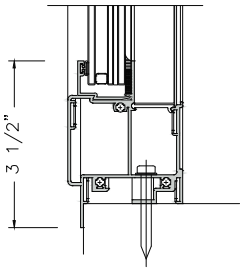
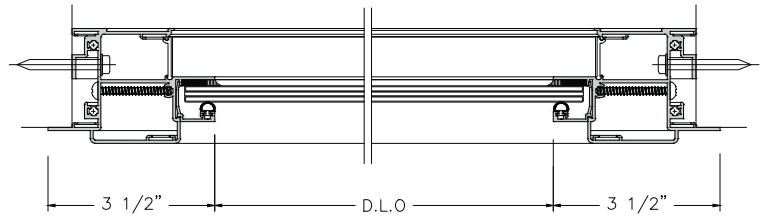
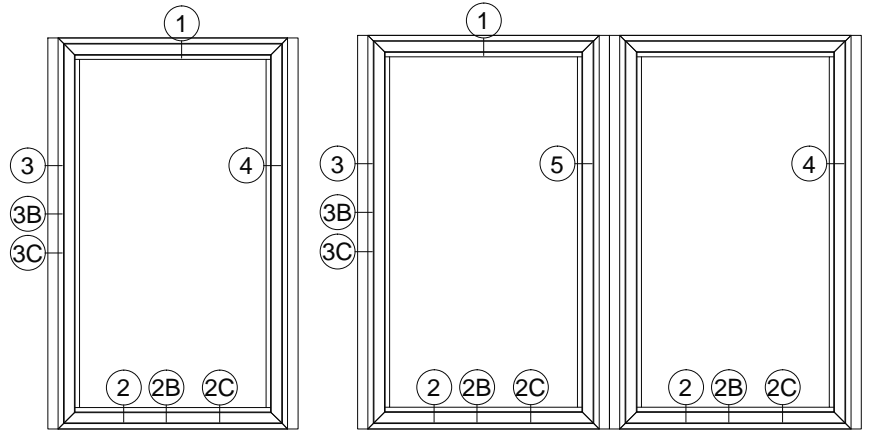
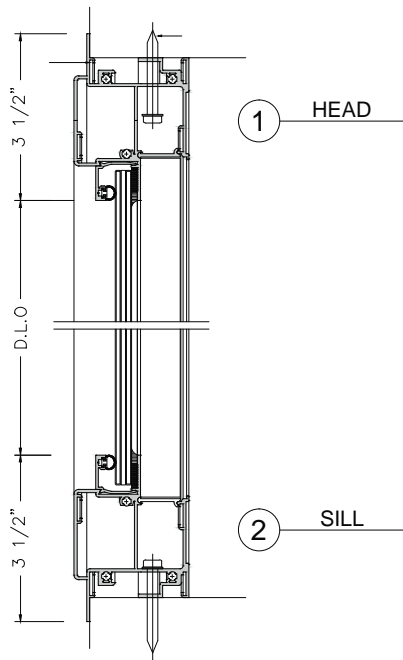
**O**



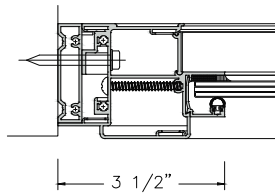
# DETAILS ES-5000 (PROJECT OUT)



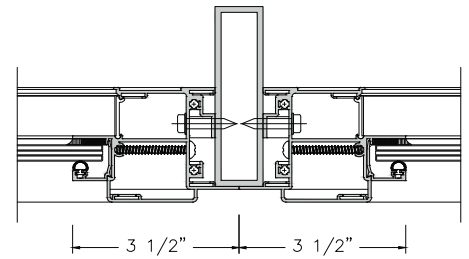
# DETALLES ES-5100 (FIXED)



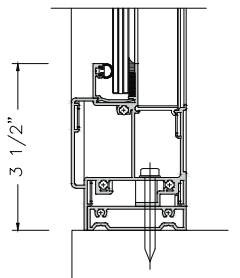
**2B** INSUL. LAM  
GLASS SILL



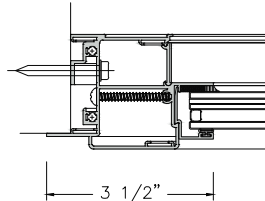
**3B** JAMB ADAPTOR



**5** MULLION



**2C** WINDOW SILL



**3C** JAMB

# ES-5000 ACCESORIES

For more information about the system accesories, consult the miscellaneous list.



Multipoint handle



Multipoint keeper

# GLASS

ES-5000:

- LAMINATED GLASS: 9mm (3/8") a 12mm (1/2")
- INSUL-LAM. GLASS: 20mm (3/4")

ES-5100:

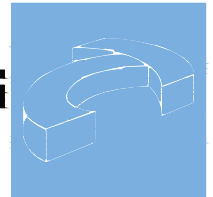
- LAMINATED GLASS: 9mm (3/8")
- INSUL-LAM. GLASS: 20mm (3/4")

FINISHES

- PAINT
- SERIGRAPHY
- DIGITAL PRINTING

For further information about glass conditions and finishes, consult TECNOGLASS ®

**TECNOGLASS**



# ALUMINUM

ALLOY 6063-T6  
ALLOY 6005-T5

For further information about aluminum finishes consult ALUTIONS ®.



# SILICONE

APPROVED SILICONE SEALS:

WEATHERPROOFING SILICONE:

Used to seal profile unions to avoid air and water infiltration.

- Dowcorning 791 (Black - White)

STRUCTURAL SILICONE:

This silicone is commonly used to support the glass in curtain walls.

- Dowcorning 983
- Dowcorning 995

# **ENERGÍA SOLAR** **ESWINDOWS**

**Av. Circunvalar a 100 mts de la Via 40 Las Flores**  
**Barranquilla, Colombia PBX: (57 5) 3664600**  
**serviCE@eSWLLC.com , PBX: (+1) 305 5074545**

**DRAWN BY MARTHA CASTILLA**