

INSTALLATION INSTRUCTIONS

---

# MX-3000



# INSTALLATION INSTRUCTIONS

TOOLS AND SUPPLIES REQUIRED FOR INSTALLATION.....Pag. 2

PARTS REQUIRED FOR INSTALLATION.....Pag. 3

## INSTALLATION

STEP 1  
INSPECTION AND VERIFICATION.....Pag. 4

STEP 2  
FRAME INSTALLATION.....Pag. 5-8

STEP 3  
LEAF INSTALLATION.....Pag. 9

STEP 4  
HANDLE INSTALLATION.....Pag. 10-11

STEP 5  
SIDELITE INSTALLATION.....Pag. 12

STEP 6  
PILE PADS INSTALLATION.....Pag. 13

STEP 7  
PERIMETER SEAL.....Pag. 14

## REVIEW

# HSEQ REGULATIONS

Read all instructions carefully before attempting this procedure. If you have any questions about your ability to complete this procedure, contact ESWINDOWS for further direction.

If swing stages are required for installation, the HSEQ inspector must approve the permissions.

- Wear the necessary personal protective equipment for product installation.
- Take safety precautions when performing the activity.
- Please follow the steps and make sure you have appropriate personal protective equipment and follow the rules established by the guidance for working at height, if required to do so.

## IMPORTANT:

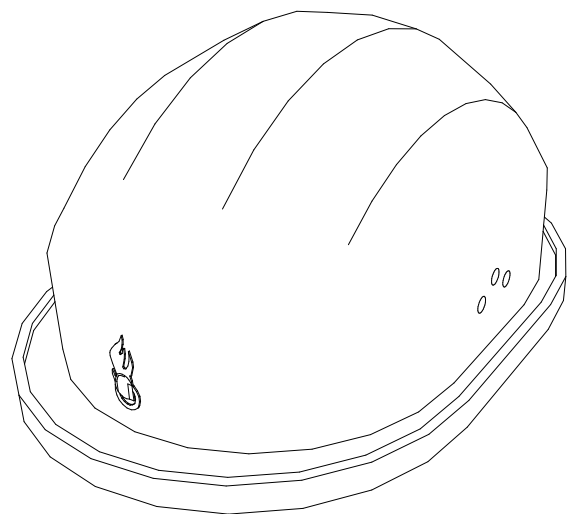
Contractors must have and execute an adequate QA/QC policy to guarantee the product installation is within industry standards and ESW guidelines. Once the product is received in acceptance by the contractor, any damage or installation problems are no longer responsibility of ESWINDOWS.

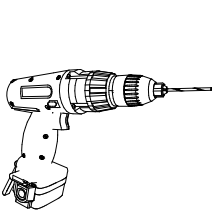
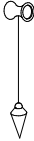
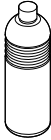
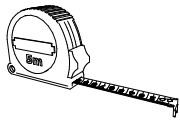

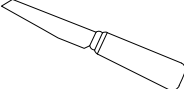
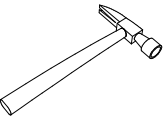
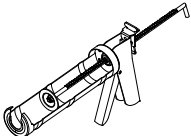
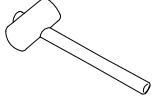
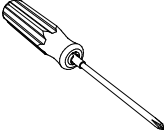
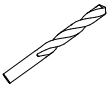
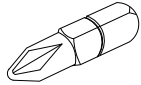
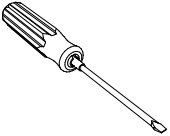
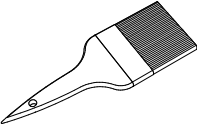
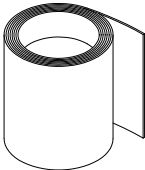
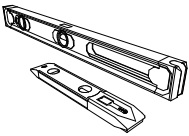
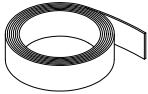
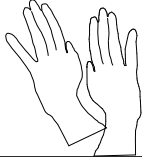
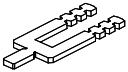
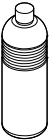

# INTRODUCTION

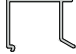

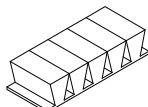
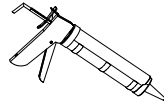
MX-3000, is a balcony door system.

This guide illustrates step by step the correct way to install the system.

Prior to installation process check that all parts and materials are in right conditions, verify that the quantities and descriptions match production planes.



TOOLS AND SUPPLIES FOR INSTALLATION					
Detail	Description	Detail	Description	Detail	Description
	Drill		Plumb		Thinner
	Meassure tape		Thread		Knife
	Hammer		Industrial Silicone gun		Mallet
	Phillips screwdriver		Bits for concrete		Point
	Slot screwdriver		Brush		Clean rag
	Level		Masking tape		Safety gloves
	Plastic shims		Isopropyl alcohol		Safety glasses

PARTS REQUIRED FOR INSTALLATION		
PART	DETAIL	DESCRIPTION
ES-3011		Head/Jamb trim
ES-3012		Sill cover
D5009AMK .500"X2.25"X.870"		Adhesive pile pad
D.S 791 or equal		Weatherproofing sealant

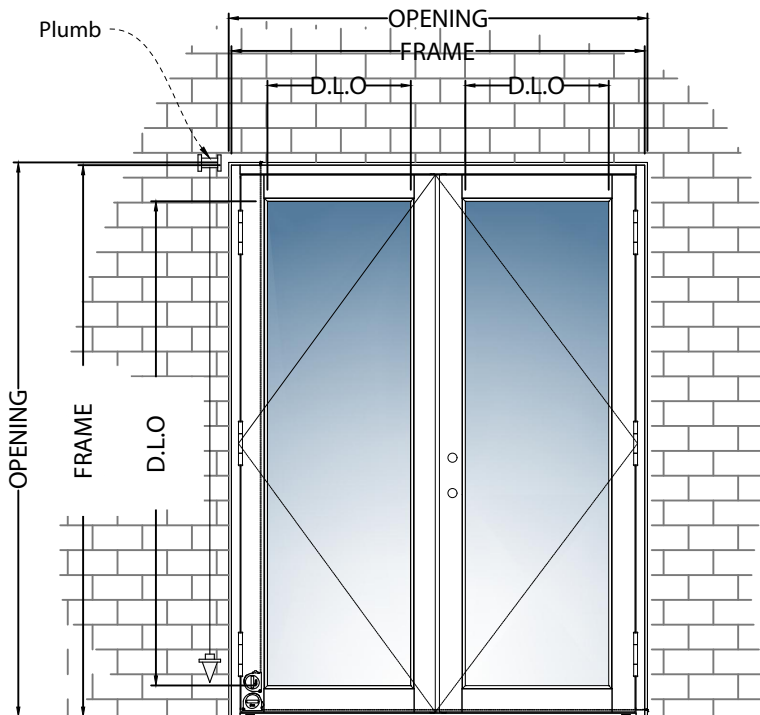
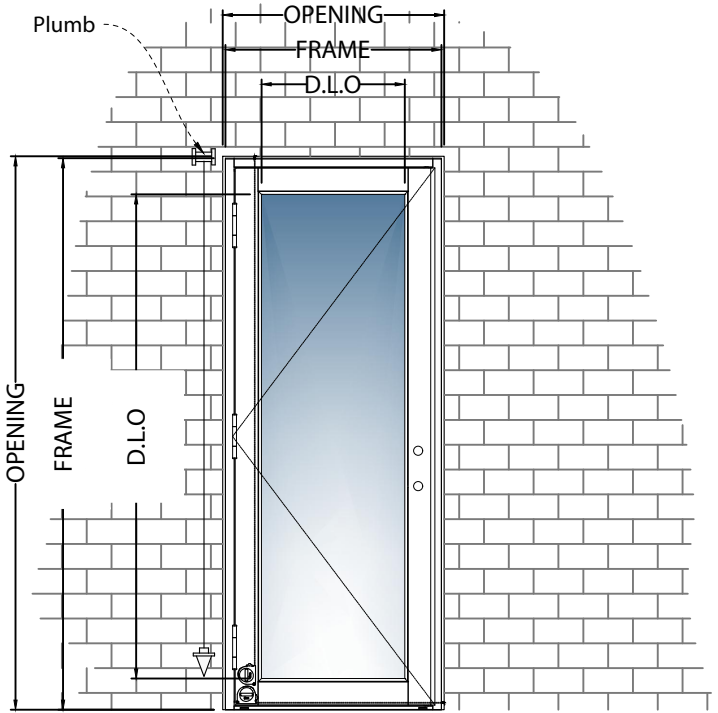


Check the technical manuals and guides by sealant manufacturers to apply silicone correctly.

# STEP 1

## INSPECTION AND VERIFICATION :

- 1.1. The rough opening should be checked for the correct size as determined by dimensions listed in the architectural specifications and the shop drawings.
- 1.2. Check all the material upon arrival for quantity and damage.

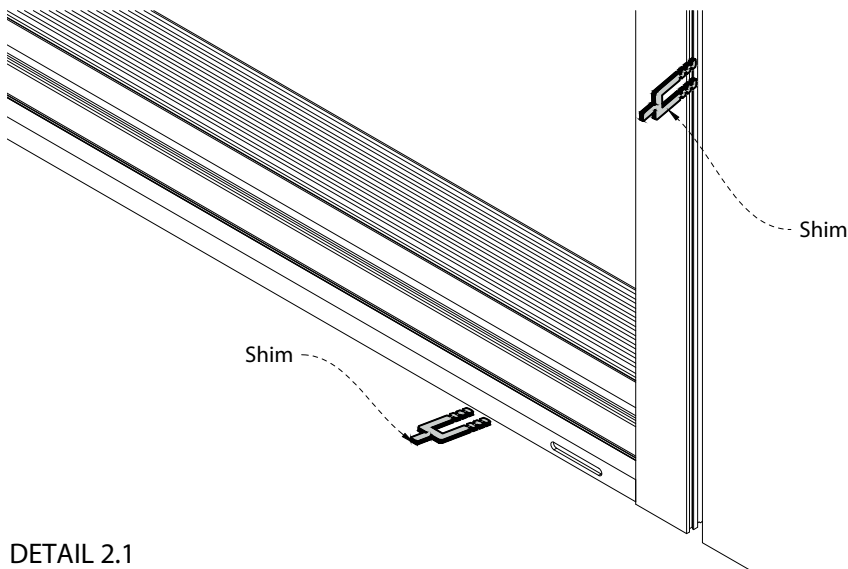
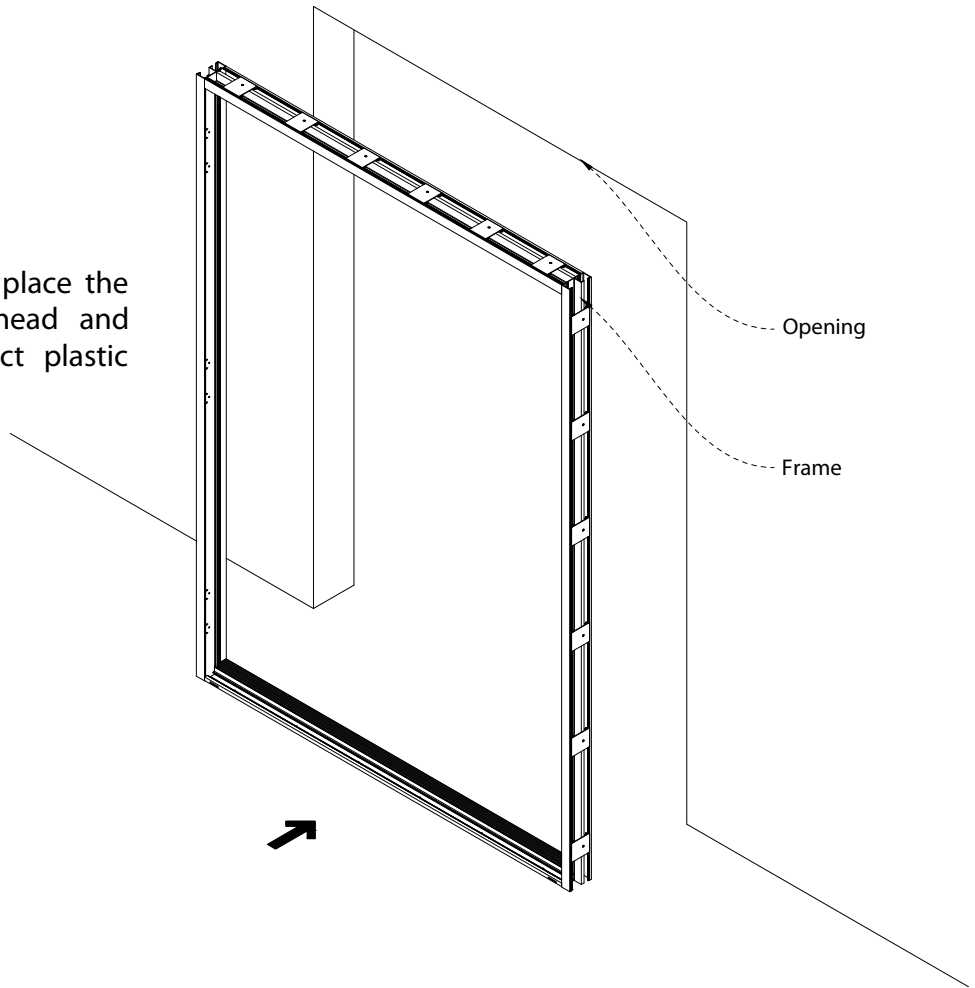


- 1.3. Remove all materials that interfere with the proper installation of the unit.
- 1.4. If you have any irregularities notify the general contractor.

## PASO 2

### FRAME INSTALLATION:

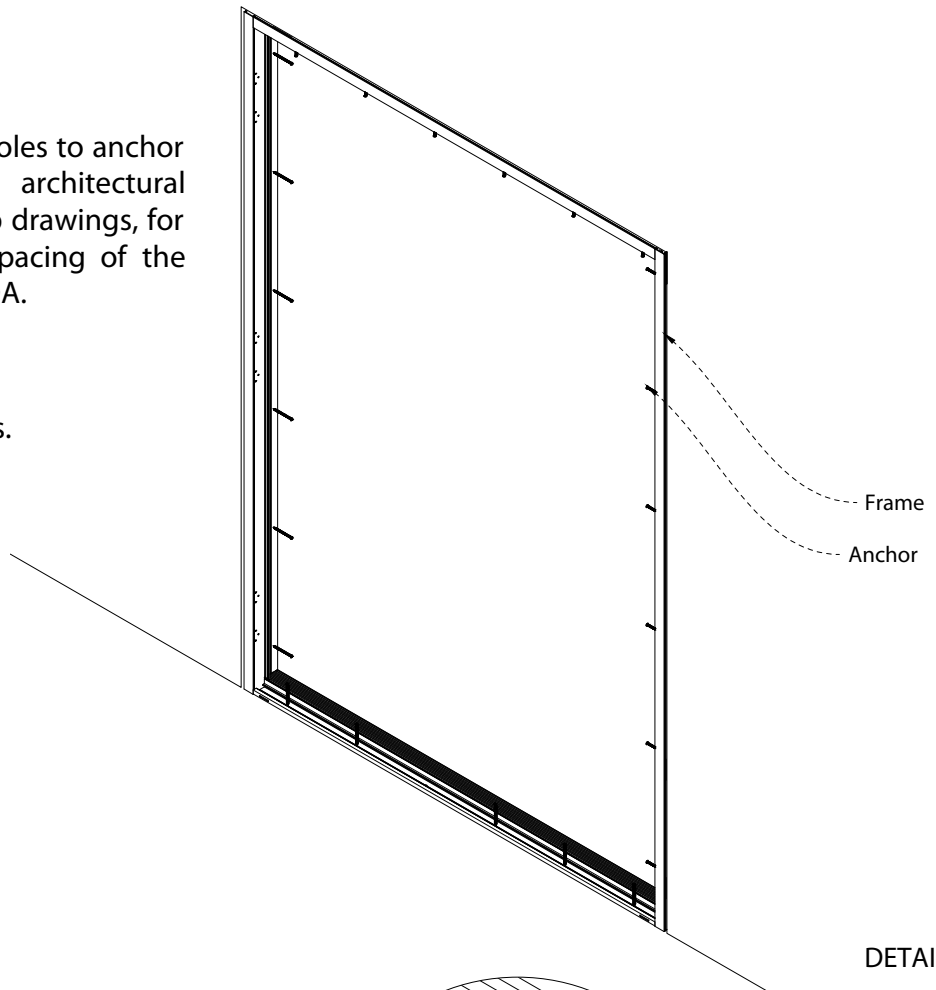
- 2.1. Clean the opening and place the frame. Level the sill, head and jambs using high-impact plastic shims.
- 2.2. Verify frame squareness.



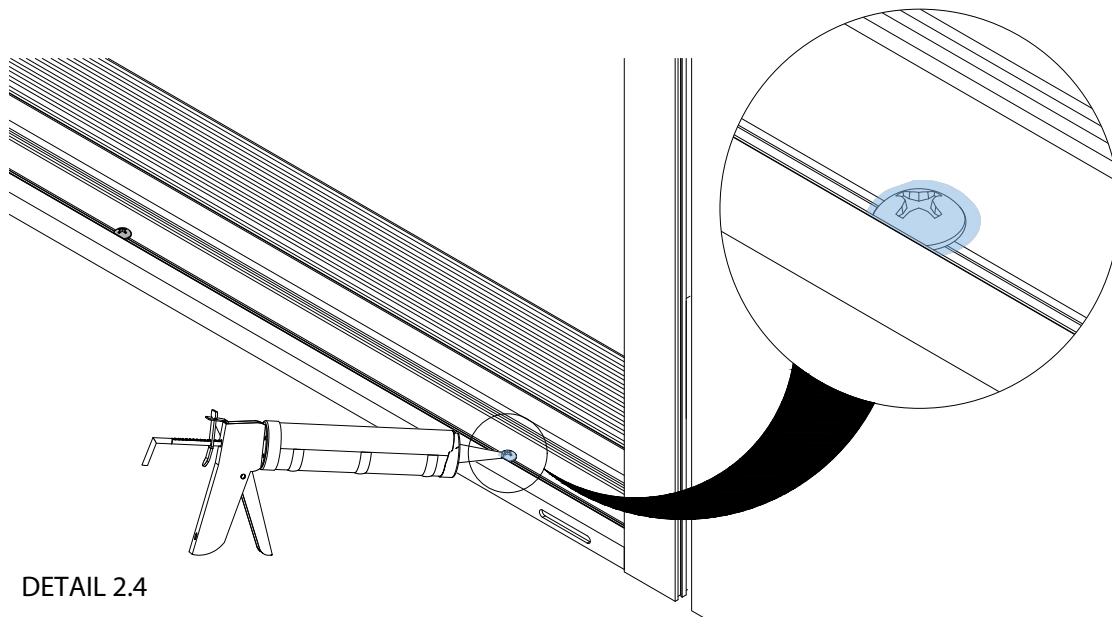
DETAIL 2.1

2.3. Attach the frame using holes to anchor at opening. See the architectural specifications in the shop drawings, for information about the spacing of the anchors or the system NOA.

2.4. Seal anchor screw heads.



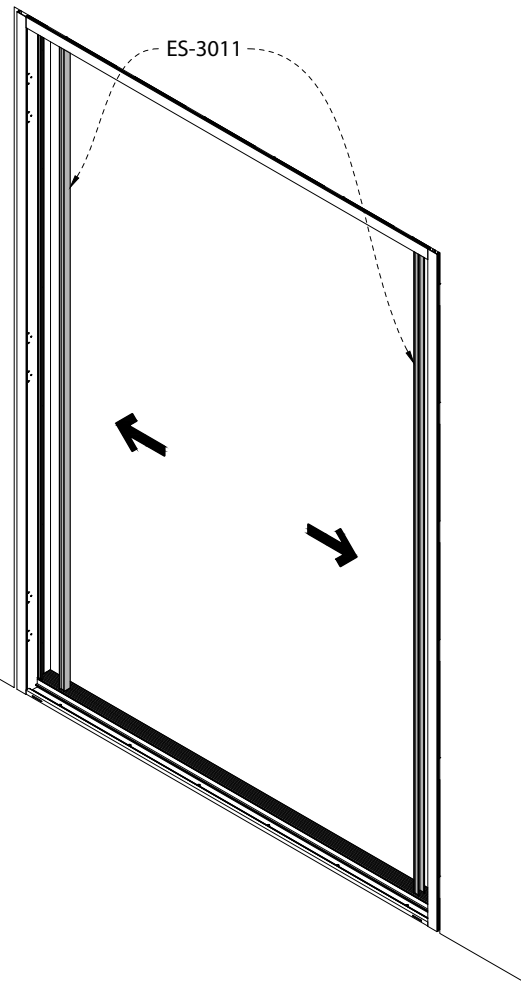
DETAIL 2.3



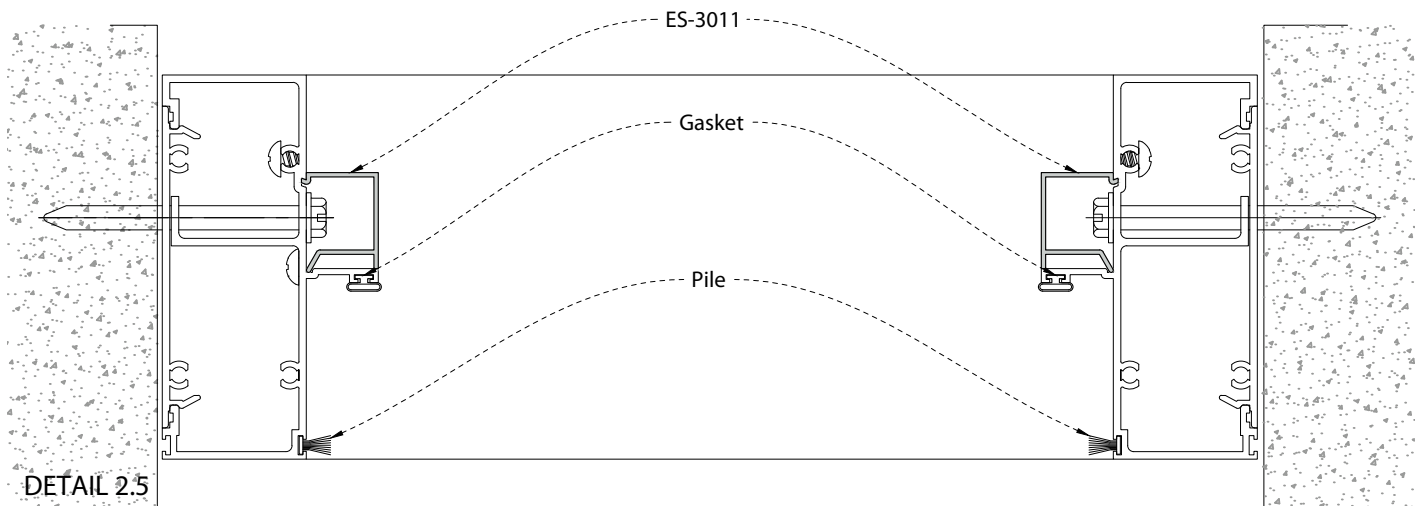
DETAIL 2.4



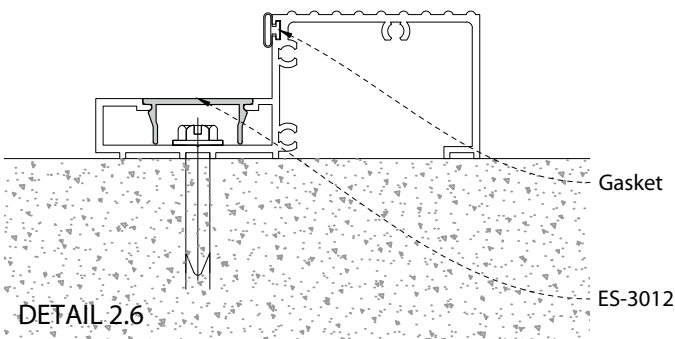
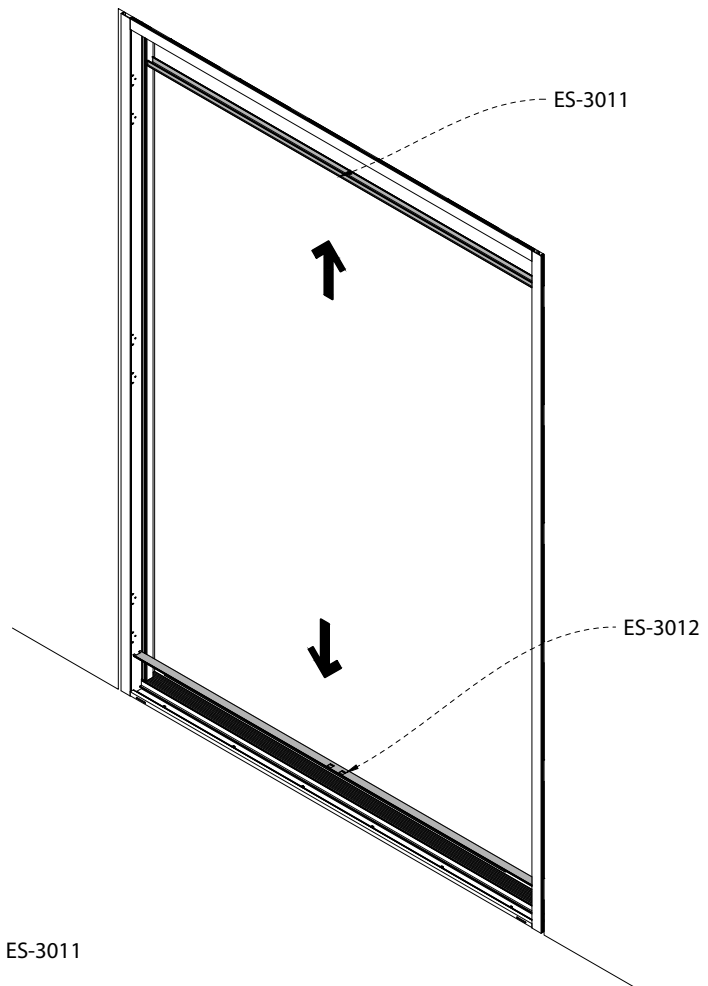
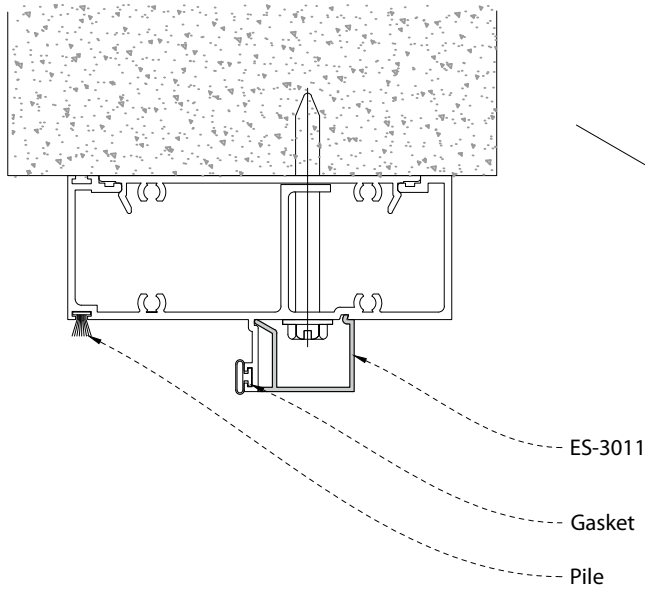
2.5. Place the Jamb Trim (ES-3011) cover the anchors in the jambs as shown in detail.



Make sure gaskets are placed properly before install trims.



2.6. Place the Head Trim (ES-3011) in the Head, and the Sill Cover (ES-3012) on the sill, to cover the anchor screws.

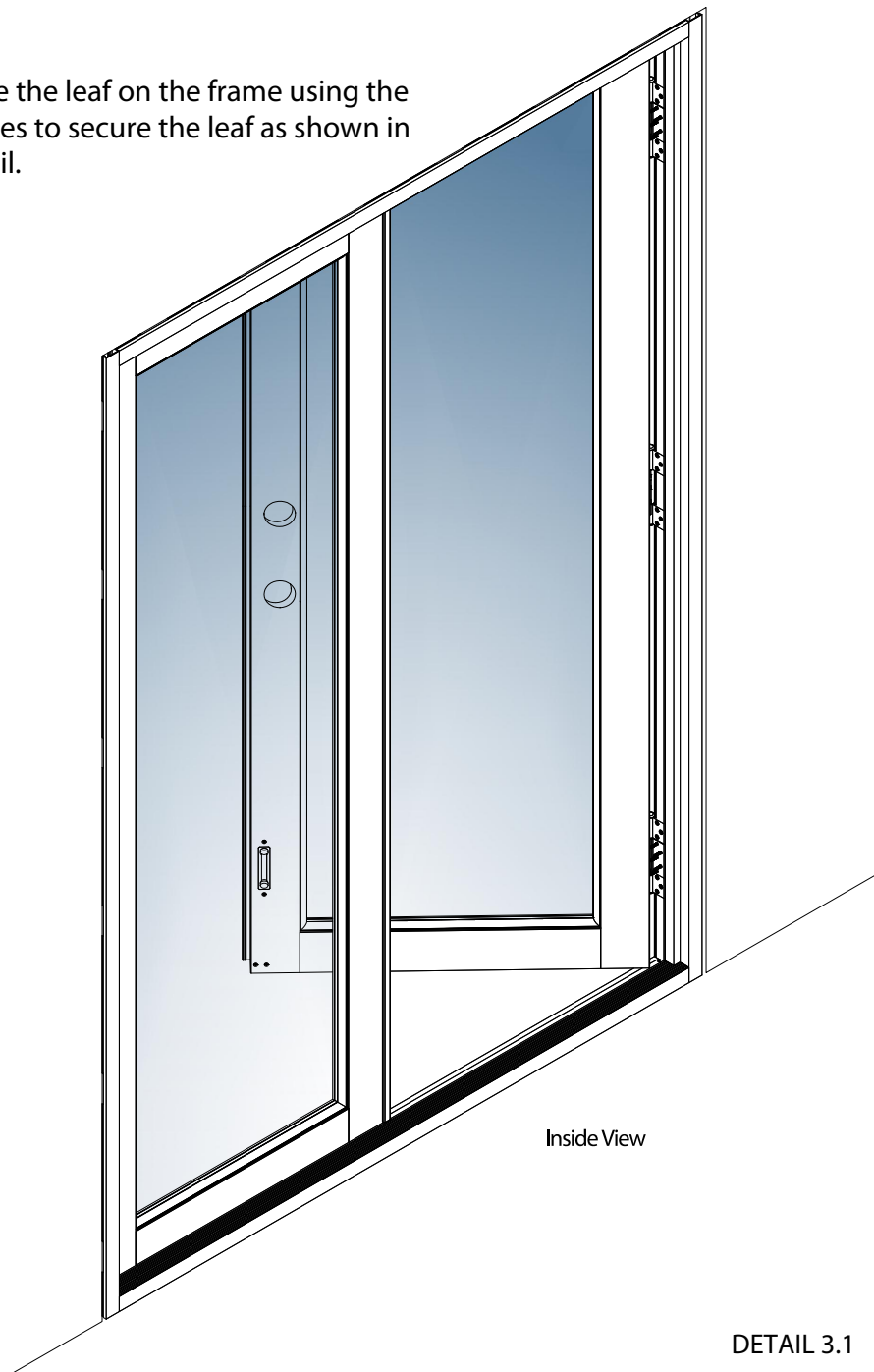


Verify gaskets and piles location at system details.

## STEP 3

### LEAF INSTALLATION:

- 3.1. Place the leaf on the frame using the hinges to secure the leaf as shown in detail.

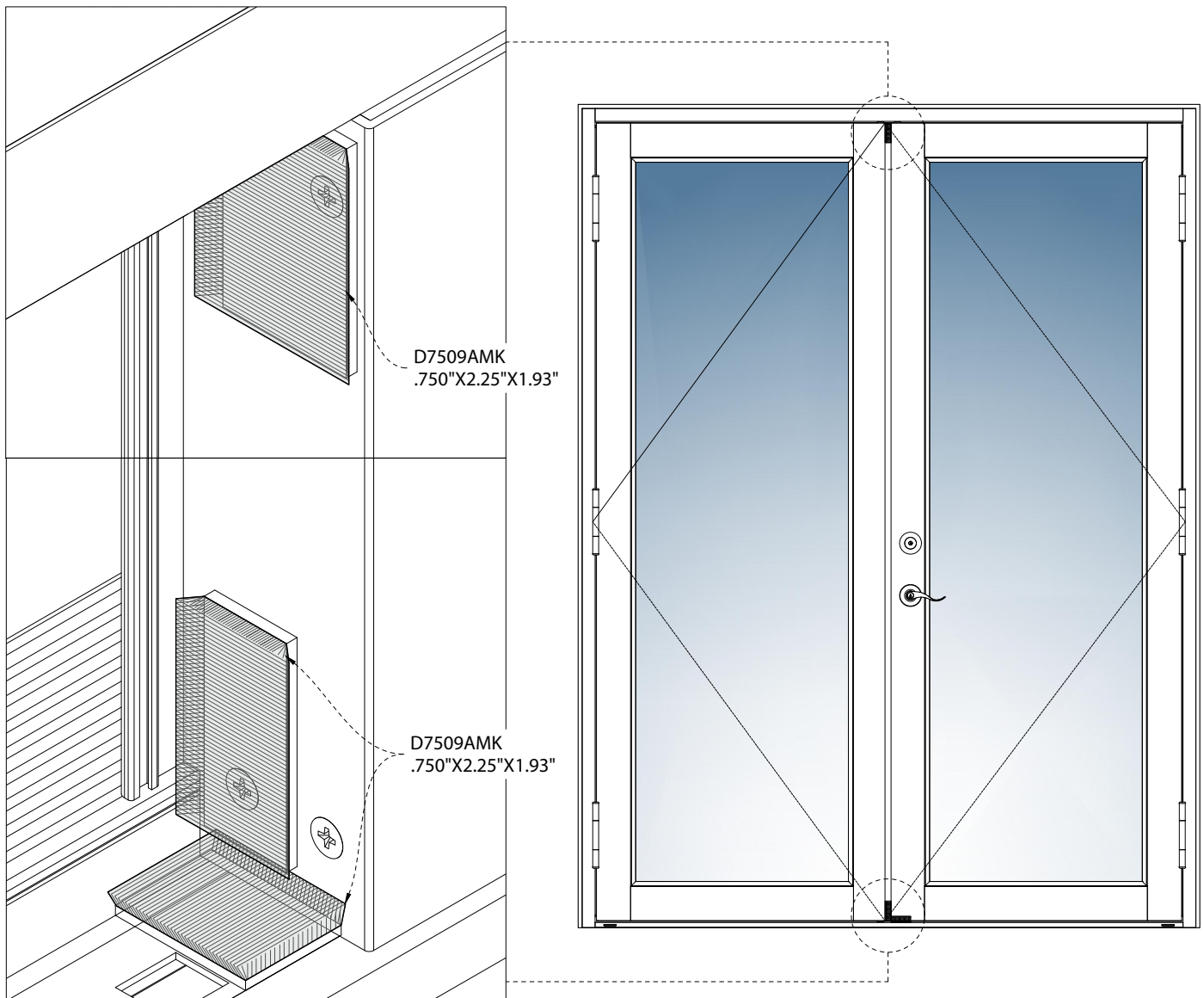


Verify hinges reference  
and quantity at system  
details

# STEP 4

## PILE PADS INSTALLATION:

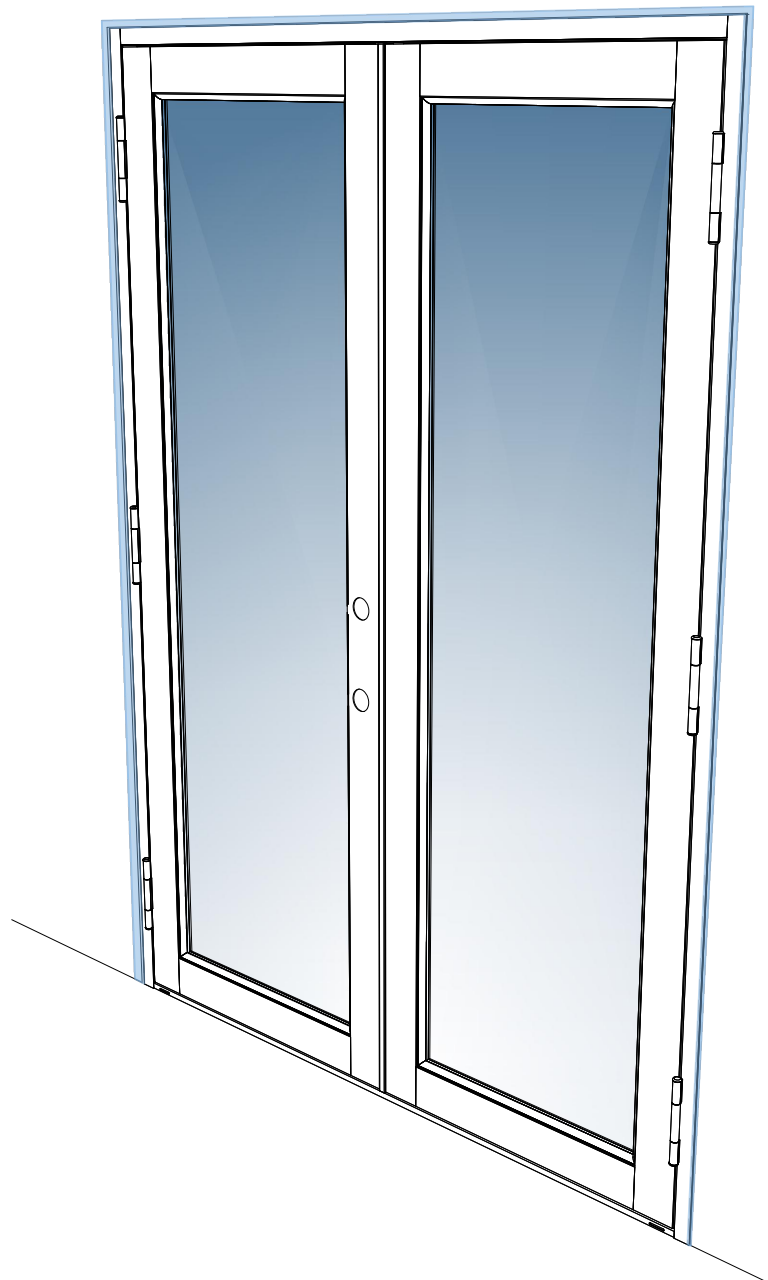
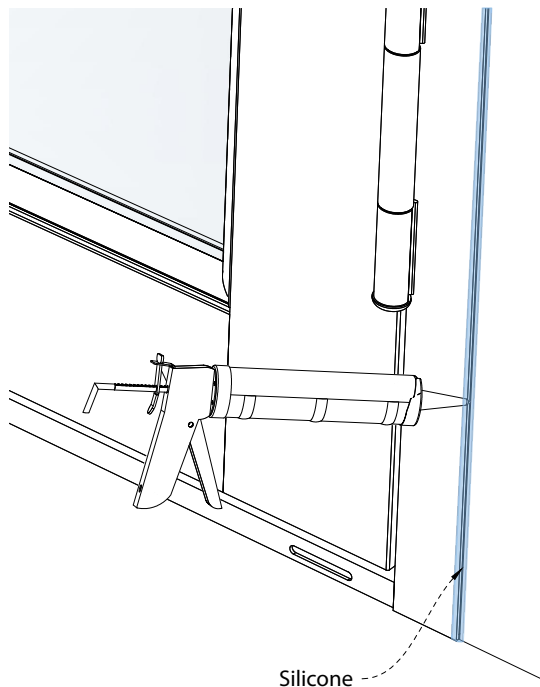
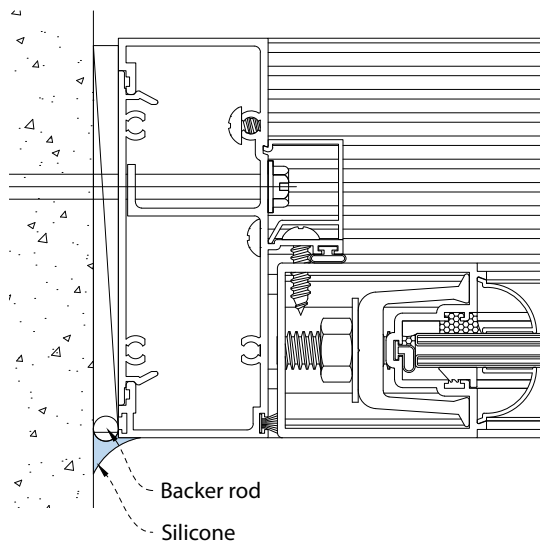
4.1. Install pile pads at top and bottom of the keeper stile and onto sill as shown in detail below.



## STEP 5

### PERIMETER SEAL:

- 5.1. Insert required backer rod and apply sealant along frame perimeter as shown in detail.



# INSTALLATION INSTRUCTIONS

REVIEW No.	DATE	DESCRIPTION	PAGE	BY.
				
				
				
				
				
				
				
				
				

Av. Circunvalar a 100 mts de la Via 40 Las Flores  
Barranquilla, Colombia PBX: (57 5) 3664600  
service@eswllc.com, PBX: (+1) 305 5074545

BY Isabel Pinzón.