

INSTALLATION INSTRUCTIONS (NOT PROJECT SPECIFIC)

ES-9000 & ES-9000 INSWING



HSEQ REGULATIONS

Read all instructions carefully before attempting this procedure. If you have any questions about your ability to complete this procedure, contact ESWINDOWS for further direction.

If swing stages are required for installation, the HSEQ inspector must approve the permissions.

- Wear the necessary personal protective equipment for product installation.
- Take safety precautions when performing the activity.
- Please follow the steps and make sure you have appropriate personal protective equipment and follow the rules established by the guidance for working at height, if required to do so.

IMPORTANT:

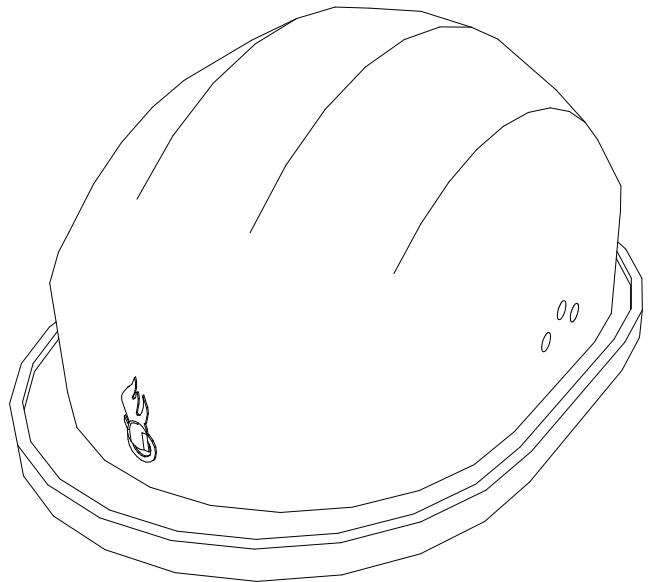
Contractors must have and execute an adequate QA/QC policy to guarantee the product installation is within industry standards and ESW guidelines. Once the product is received in acceptance by the contractor, any damage or installation problems are no longer responsibility of ESWINDOWS.

INTRODUCTION

ES-9000 and ES-9000 INSWING are impact door systems.

This guide illustrates step by step how to install the systems properly.

Prior to installation process check that all parts and materials are in right conditions, verify that the quantities and descriptions match production drawings.



INSTALLATION INSTRUCTIONS

TOOLS AND SUPPLIES REQUIRED FOR INSTALLATION.....Page. 2

PARTS REQUIRED FOR INSTALLATION.....Page. 3

INSTALLATION

 STEP 1
 INSPECTION AND VERIFICATION.....Page. 4

 STEP 2
 CHECK MATERIALS.....Page. 5-6

 STEP 3
 INSTALL DOOR.....Page. 7-19

 STEP 4
 INSTALL DOOR(XX CONFIGURATION).....Page. 20

 STEP 5
 ELECTRIC PANIC DEVICE INSTALLATION (ONLY IF REQUIRED).....Page. 21

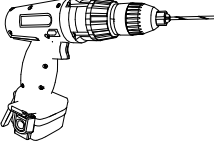

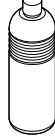
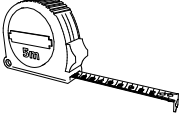

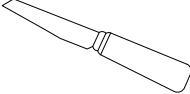
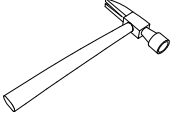
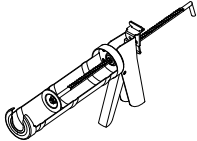
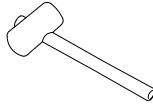
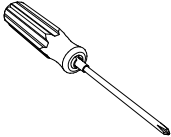

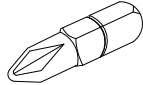
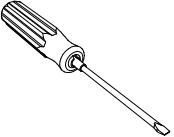
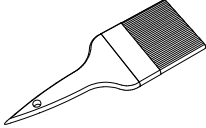
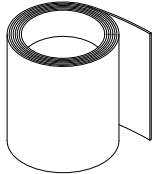
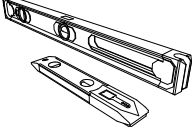
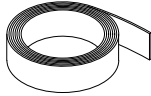
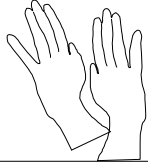
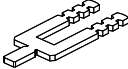
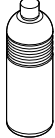
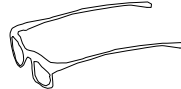
 STEP 6A
 INSTALL PULL-PUSH.....Page. 22-23


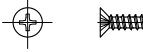
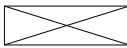
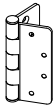



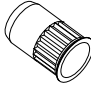

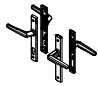

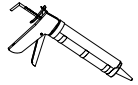
 STEP 6B
 INSTALL THREE POINT LOCK HANDLE.....Page. 24-26

 STEP 7
 PERIMETER SEAL.....Page. 27

REVIEW

TOOLS AND SUPPLIES FOR INSTALLATION

Detail	Description	Detail	Description	Detail	Description
	Drill		Plumb		Thinner
	Measure tape		Thread		Knife
	Hammer		Industrial Silicone gun		Mallet
	Phillips screwdriver		Bits for concrete		Point
	Slot screwdriver		Brush		Clean rag
	Level		Masking tape		Safety gloves
	Plastic shims		Isopropyl alcohol		Safety glasses

PARTS REQUIRED OF INSTALLATION		
PART#	DETAIL	DESCRIPTION
#12-24 x 1/2" F.H. M.S.ST/ST		FOR HINGE & THRESHOLD CLIP.
#8-32 x 1/2" F.H. M.S.ST/ST		FOR SUPPORT ANGLE & LOCK BACKUP PLATE
ES-9000-B02		SETTING BLOCK. FOR INS. GLASS
HINGE 4" x 4 1/2"		BUTT HINGES
BF157A47		PUSH
		PULL
- ADAMS RITE G86 - DOOR-O-MATIC-1490		PANIC DEVICE
AEKA-420-165		1/4 -20 NUT FOR INSERT IN PUSH BAR
DL01-6100-FINISH		ACTIVE HANDLE
DL01-6120-FINISH		INACTIVE HANDLE
LADDER PULL		PULL / PUSH
D.S 791 OR EQUAL		WEATHERPROOFING SILICONE

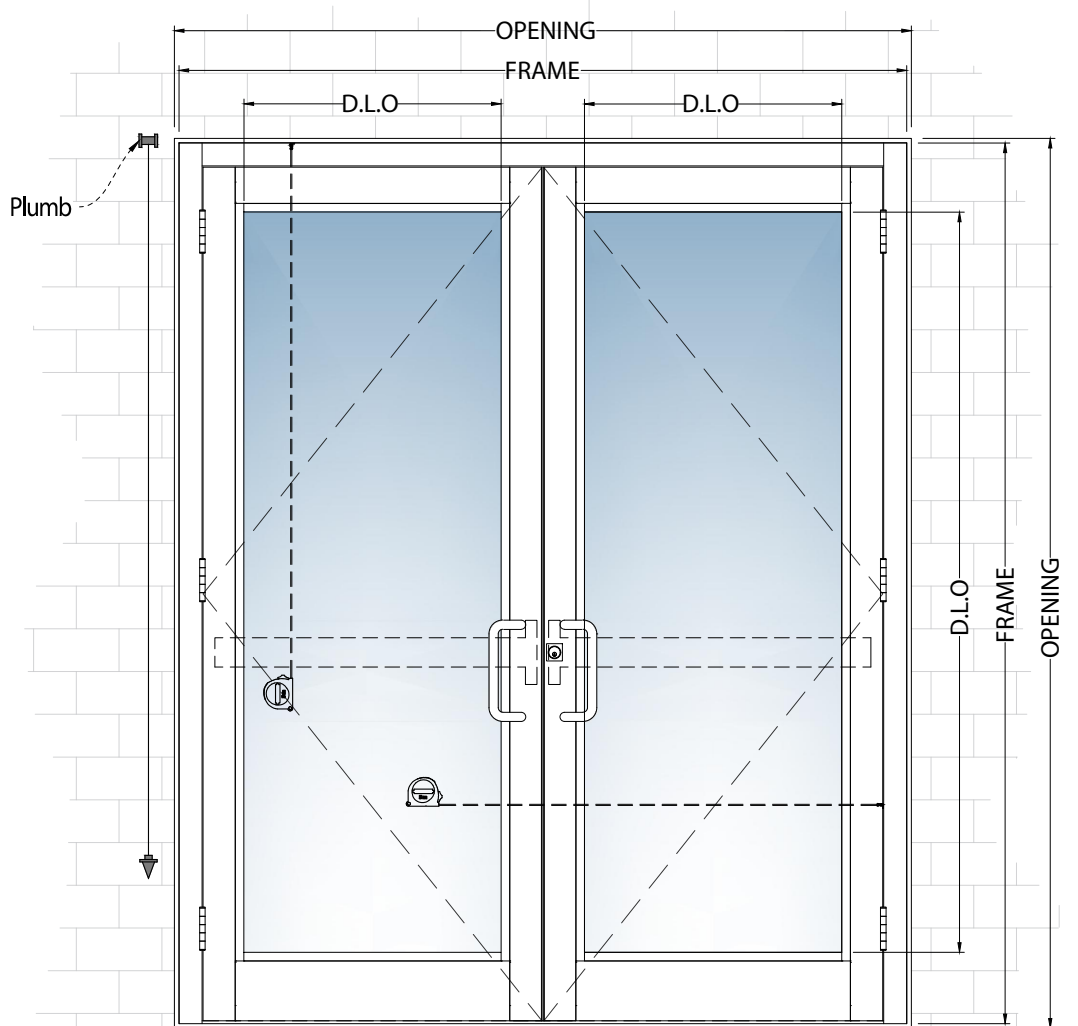


Check the technical manuals and guides by sealant manufacturers to apply silicone correctly.

STEP 1

INSPECTION AND VERIFICATION:

- 1.1. The rough opening should be checked for the correct size as determined by dimensions listed in the architectural specifications and shop drawings.
- 1.2. Check all the material upon arrival for quantity and damages.
- 1.3. Remove all materials that interfere with the proper installation of the unit.
- 1.4. If any irregularities are detected notify the general contractor.



STEP 2

CHECK INSTALLATION MATERIALS AND PRE-ASSEMBLED DOOR:

ES-9000 door will be sent ready to install; no need to install door leaf. No further fabrications will be needed at jobsite. Anchor holes on system can be used as reference for wall & slab perforations.

Single French & Single French plus Transom

- Check door dimensions
- Check for squareness
- Check anchor holes as per N.O.A. detail sheet 1 of 10.

Double French & Double French plus Transom

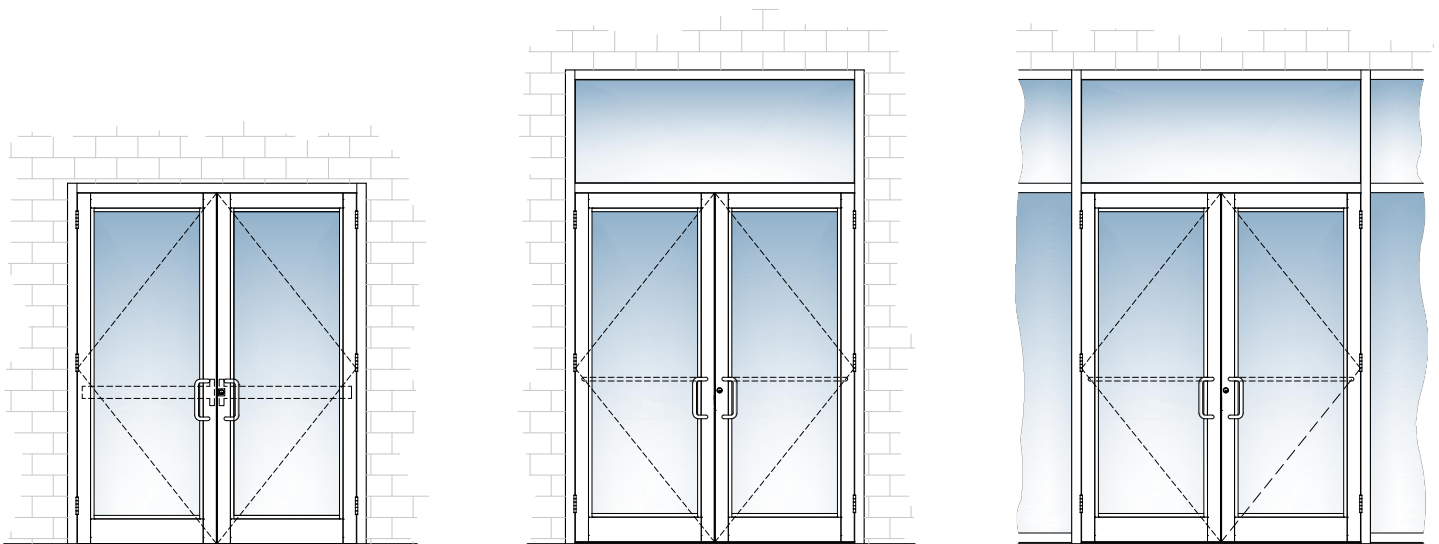
- Check door dimensions
- Check for squareness
- Check anchor holes as per N.O.A. detail sheets 2 thru 3 of 10.

Single/ Double French & Single/ Double French plus Transom for ES-9500 Storefront

- Check door dimensions
- Check for squareness
- Check anchor holes as per ES-9500 N.O.A. detail sheets 5 thru 7 of 10. No vertical anchors allowed.

Single/ Double French & Single/ Double French plus Transom for ES-8000 Storefront

- Check door dimensions
- Check for squareness
- Check anchor holes as per ES-8000 N.O.A. detail sheets 5 thru 7 of 10. No vertical anchors allowed.



INSTALLATION INSTRUCTIONS

ES-9000
IMPACT DOOR
VERSION. 10
I-DD-12

ES-9000 INSWING door will be sent ready to install; no need to install door leaf. No further fabrications will be needed at jobsite. Anchor holes on system can be used as reference for wall & slab perforations.

- Check door dimensions
- Check for squareness
- Check anchor holes as per shop drawings.



STEP 3

INSTALL DOOR:

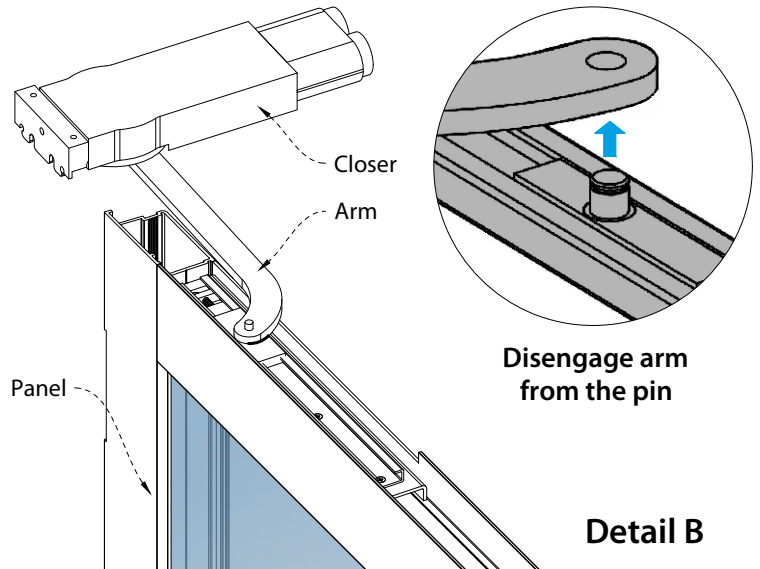
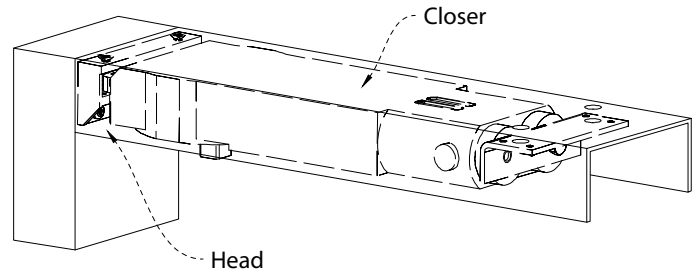
WITH HIDRAULIC ARM OPTION (CLOSER):

3.1. To install door with closer, the accessory must be uninstalled previously as indicated below:

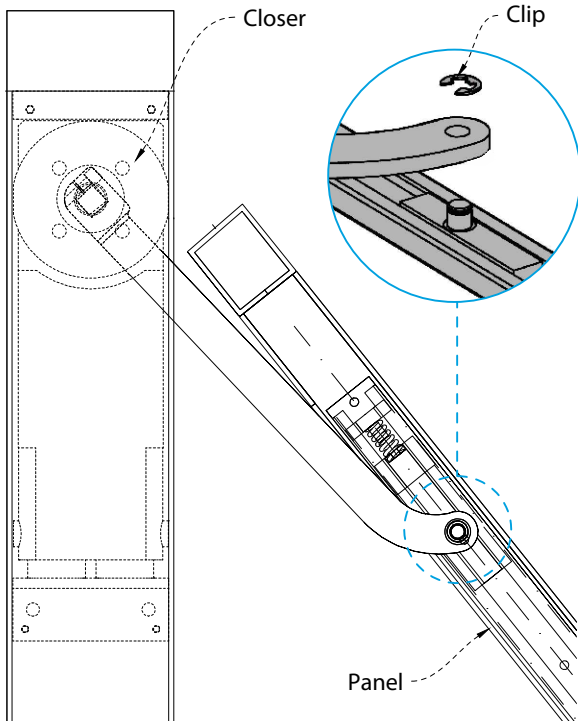
- A. Open door and remove clip. (Detail A)
- B. Remove arm. (Detail B)

After frame installation, reinstall closer:

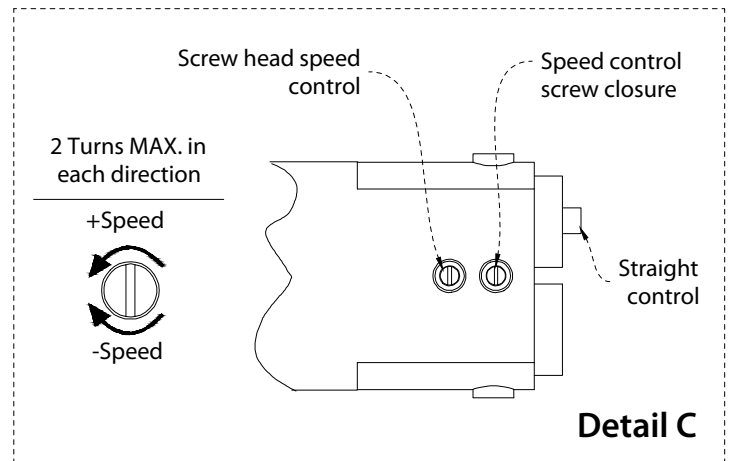
C. Open door to 45°, place arm and attach it to the pin. Place clip to secure the union. (Detail A). It is recommended to make several opening and closing cycles, in order to find the desired speed and straight by adjusting control screws. (Detail C).



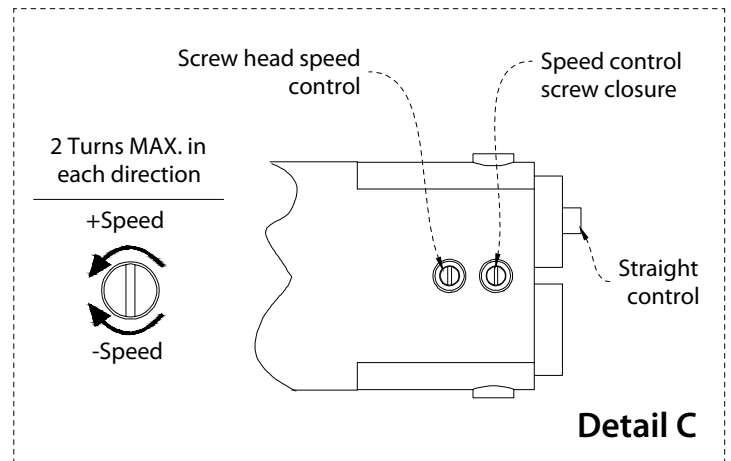
Detail A



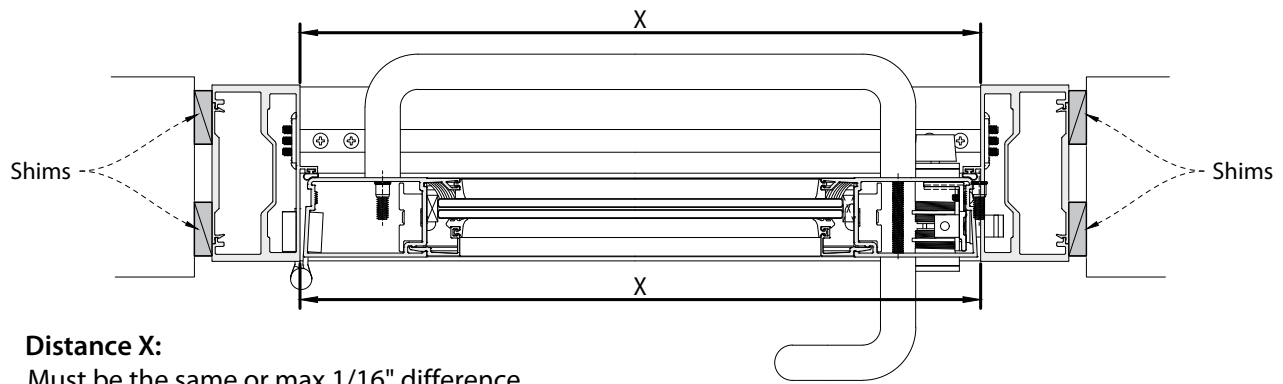
Detail B



Detail C

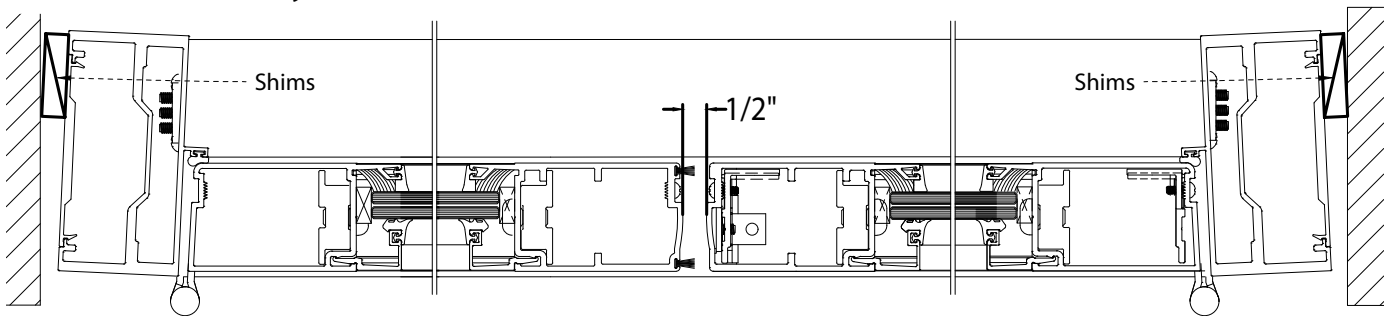


- 3.2. Place the door in the opening, insert plastic shims to level the frame (make sure to place shims in both the internal and external sides of the door), measure the distance between jambs both inside and outside: this should be the same or vary by 1/16" maximum, as shown in detail below.

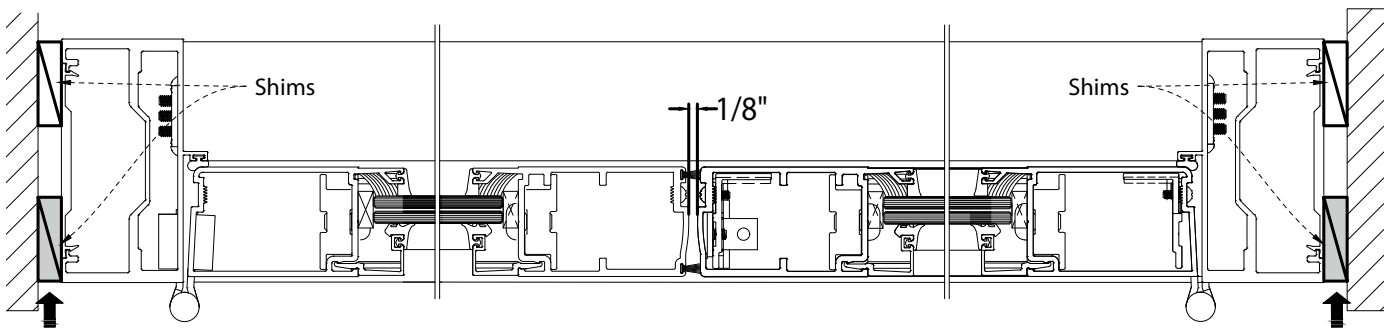


! When the shims are placed only on the inner side, the jambs can twist, creating a gap between the door leaves. Installing shims on the outer side prevents this issue from happening.

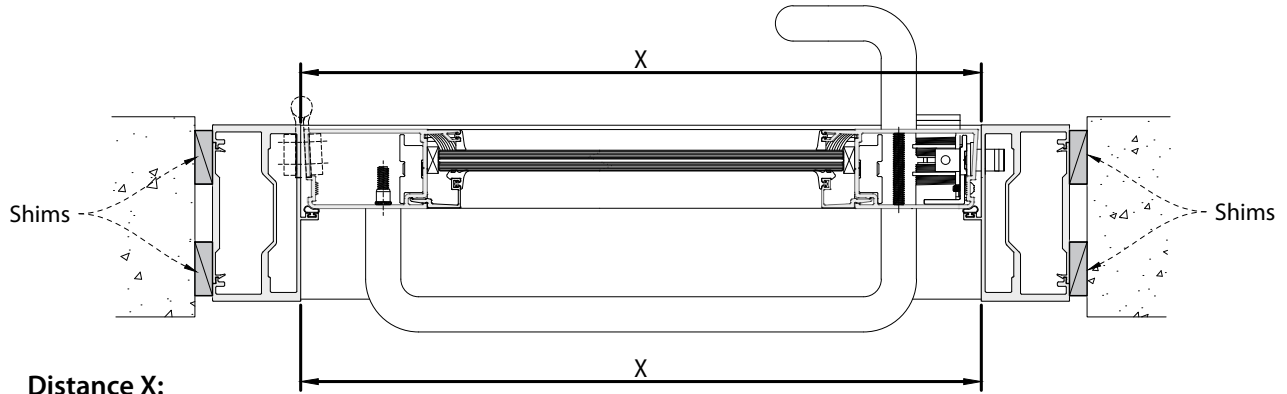
Detail A: shims only on the inside



Detail B: shims on the inside and outside



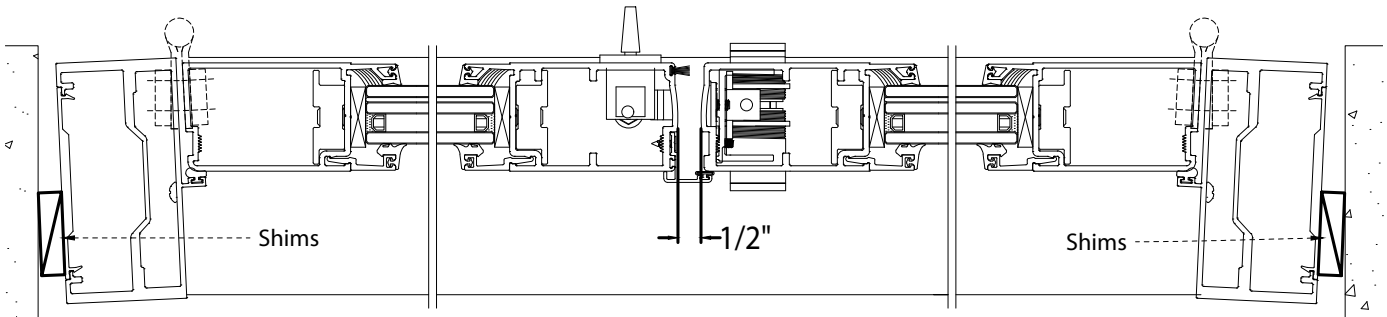
ES-9000 INSWING DETAILS:



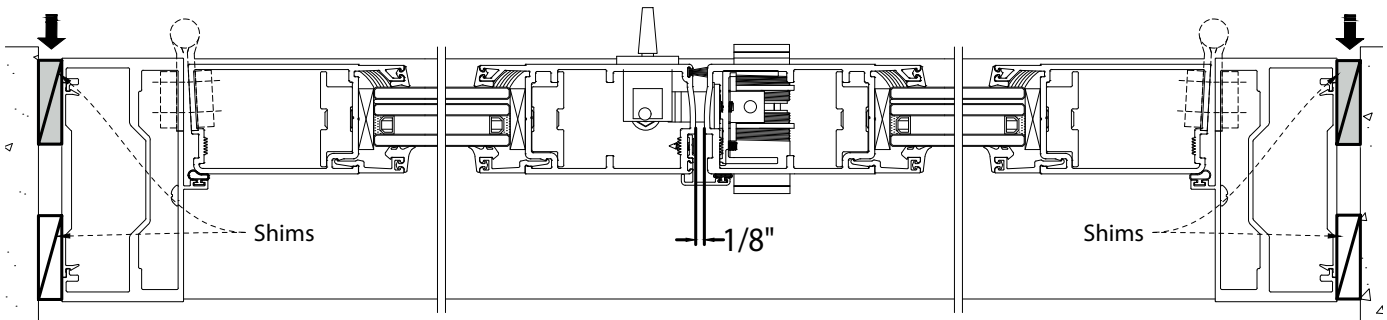
Distance X:
 Must be the same or max 1/16" difference.

! When the shims are placed only on the outer side, the jambs can twist, creating a gap between the door leaves. Installing shims on the inner side prevents this issue from happening.

Detail A: shims only on the outside



Detail B: shims on the inside and outside

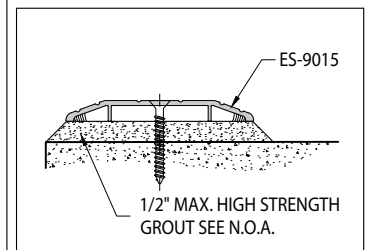
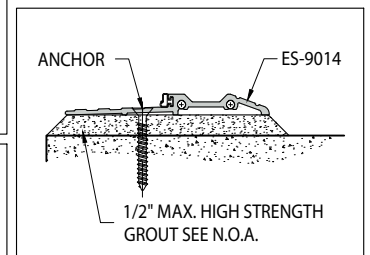
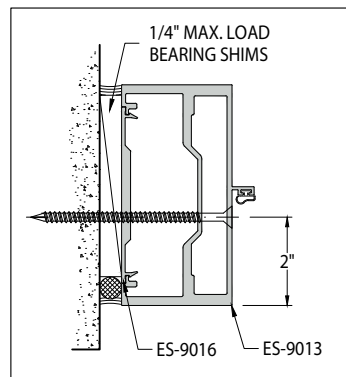
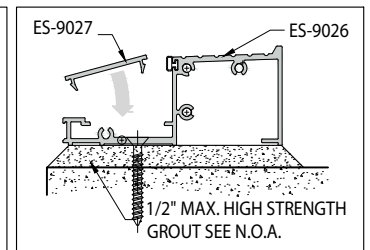
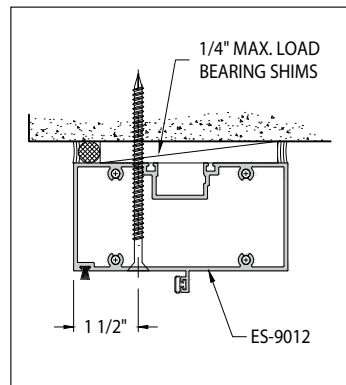
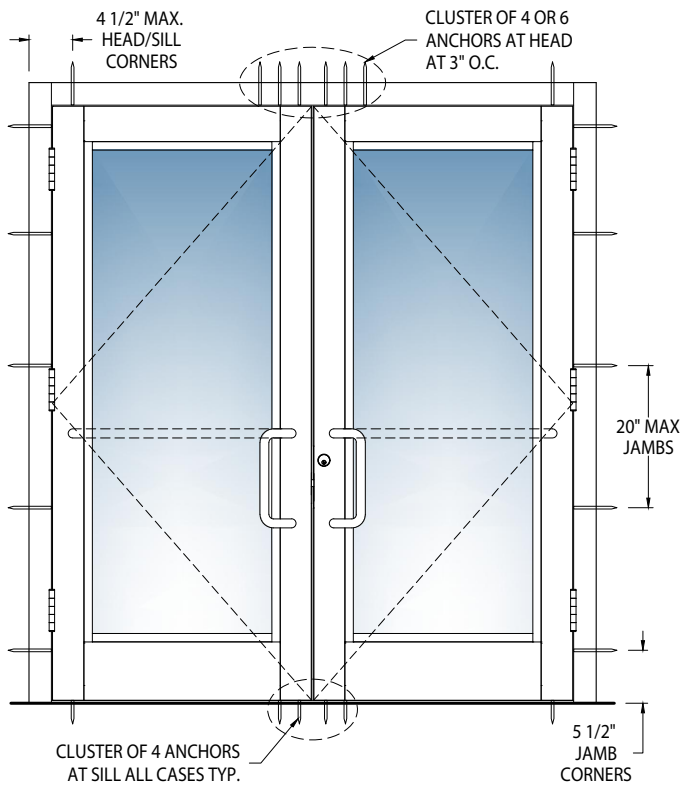
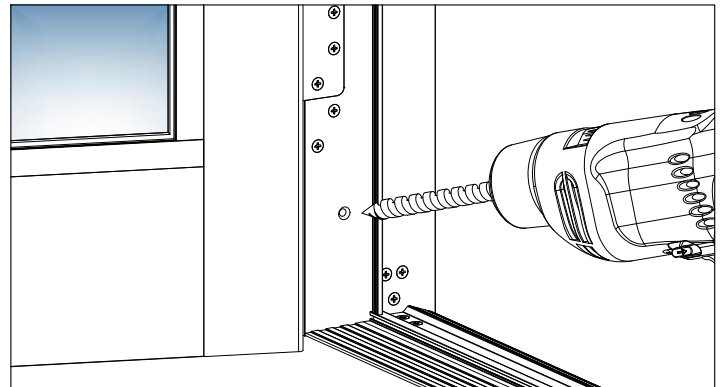
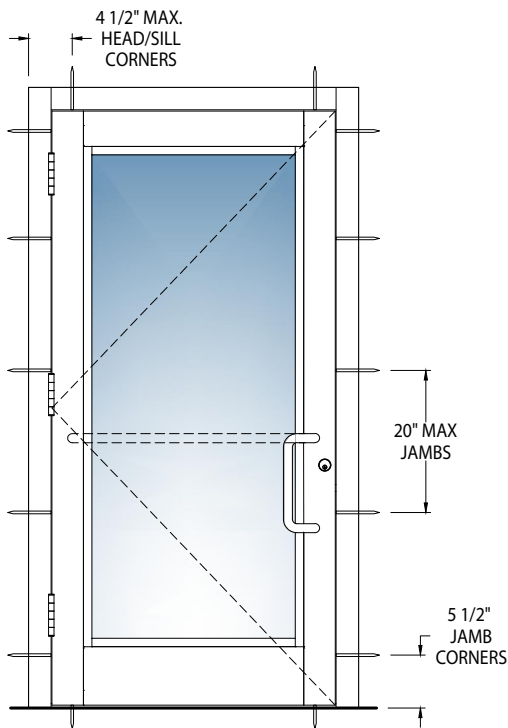


STEP 3A

ES-9000

INSTALL DOOR (WITHOUT TRANSOM):

- 3.1. Place door at opening and level it properly using shims.
- 3.2. Anchor door to opening and install the frame covers. Before installing the ES-9027 threshold cover, watch for the cover's orientation, as the fabrications' placement affects the system operation. Review the placement details on page 16-onwards.

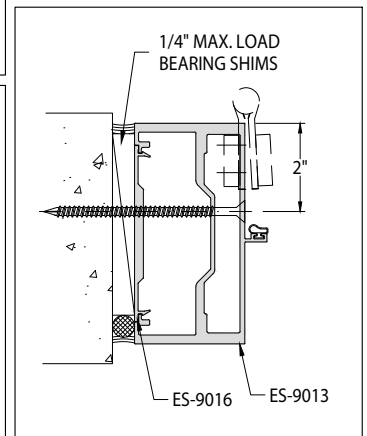
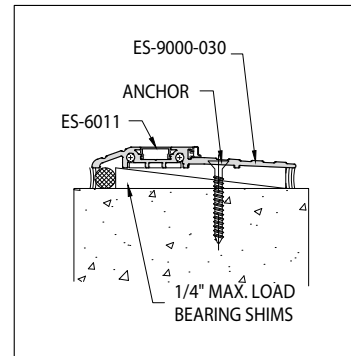
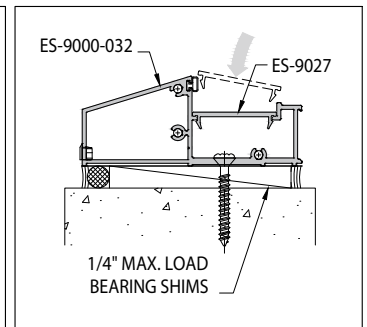
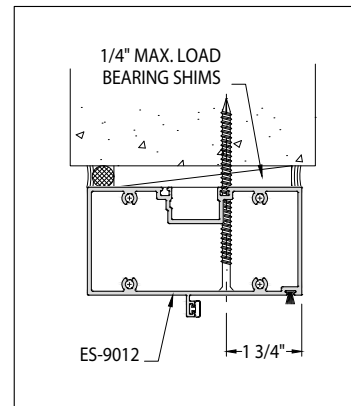
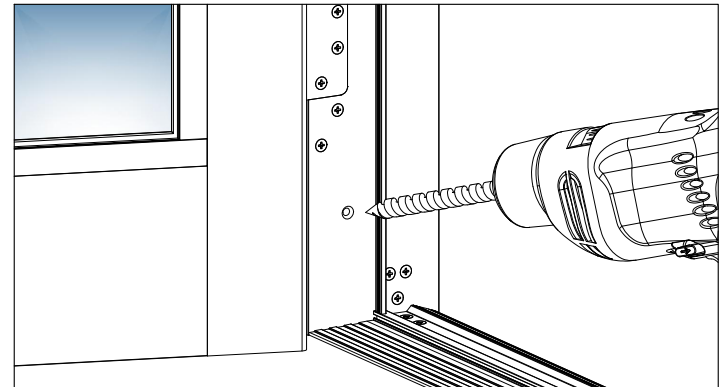
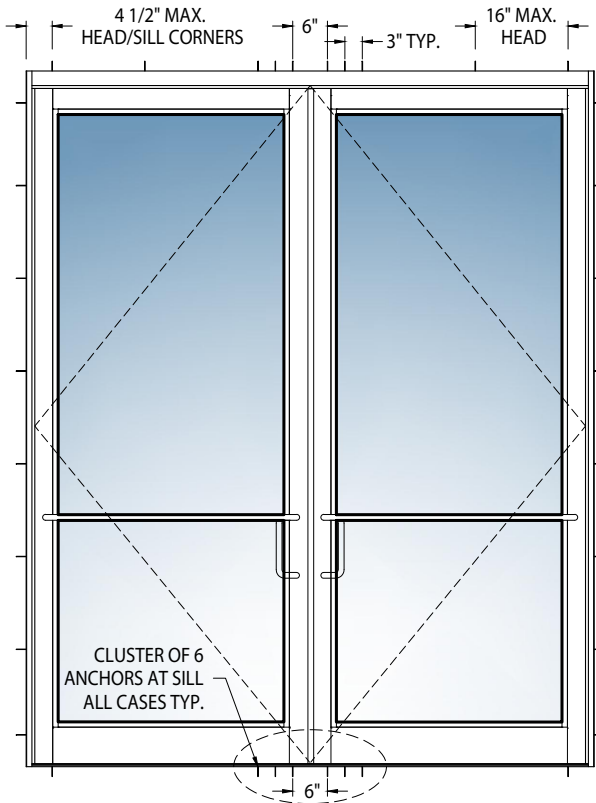
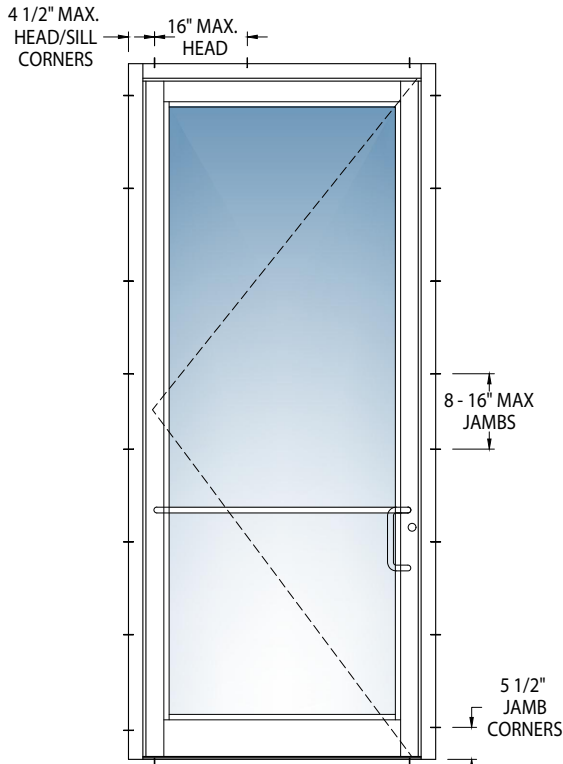


STEP 3B

ES-9000 INSWING

INSTALL DOOR (WITHOUT TRANSOM):

- 3.1. Place door at opening and level it properly using shims.
- 3.2. Anchor door to opening and install the frame covers. Before installing the ES-9027 threshold cover, watch for the cover's orientation, as the fabrications' placement affects the system operation. Review the placement details on page 16-onwards.

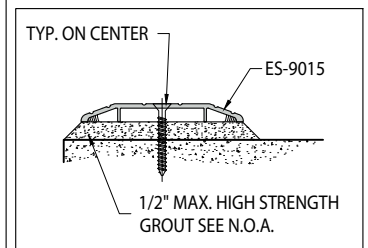
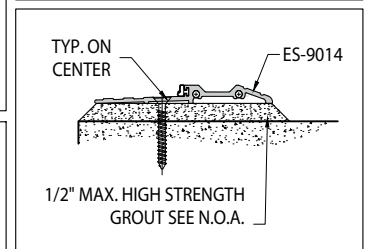
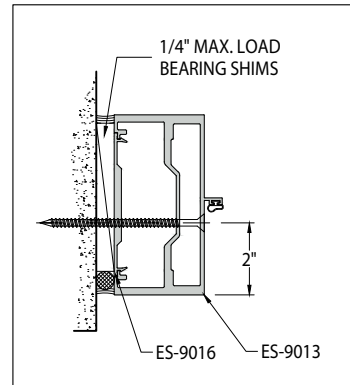
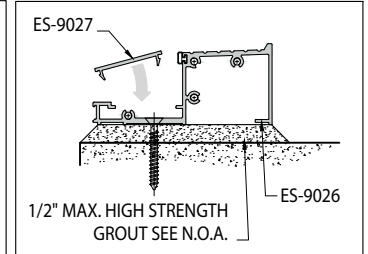
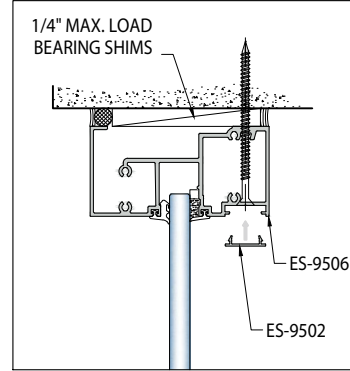
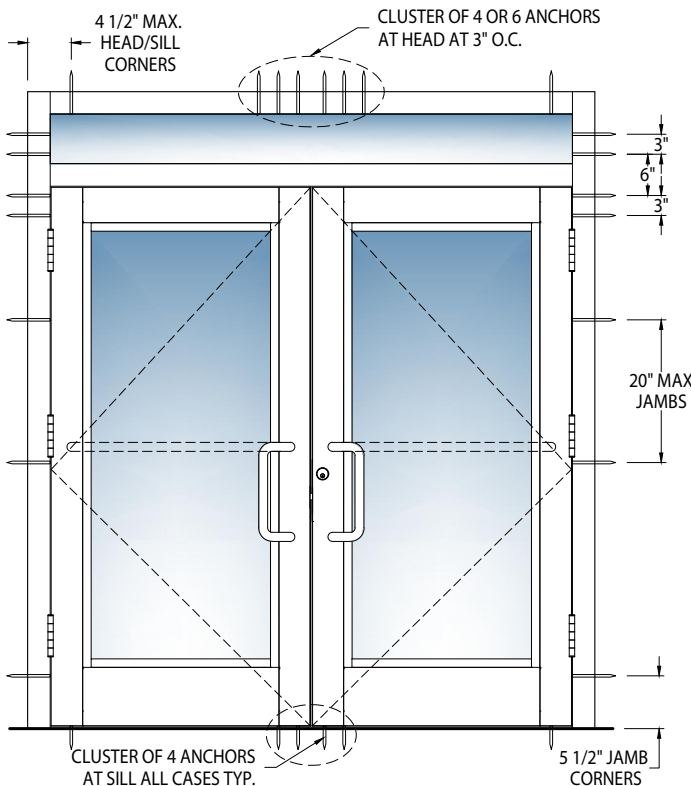
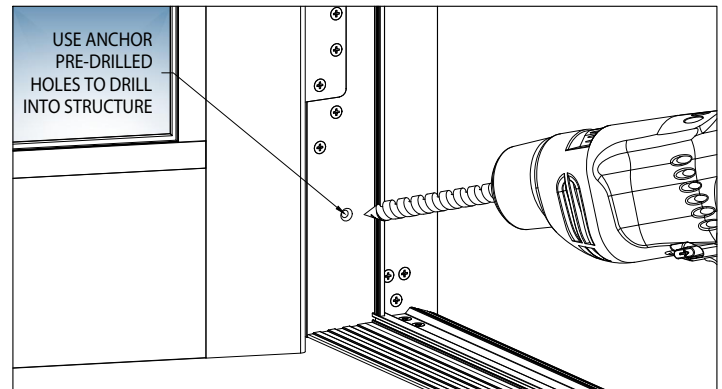
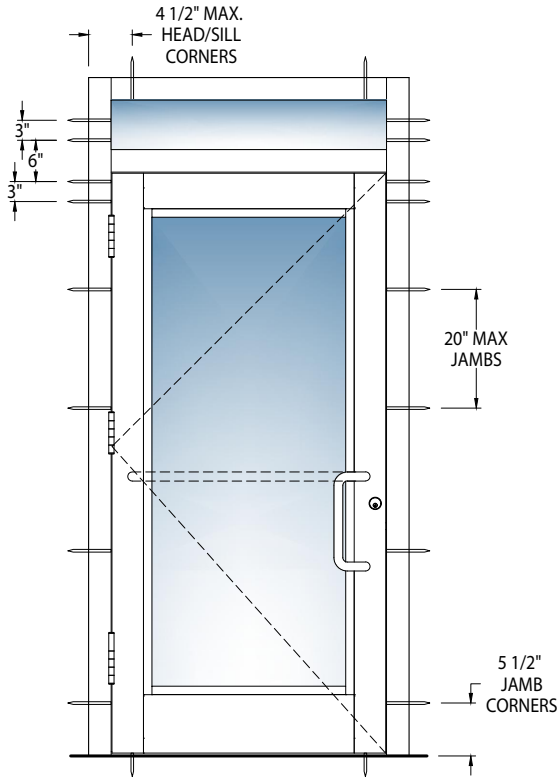


STEP 3C

ES-9000

INSTALL DOOR WITH TRANSOM:

- 3.1. Place door at opening and use shims to level it.
- 3.2. Anchor door to opening and install the frame covers. Before installing the ES-9027 threshold cover, watch for the cover's orientation, as the fabrications' placement affects the system operation. Review the placement details on page 16-onwards.

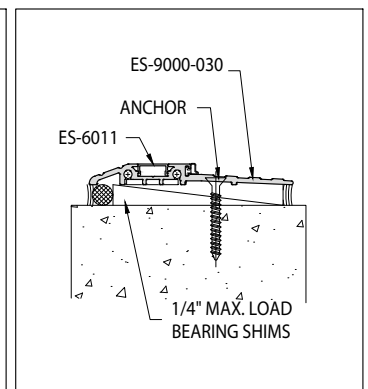
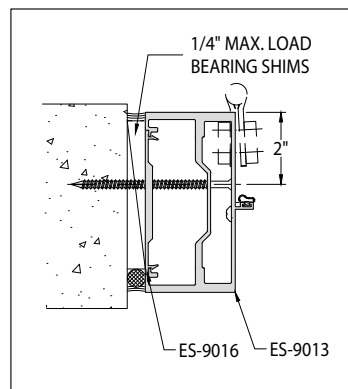
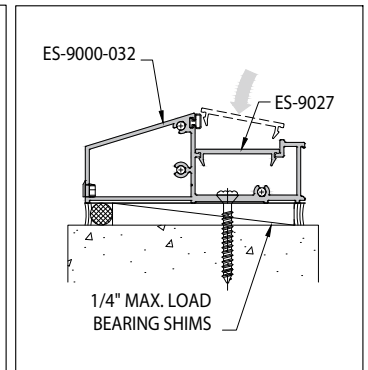
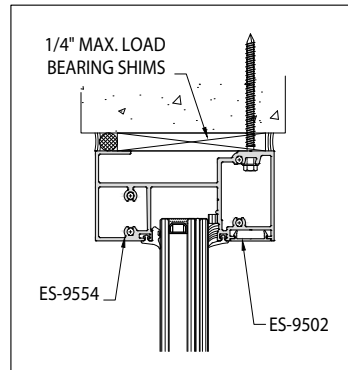
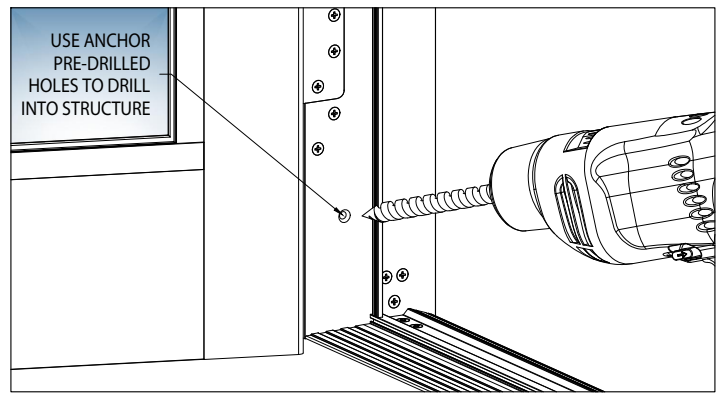
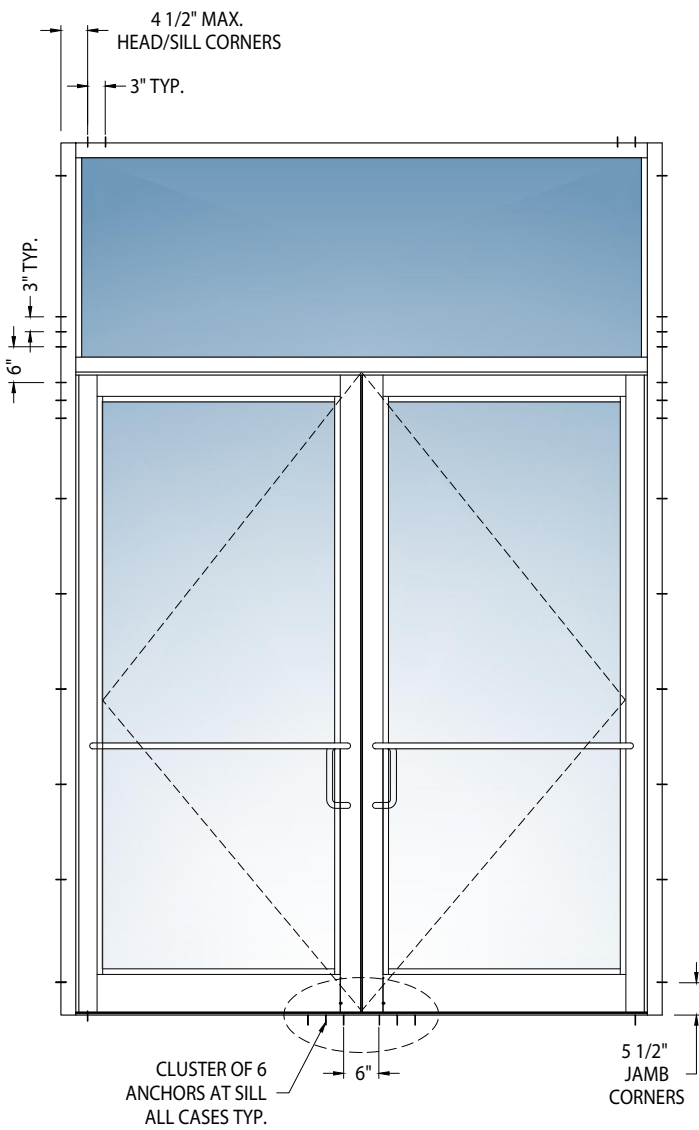


STEP 3D

ES-9000 INSWING

INSTALL DOOR WITH TRANSOM:

- 3.1. Place door at opening and use shims to level it.
- 3.2. Anchor door to opening and install the frame covers. Before installing the ES-9027 threshold cover, watch for the cover's orientation, as the fabrications' placement affects the system operation. Review the placement details on page 16-onwards.

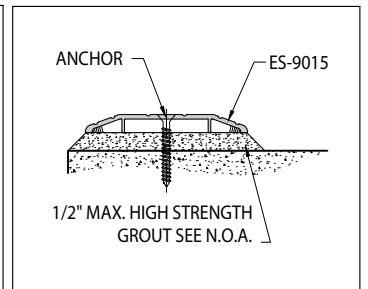
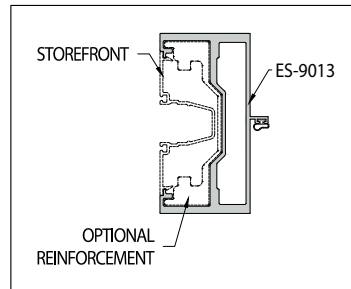
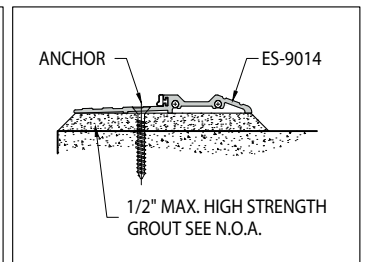
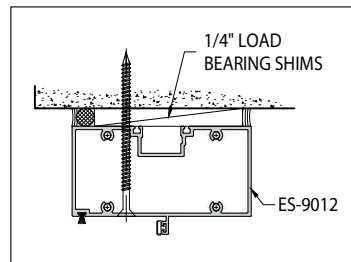
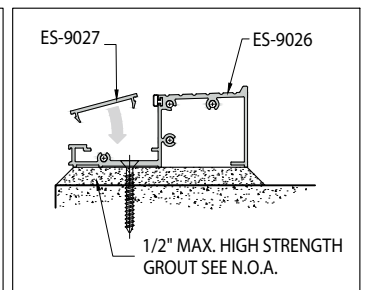
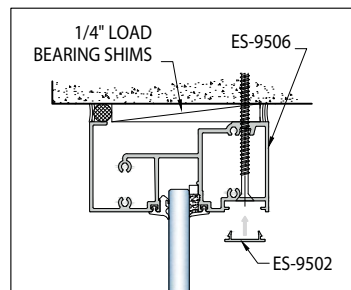
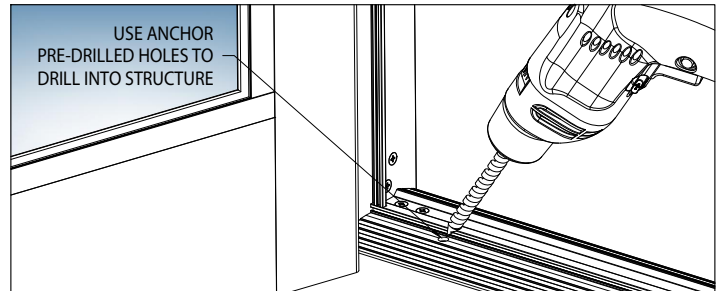
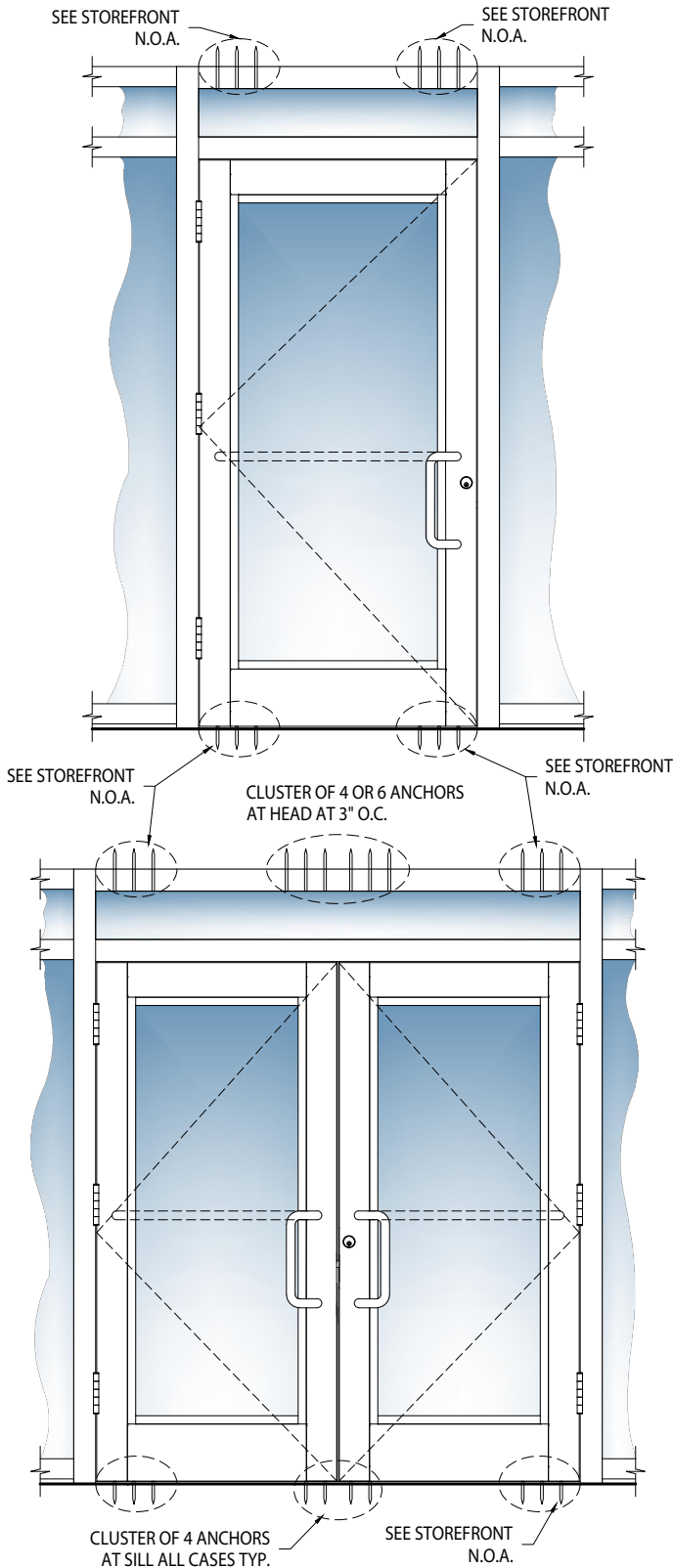


STEP 3E

ES-9000

INSTALL DOOR WITH ES-9500 STOREFRONT/ SIDELITES:

- 3.1. Place the door in the opening and use shims to level it.
- 3.2. Anchor door to opening and install the frame covers. Before installing the ES-9027 threshold cover, watch for the cover's orientation, as the fabrications' placement affects the system operation. Review the placement details on page 16-onwards.

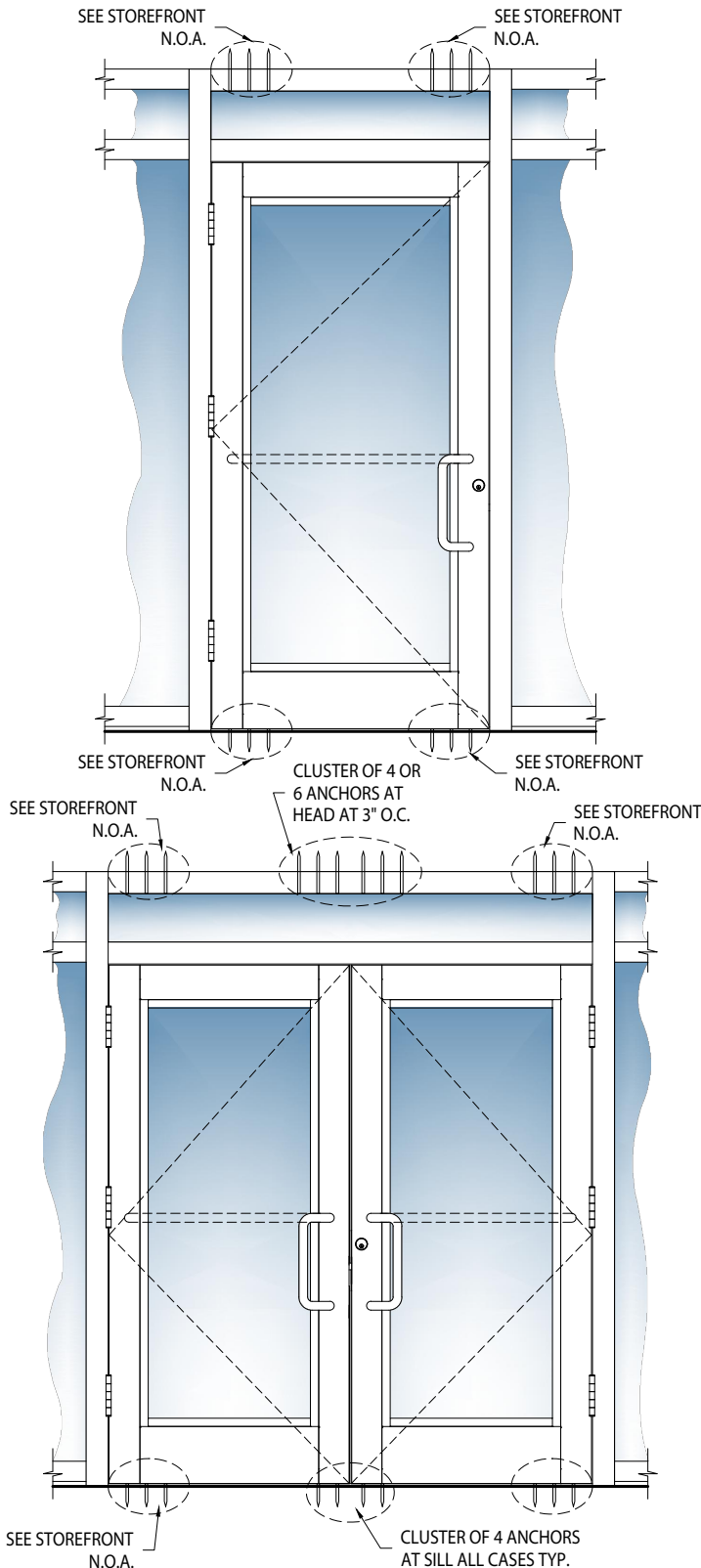
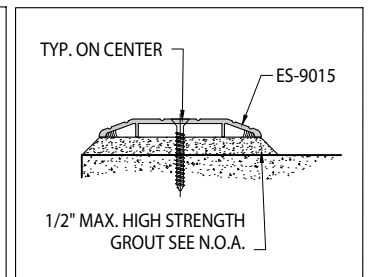
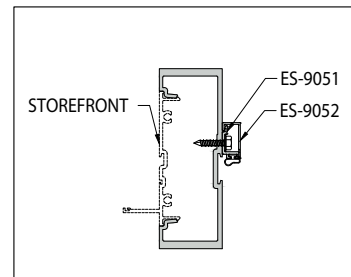
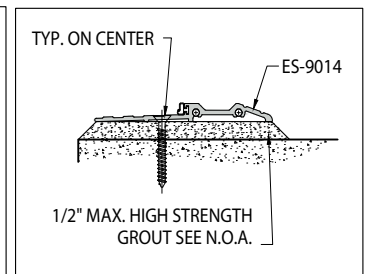
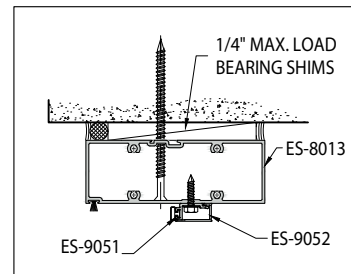
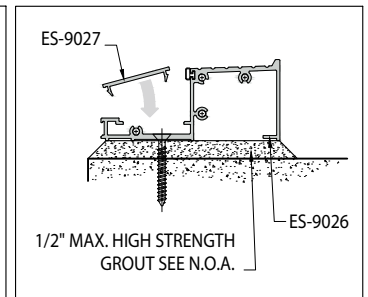
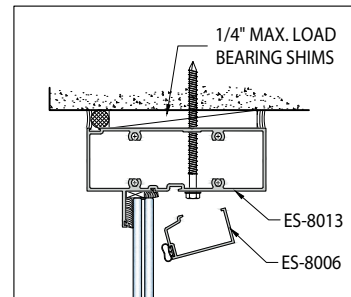
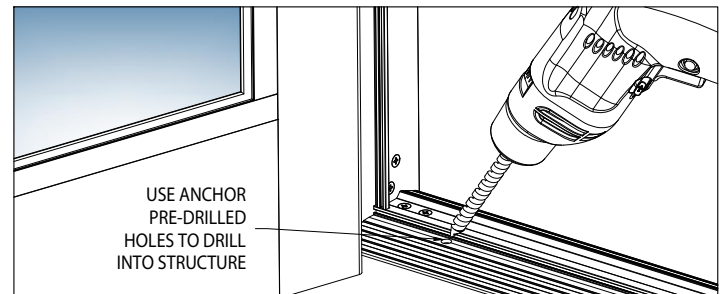


STEP 3D

ES-9000

DOOR WITH ES-8000 STOREFRONT/ SIDELITES:

- 3.1. Install door within storefront/ sidelites. Place door at opening and level it properly.
- 3.2. Anchor according ES-8000 N.O.A. No anchors @ jamb and install the frame covers. Before installing the ES-9027 threshold cover, watch for the cover's orientation, as the fabrications' placement affects the system operation. Review the placement details on page 16-onwards.

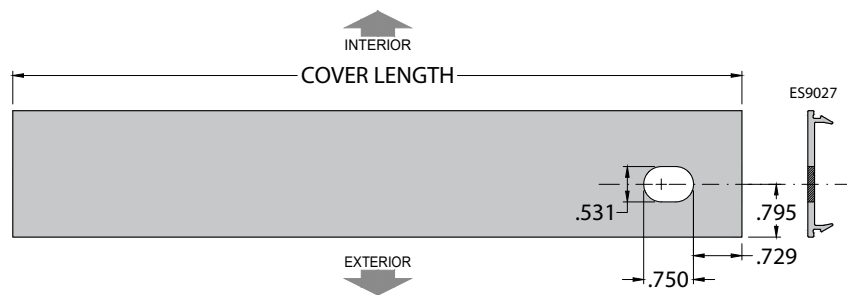


FOR ES-9000 DOOR SYSTEM:

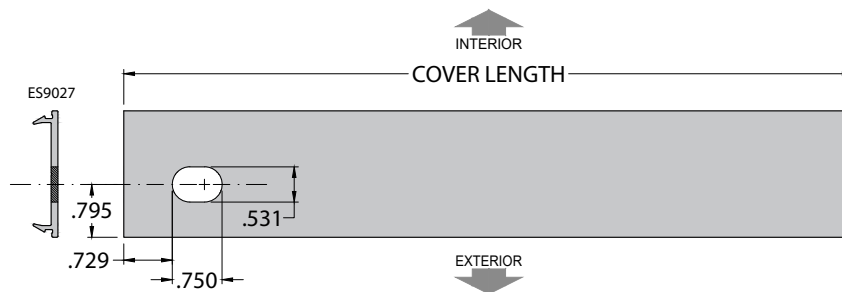
3.3. Once the screws have been fixed and sealed, a respective sill cover must be installed. It is necessary to know the orientation before installing, to avoid that the fabrications differ with the panels. Pre-identify the door configuration and carefully review the details below to establish the correct way to install the cover corresponding to the door.

- **SINGLE DOOR (X) COMMERCIAL OPTION (PUSH-PULL HANDLE):**

Opening X-LEFT configuration:

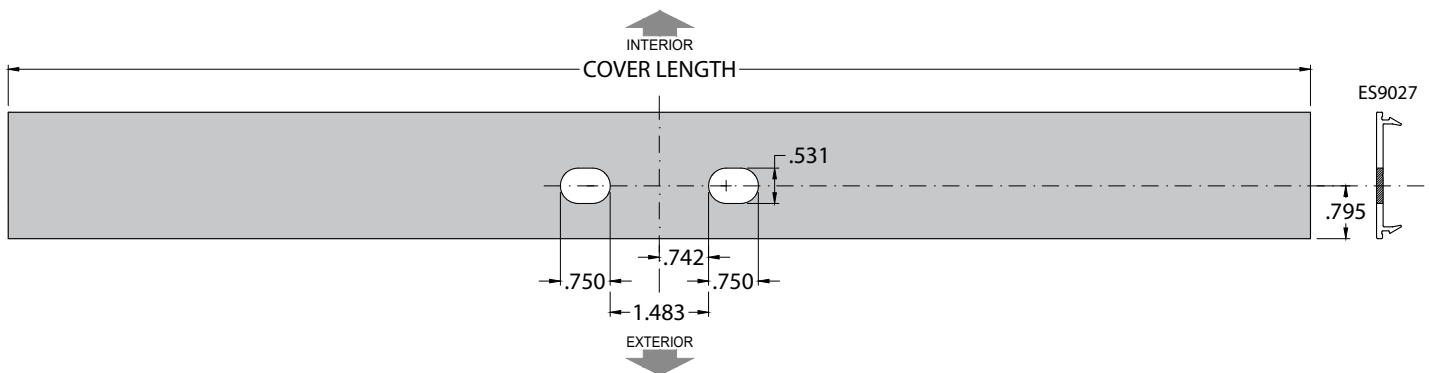


Opening X-RIGHT configuration:



- **DOUBLE DOOR (XX) COMMERCIAL OPTION (PUSH-PULL HANDLE):**

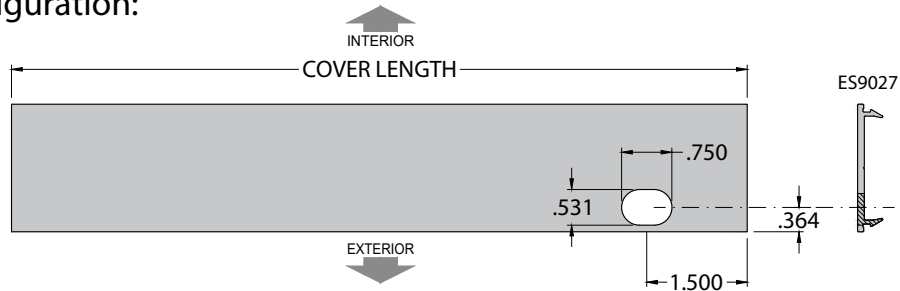
For both XX-RIGHT ACTIVE and XX-LEFT ACTIVE configurations:



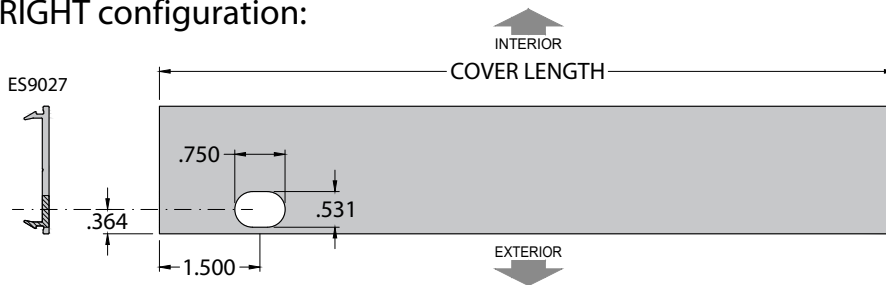
FOR ES-9000 DOOR SYSTEM:

- **SINGLE DOOR (X) RESIDENTIAL OPTION (3 POINT LOCK HANDLE):**

Opening X-LEFT configuration:

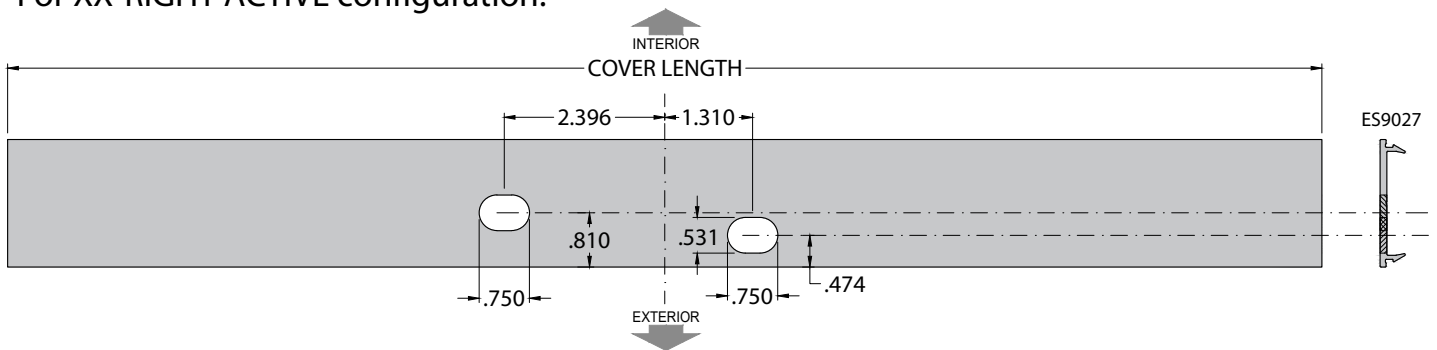


Opening X-RIGHT configuration:

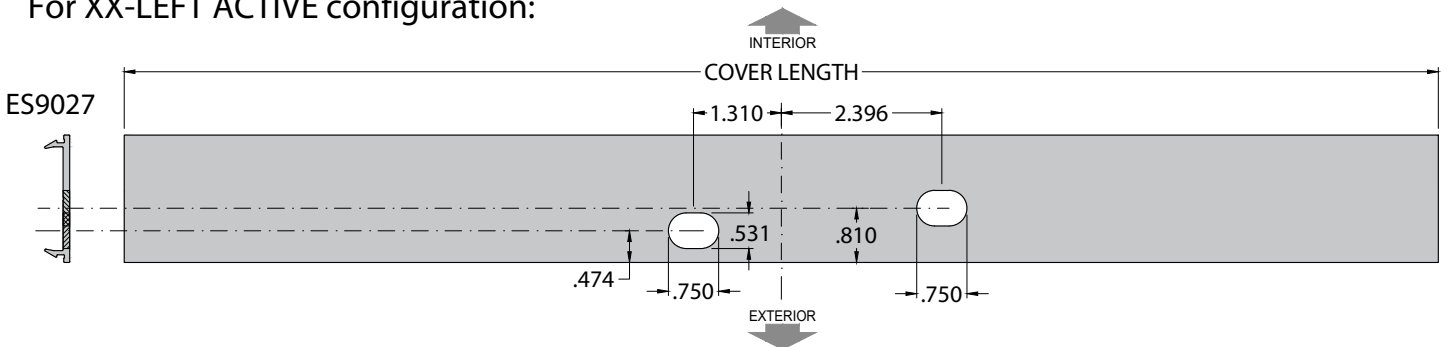


- **DOUBLE DOOR (XX) RESIDENTIAL OPTION (3 POINT LOCK HANDLE):**

For XX-RIGHT ACTIVE configuration:



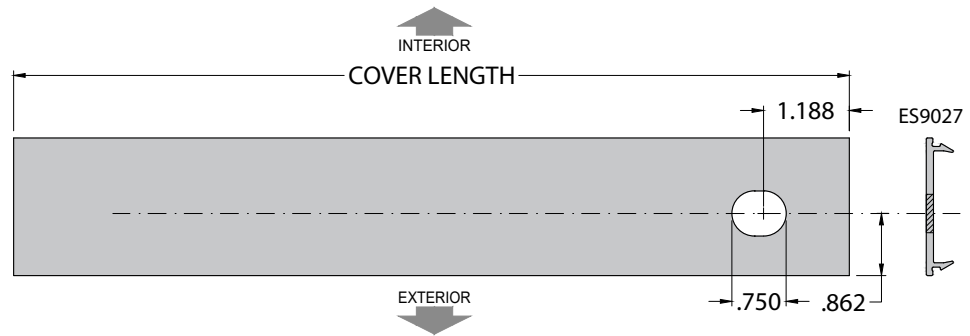
For XX-LEFT ACTIVE configuration:



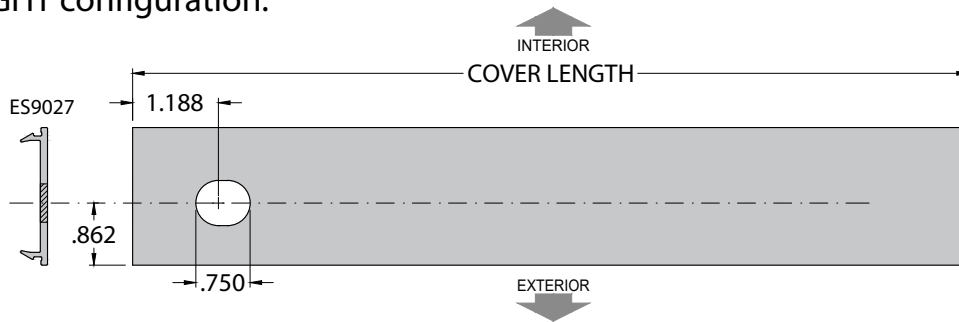
FOR ES-9000 DOOR SYSTEM:

- **SINGLE DOOR (X) PANIC DOOR O MATIC 1490 OPTION:**

Opening X-LEFT configuration:

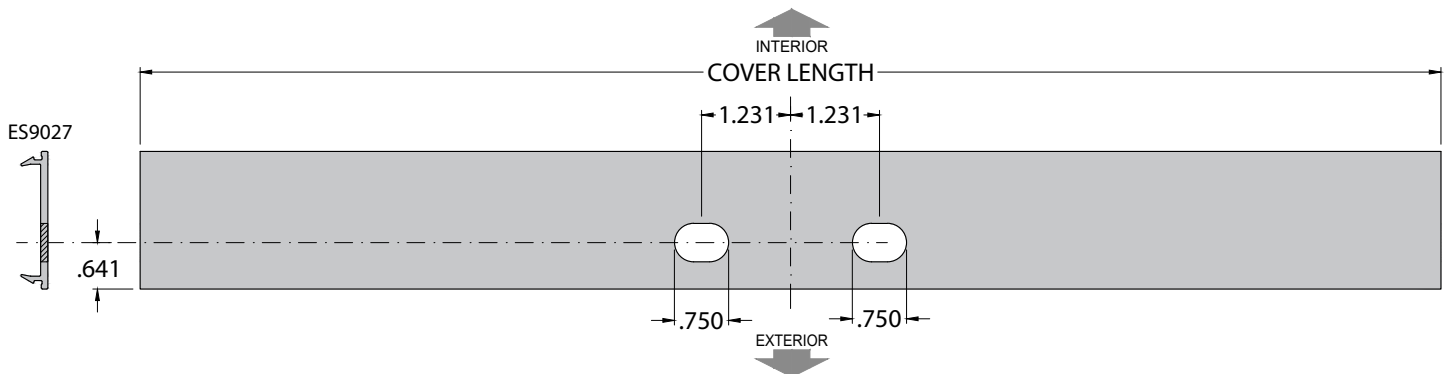


Opening X-RIGHT configuration:



- **DOUBLE DOOR (XX) PANIC DOOR O MATIC 1490 OPTION:**

For both XX-RIGHT ACTIVE and XX-LEFT ACTIVE configurations:

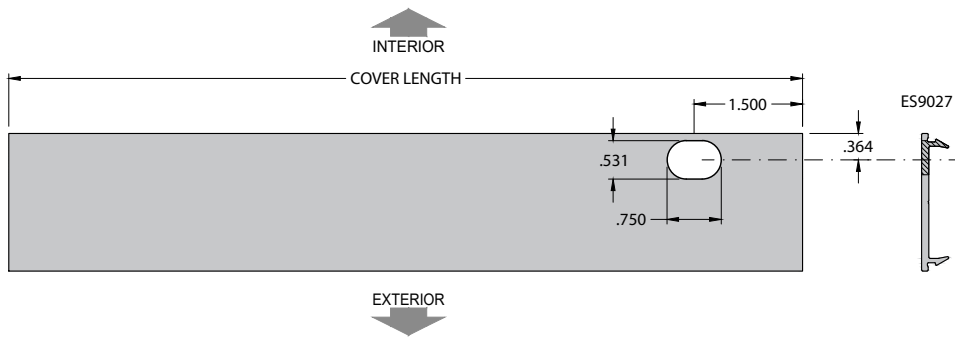


FOR ES-9000 INSWING DOOR SYSTEM:

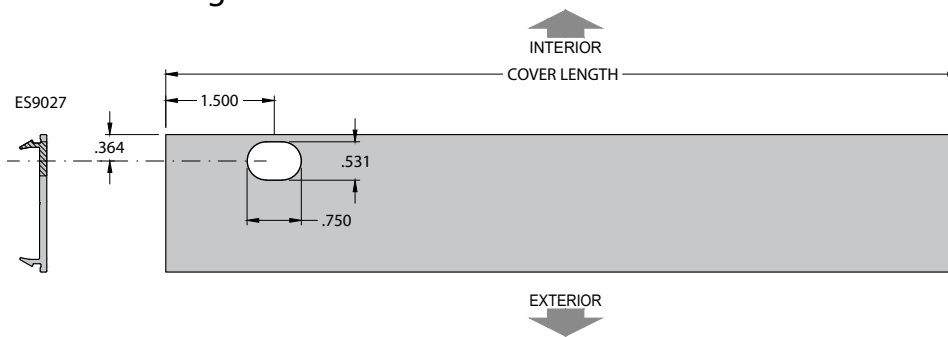
3.4. Once the screws have been fixed and sealed, a respective sill cover must be installed. It is necessary to know the orientation before installing, to avoid that the fabrications differ with the panels. Pre-identify the door configuration and carefully review the details below to establish the correct way to install the cover corresponding to the door.

- **SINGLE DOOR (X) OPTION:**

Opening X-LEFT configuration:



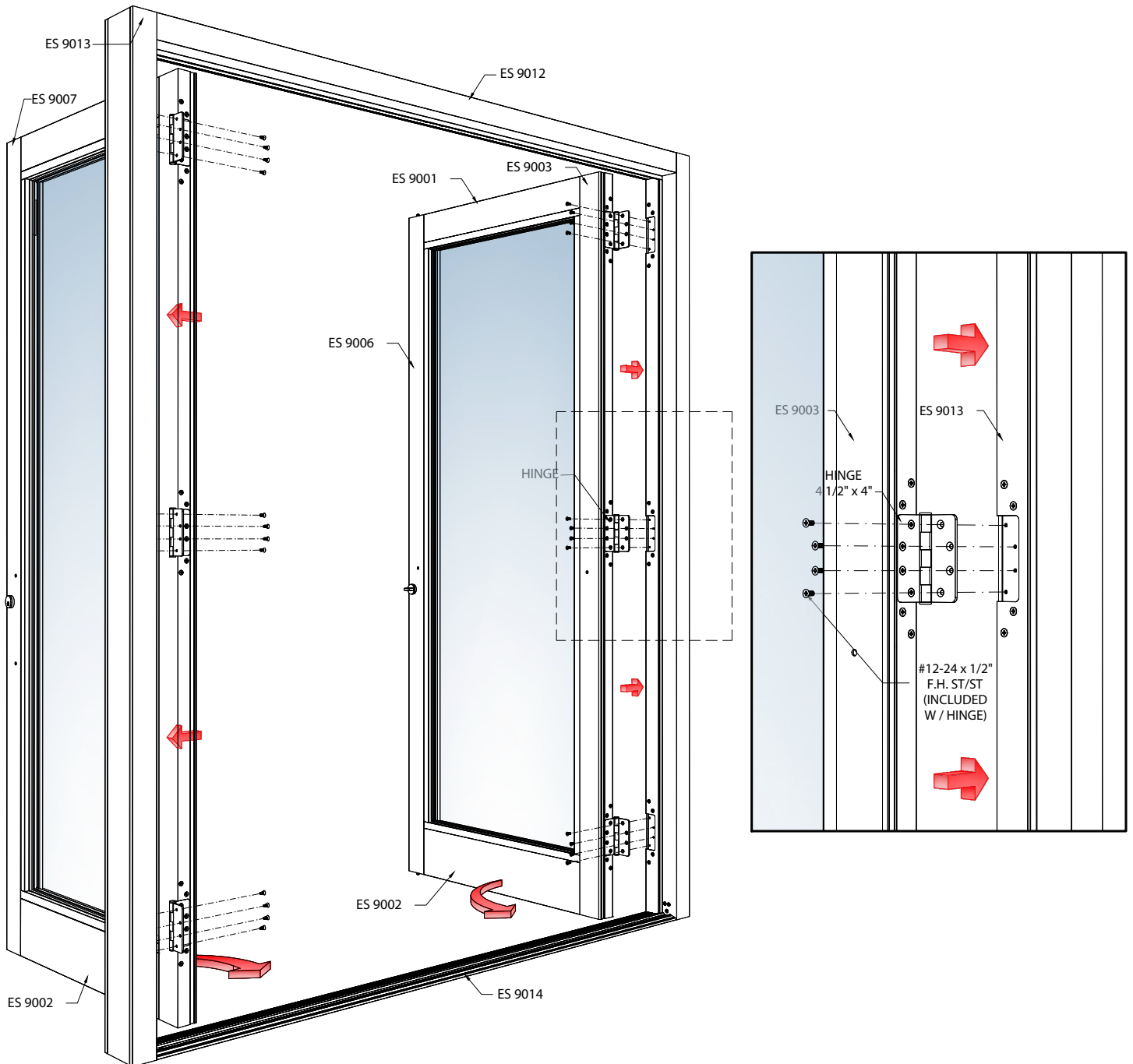
Opening X-RIGHT configuration:



STEP 4

INSTALL DOOR (XX) CONFIGURATION:

4.1. For XX configurations, leaves must be installed at site.



STEP 5

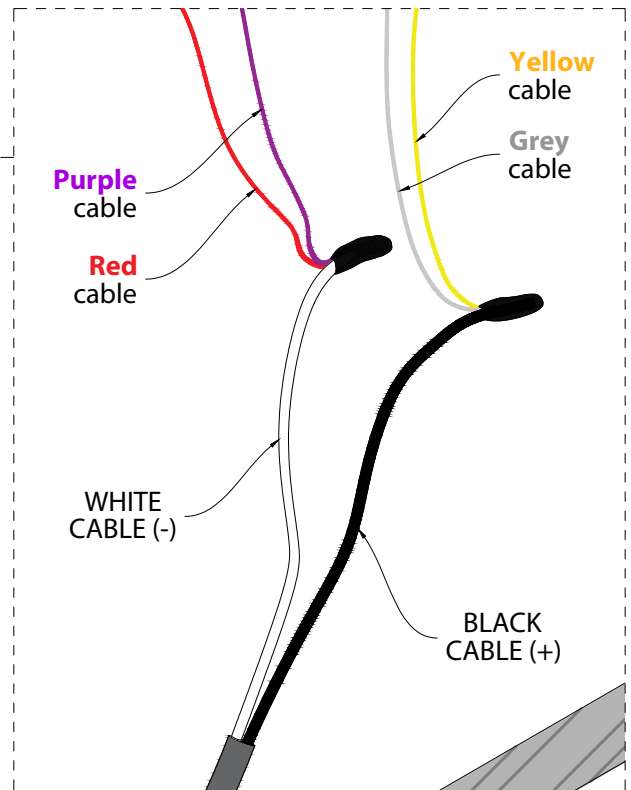
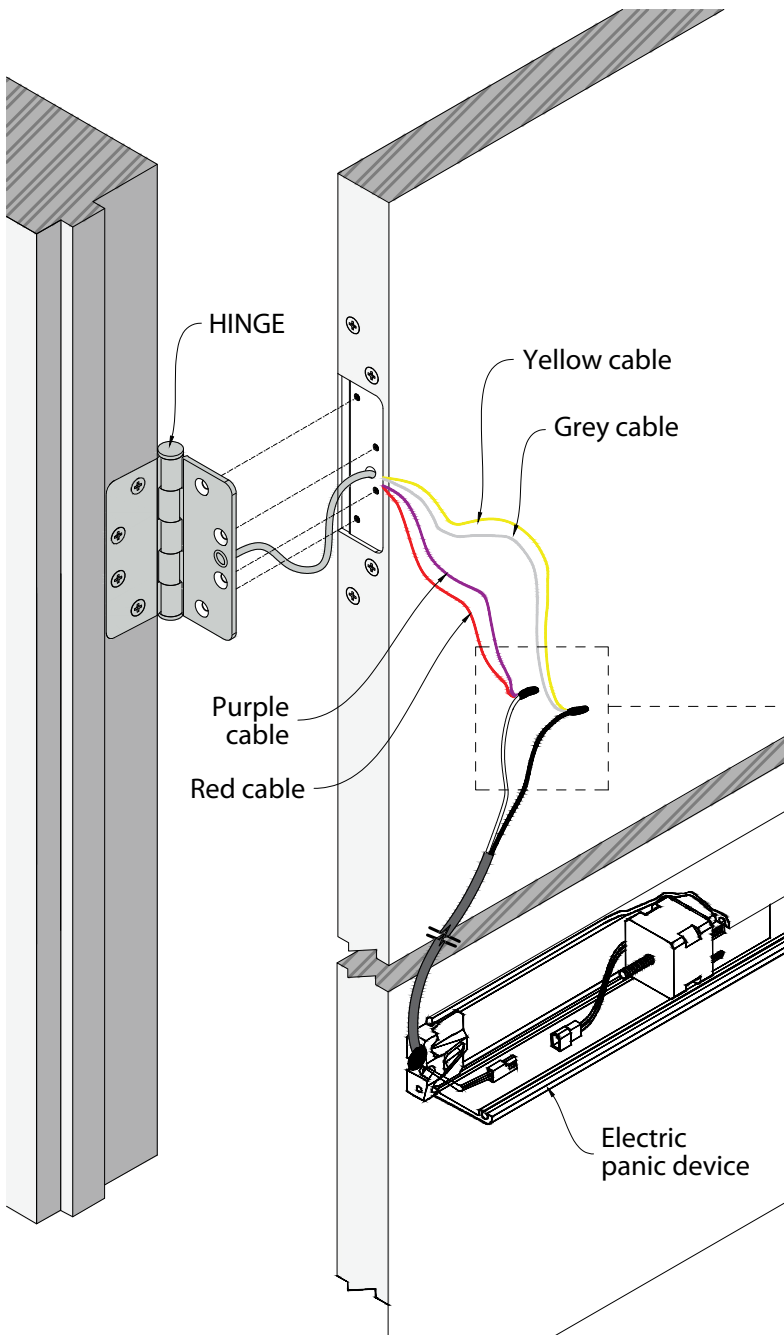
ELECTRIC PANIC DEVICE INSTALLATION (ONLY IF REQUIRED):

For the installation of the electric panic device is required:



THIS STEP APPLIES ONLY FOR CONFIGURATIONS WITH ELECTRIC PANIC DEVICE WHERE **THE LEAVE IS RECEIVED SEPARATED FROM THE FRAME.**

- 5.1. Install the hinge to the jamb routing the wires through the hole in the side of the door leaf, where the hinge is anchored.
 - 5.2. Join the yellow and gray wires, then connect to the positive (black) wire of the potted module receiver, as well as the purple and red wires to the negative (white) wire of the potted module.
- Carefully slide wires back through the access holes in the door and frame. Make sure that the wires are placed so they will not be cut or pinched as installation is completed.**
- 5.3. Connect the outgoing wires from the potted module to the panic system and seal the wiring with a thermodilator.

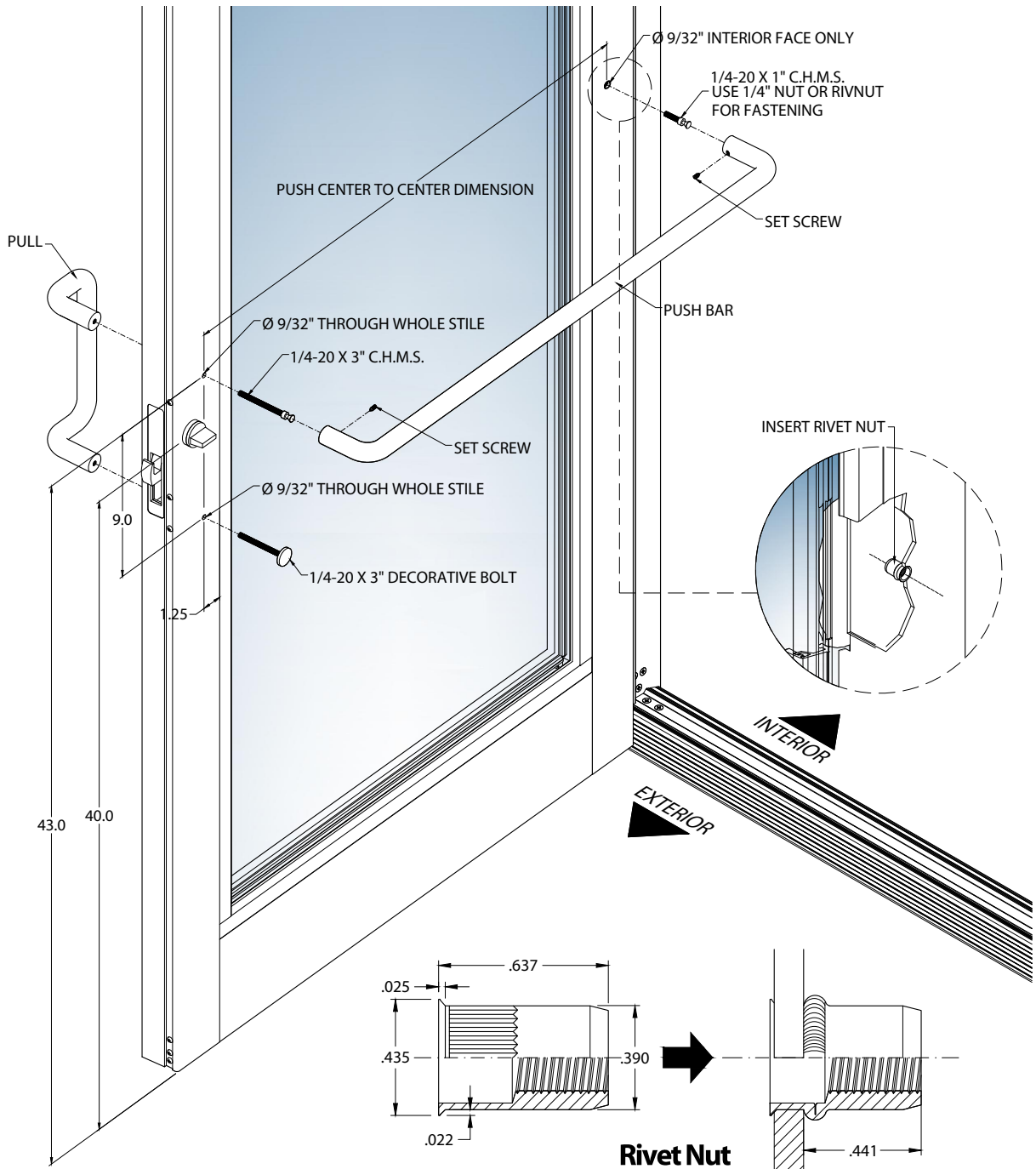


STEP 6A

ES-9000

INSTALL PUSH PULL:

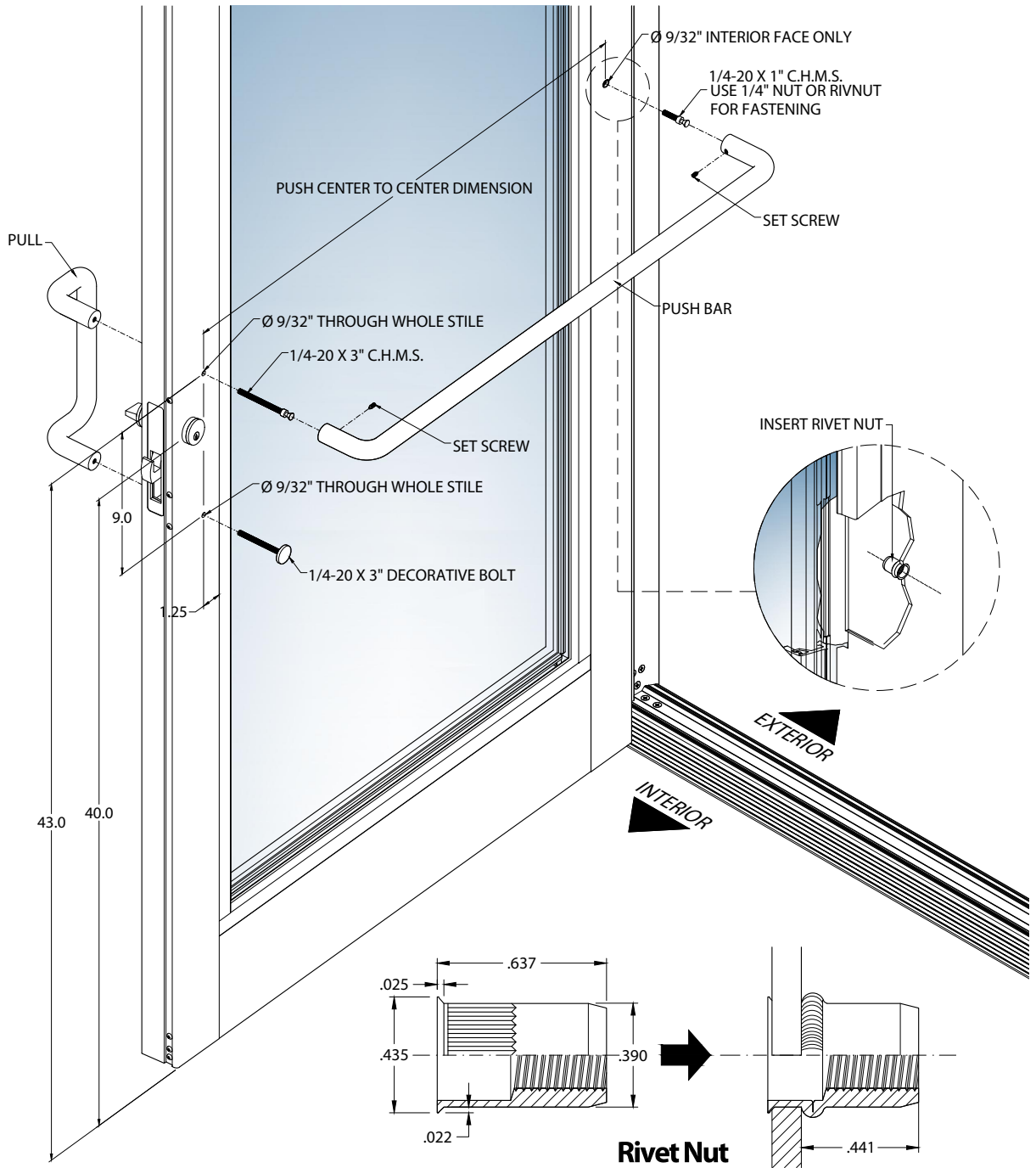
6.1. Push pull must be installed after leaf assembly.



ES-9000 INSWING

INSTALL PUSH PULL (ES-9000 INSWING):

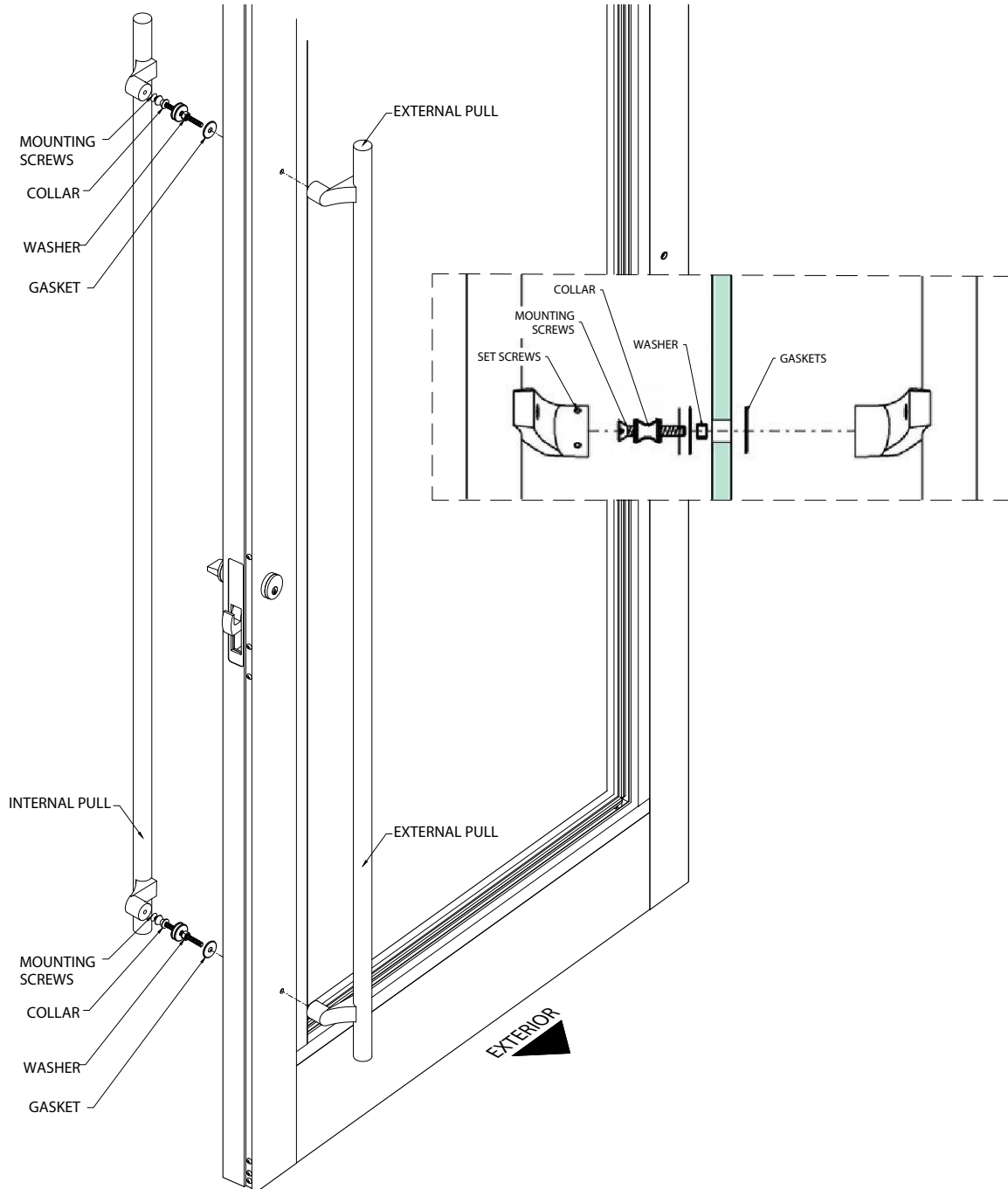
6.2. Push pull must be installed after leaf assembly.



INSTALL LADDER PULL (ES-9000 PRESTIGE):

ES-9000 PRESTIGE

6.3. Ladder pull must be installed after leaf assembly.



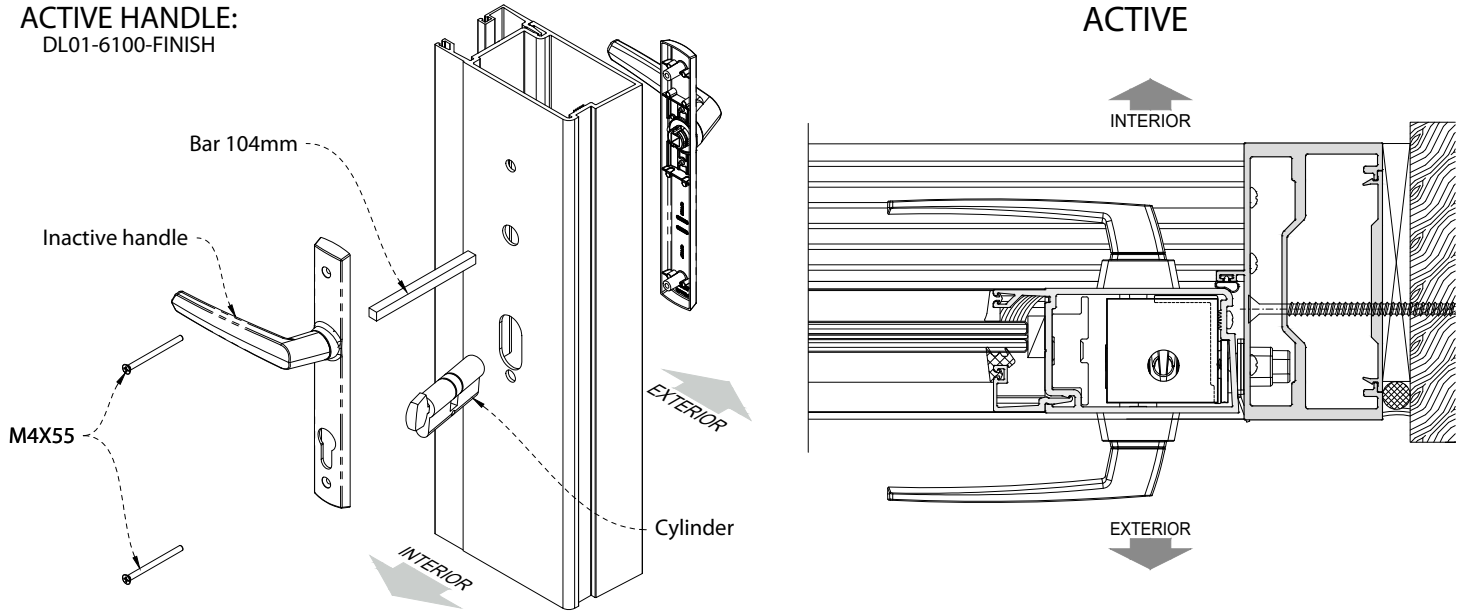
STEP 6B

INSTALL HANDLE:

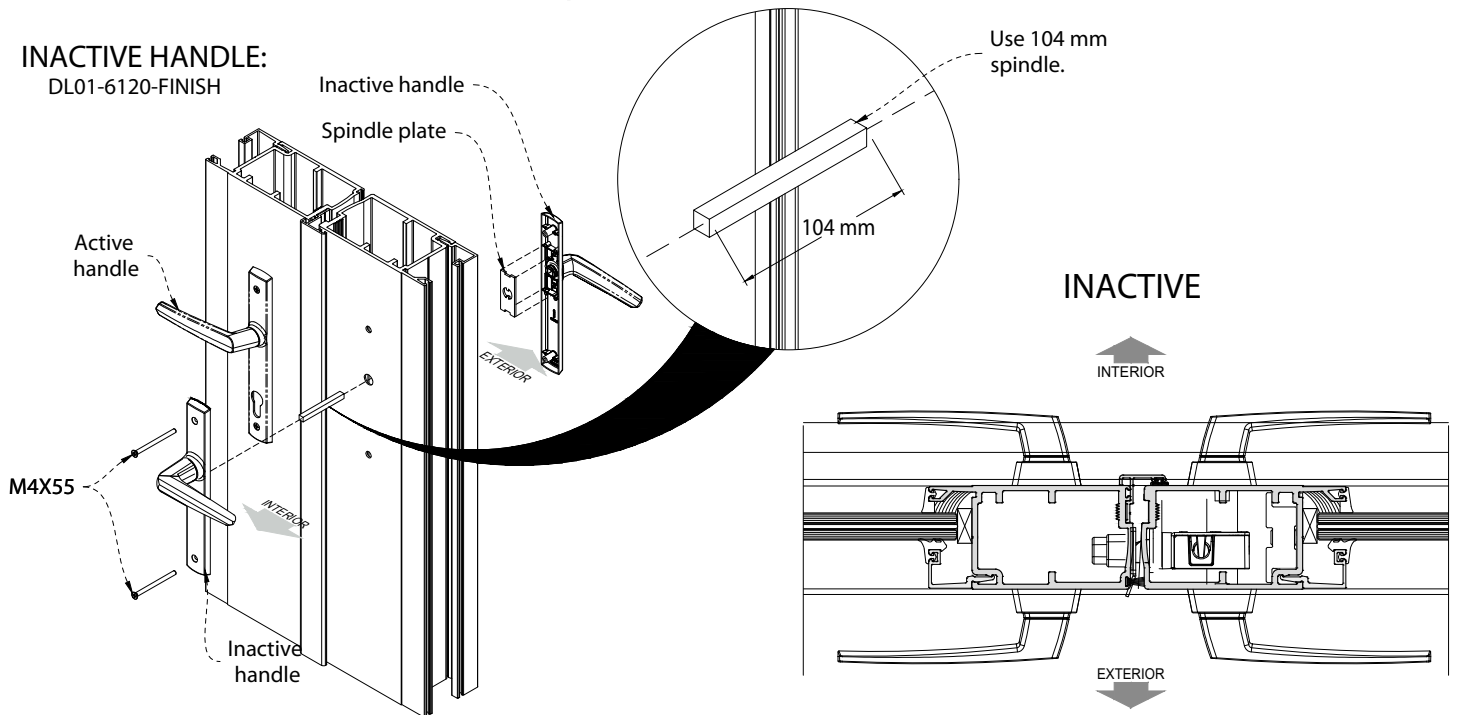
ES-9000

6.1. Install handle as shown in detail.

ACTIVE HANDLE:
DL01-6100-FINISH

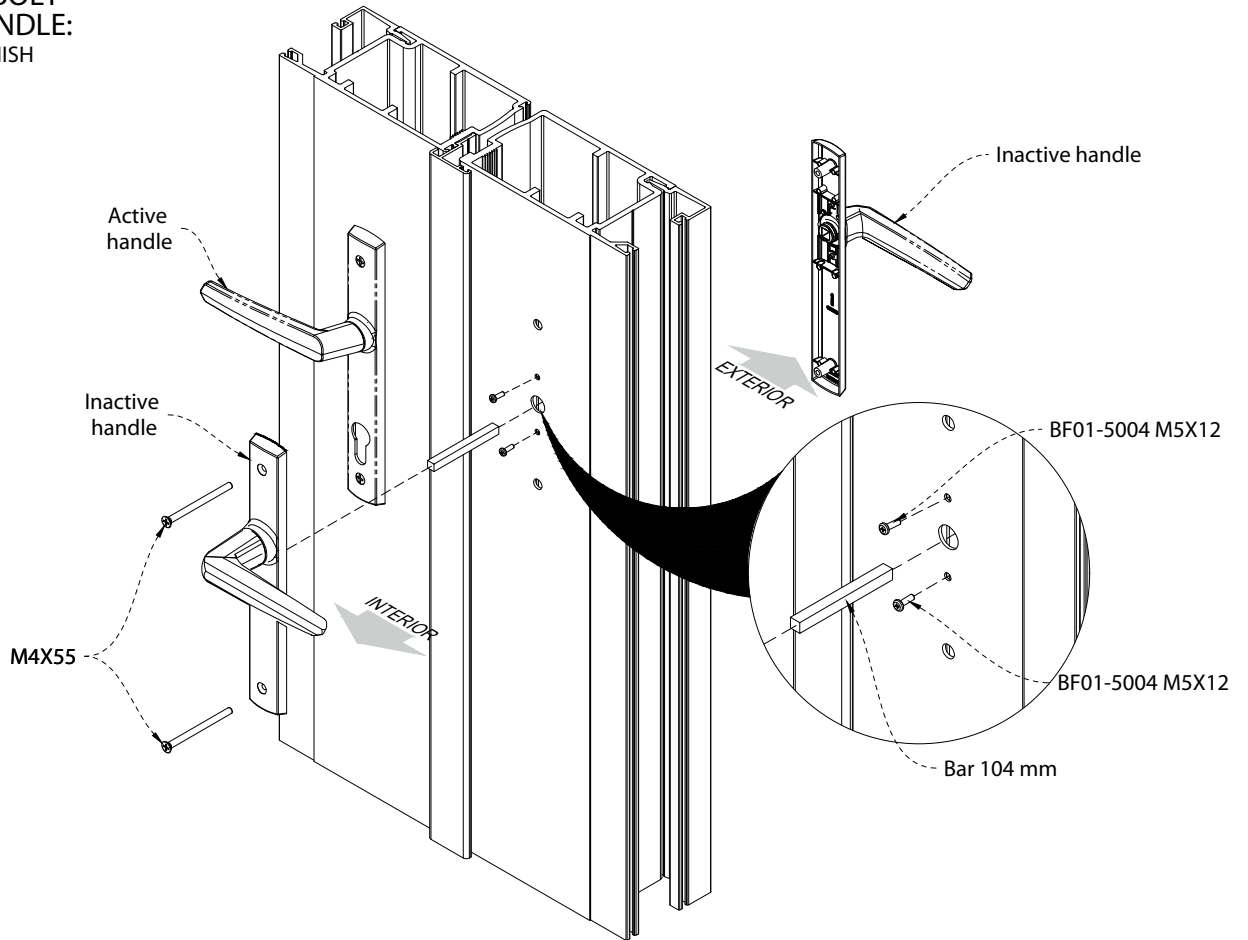


INACTIVE HANDLE:
DL01-6120-FINISH



ES-9000

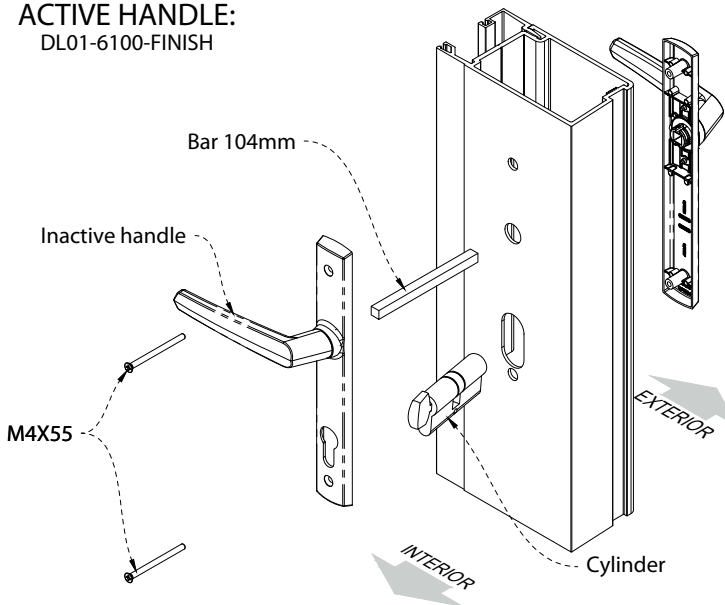
FOR TWIMBOLT
INACTIVE HANDLE:
DL01-6100-FINISH



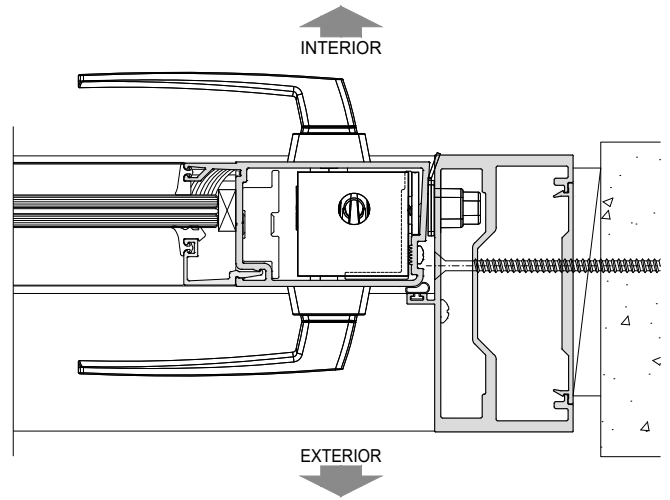
ES-9000 INSWING

6.2. For ES-9000 INSWING install handle as shown in details below.

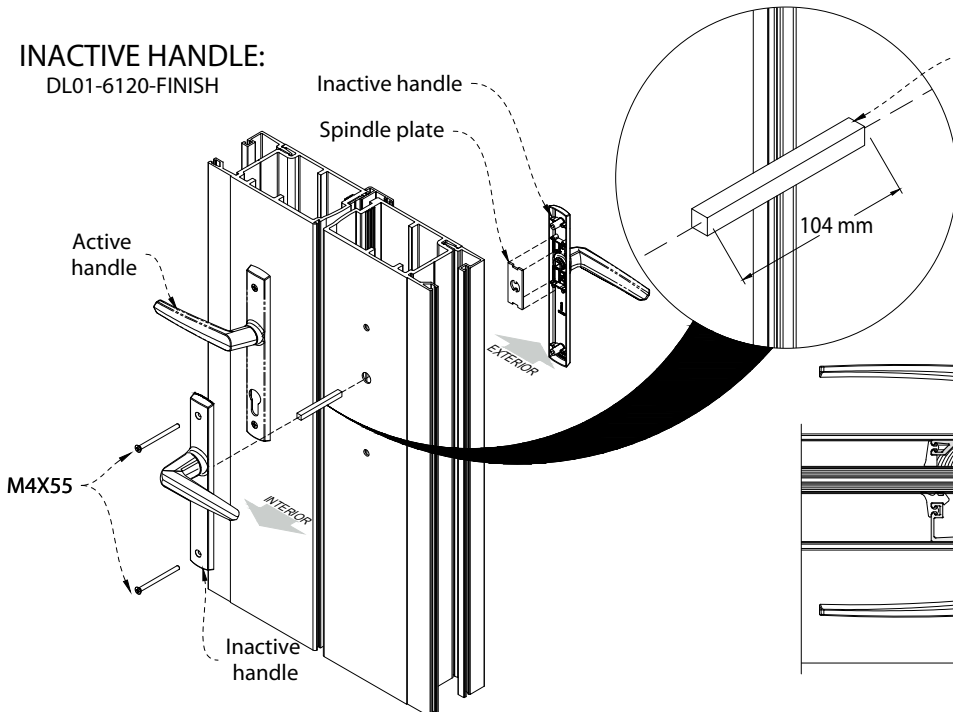
ACTIVE HANDLE:
 DL01-6100-FINISH



ACTIVE

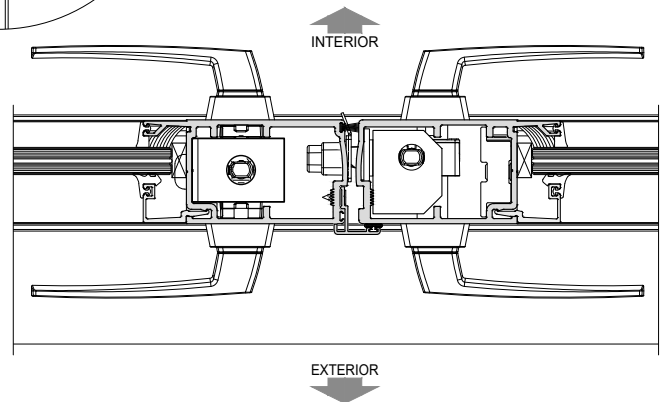


INACTIVE HANDLE:
 DL01-6120-FINISH



Use 104 mm spindle.

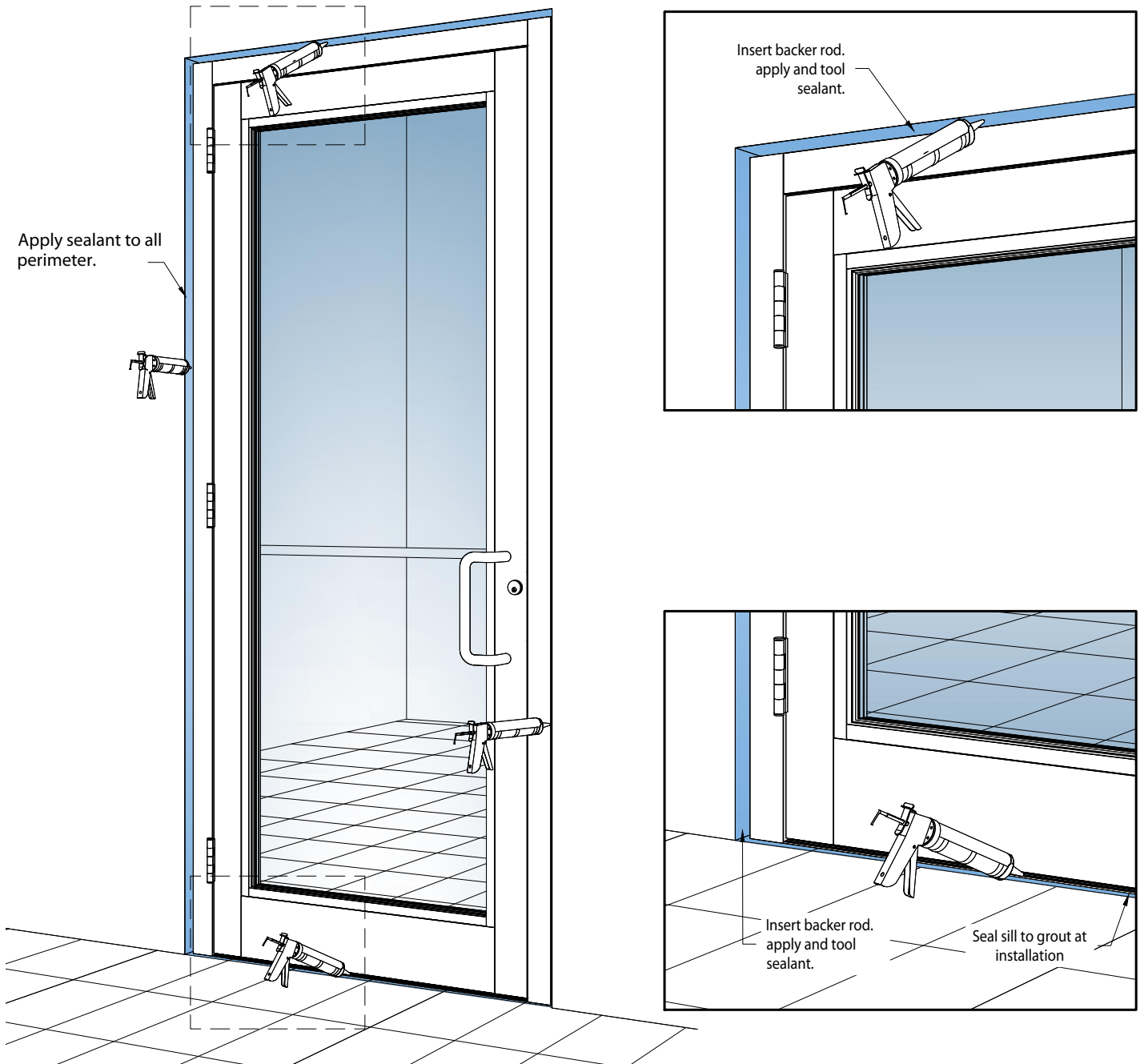
INACTIVE












STEP 7

SEAL DOOR PERIMETER:

- 7.1. Insert backer rod in shimed space around door.
- 7.2. Apply and tool silicone @ door perimeter.



INSTALLATION INSTRUCTIONS

REVIEW No.	DATE	DESCRIPTION	Page.	BY.
	22/2/2016	INTRODUCTION AND HSEQ REGULATIONS WERE ADDED. PRELIMINARY VERIFICATION OF MEETING RAIL GAPS WAS INCLUDED	2 5-7	---
	3/8/2017	INSTALLATION OF DOOR WITH CONCEALED CLOSER.	8	---
	2/8/2018	HANDLE INSTALLATION PROCESS WAS ADDED.	13	MC
	18/09/2018	SCREWS FOR HANDLE ASSEMBLY WERE ADDED.	13,14	J.CASTRO
	24/10/2019	METALLIC SHIMS INSTALLATION TO CORRECT GAP BETWEEN PANELS STEP REMOVED; GENERAL UPDATE.	ALL	E.S
	19/10/2020	ELECTRIC PANIC DEVICE (PANIC HH1490EO 42" ELEC RHR US28 CLEAR) ASSEMBLY TO HINGES (HAGER ELEC RCBB1191 4.5x4 US32D 0 SWAGE) ADDED.	13	E.S
	04/02/2021	HIGH THRESHOLD COVER ORIENTATION DETAILS ADDED; ELECTRIC PANIC DEVICE (PANIC HH1490EO 42" ELEC RHR US28 CLEAR) ASSEMBLY TO HINGES (HAGER ELEC RCBB1191 4.5x4 US32D 0 SWAGE) UPDATED.	12-14; 16	E.S
	15/04/2021	DOCUMENT UNIFIED WITH ES-9000 INSWING SYSTEM: ES-9000 INSWING INSTALLATION DETAILS ADDED.	6,9,11,13,19, 23, 26.	E.S
	09/07/2021	ADDED DETAIL FOR INSTALLATION OF LADDER PULLS FOR ES-9000 PRESTIGE VERSION.	24	A.G.

Av. Circunvalar a 100 mts de la Via 40 Las Flores
Barranquilla, Colombia PBX: (57 5) 3664600
service@eswllc.com, PBX: (+1) 305 5074545

BY Martha Castilla.