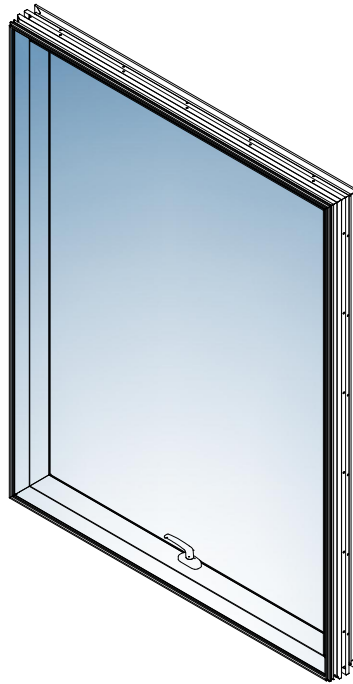


PROJECT OUT WINDOW

www.eswindows.com

GW2650



System Description

- Large missile impact. Small missile impact.
- Frame depth: 3 1/4".
- Sill height: 2 1/2".
- Designed for laminated and insulating-laminated glass.

Features

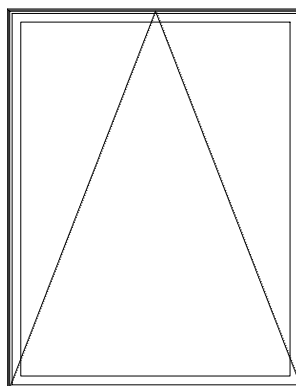
- Heavy duty stainless steel four bar hinge.
- Fully weatherstripped.
- Anodized, painted or wood grain finishes available.

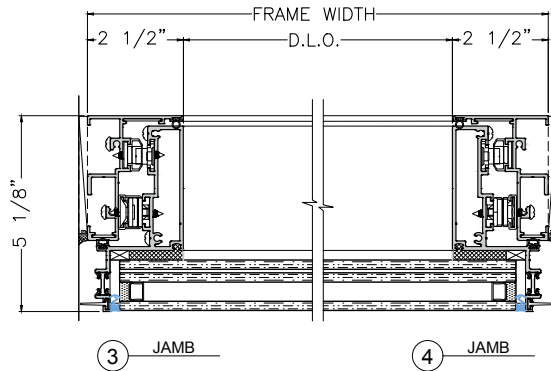
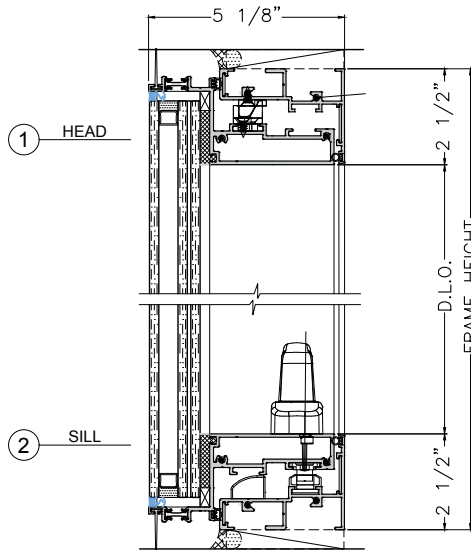
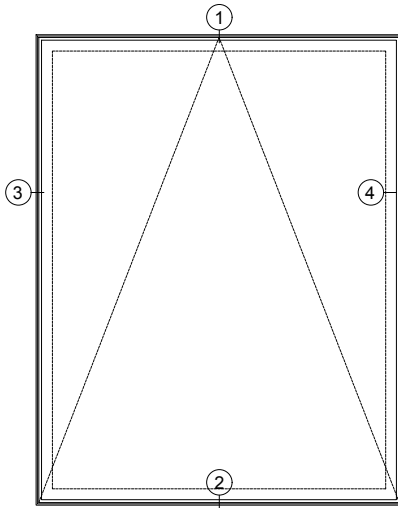
Test

- Air infiltration: 00 psf
- Water infiltration: 00 psf
- Design load: +100 /-132 psf

Configurations

STANDARD

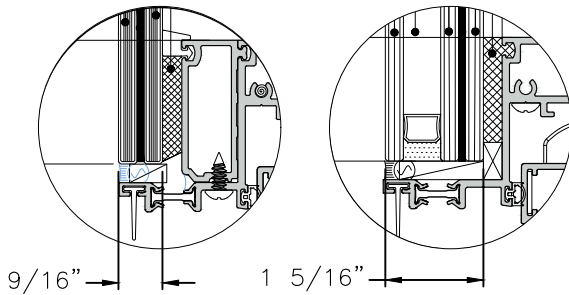




Glazing options

Laminated glass

Insulating laminated glass



Designed for 9/16" laminated glass

- 1/4" Temp. Glass+ 0.090 Interlayer +1/4" Heat Strean.

Designed for 1 5/16" insulating laminated glass

- 1/4" Temp. Glass + 1/2" air spacer + 1/4" Heat Strean'd+ 0.090 Interlayer + 1/4" Heat Strean'd.

INTERLAYER TYPES FOR LAMINATED GLASS

1. 0.090 Sentryglass Plus (SGP)
2. 0.090 Saflex PVB
3. 0.090 Dupont PVB

GLASS FINISH:

PAINTED, SERIGRAPHY, DIGITAL PRINTED

For more information please contact TECNOGLASS® or visit www.tecnoglass.com

Aluminum

ALLOY 6063-T6
ALLOY 6063-T5

For more information about aluminum and finishes consult ALUTIONS®.

Sealant

APPROVED SILICONE SEALS:

WEATHERPROOFING SILICONE:

Used to seal profile unions to avoid air and water infiltration.

- Dowcorning 791(Black-White)

STRUCTURAL SILICONE:

Besides acting as a sealant it is capable to support high loads.This silicone is commonly used to support the glass in facades and hurricane resistant products.

- Dowcorning 983
- Dowcorning 795

Measurements