

ES-SGD2020



HSEQ REGULATIONS

Read all instructions carefully before attempting this procedure. If you have any questions about your ability to complete this procedure, contact ESWINDOWS for further direction.

If swing stages are required for installation, the HSEQ inspector must approve the permissions.

- Wear the necessary personal protective equipment for product installation.
- Take safety precautions when performing the activity.
- Please follow the steps and make sure you have appropriate personal protective equipment and follow the rules established by the guidance for working at height, if required to do so.

IMPORTANT:

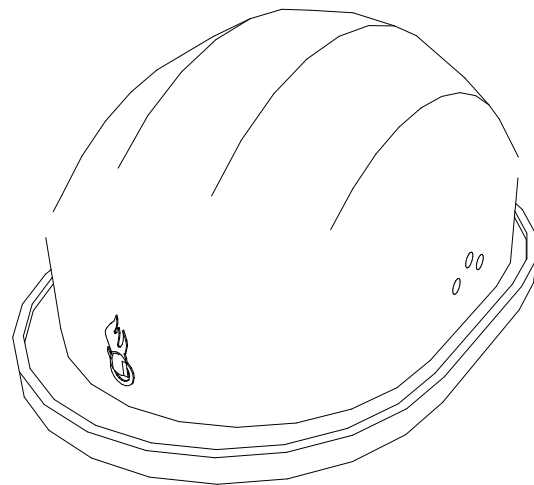
Contractors must have and execute an adequate QA/QC policy to guarantee the product installation is within industry standards and ESW guidelines. Once the product is received in acceptance by the contractor, any damage or installation problems are no longer responsibility of ESWINDOWS.

INTRODUCTION

ES-SGD2020, sliding glass door system.

This guide illustrates step by step the correct way to install the system.

Prior to installation process check that all parts and materials are in right conditions, verify that the quantities and descriptions match production drawings.



INSTALLATION INSTRUCTIONS

TOOLS AND SUPPLIES REQUIRED FOR INSTALLATIONPage. 2

PARTS REQUIRED FOR INSTALLATION..... Page. 3-5

INSTALLATION

STEP 1
 Inspection and Verification.....Page. 6-7

STEP 2 (ADA SILL)
 Frame assembly Page. 8-12

STEP 2
 Frame assemblyPage. 13-22

STEP 3
 Frame installation.....Page. 23

STEP 4
 Pocket jamb installation.....Page. 24-25

STEP 5
 Pocket hook installation.....Page. 26-27

STEP 6
 Installation of covers.....Page. 28-29

STEP 7
 Installation of pile pads.....Page. 30-33

STEP 8
 Installation of SGD-1600 bumper and pocket door closerPage. 34

STEP 9
 Foam holders installationPage. 35

STEP 10
 Installation of panelsPage. 36-38

STEP 11
 Installation of astragalsPage. 39

STEP 12
 Installation of handle.....Page. 40-44

STEP 13
 Installation of fixed panel clips.....Page. 45-46

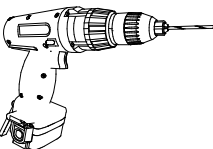

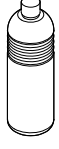
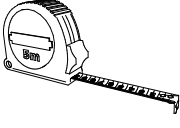

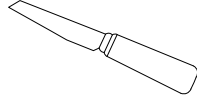
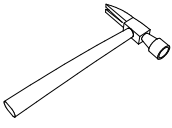
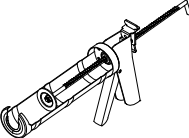
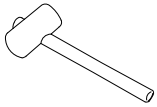
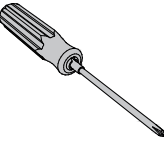
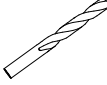
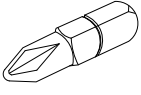
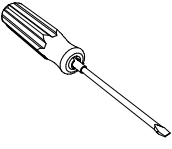
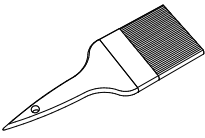
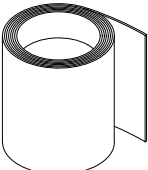
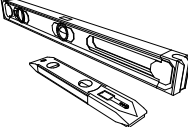
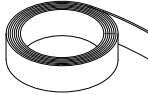
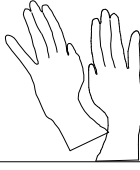
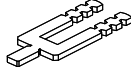

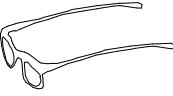
STEP 14
 Installation of accessories.....Page. 47-50

STEP 15
 Screen installation.....Page. 51-56

STEP 16
 Perimeter seal.....Page. 57

REVIEWS

TOOLS AND SUPPLIES FOR INSTALLATION









Detail	Description	Detail	Description	Detail	Description
	Drill		Plumb		Thinner
	Measure tape		Thread		Knife
	Hammer		Industrial Silicone gun		Mallet
	Phillips screwdriver		Bits for concrete		Point
	Slot screwdriver		Brush		Clean rag
	Level		Masking tape		Safety gloves
	Plastic shims		Isopropyl alcohol		Safety glasses

INSTALLATION INSTRUCTIONS

PARTS REQUIRED FOR INSTALLATION		
PART	DETAIL	DESCRIPTION
ES-SGD2020-011		HEAD
ES-SGD2020-012		SILL
ES-SGD2020-014		JAMB
ES-SGD2020-015		JAMB
ES-SGD2020-013		FRAME SILL COVER
ES-SGD2020-010		JAMB SCREW COVER
ES-SGD2020-002		SILL 3 TRACKS
ES-SGD2020-001		HEAD 3 TRACKS
ES-SGD2020-004		JAMB 3 TRACKS
ES-SGD2020-005		UNANCHORED JAMB 3 TRACKS
ES-6011		JAMB SCREW COVER
ES-SGD2020-003		FRAME SILL COVER 3 TRACKS
ES-SGD2020-008		STANDAR SILL RAISER
ES-SGD2020-007		HIGH SILL RAISER

ES-SGD2020-040		SILL RISER 120 PSF
ES-SGD2020-041		SILL RISER 100 PSF
ES-SGD2020-034		HEAD 4 TRACKS
ES-SGD2020-035		SILL 4 TRACKS
ES-SGD2020-038		UNANCHORED JAMB 4 TRACKS
ES-SGD2020-037		JAMB 4 TRACKS
ES-SGD2020-036		FRAME SILL COVER 4 TRACKS
ES-SGD2020-009		POCKET JAMB
ES-SGD2020-023		ASTRAGAL
ES-CF-001		END DAM
ES-SGD2020-063		FRAME HEAD 5 TRACK
ES-SGD2020-062		FRAME FRONT HEAD 5 TRACK
ES-SGD2020-055		FRAME SILL 5 TRACK
ES-SGD2020-054		FRAME FRONT SILL 5 TRACK
ES-SGD2020-057		FRAME JAMB 3 TRACK INTERMEDIATE
ES-SGD2020-064		FRAME FRONT JAMB 5 TRACK
ES-SGD2020-065		FRAME JAMB REAR 5 TRACK

INSTALLATION INSTRUCTIONS

ES-SGD2020-059		POCKET DOOR CLOSER 2 & 3 TRACK
ES-SGD2020-060		POCKET DOOR CLOSER 4 TRACK
ES-SGD2020-061		POCKET DOOR CLOSER 5 TRACK
ES-SGD2020-069		HOOK STRIP BASE
ES-SGD2020-070		HOOK STRIP
ES-W525-014		COVER
ES-SGD2020-067		JAMB INTERMEDIATE 4 TRACK
ALU-P-018		FOR FIXED PANEL OOX-XOO CONFIGURATIONS

INSTALLATION INSTRUCTIONS

PARTS REQUIRED FOR INSTALLATION		
PART	DETAIL	DESCRIPTION
PS01-0035		RECESSED FACEPLATE SBML LOCK TWO POINT
PS01-0206		CREST HANDLE SET
PS01-0205-FINISH		CREST TURN LEVELER LONG
191013-FINISH		HANDLE LOCKING
180260 PIN LG		CYLINDER
PS01-0014-FINISH		INVOLUTE HANDLE SET
PS01-0303		INVISIO HANDLE SET
PS01-1005-00B PS01-0060-000 2P		AJUSTABLE STRIKE
ALU-A-018		INTERMEDIATE FIXED PANEL ANGLE
#8x1/2" P.H. ST/ST		2 x INTERMEDIATE FIXED PANEL ANGLE
#8x1/2" F.H. ST/ST		2 x INTERMEDIATE FIXED PANEL ANGLE
#8x3/4" F.H. ST/ST		2 x LOCK PS01-0205
#8x3/4" P.H. ST/ST		2 X HANDLE STRIKE
#10x3/8" P.H. tipo B ST/ST		FOR FIXED PANEL
#10x3/8" F.H.		HANDLE SCREW
#10x5/8" P.H.		FOR POCKET DOOR CLOSER
#10x3/4" P.H.		BUMPER
#10x3/4" SELF DRILLING SCREW		SELFDRILLING SCREW

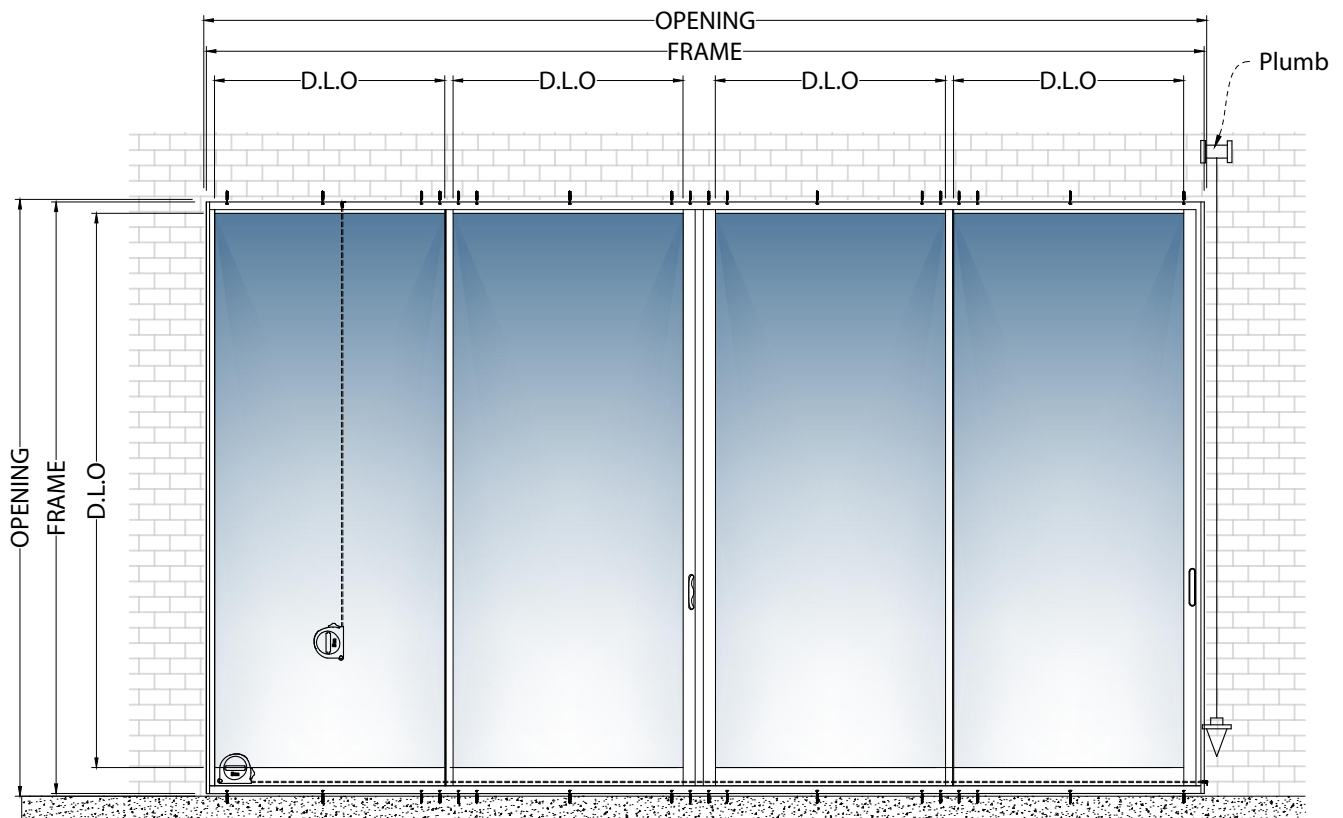
#10 x 1 1/4" P.H. ST/ST		FOR ASTRAGAL
#12x1" P.H. ST/ST		1 X BUMPER SGD-1700
#12x1-1/2" P.H. ST/ST		FOR FRAME ASSEMBLY AND END DAM
M4x40mm Phillips F.H		FOR CREST HANDLE LOCK
-----		BUMPER AND CAP
GTT-15006-HKA-01-TE		ROLLER
ES-SGD2020-C01		INTERLOCK PLASTIC COVER
SGD-1600		BUMPER
D4304AMK .430"x1.00"x.370"		ADHESIVE PILE PAD
D5009AMK .500"x2.25"x.870"		ADHESIVE PILE PAD
D7509AMK .750"x2.25"x1.93"		ADHESIVE PILE PAD
EMP-737		WEEP HOLE PLUG
ES-SD2020-F01		9/16x3/16x1/2 RETICULATED FOAM FOR WEEP HOLES
16-149		HANDLE SCREEN
ES-004		SCREEN PLASTIC GUIDE
ES-SGD2020-C02		FOAM HOLDER
D.S 791		WEATHERPROOFING SEALANT
WA2L		WEEP HOLE COVER
30PPI WPSA-N1		RETIC FOAM FOR SILL 3/4x3/4x2

Verify application guides by manufacturers to apply sealant properly.

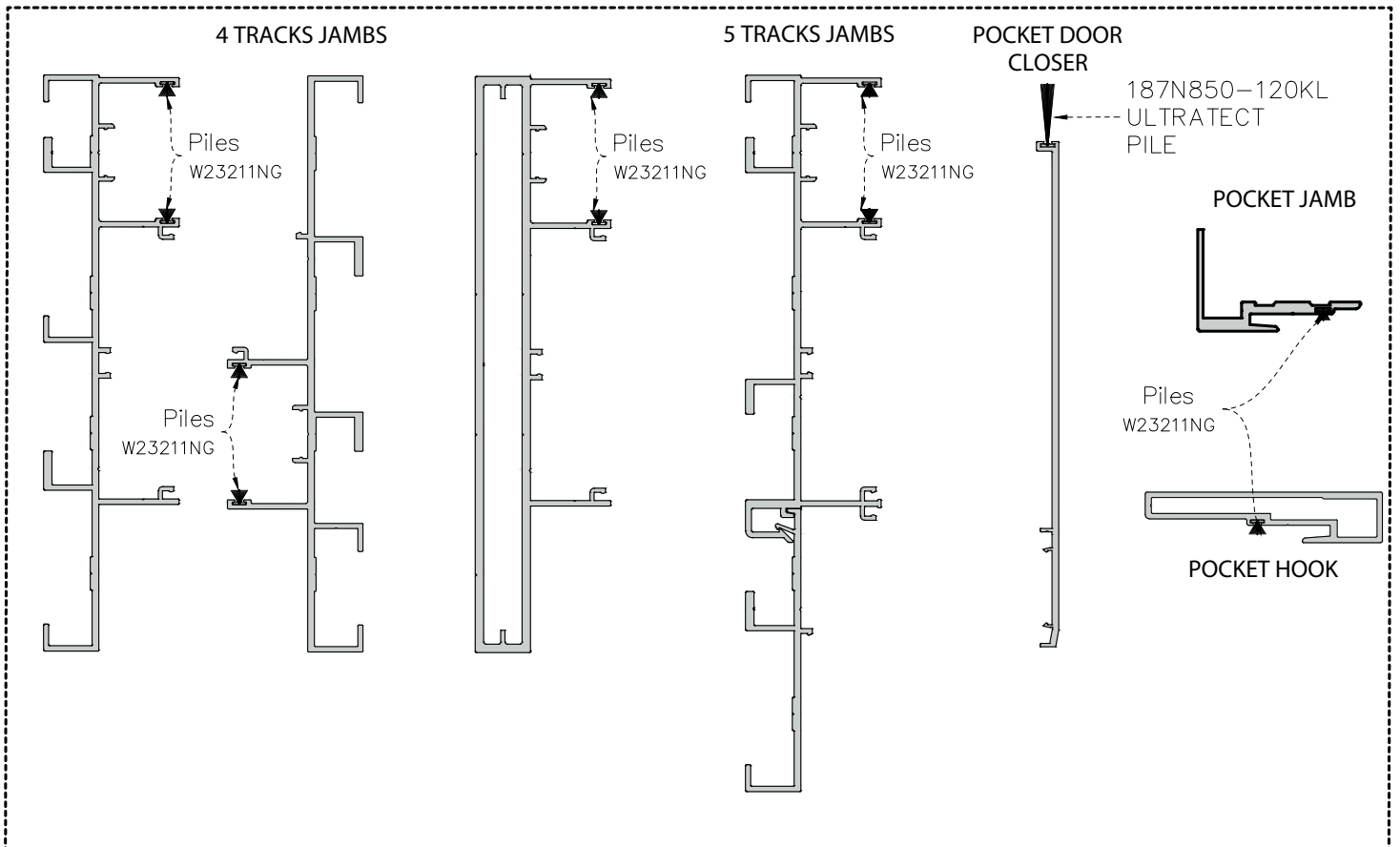
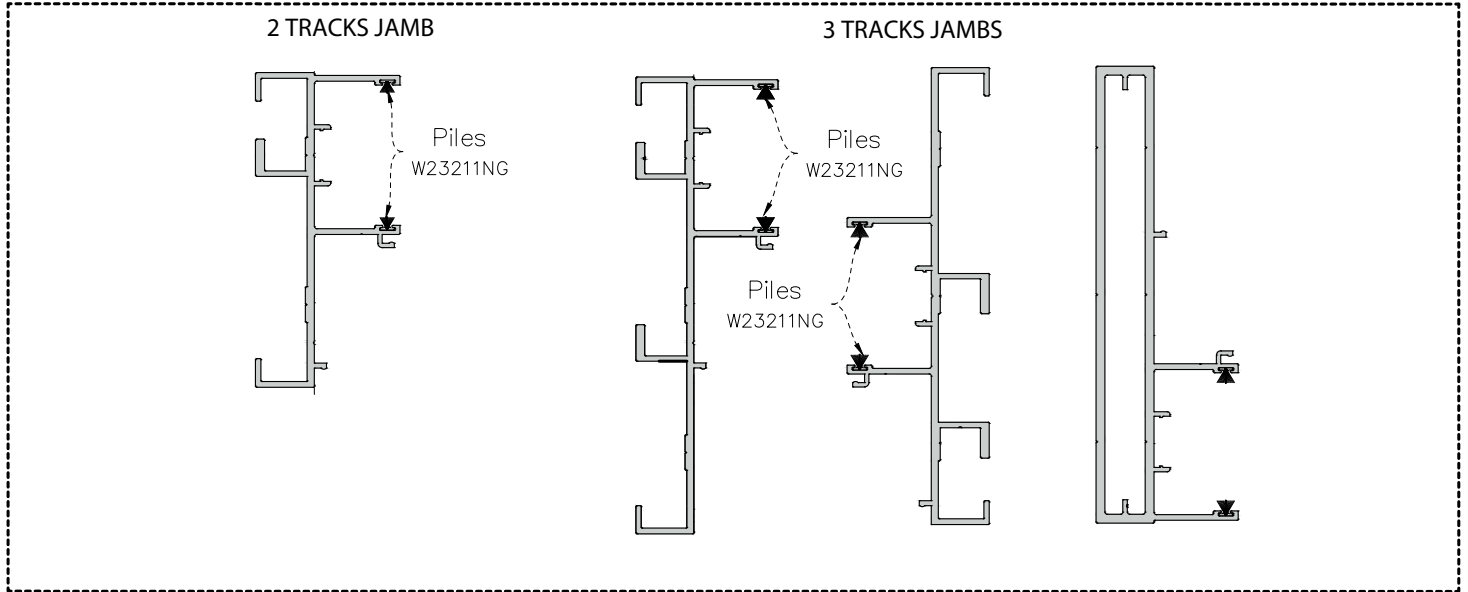
STEP 1

INSPECTION AND VERIFICATION:

- 1.1. The rough opening should be checked for the correct size as determined by dimensions listed in the architectural specifications and the shop drawings. Measure rough opening in several places to determine variations. Correct as necessary.
- 1.2. Check all material upon arrival for quantity and damage.
- 1.3. Remove any debris that interferes with the proper installation of the unit.
- 1.4. In case of any irregularities notify ESWINDOWS.

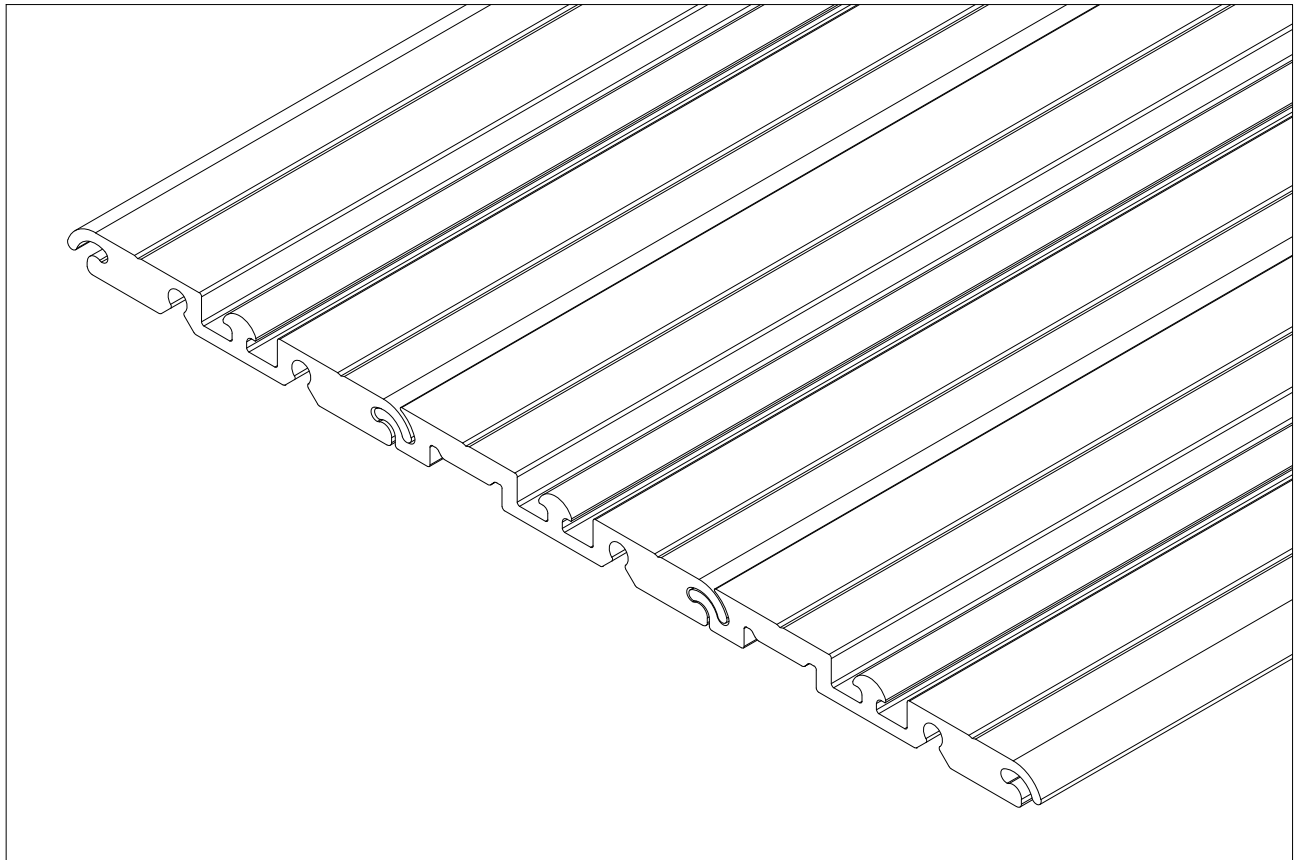


1.5. Verify configurations in shop drawings to check that piles are installed in jambs as shown in the detail below.



INSTALLATION OF DOORS WITH ADA SILL

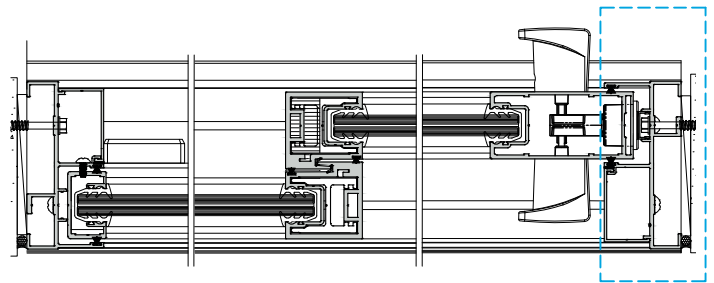
Please read following steps to install a door with ADA sill



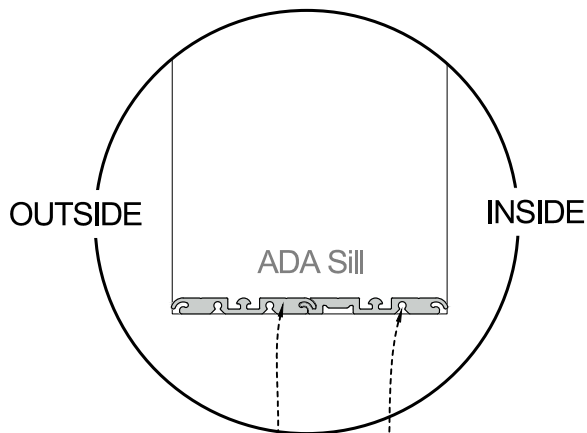
STEP 2 (ADA SILL).

FRAME ASSEMBLY:

- 2.1. Identify frame configuration between two tracks, three tracks, four tracks and five tracks.



Verify shop drawings for the location of the jamb with the handle keeper.



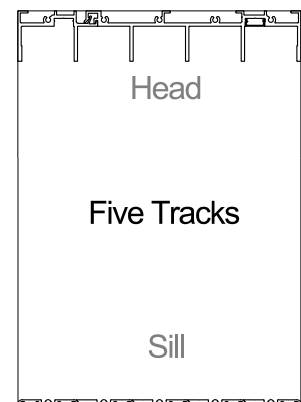
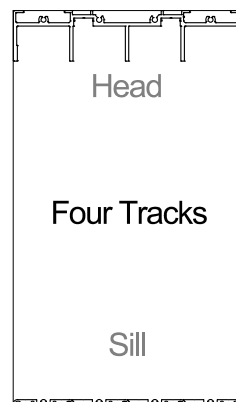
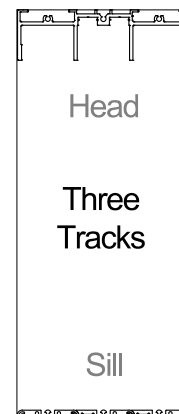
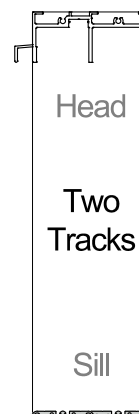
Locate ES-SGD2020-053 part on the exterior of the window

Locate ES-SGD2020-052 following ES-SGD2020-053 part and on the inside



Modulate ADA sill for each configuration

CONFIGURATIONS



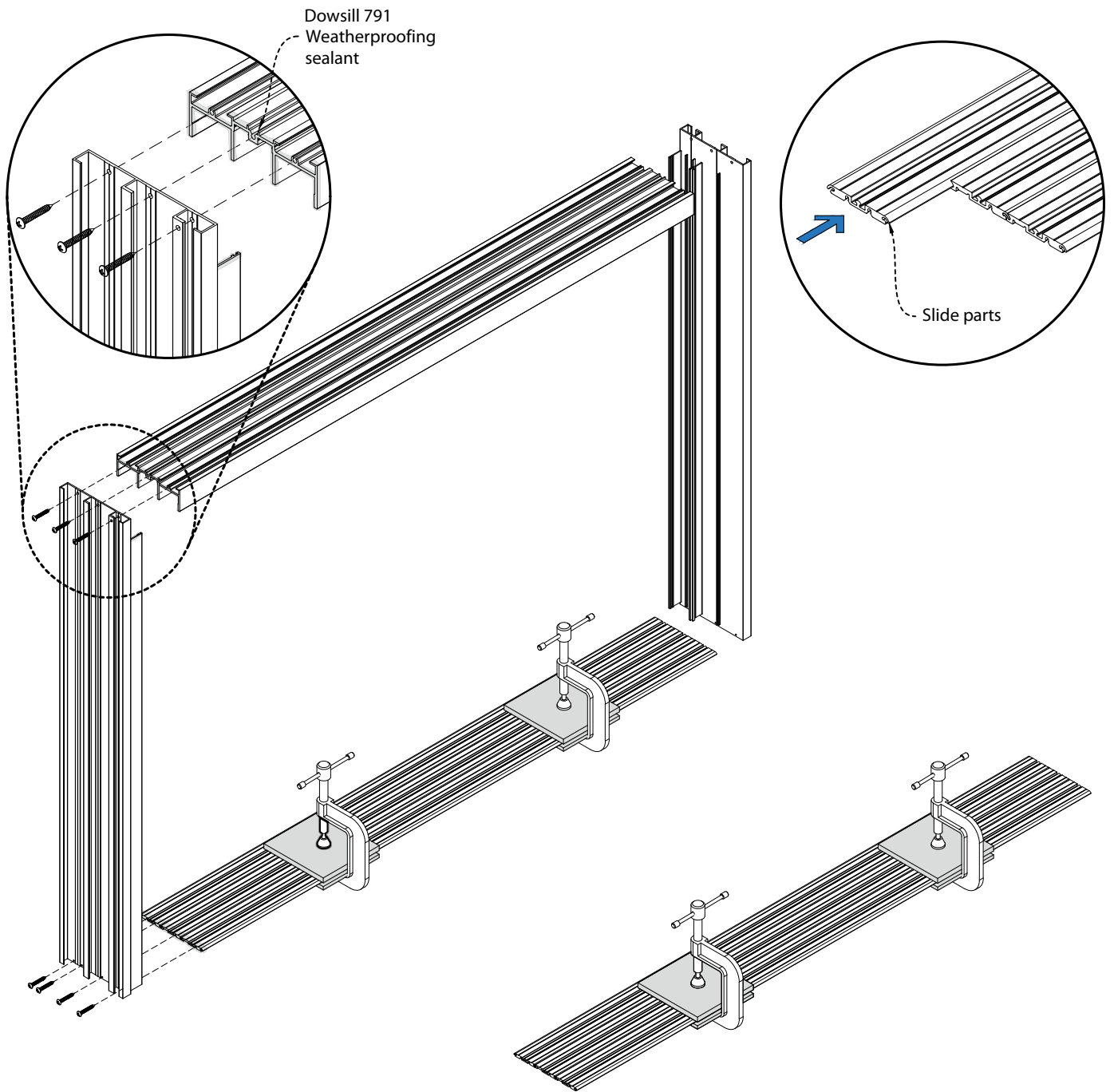
DETAIL 2.2.

INSTALLATION INSTRUCTIONS

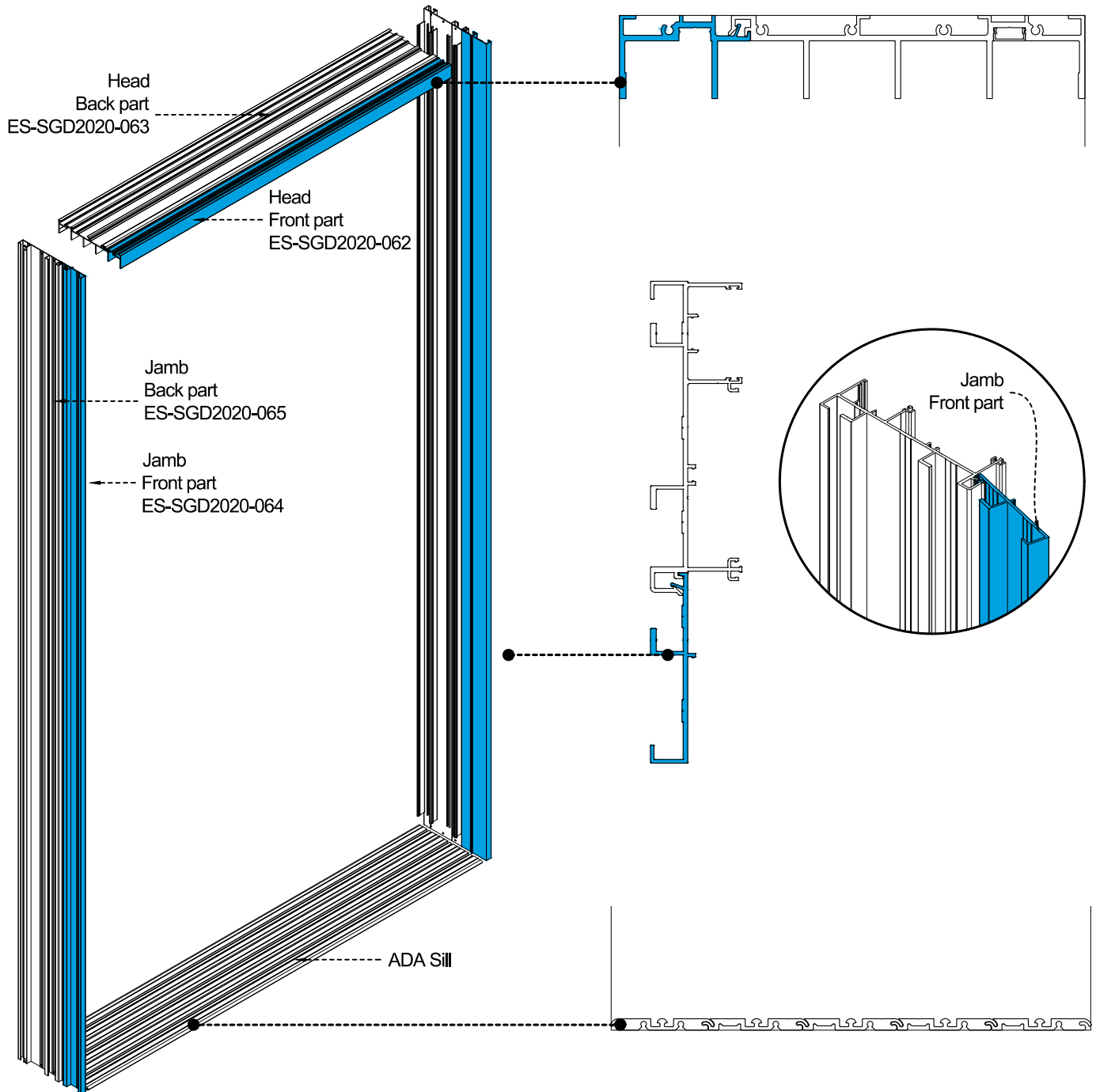
2.2. Clean frame surfaces to be in contact with sealant.

2.3. Verify shop drawings to assemble frame parts.

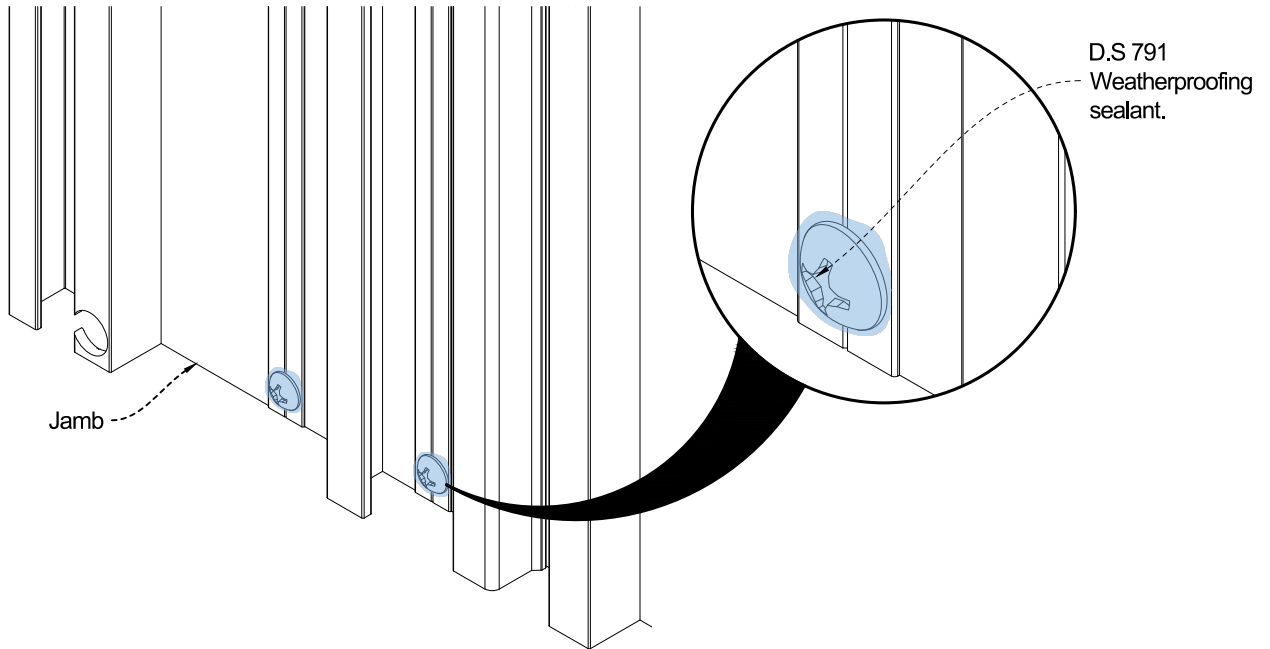
2.4. Assemble ADA sill sliding parts and Apply Dowsill 791 weatherproofing sealant to head and sill ends surfaces. Assemble the frame with #12 x 1 1/2"PH screws and tool sealant into joints.



2.5. For five tracks doors, two part jams, head and sill must be pre-assembled prior to frame assembly. Snap front and back parts for each profile as shown in detail below.



2.6. Apply weatherproofing sealant to the head and body of assembly screws.



ADA SILL

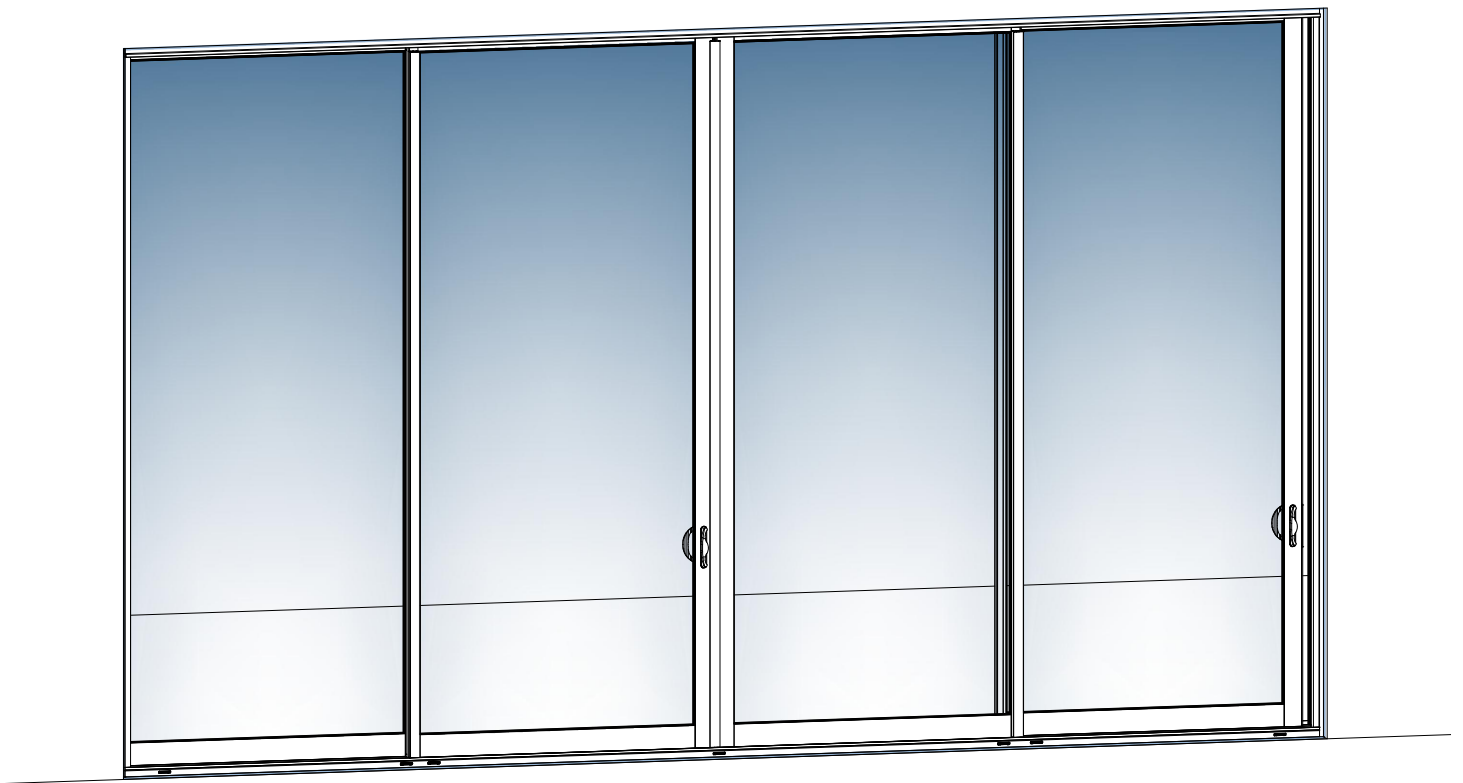
Proceed with the installation process performing following steps of standard door installation.

- STEP 3. Frame installation.
- STEP 6. Installation of covers
- STEP 7. Installation of pile pads.
- STEP 9. Installation of panels.
- STEP 10. Installation of astragals.
- STEP 11. Installation o handles.
- STEP 12. Installation of fixed panel clips.
- STEP 6. Installation of accessories.
- STEP 14. Perimeter seal.

POCKET DOORS ARE NOT AVAILABLE WITH ADA SILL.

INSTALLATION OF STANDARD DOOR

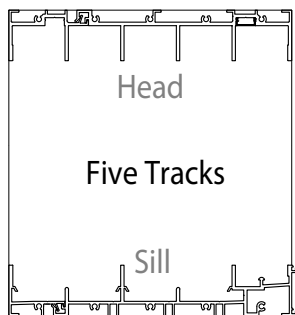
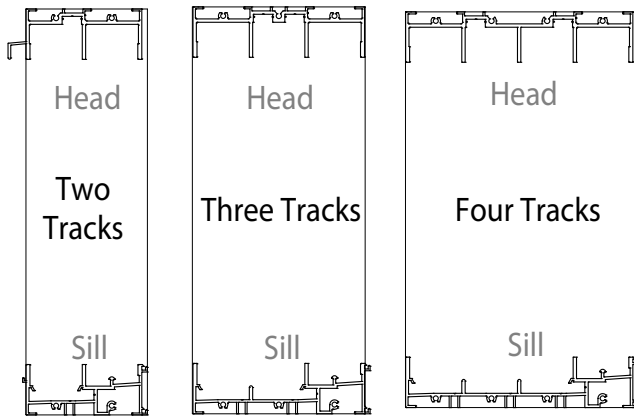
Please read following steps to install standard door configurations.



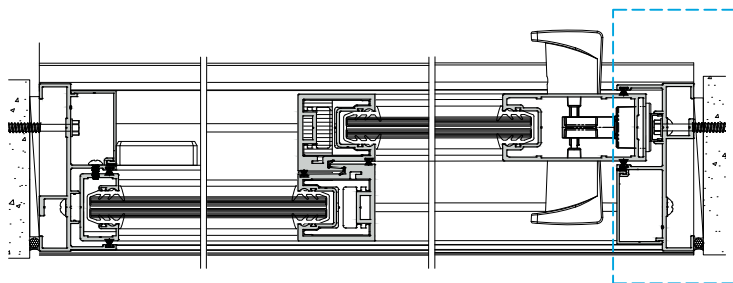
STEP 2

FRAME ASSEMBLY:

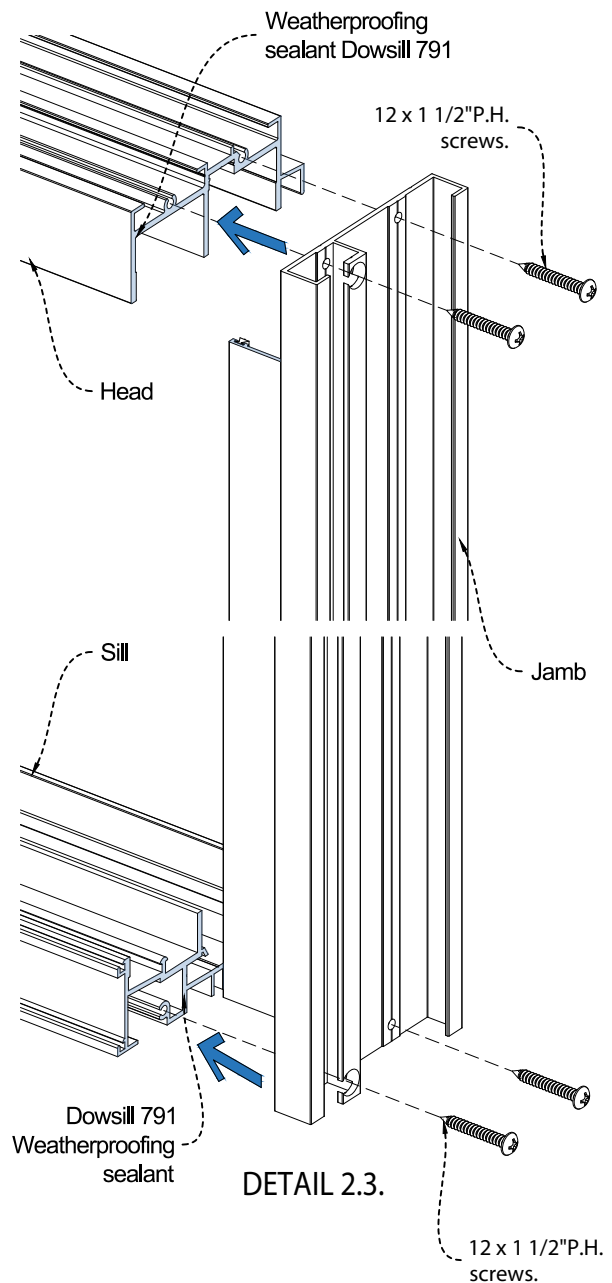
- 2.1. Clean frame surfaces to be in contact with sealant.
- 2.2. Verify shop drawings to assemble frame parts.
- 2.3. Apply Dowsill 791 weatherproofing sealant to head and sill ends surfaces. Assemble the frame with #12 x 1 1/2"PH screws and tool sealant into joints.



DETAIL 2.2.

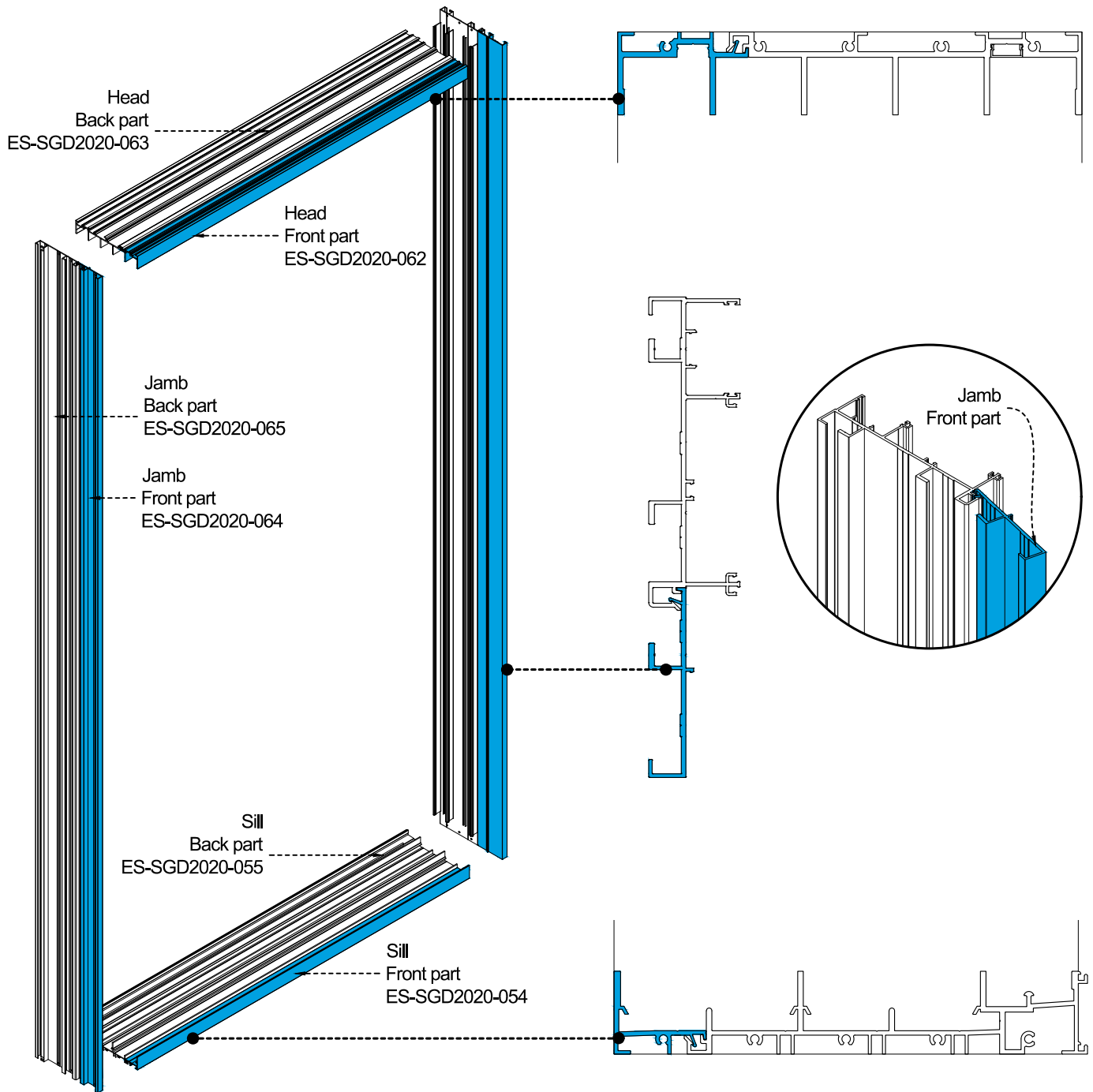


Verify shop drawings for the location of the jamb with the handle keeper.

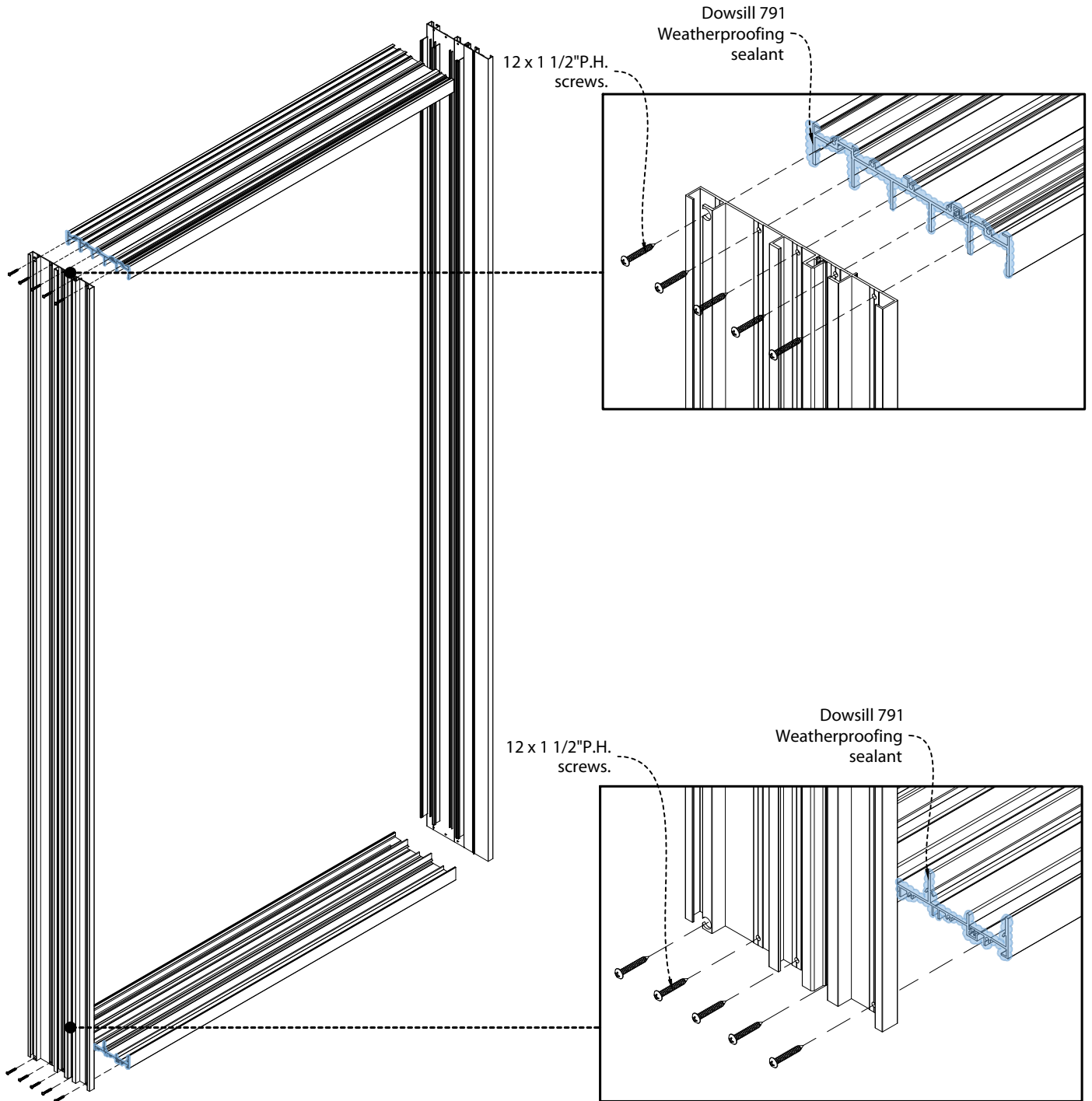


DETAIL 2.3.

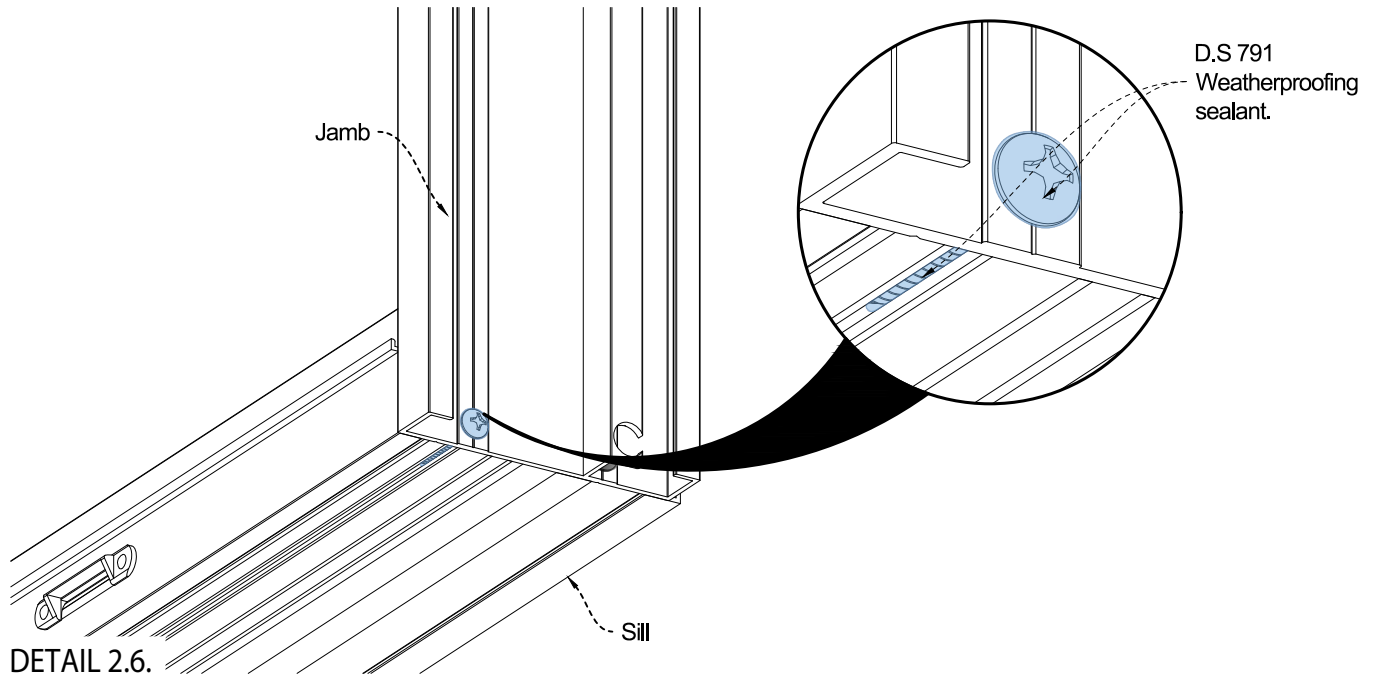
2.4. For five tracks doors, two part jambs, head and sill must be pre-assembled prior to frame assembly. Snap front and back parts for each profile as shown in detail below.



2.5. Repeat step 2.3. to assemble five tracks frame.

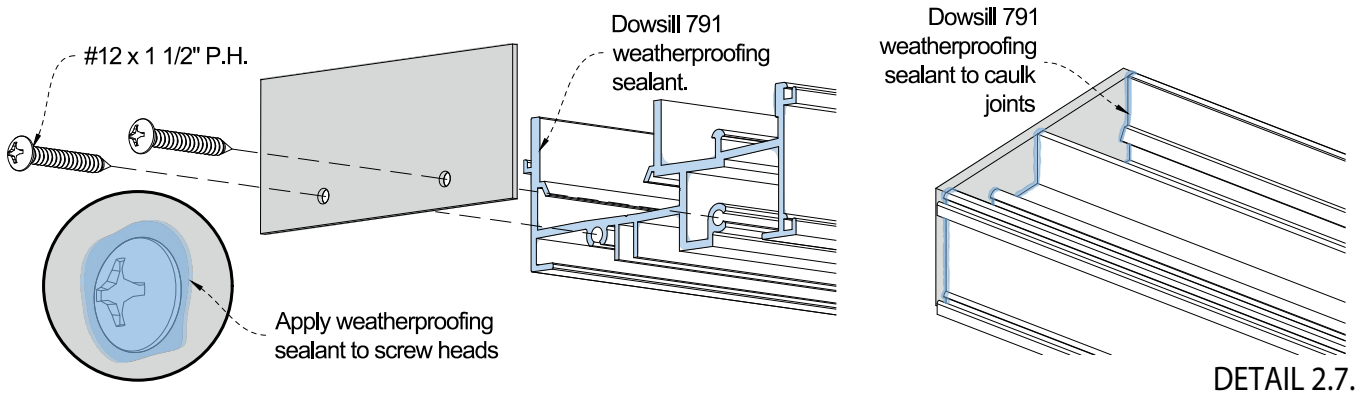
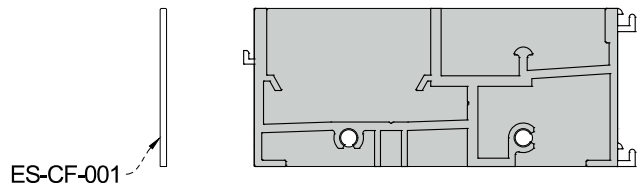


2.6. Apply weatherproofing sealant to the head and body of assembly screws.



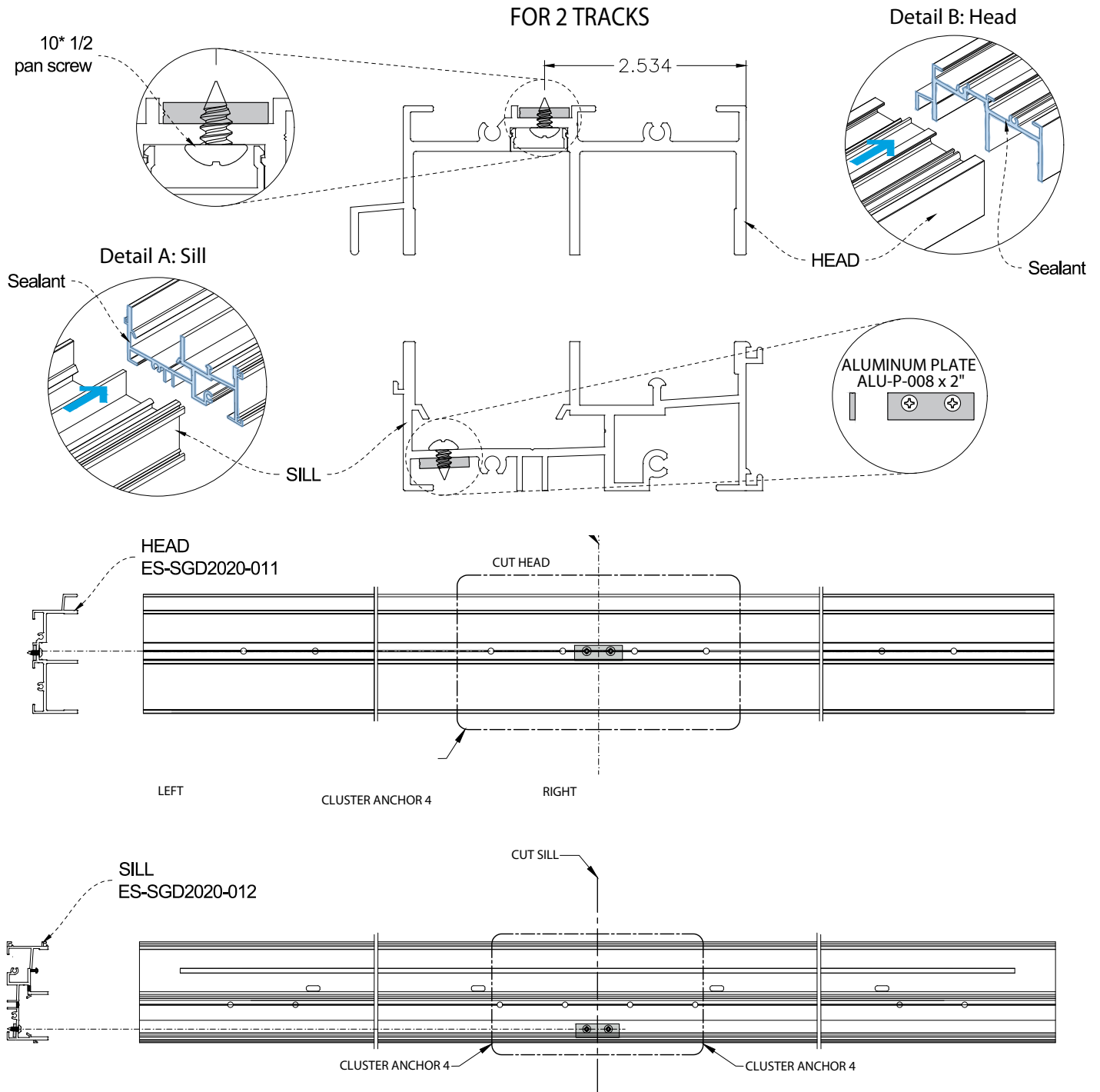
END DAM INSTALLATION FOR POCKET CONDITION:

2.7. For pocket configurations, customers can choose between assembling the frame with jambs on both sides or with an end dam on the pocket side. If end dam is chosen install as shown in detail



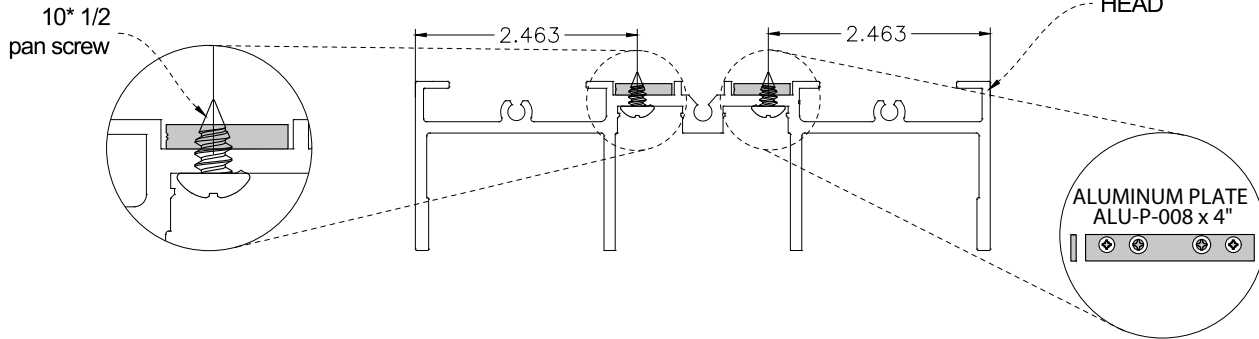
INTERRUPTED FRAME ASSEMBLY:

2.8. For the configurations that require an interrupted frame (head and sill) it is necessary to install apply weatherproofing sealant at the joint between sections as shown in details A-B. It is necessary to also install aluminum plates on the joints, as show in details below:

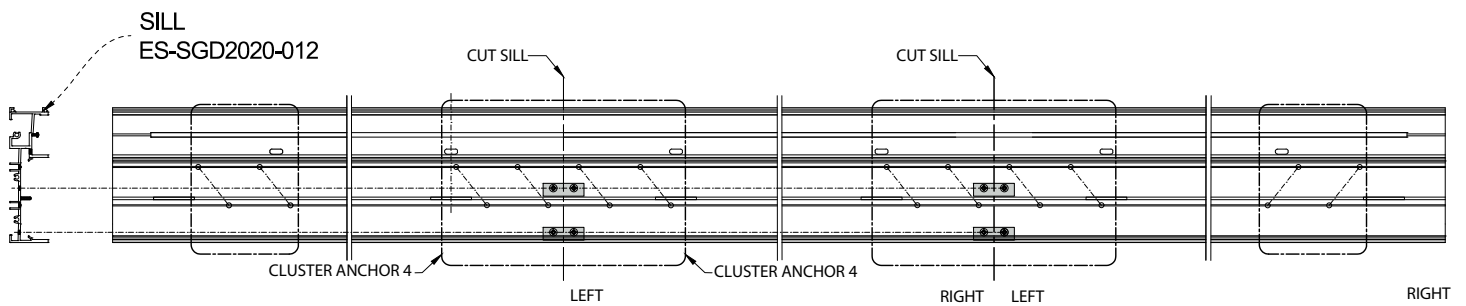
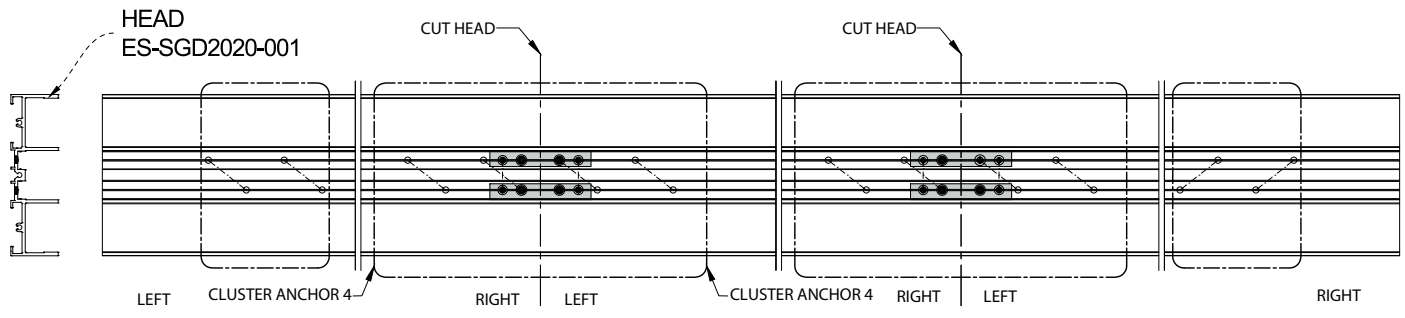
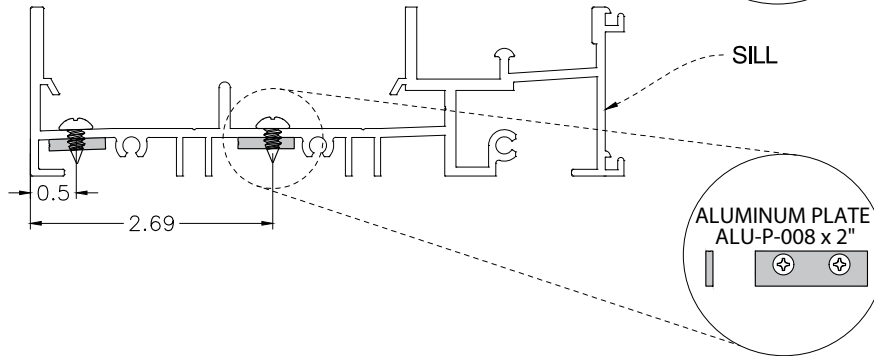


INTERRUPTED FRAME ASSEMBLY:

FOR 3 TRACKS

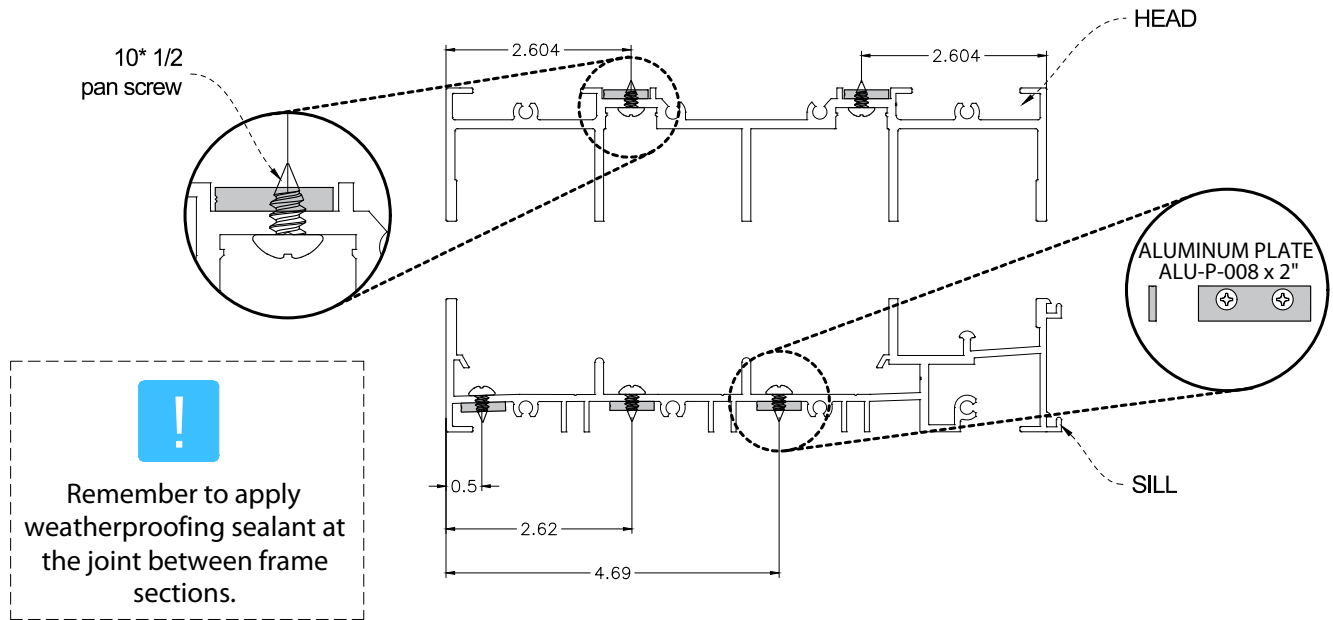


!
 Remember to apply weatherproofing sealant at the joint between frame sections.

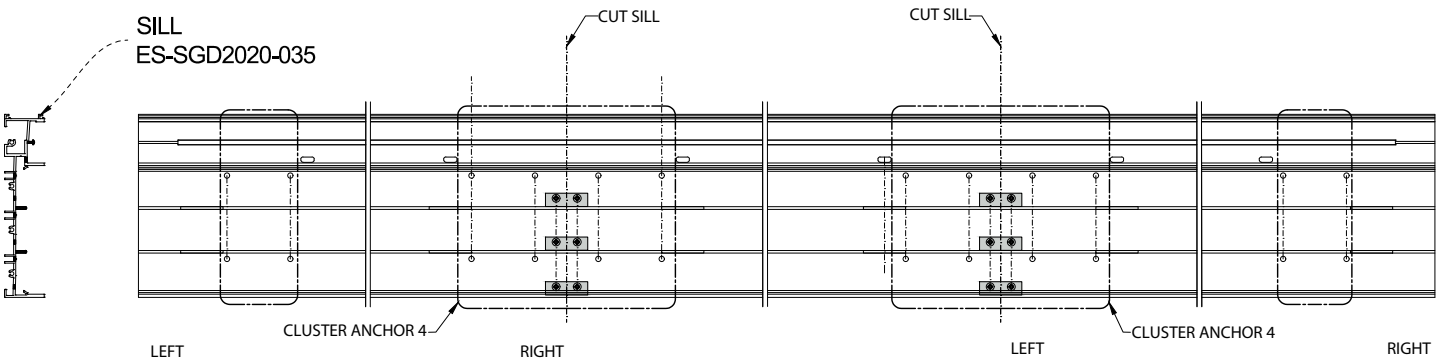
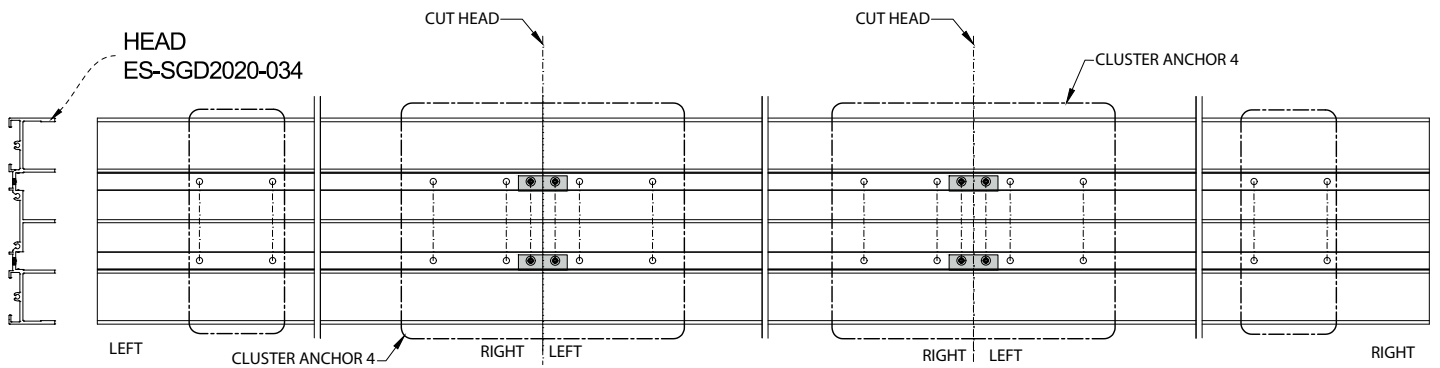


INTERRUPTED FRAME ASSEMBLY:

FOR 4 TRACKS



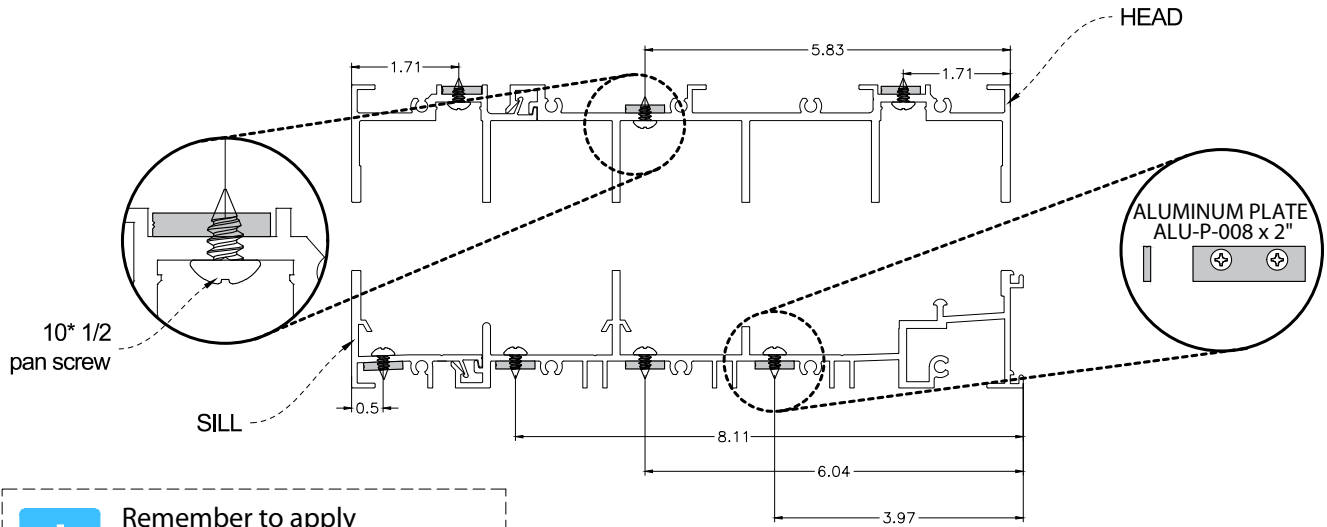
!
 Remember to apply weatherproofing sealant at the joint between frame sections.



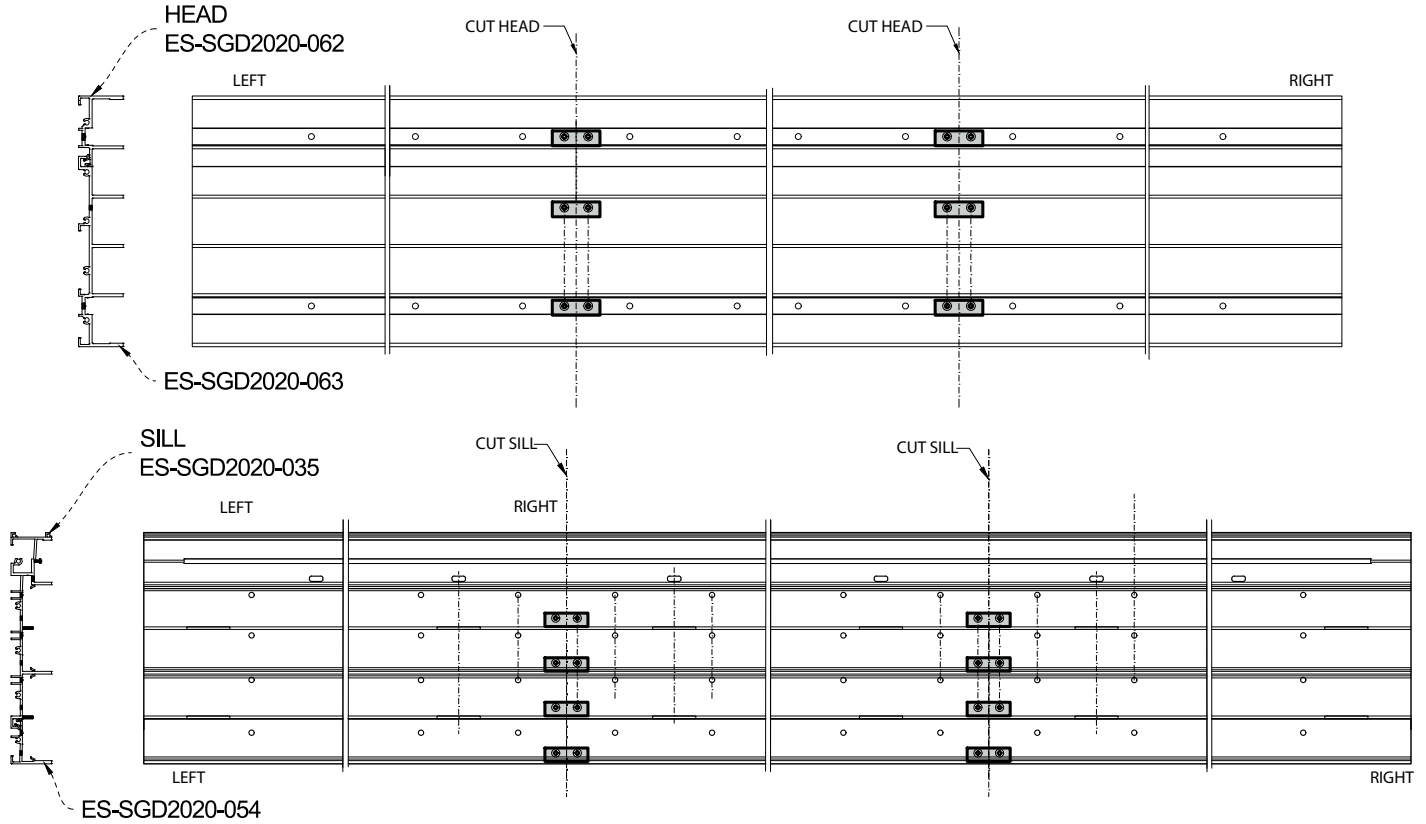
INSTALLATION INSTRUCTIONS

INTERRUPTED FRAME ASSEMBLY:

FOR 5 TRACKS

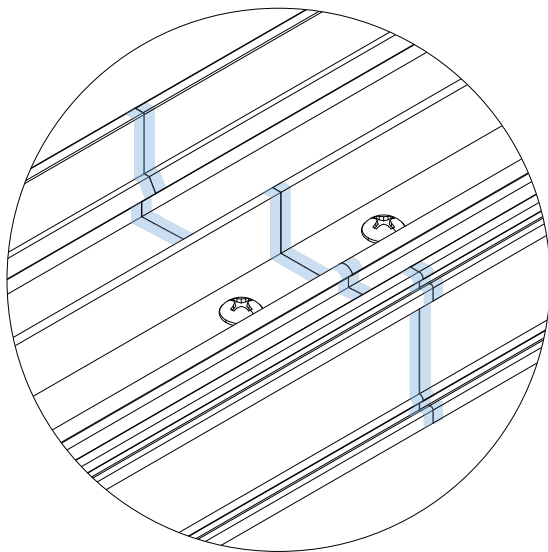


! Remember to apply weatherproofing sealant at the joint between frame sections.



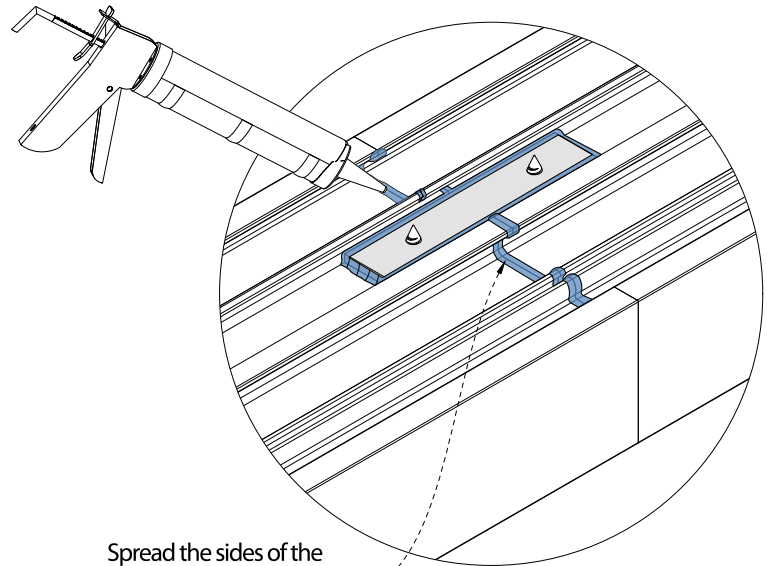
INTERRUPTED FRAME ASSEMBLY:

2.9. After joining the profiles, remove any sealant excess remaining on the inside part of the sill or head, tool and leave a thin layer of sealant.

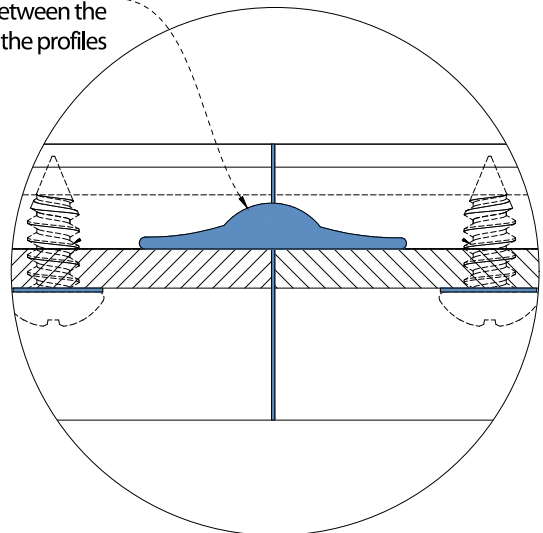


Detail 2.9. sill/head inner side

2.10. Flip the profile and apply weatherproofing sealant at the joints. Create a sealant cord and tool to create a seal of at least 1/8" to each side of the joint. This step is performed to reinforce the seal made previously.



Spread the sides of the sealant cord to create more adhesion between the sealant and the profiles



Detail 2.10. sill/head outer side sealant application



Perform this steps for all interrupted frame configurations

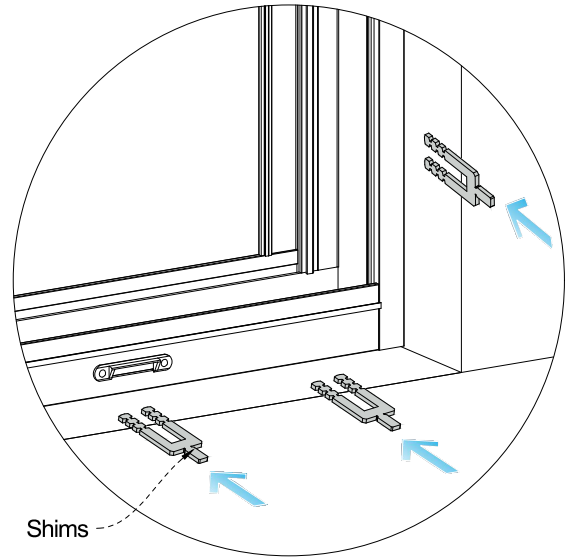
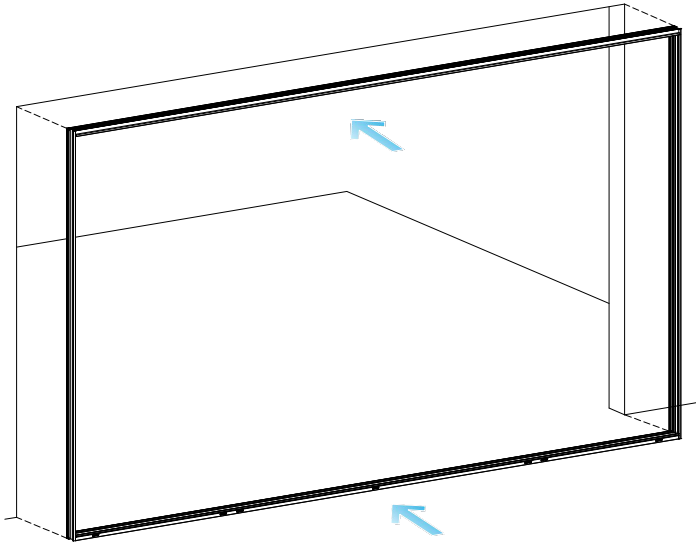
STEP 3

FRAME INSTALLATION:

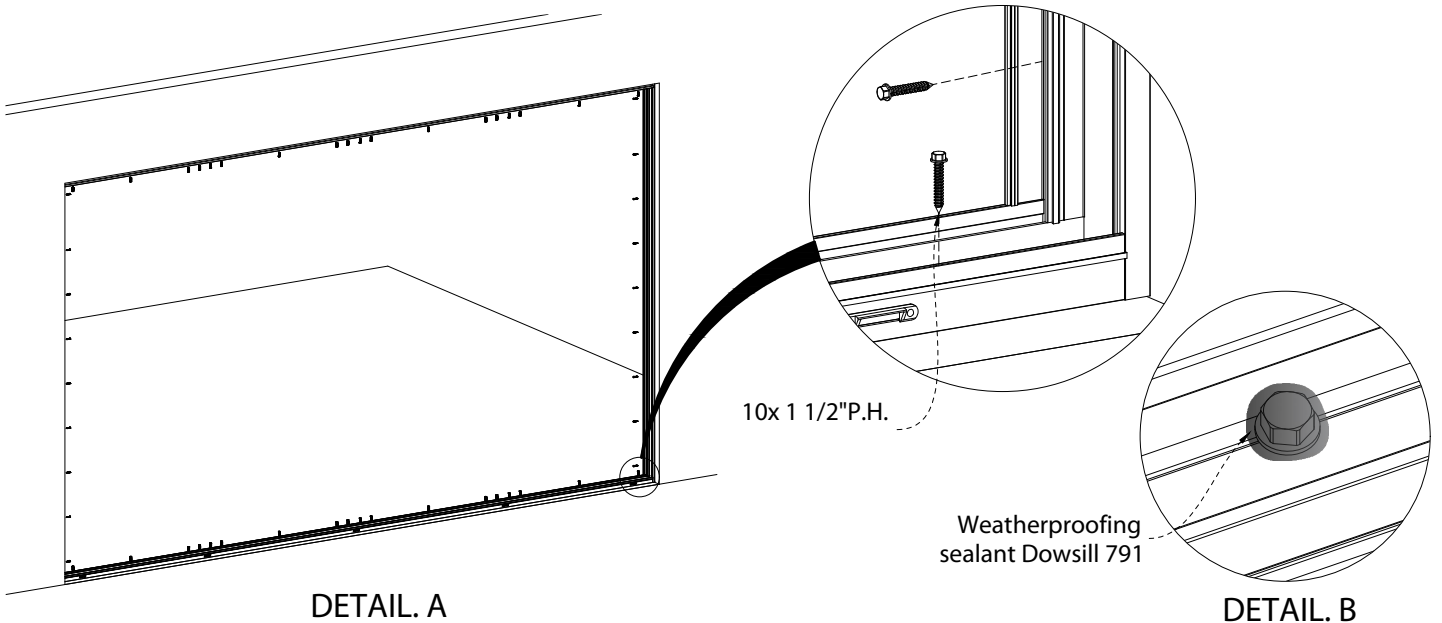


Use only high density plastic shims to level the frame.

3.1. Clean any debris and locate the frame in the opening. Shim as required.



3.2. Use frame holes as a guide to install anchor screw (Detail A). Apply sealant over sill screw heads (Detail B).



STEP 4

POCKET JAMB INSTALLATION (ONLY IF REQUIRED):

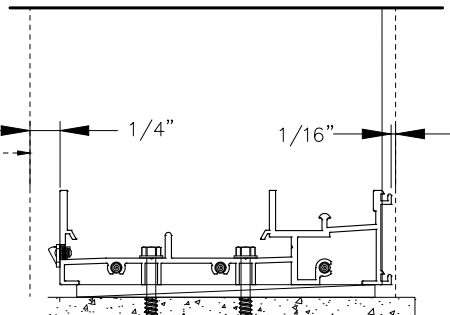
4.1. Verify shop drawings to identify pocket jamb configuration (pocket-pocket, pocket-jamb or jamb-pocket).



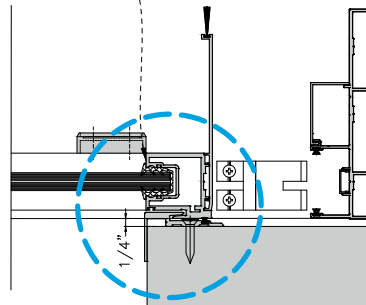
Verify that the opening is perfectly aligned and leveled. Otherwise do not proceed with the installation.

Outside pocket distance between the wall and the sill must be of 1/4"

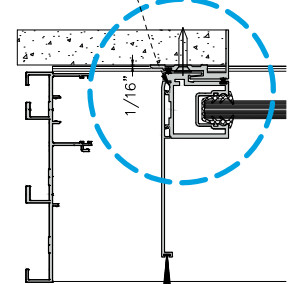
Inside pocket distance between the wall and the sill must be of 1/16"



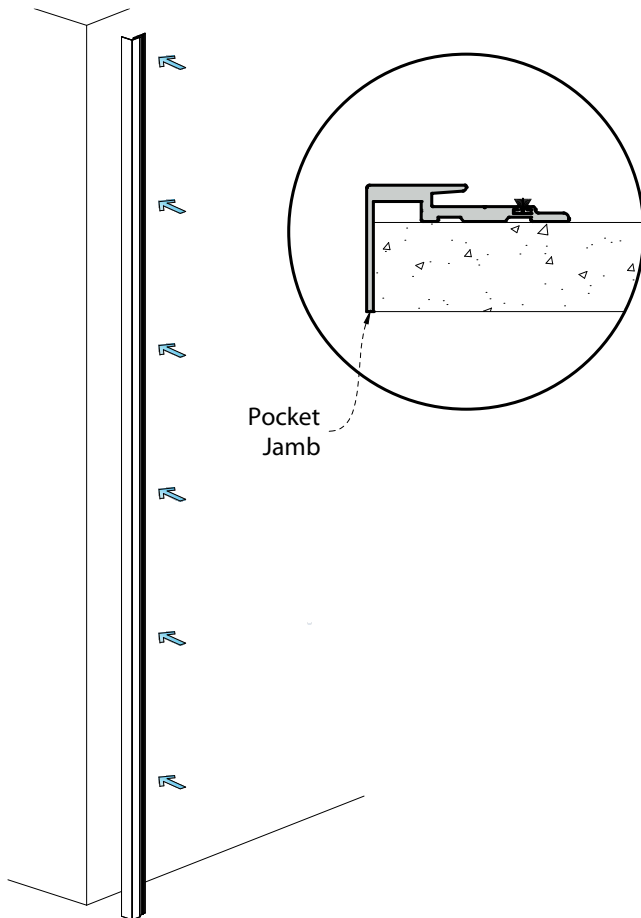
Outside Pocket Jamb



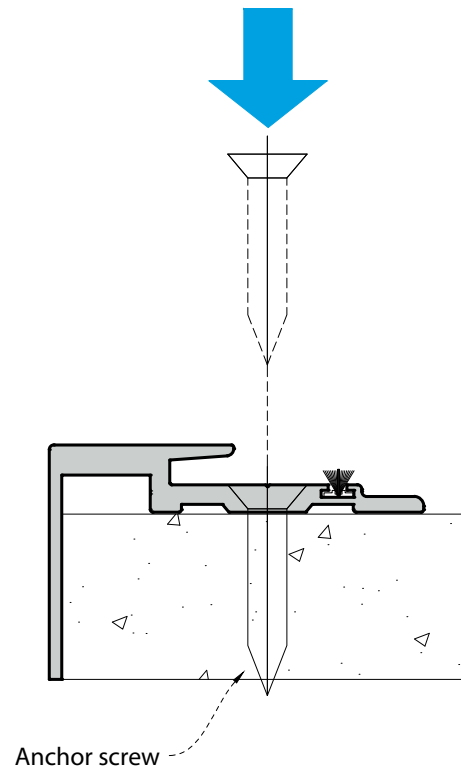
Inside Pocket Jamb



4.2. Place the pocket jamb in the wall as shown in detail below.



4.3. Attach pocket jamb with the anchor screws.

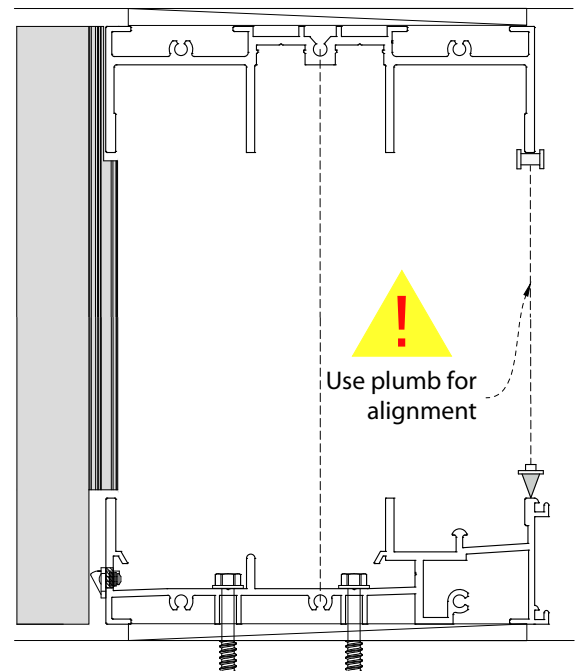
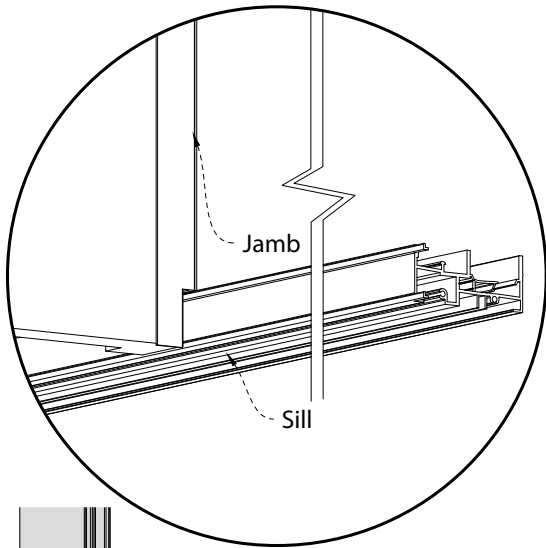




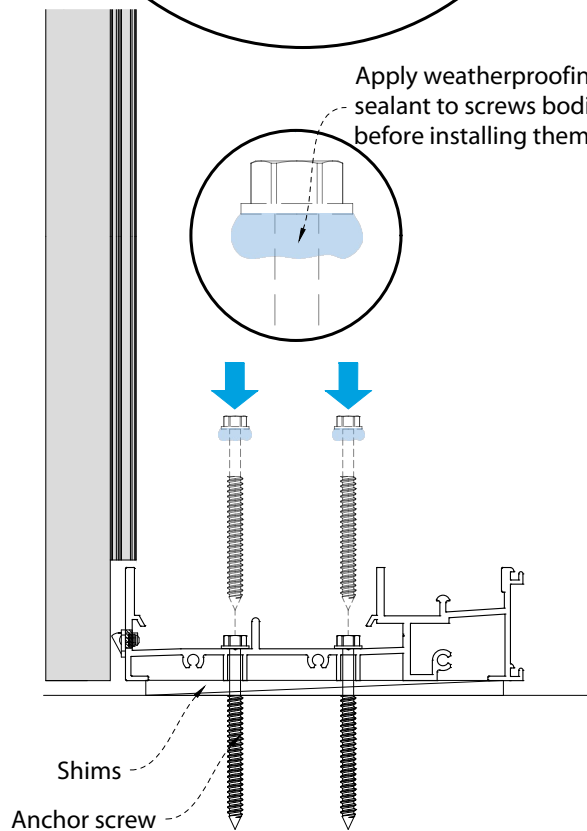
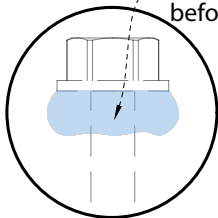
For configurations with jamb assemble frame previously as describes on step 3. For configurations without jambs head and sill must be install separately and aligned in place as follow.

4.4. Place sill under the jamb and shim as required to level. Install anchor screws.

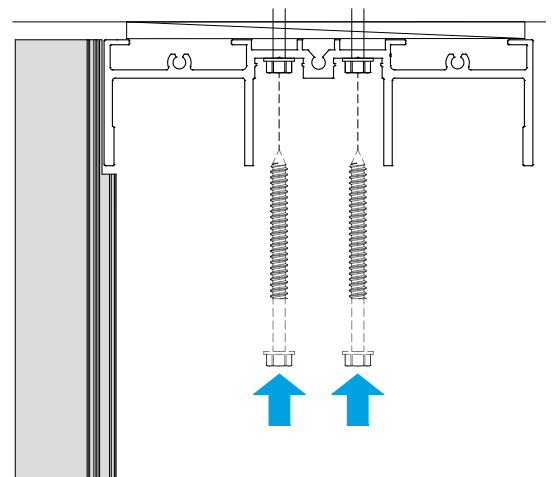
4.5. Place head and shim as required. Head and sill profiles should be aligned as shown in detail below.



Apply weatherproofing sealant to screws bodies before installing them.



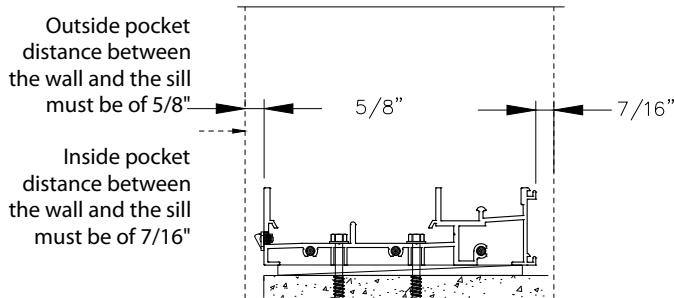
4.6. Install anchor screws as show in detail below.



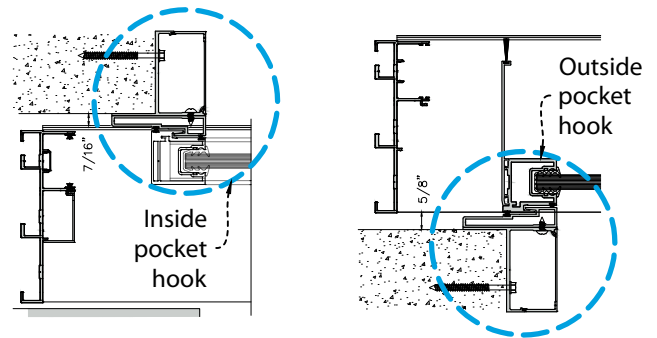
STEP 5

POCKET HOOK INSTALLATION (ONLY IF REQUIRED):

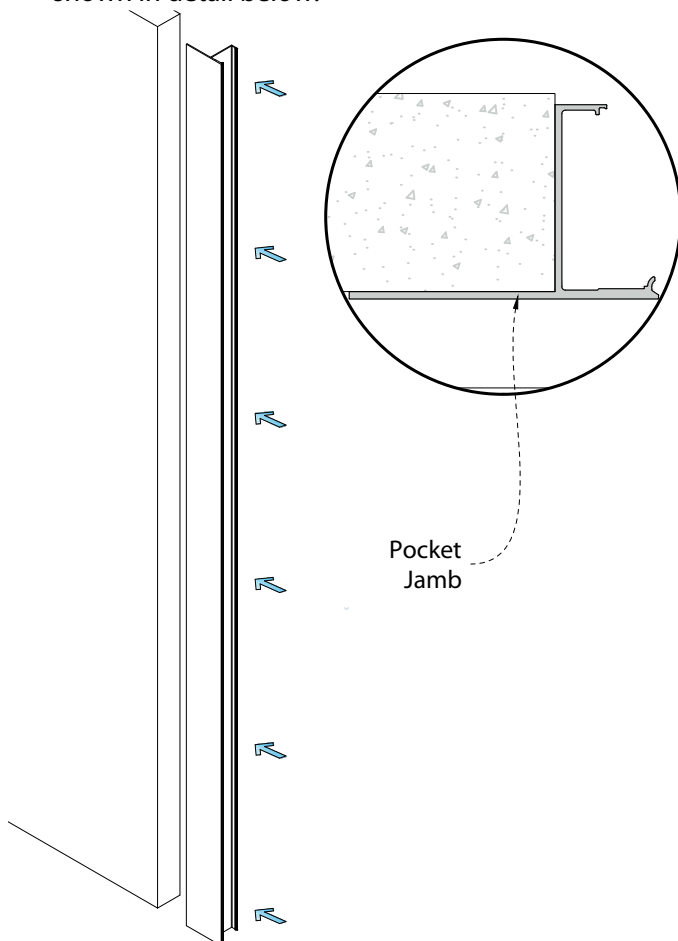
- 5.1. Verify shop drawings to identify pocket hook configuration (pocket hook-pocket hook, pocket hook-jamb or jamb-pocket hook).



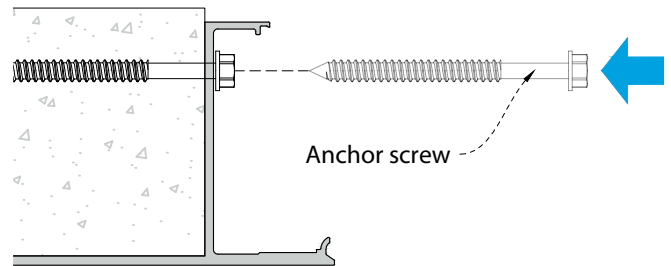
! Verify that walls are perfectly aligned and leveled otherwise do not proceed with the installation.



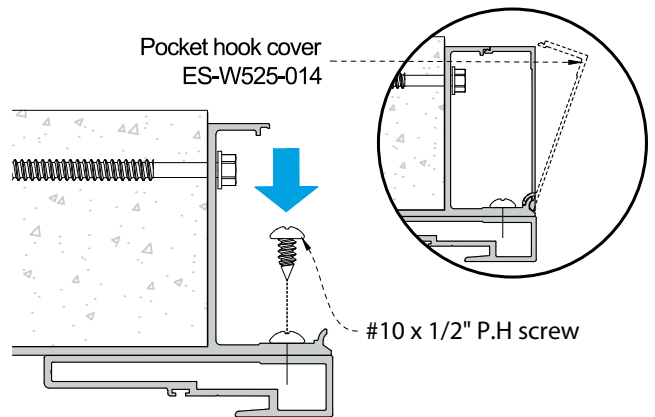
- 5.2. Place the pocket hook base in the wall as shown in detail below.



- 5.3. Attach pocket hook base with the anchor screws.



- 5.4. Attach pocket hook with # 10 x 1/2" P.H screws and install covers as shown in detail below.

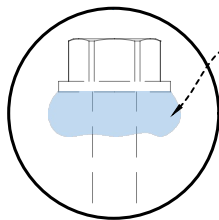
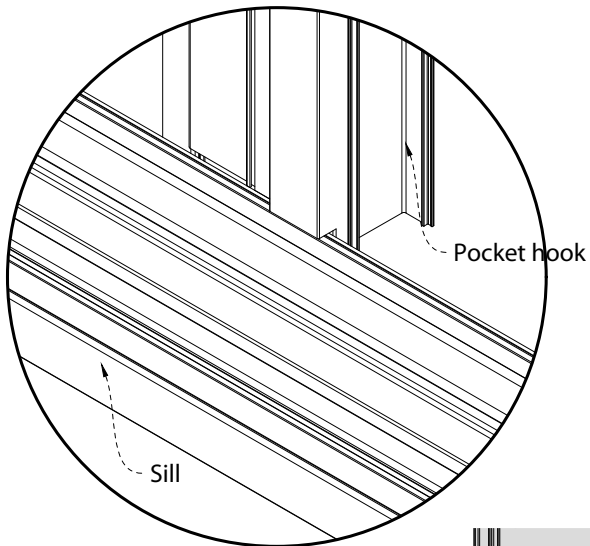


INSTALLATION INSTRUCTIONS

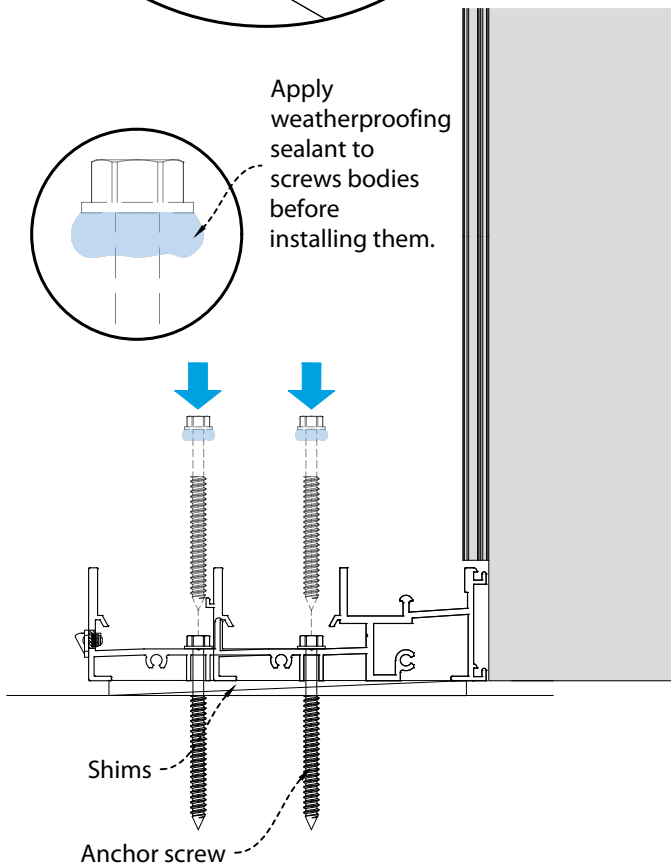


For configurations with jamb assemble frame previously as describes on step 3. For configurations without jambs head and sill must be install separately and aligned in place as follow.

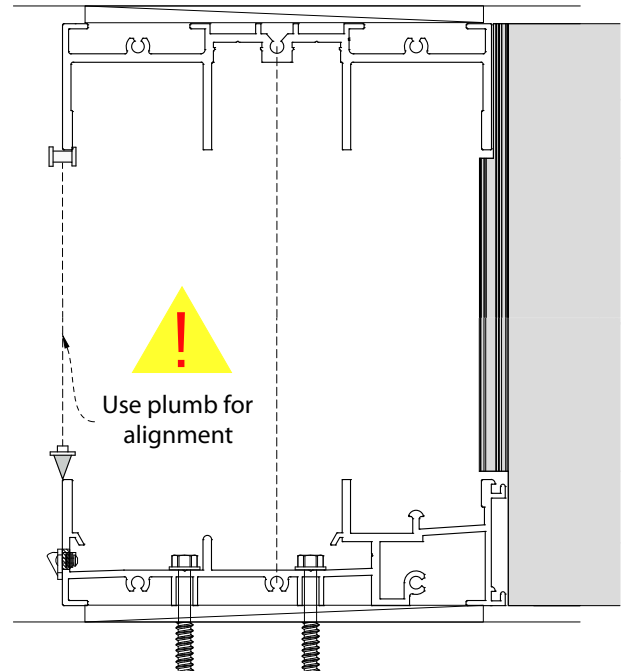
5.5. Place sill under the pocket hook and shim as required to level. Install anchor screws.



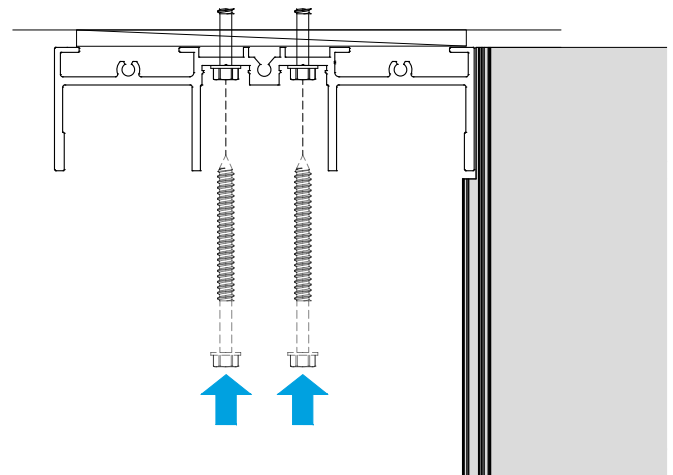
Apply weatherproofing sealant to screws bodies before installing them.



5.6. Place head and shim as required. Head and sill profiles should be aligned as shown in detail below.



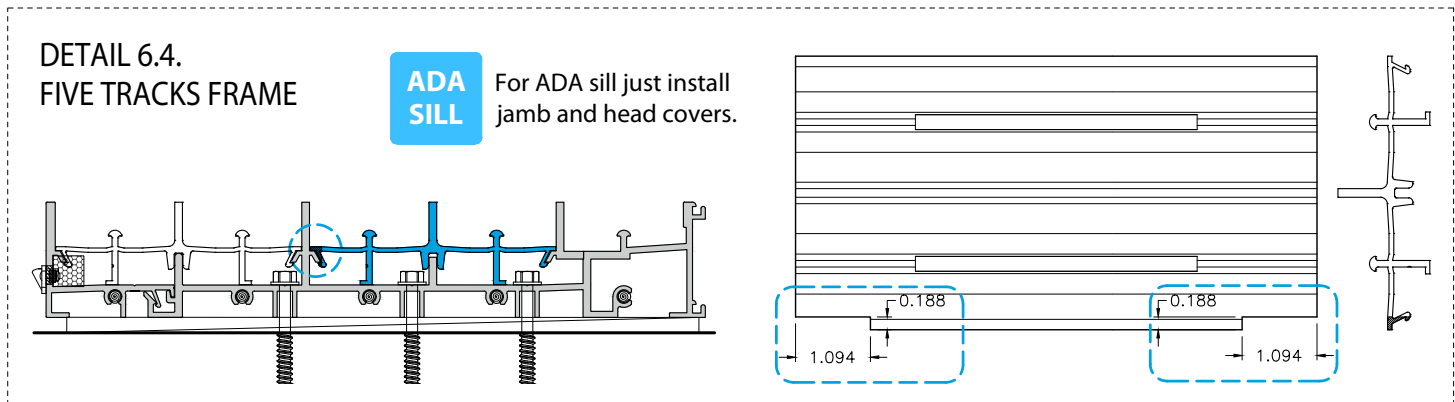
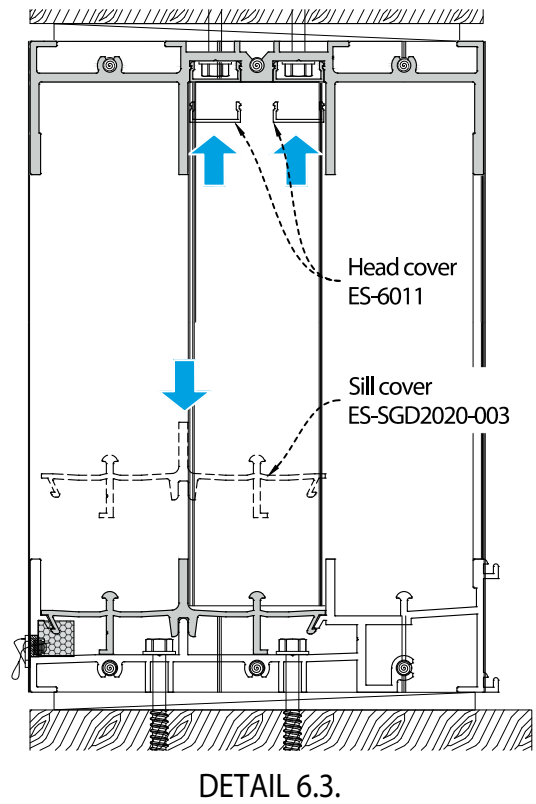
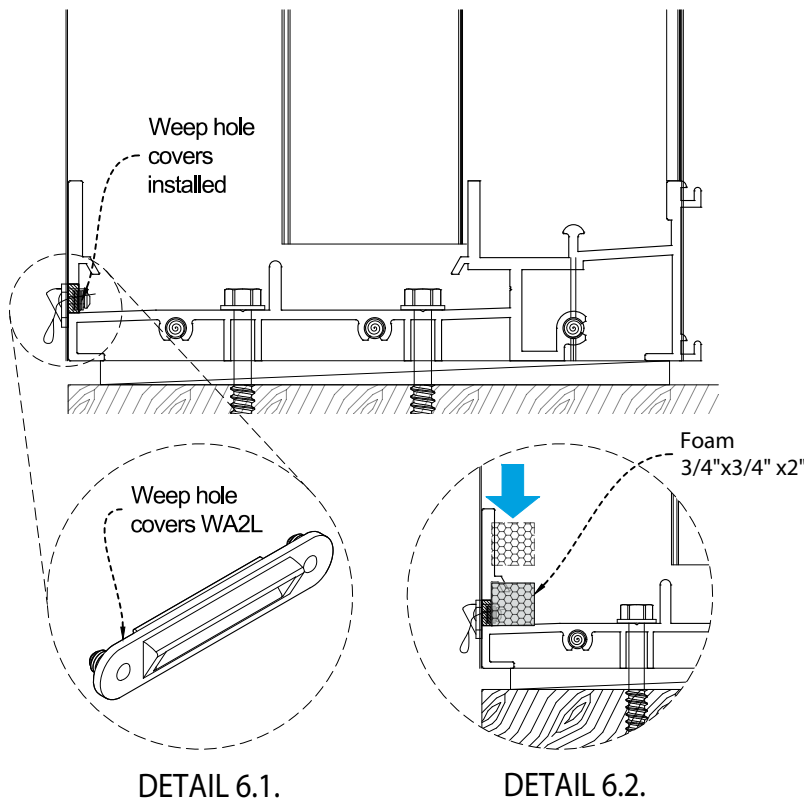
5.7. Install anchor screws as show in detail below.



STEP 6

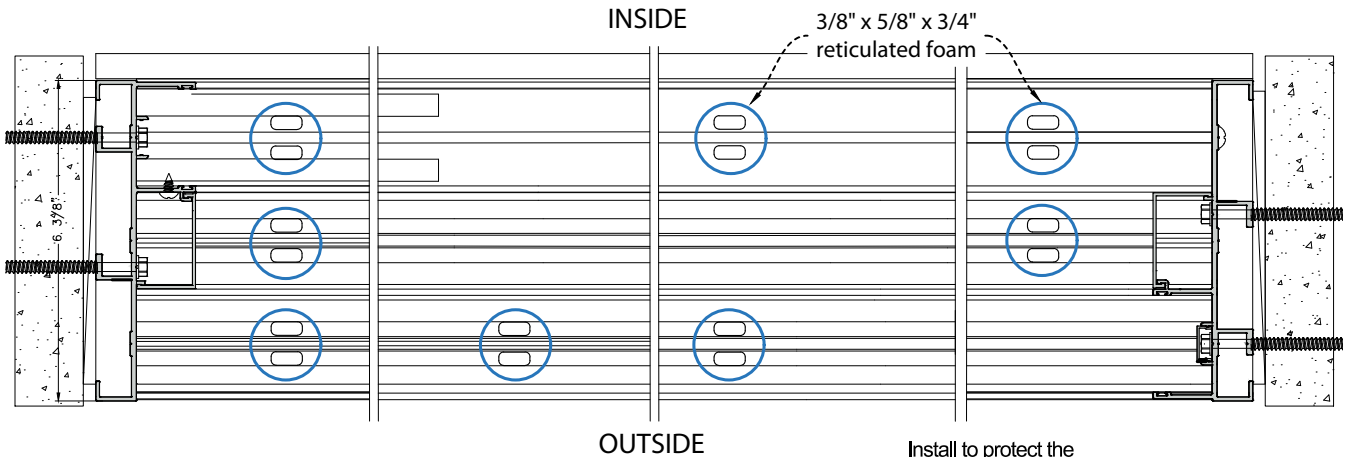
INSTALLATION OF COVERS:

- 6.1. Verify that weep holes covers are installed at each weep hole. If required install weep hole covers.
- 6.2. Install a retic foam "30PPI WPSA-N1" (3/4"x3/4" x2") behind each weep hole, as shown in detail 6.2.
- 6.3. Install head and sill covers as shown in detail 6.3.
- 6.4. For five tracks sliding glass doors make sure to locate notched sill cover on the inner rail as shown in detail 6.4.

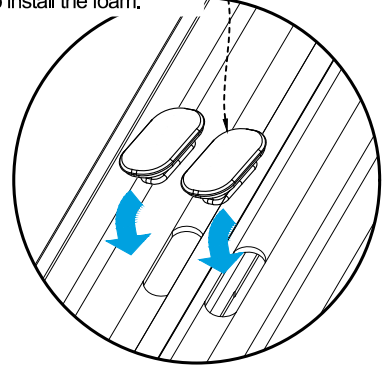




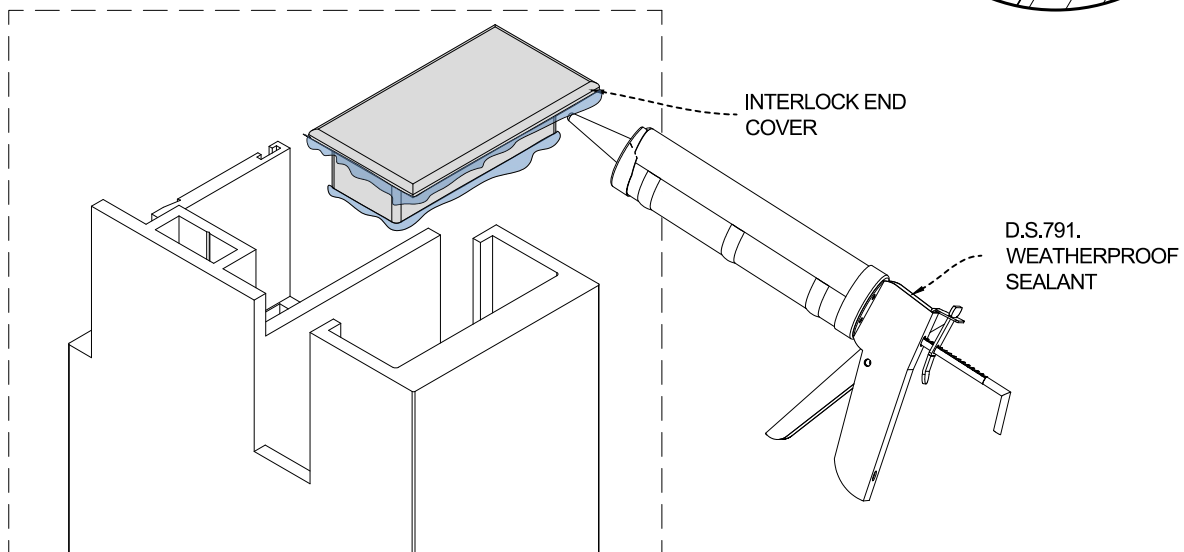
Protect the weep holes with the plugs (EMP-737) during the installation process and until the construction is completed.



Install to protect the weep holes and remove to install the foam.



FOR CONFIGURATIONS WITH HEAVY REINFORCED INTERLOCKS, INSTALL INTERLOCK EN COVER ON TOP BEFORE INSTALLING THE PANELS.



STEP 7

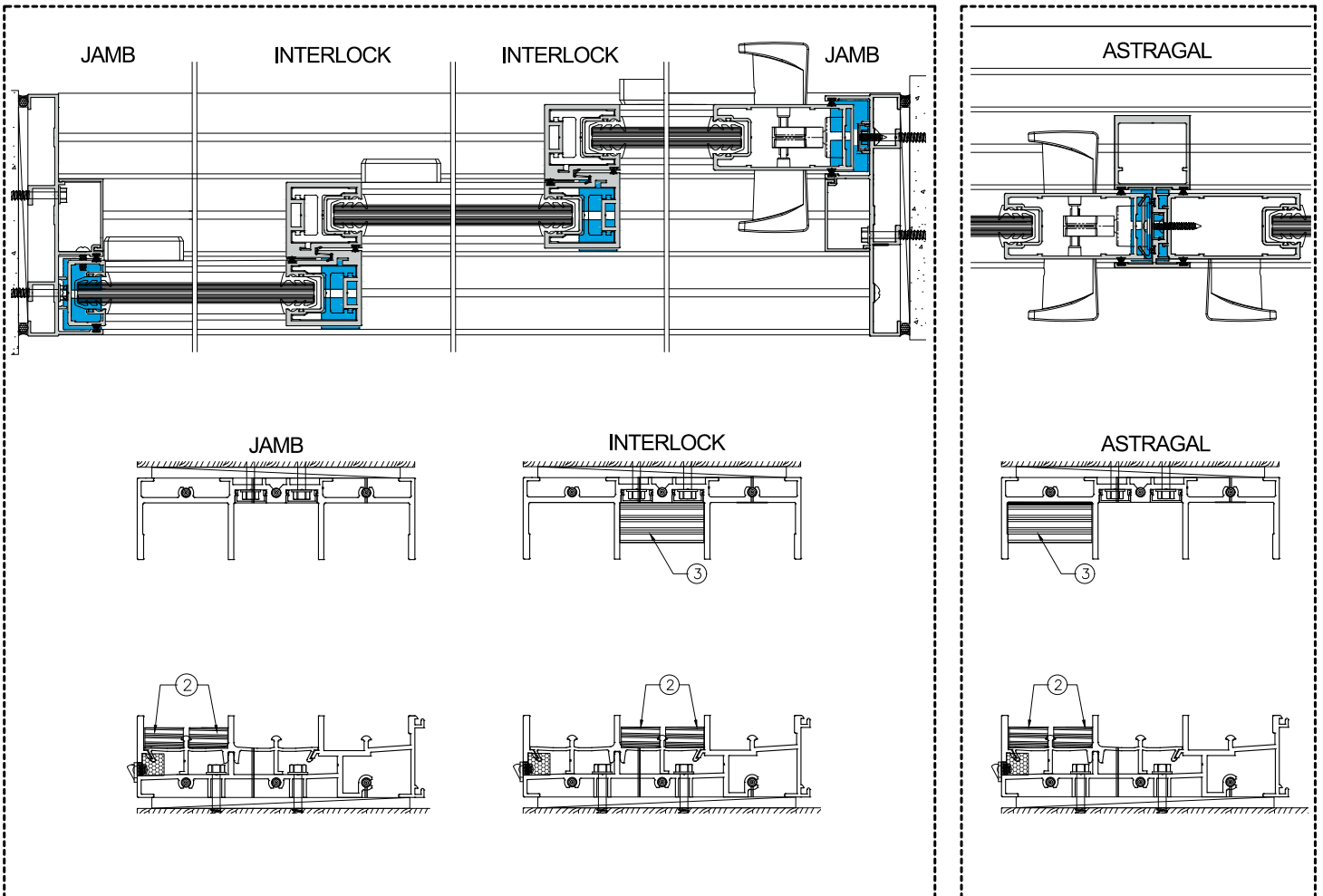
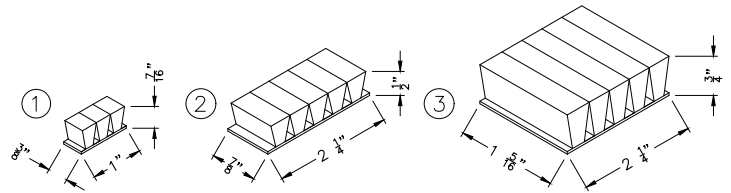
INSTALLATION OF PILE PADS

ADA SILL

For ADA sill just install pile pads at the head.

7.1. Clean frame and install pile pads at head and sill where interlock, astragals, jambs and lock stiles will be located. Follow detail below.

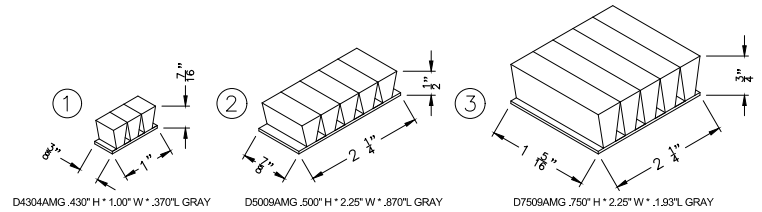
PILE PADS



INSTALLATION INSTRUCTIONS

7.2. Install pile pads at top and bottom of interlock and at pocket jamb bottom.

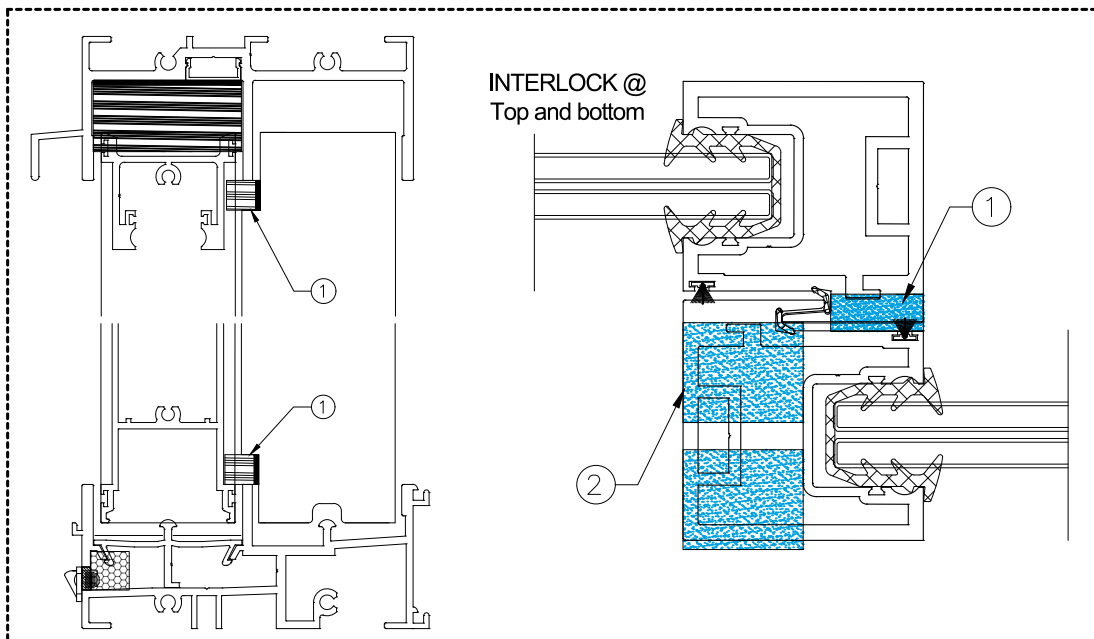
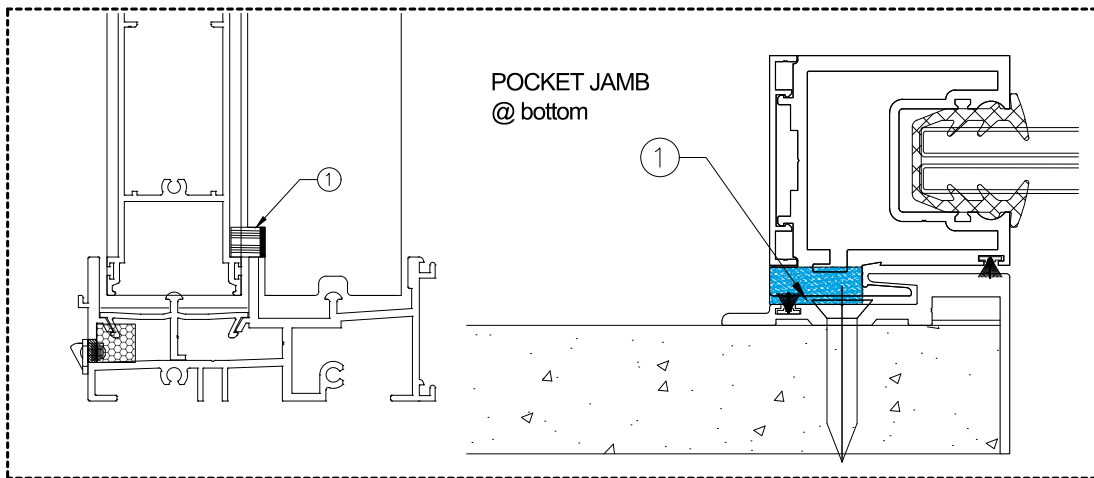
PILE PADS



For a clear finish sill, install grey plush only on the sill.



For grey sill finish frame, install grey plush on the head and sill according to the technical specifications.

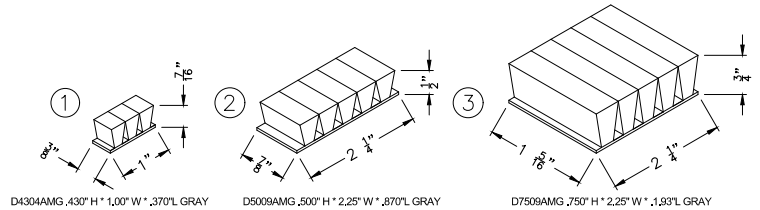


7.2.A. For 90° corner astragals, install pile pads at head and sill as shown in the detail below.

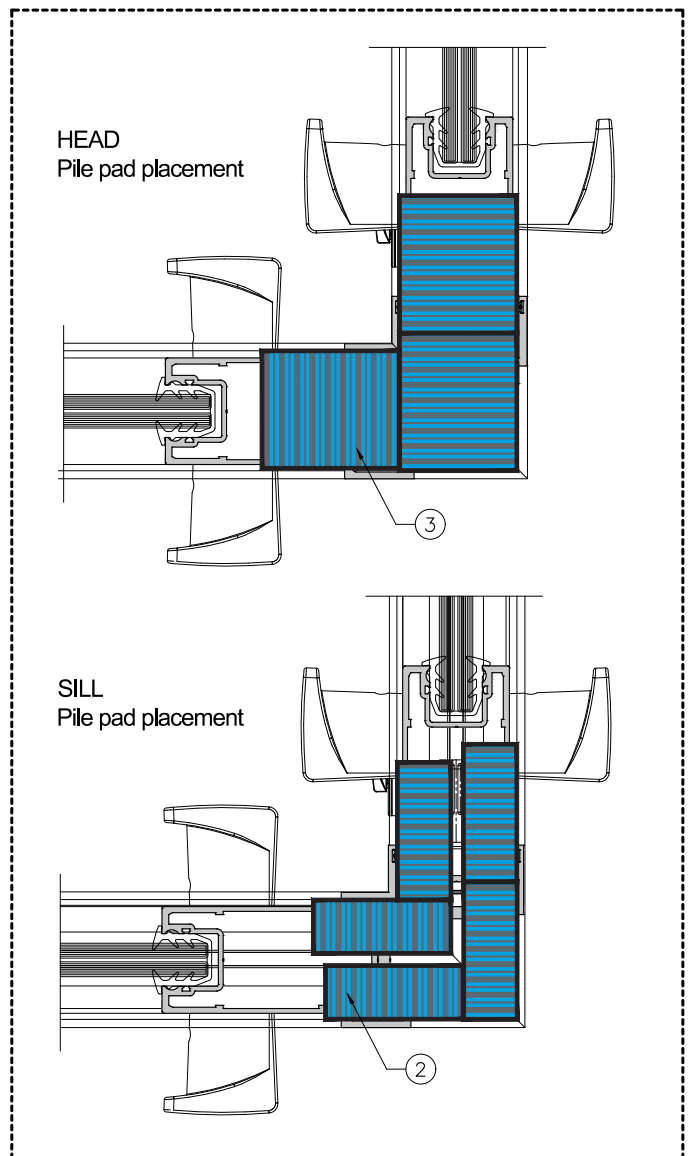
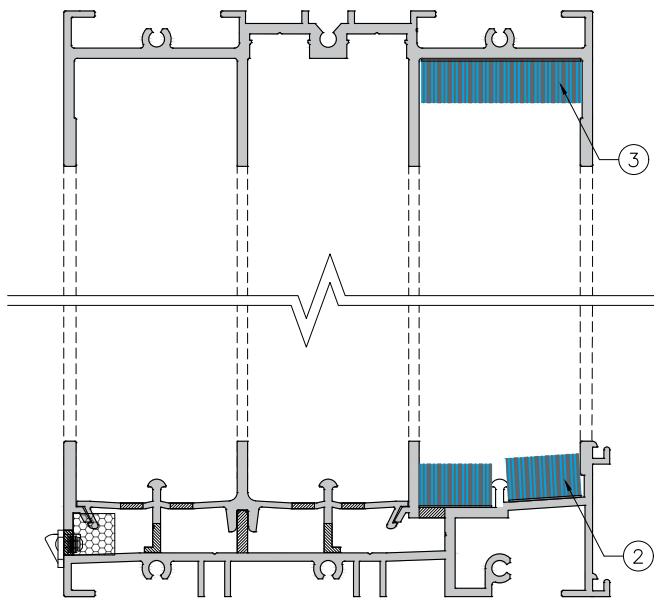
! For a clear finish sill, install grey plush only on the sill.

! For grey sill finish frame, install grey plush on the head and sill according to the technical specifications.

PILE PADS



HEAD AND SILL Section view



INSTALLATION INSTRUCTIONS

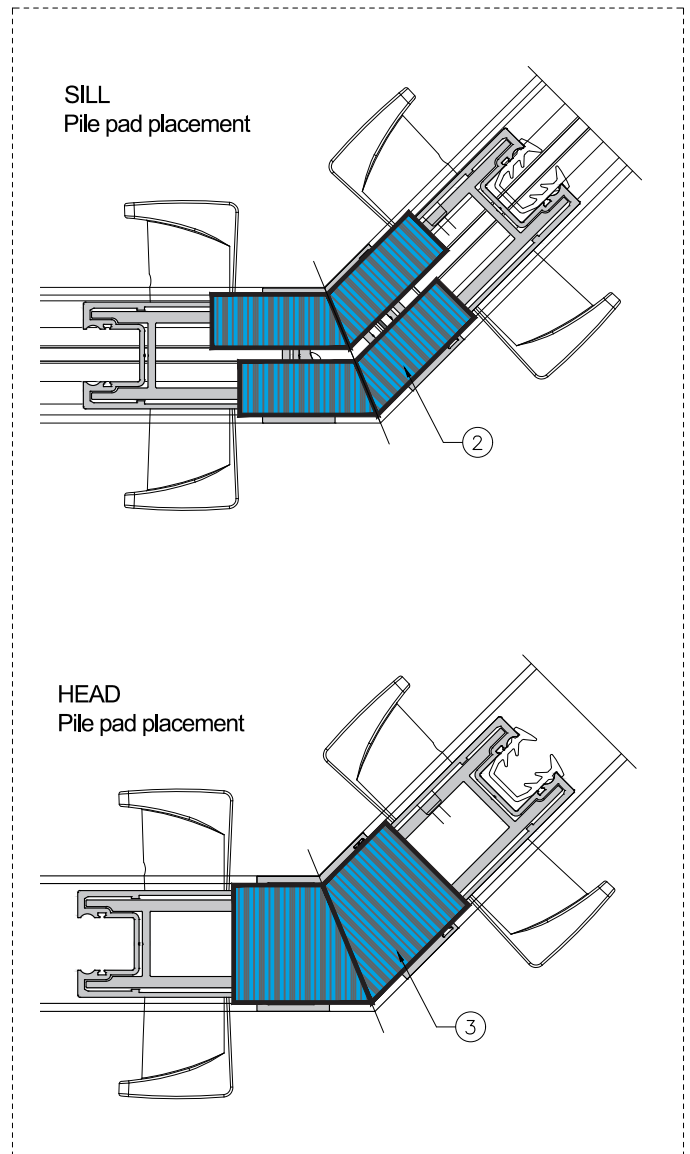
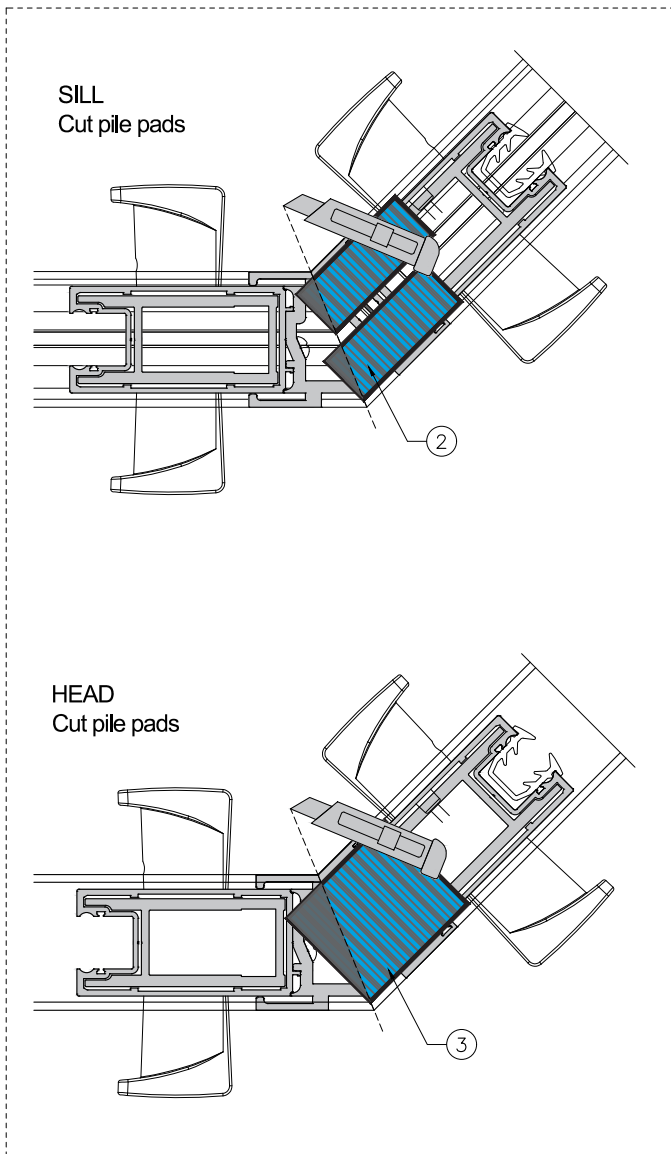
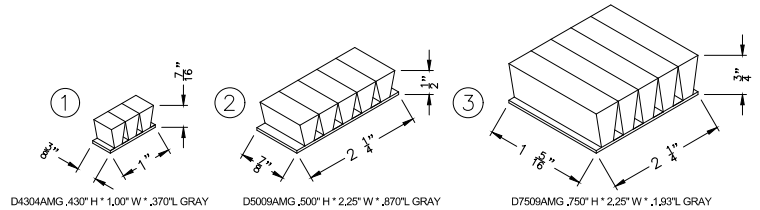
7.2.B. For angle astragals, Cut and install pile pads at top and bottom as shown in the detail below



For a clear finish sill, install grey plush only on the sill.



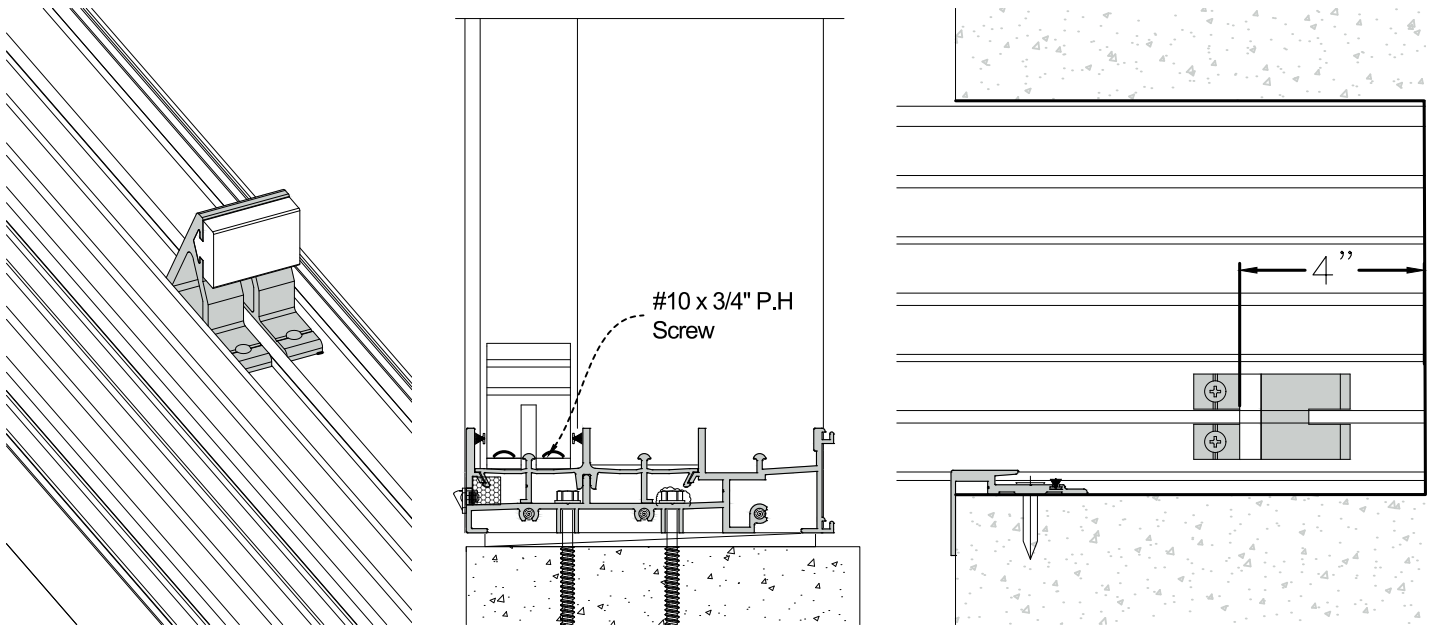
For grey sill finish frame, install grey plush on the head and sill according to the technical specifications.



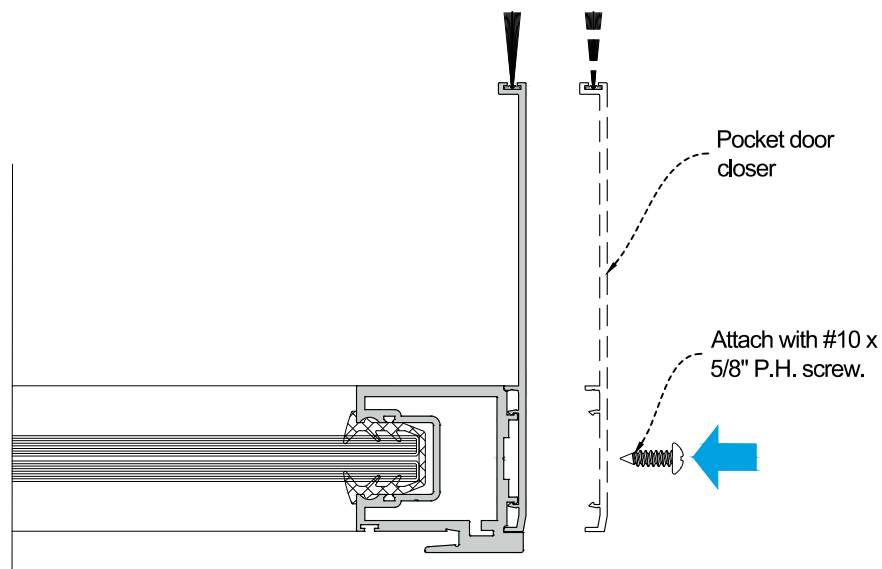
STEP 8

INSTALLATION OF SGD-1600 BUMPER AND POCKET DOOR CLOSER (ONLY FOR POCKET DOORS) :

8.1. Install pocket door bumper SGD-1600 prior to panels installation with #10 x 3/4" P.H. screw as shown in detail below. Locate bumper 4" from the wall.



8.2. Install pocket door closer prior to panels installation with #10 x 5/8" P.H. screw as shown in detail below.

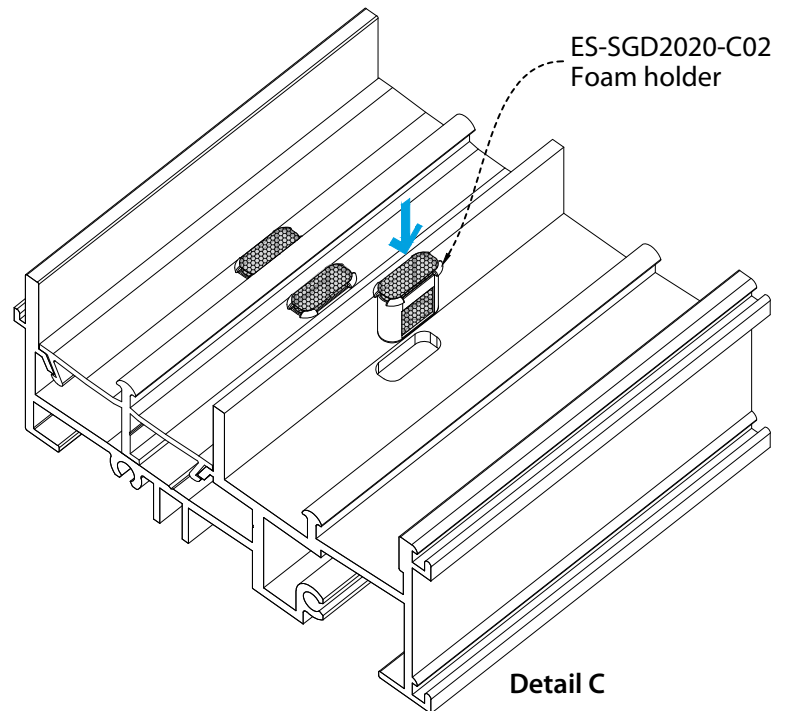
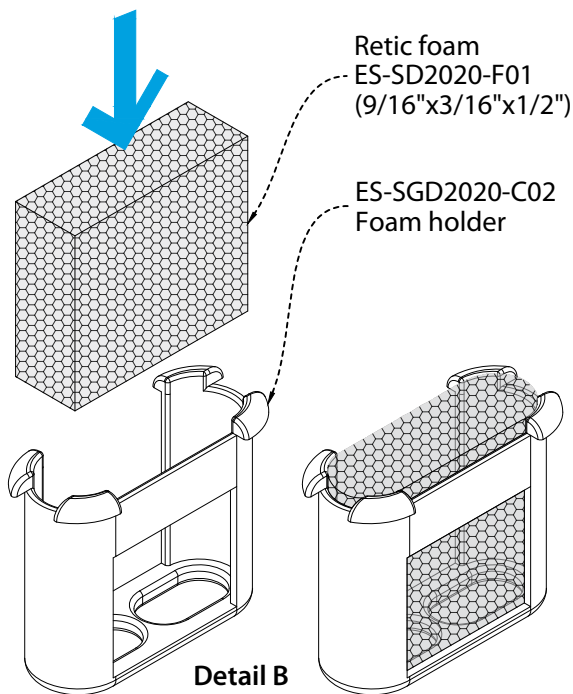
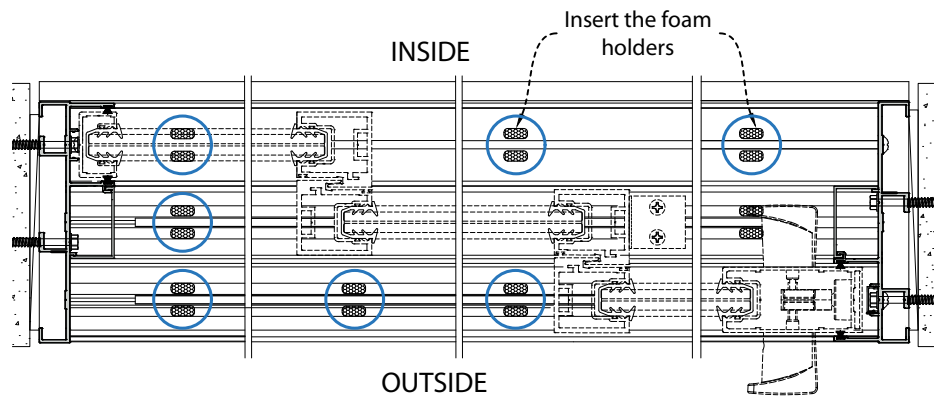
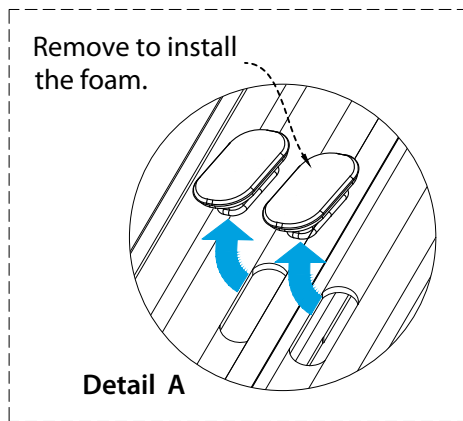


STEP 9

FOAM HOLDERS INSTALLATION:

9.1. Before installing door panels, remove the protection cover plugs and install the ES-SGD2020-C02 foam holders in the sill weep holes:

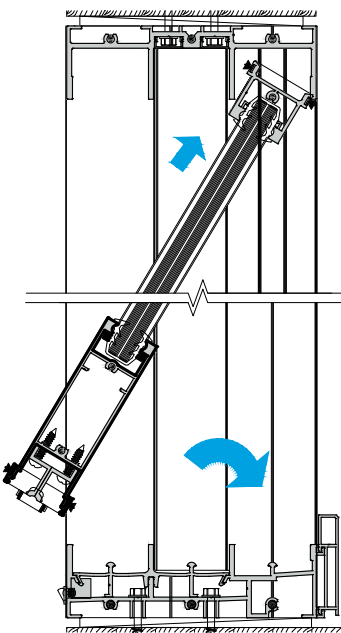
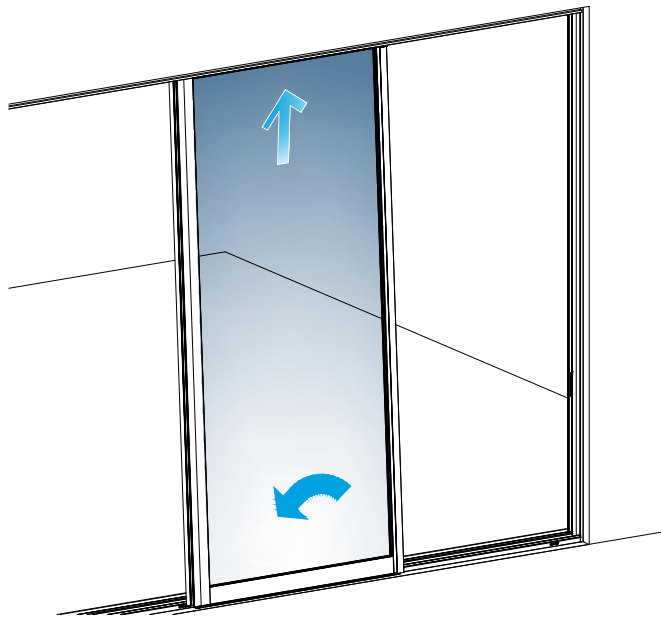
- A. Remove the protection cover plugs.
- B. Insert a 9/16" x 3/16" x 1/2" reticulated foam (ES-SD2020-F01) in the foam holder as shown in detail B.
- C. Insert the holder in the sill holes, as shown in detail C.



STEP 10

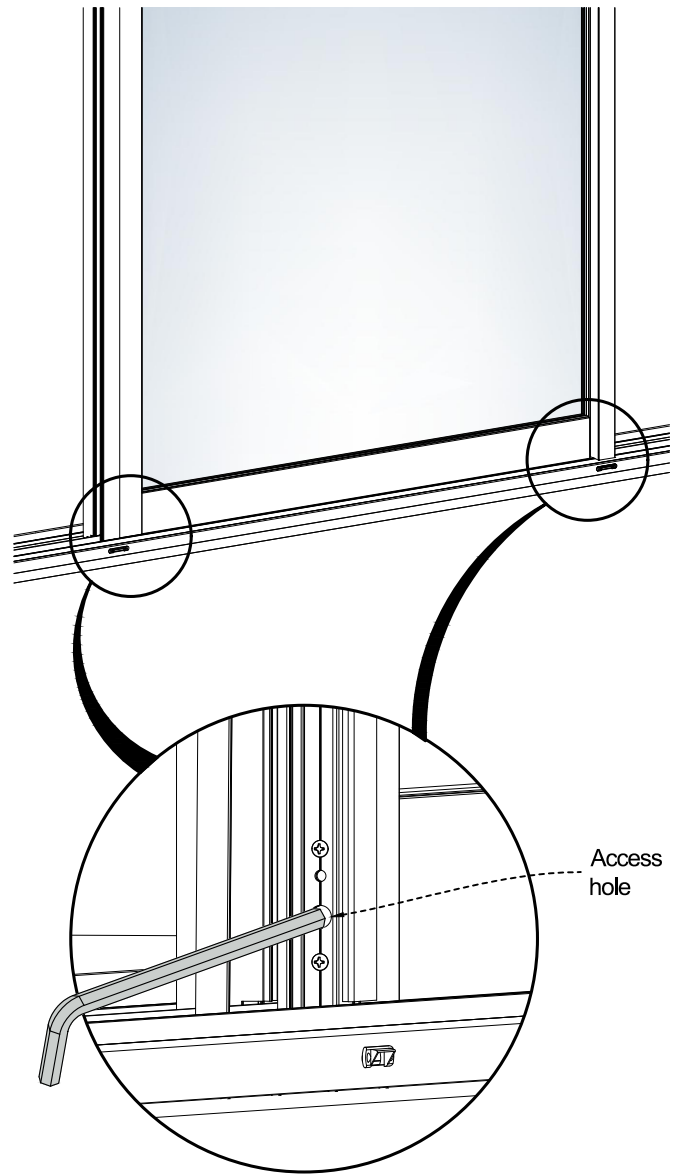
INSTALLATION OF PANELS:

10.1. Install panel from outside of the building. First install panels located in the inner rails of the frame. Verify configuration in shop drawings.



DETAIL 10.1

10.2. For sliding panels, adjust rollers with leveling screw. Lift the panel while leveling to avoid the damage of the rollers.

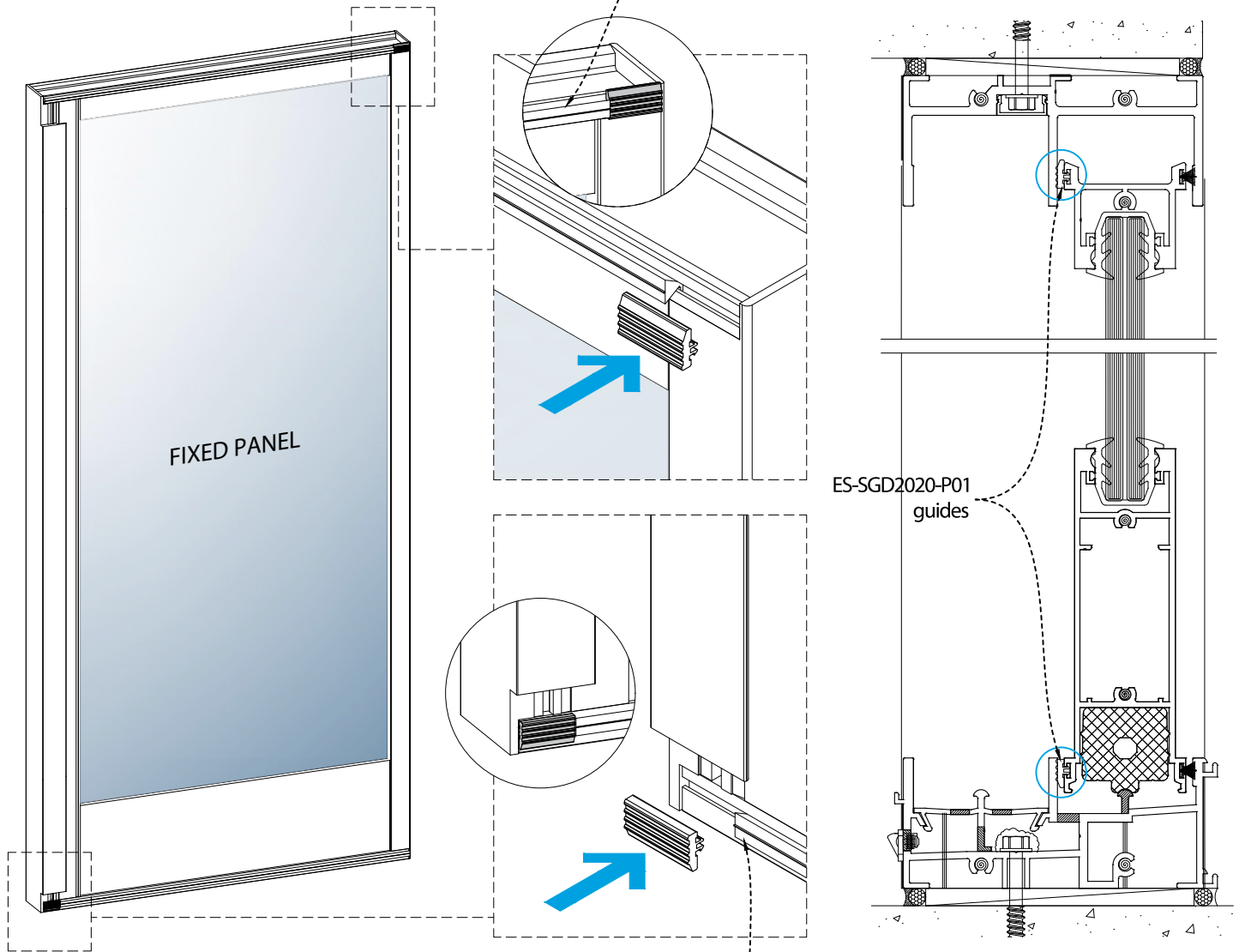


DETAIL 10.2

- 10.3. Before placing the fixed panels, make sure to install the ES-SGD2020-P01 guides at the top and bottom of the panel in opposite corners, as shown in the details below.

FOR THE PILE PADS (IF REQUIRED):

It may be necessary to cut the adjacent pile pad to make space for the installation of the guides. Cut only 0.78" (20 mm), which is the length of the guide. Do not cut more than the required length.



For configurations where the sliding panels run on the inner side of the frame, install the guides in the inner face of the fixed panels.

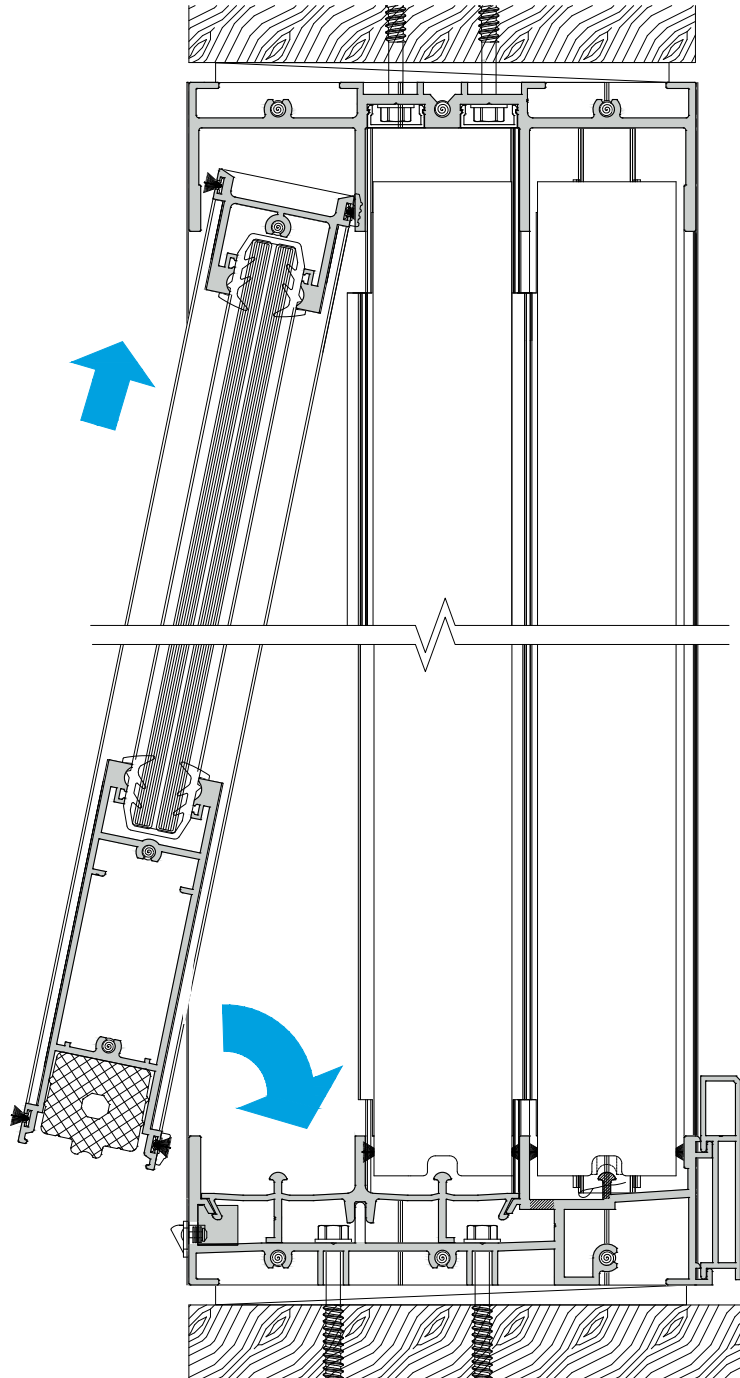


For configurations where the sliding panels run on the outer side of the frame, install the guides in the outer face of the fixed panels.

FOR THE PILE PADS (IF REQUIRED):

It may be necessary to cut the adjacent pile pad to make space for the installation of the guides. Cut only 0.78" (20 mm), which is the length of the guide. Do not cut more than the required length.

10.4. Proceed to install panels located in the outer rails, usually fixed panels.

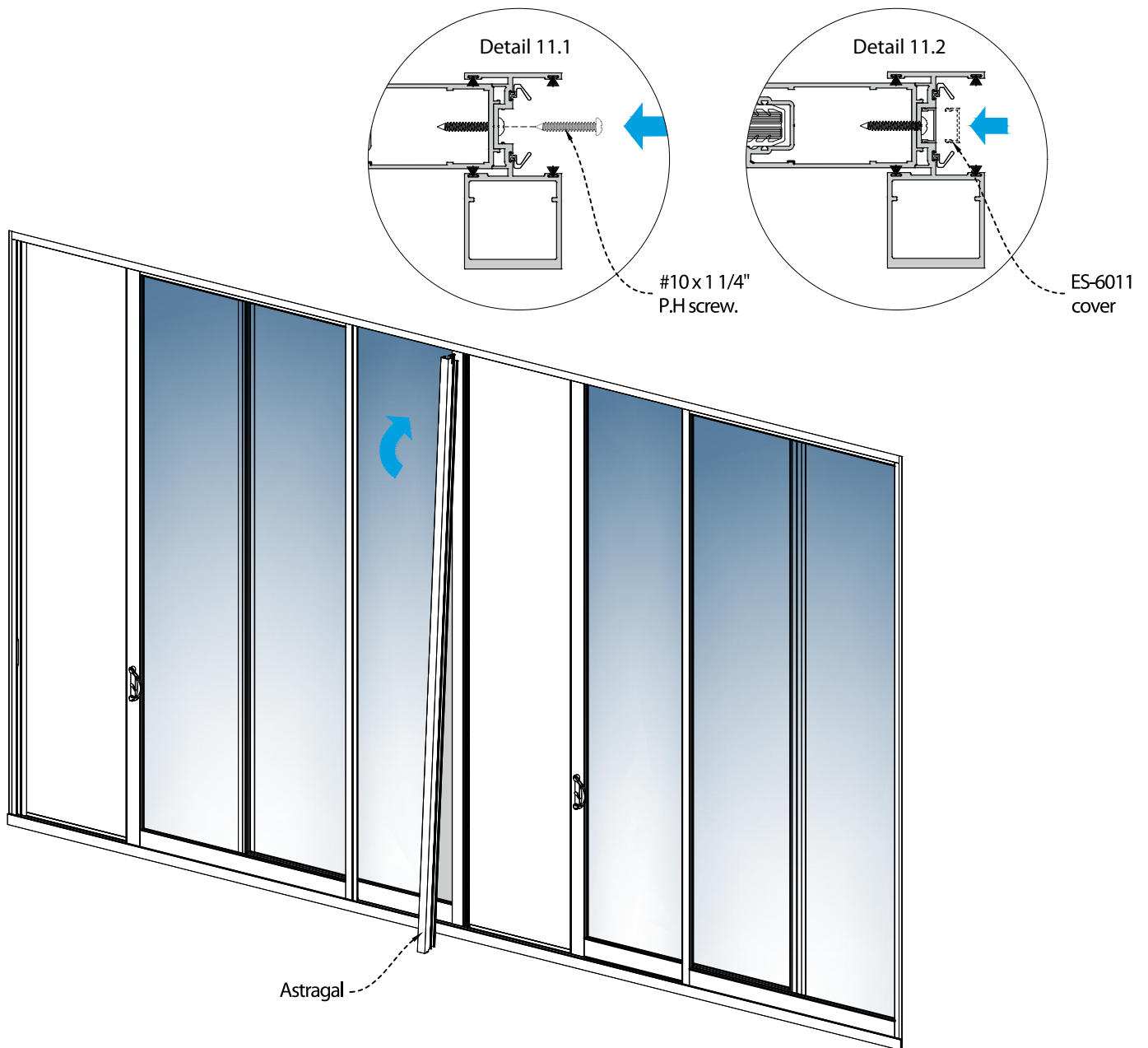


DETAIL 10.4

STEP 11

INSTALLATION OF ASTRAGALS:

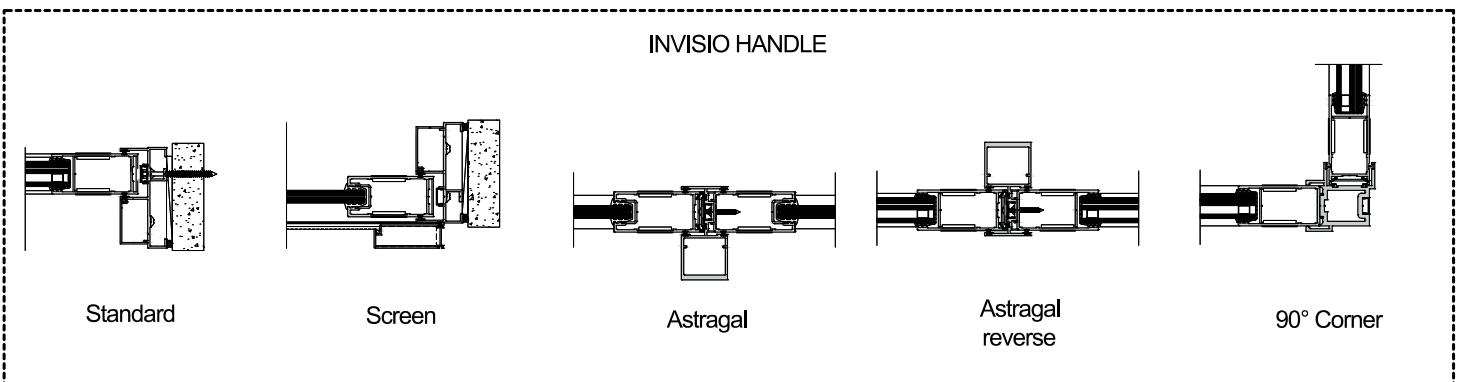
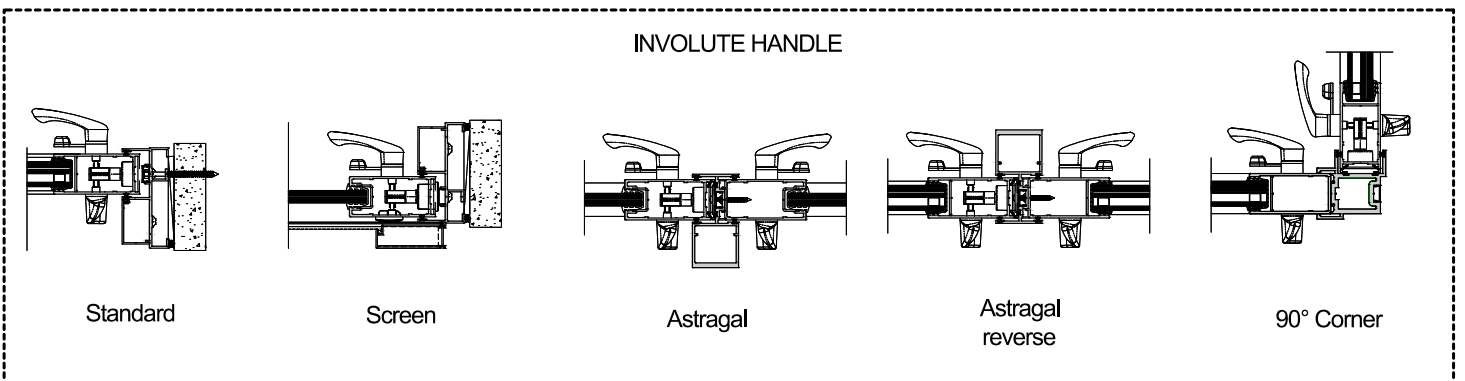
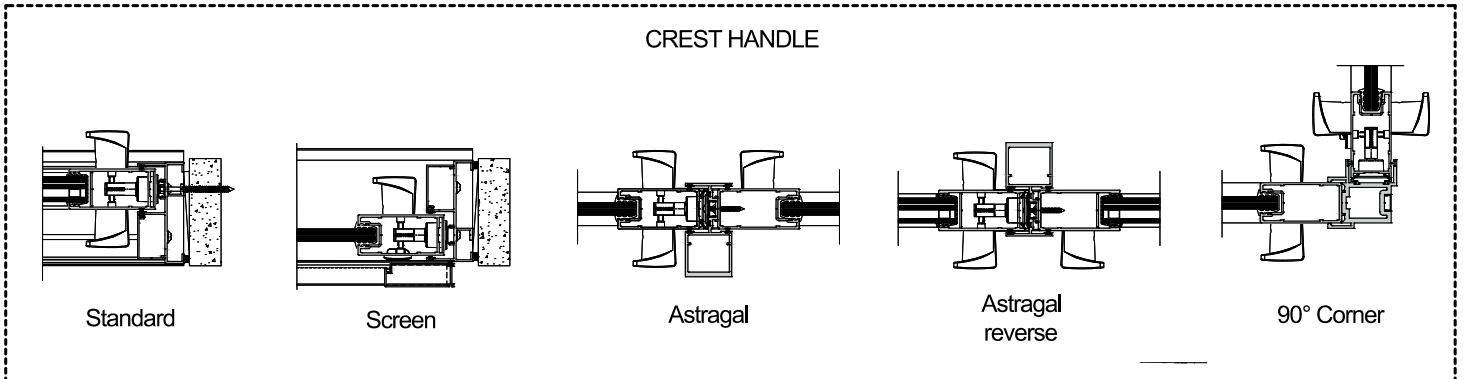
- 11.1. For configurations with astragals, slide panels to clear space, place astragal as shown and attach with #10 x 1 1/4" P.H screws as shown in detail 11.1.
- 11.2. After the astragal and the panel have been attached, install the ES-6011 cover, as shown in detail 11.2.



STEP 12

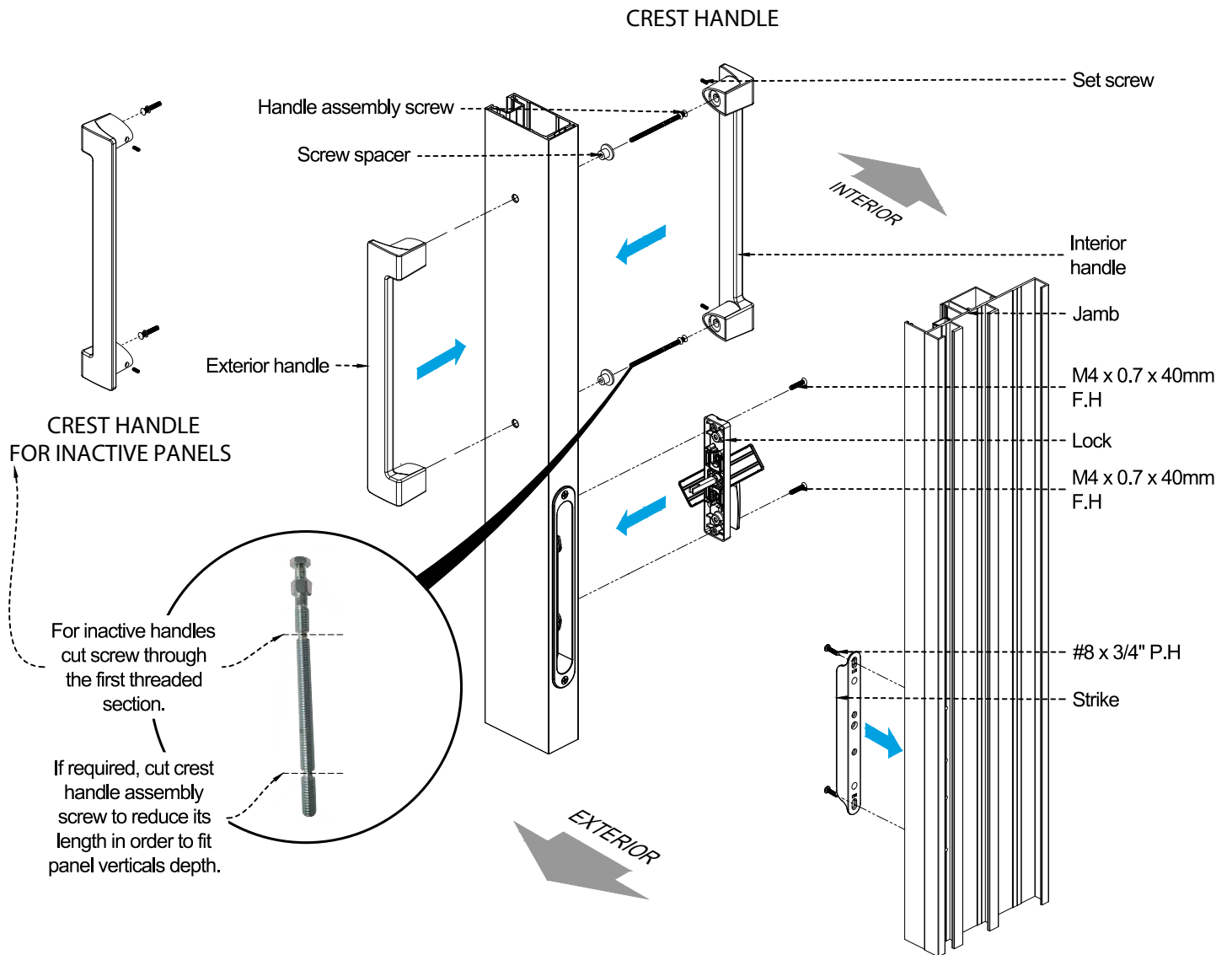
INSTALLATION OF HANDLE:

12.1. Verify project drawings to identify where to install the handle and the configuration required as shown in examples below.

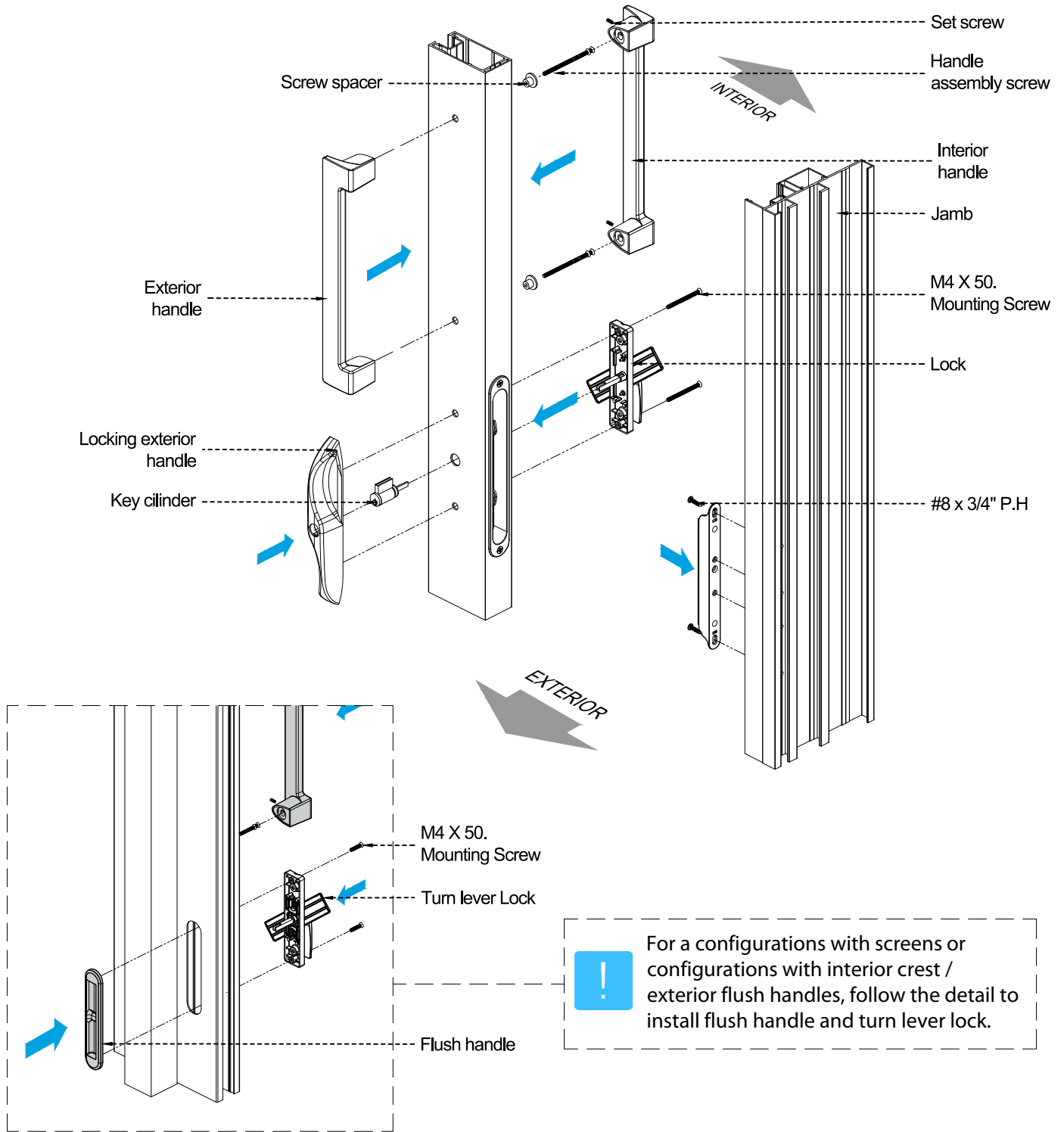


Follow the drawings of the project to guarantee the correct installation of the handles.

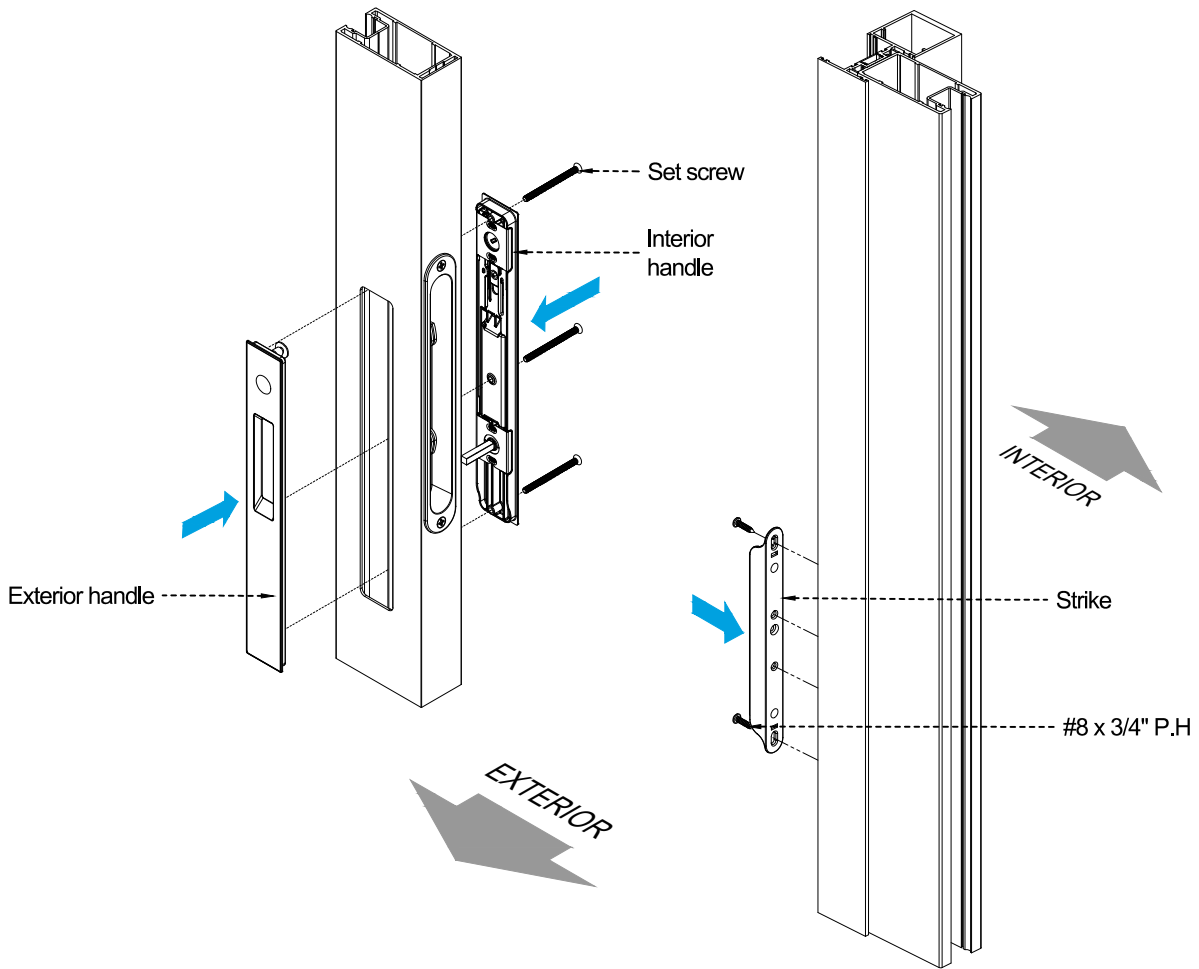
12.2. Install handles as shown in details below. Verify shop drawings to identify where to install the handle.

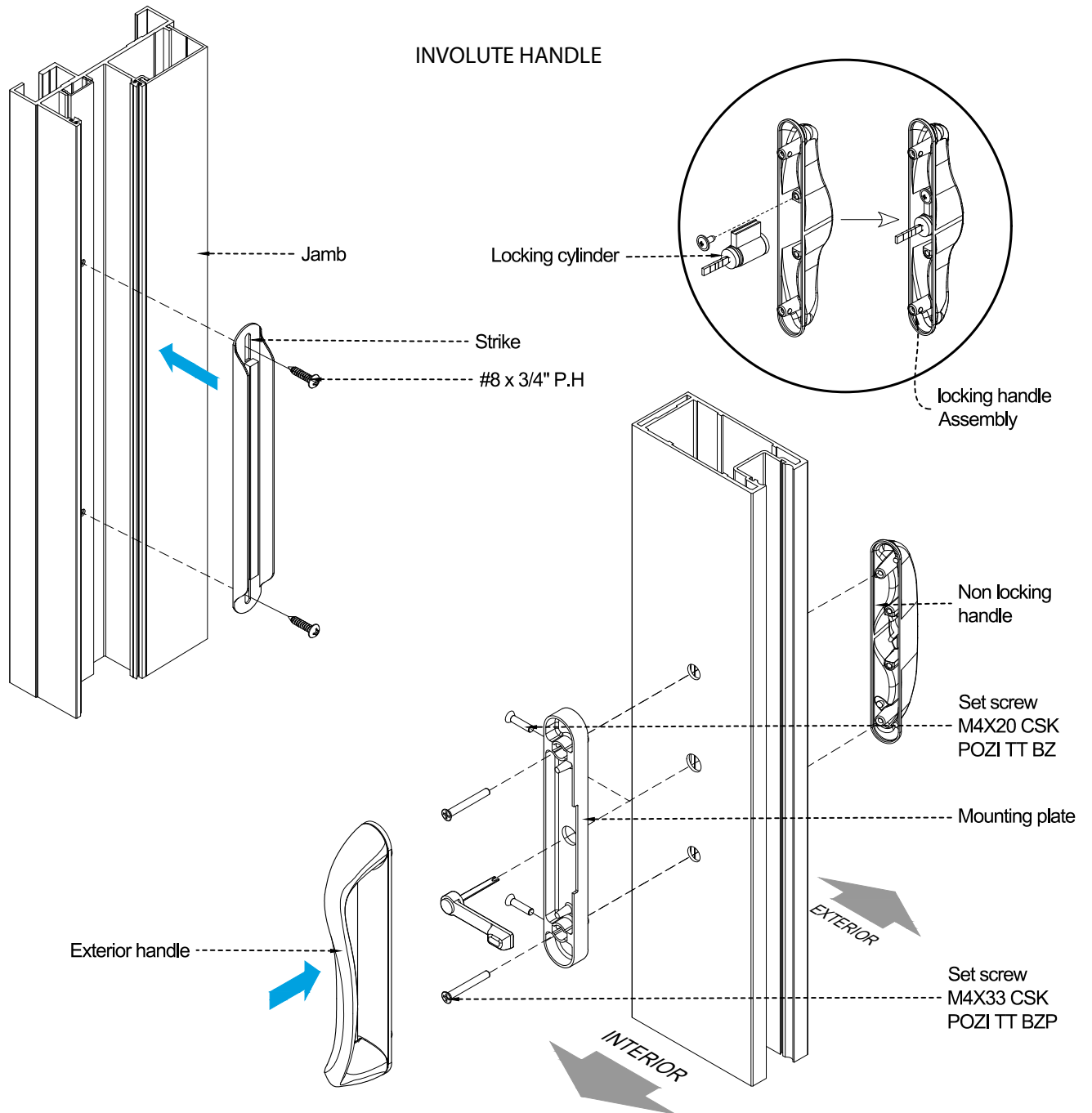


CREST HANDLE



INVISIO HANDLE PS01-0302





STEP 13

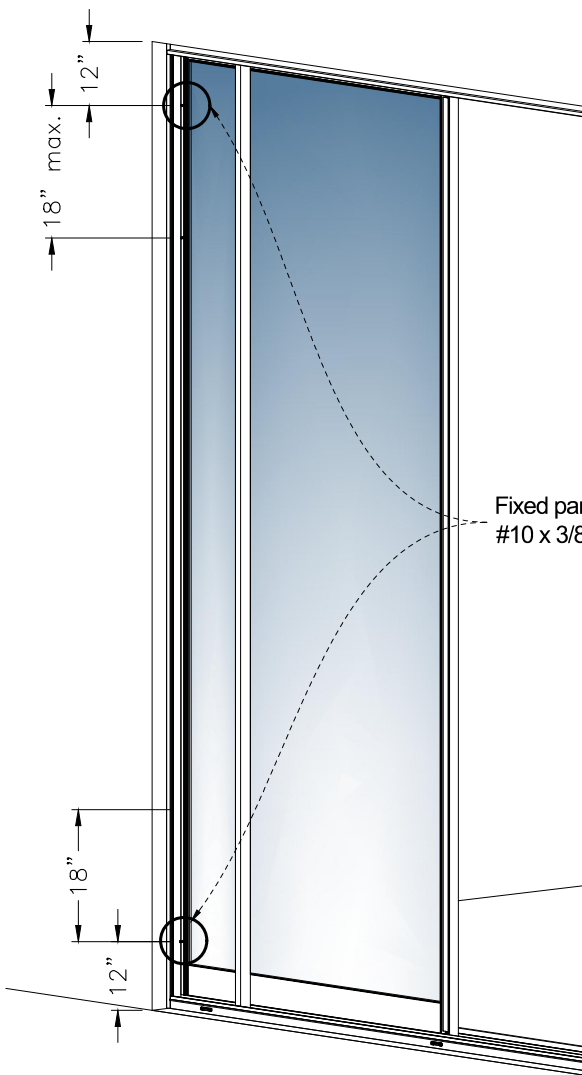
INSTALLATION OF FIXED PANEL CLIPS:

13.1. Verify the functionality of the handle and install fixed panel #10 x 3/8" P.H. type b screws. Install the screws using jamb holes as a guide.



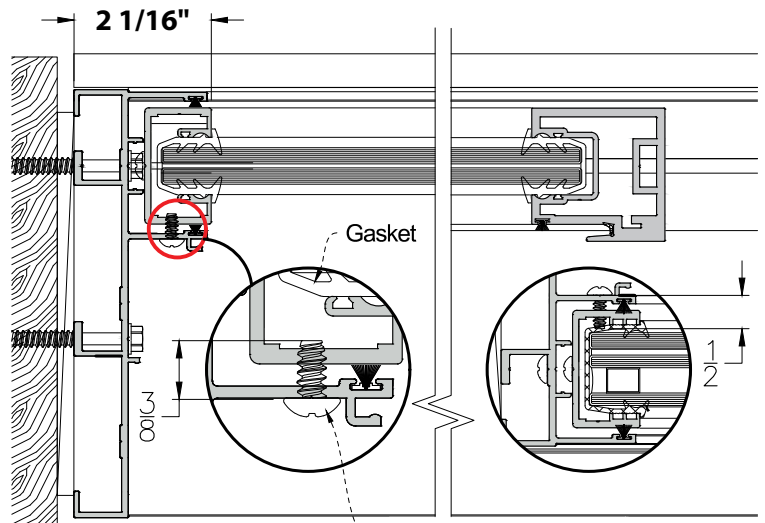
Mark a reference line on the drill to avoid the damage of the glass or gasket. Use a wood block or shims to create a guide and stop for the drill.

Verify the distance between the external face of the jamb and the internal face of the fixed stile. It must be $2 \frac{1}{16}$ ".

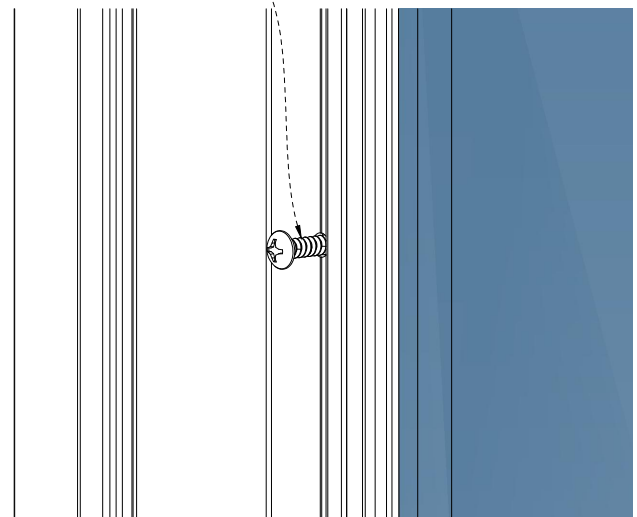


Fixed panel screw
 #10 x 3/8" P.H. type b

Fixed panel screw
 #10 x 3/8" P.H. type b



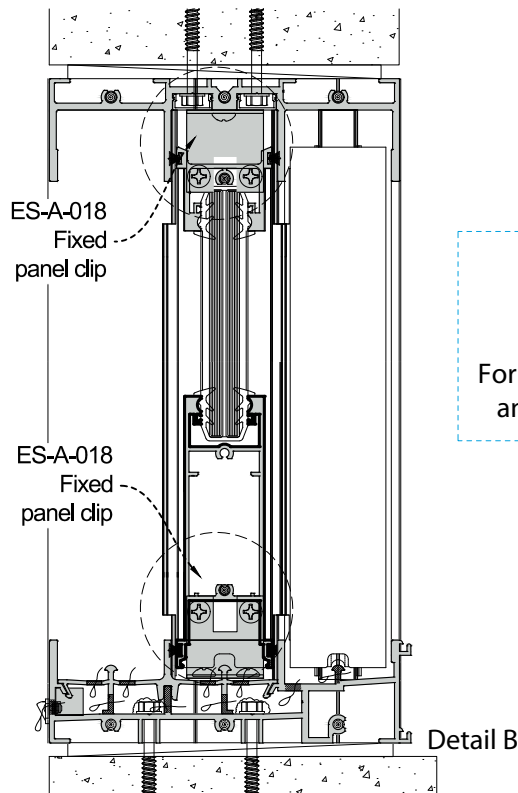
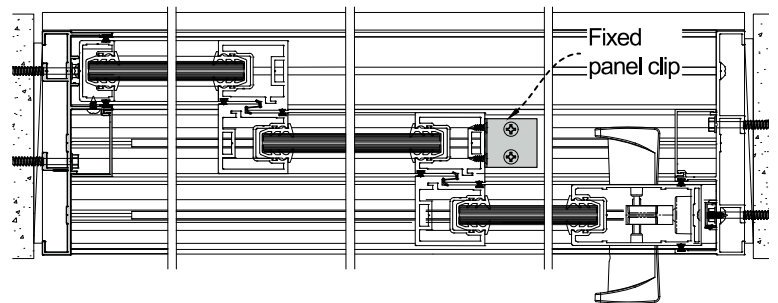
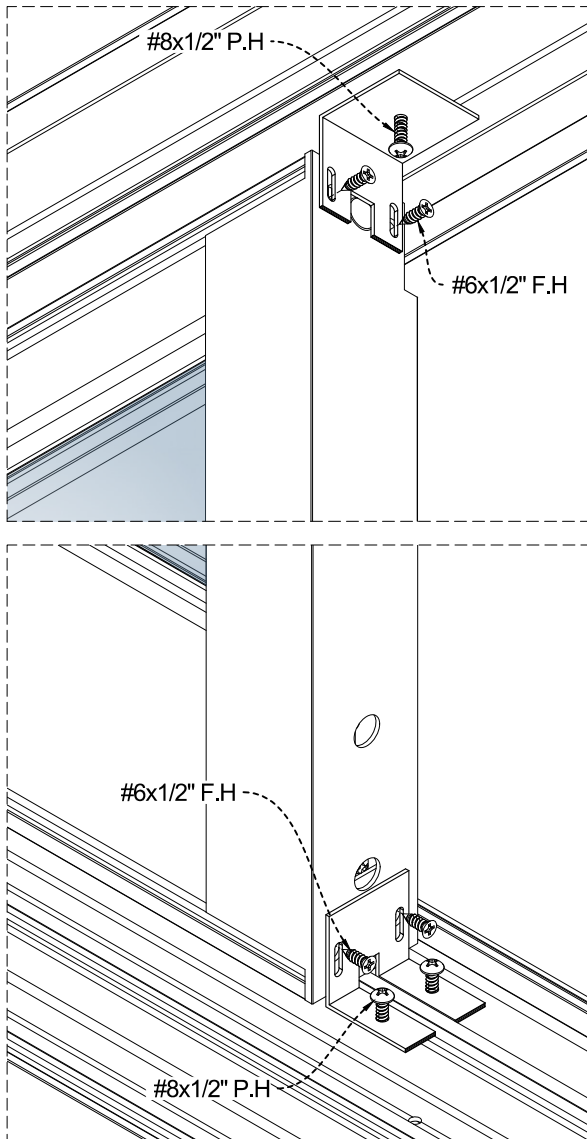
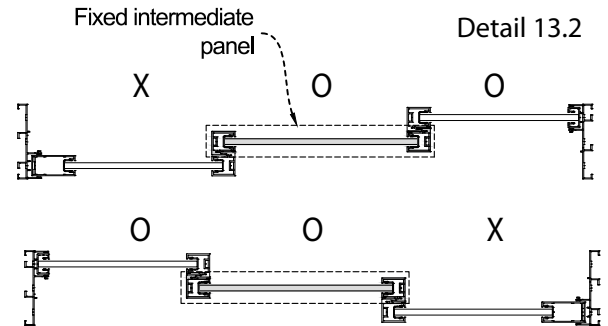
Fixed panel screw
 #10 x 3/8" P.H. type b.



INSTALLATION INSTRUCTIONS

13.2. For configurations with intermediate fixed panels install angles to connect the interlock and the frame as shown in details below.

- A. Install the fixed panel in the frame. Once located, drill the frame (head and sill) through the angle perforation and fix it with #8 x 1/2" P.H screws. Start with the head, then fix to the sill.
- B. Install the ES-A-018 angles at the top and bottom of the interlock and adjust them slightly (just to hold in position) to the interlock with #6 x 1/2" F.H. screws (detail B).
- C. Level the panel. Once in position, fully tighten the #6 x 1/2" F.H screws on the interlock, securing the panel in place.

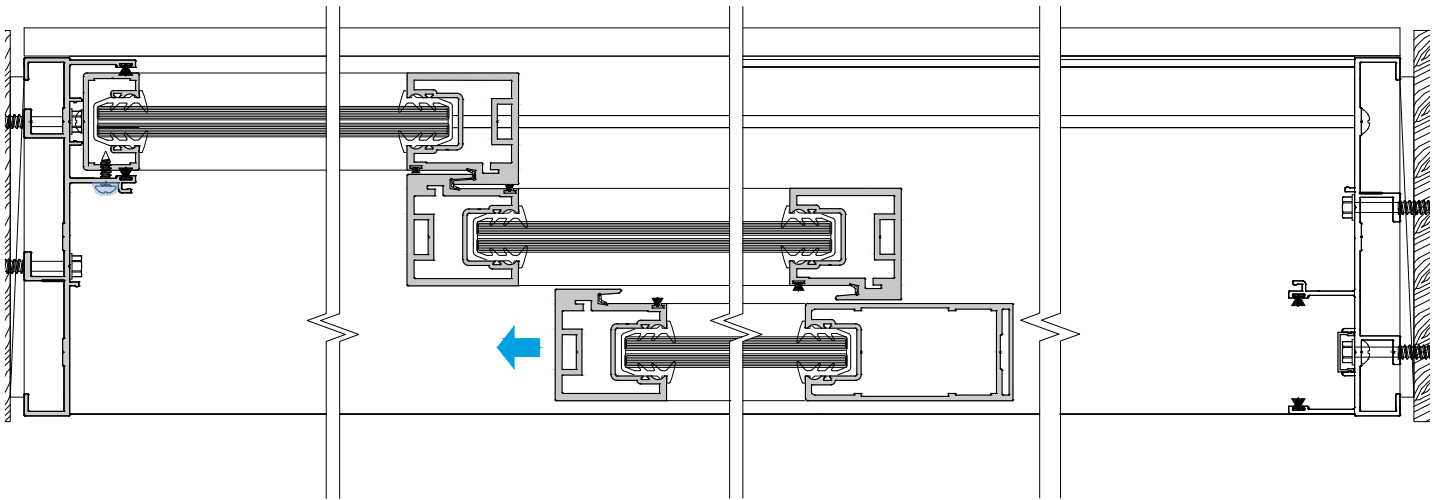


ADA SILL
 For ADA sill just install angles at the head.

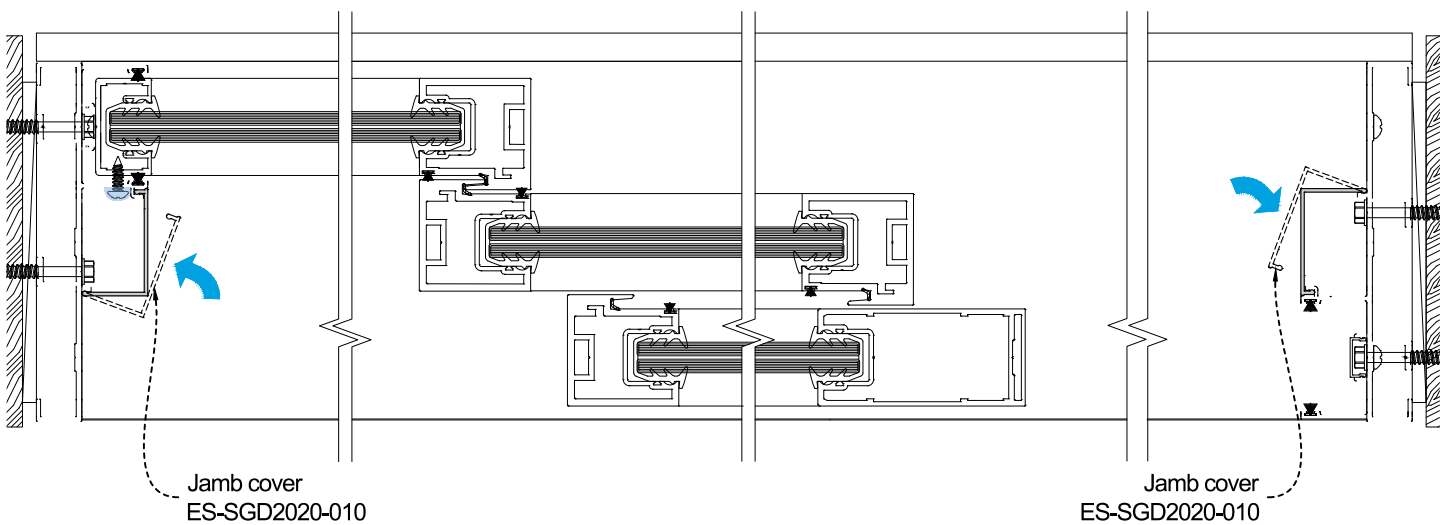
STEP 14

INSTALLATION OF ACCESSORIES:

14.1. Move sliding panel to the center of the frame.

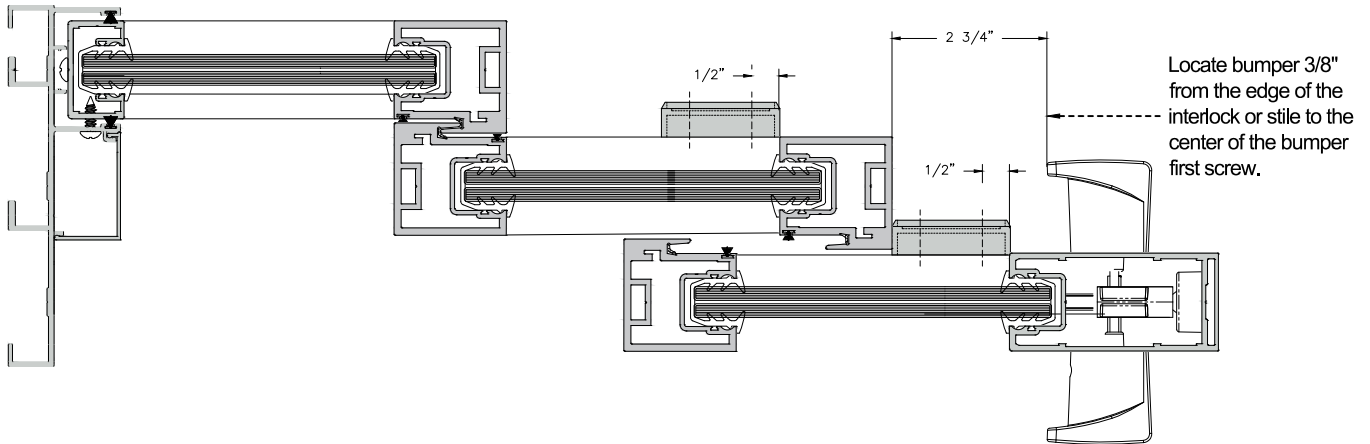



14.2. Install jamb and panel covers as shown in detail below.



INSTALLATION INSTRUCTIONS

14.3. Install bumpers at the bottom rails of the panels in order to avoid accidents and the damage of the handle. The spacing between the handle and the adjacent panels must be of 2 1/16"-2 13/16" min for standard handles and 2" min for flat handles. Locate bumpers on the inside as shown.

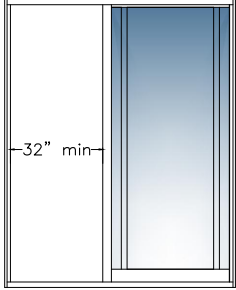




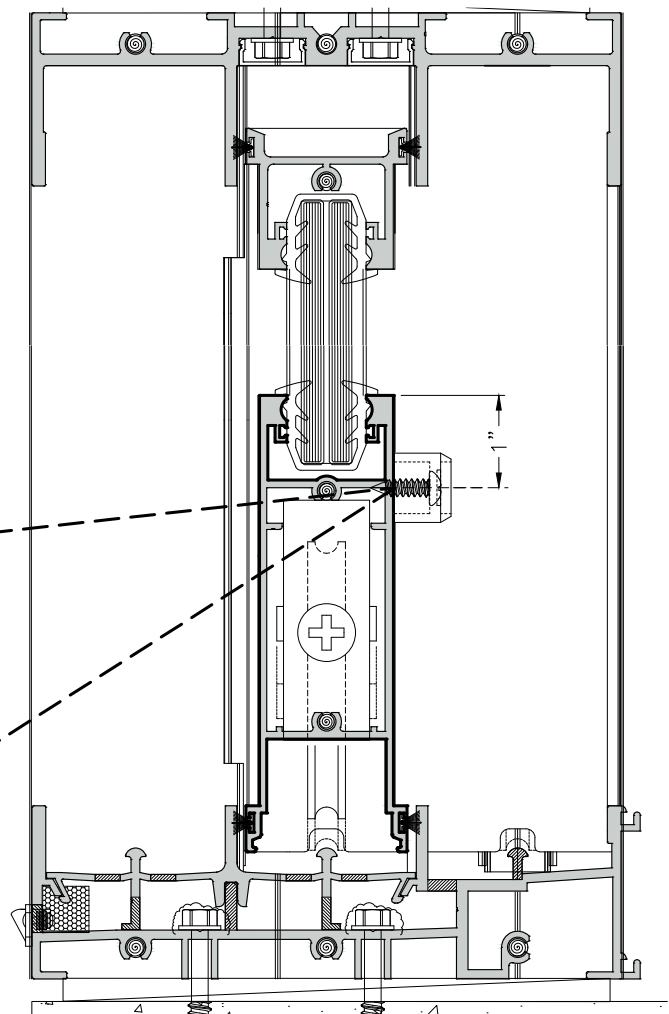
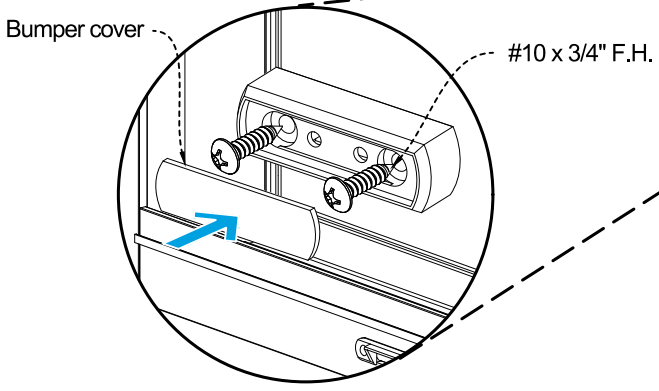
Follow details to locate bumpers properly at fixed and sliding panels.

IMPORTANT:

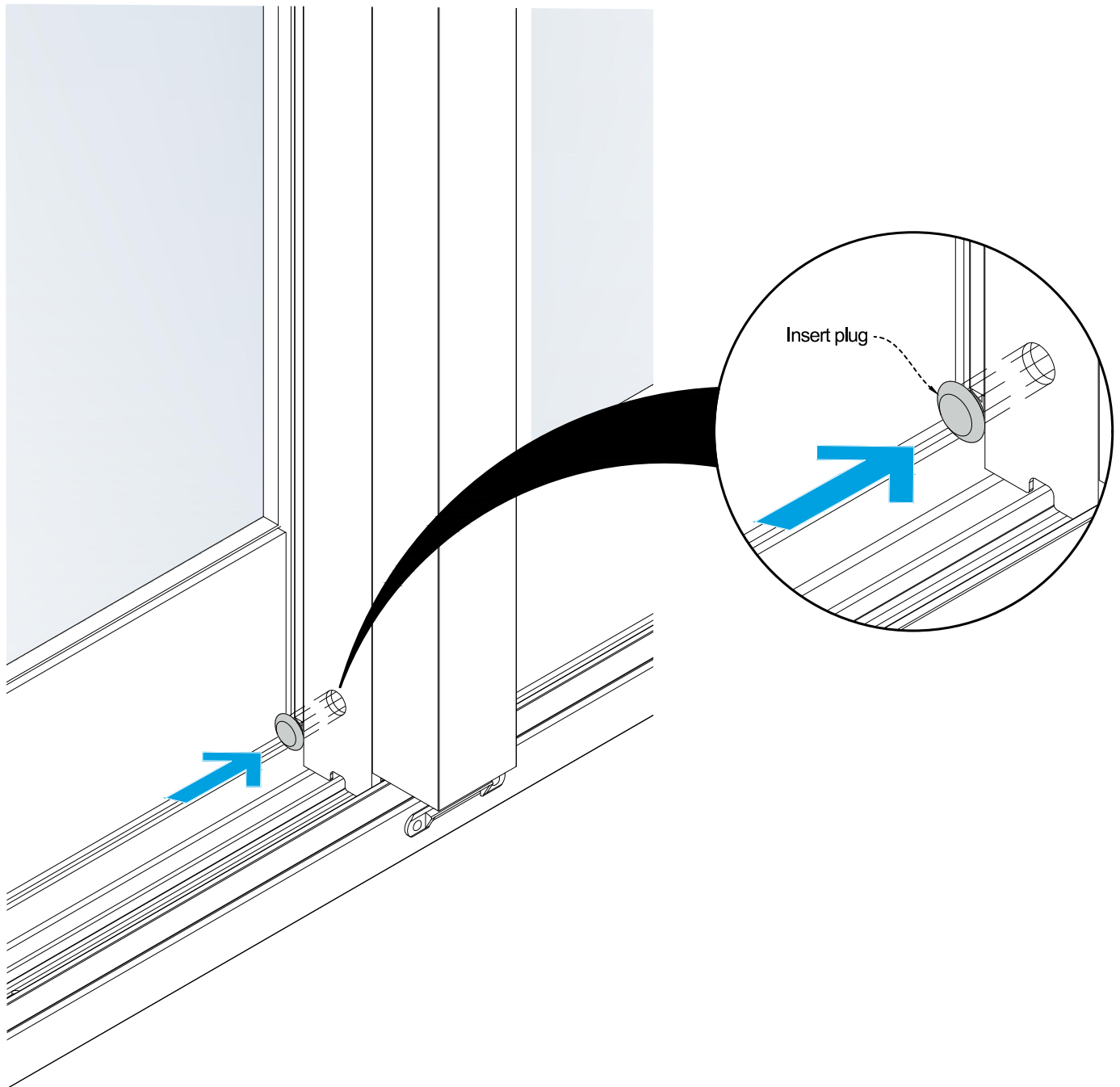
For egress opening requirements make sure to guarantee 32" min opening of sliding doors (Only when required). Refer to egress document of the system (ES-SGD2020) for further information.



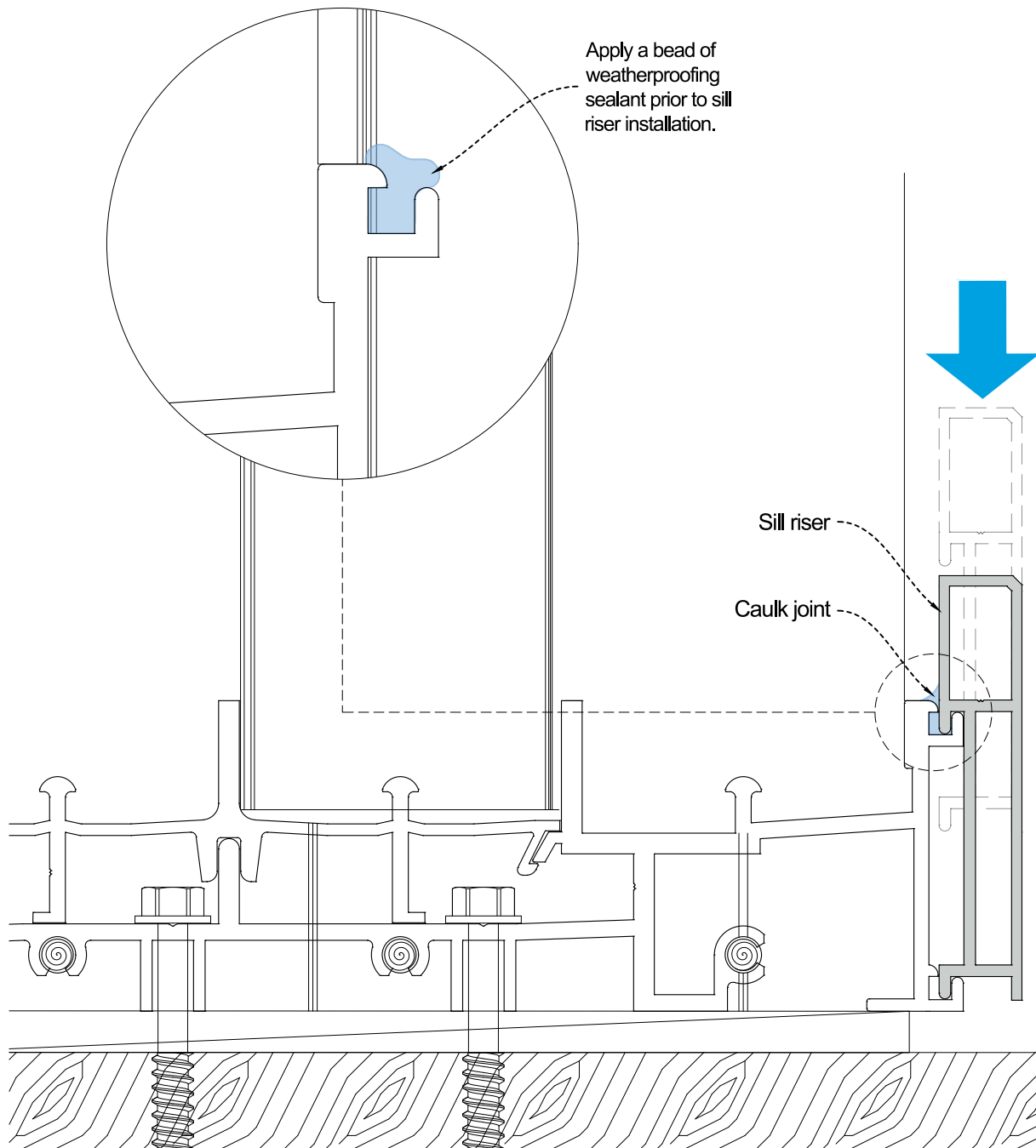
32" min



14.4. Install TAPON 2-500 plastic plug to cover rollers adjusting holes on sliding panels.



- 14.5. If sill riser is required apply a bead of weatherproofing sealant and install sill riser as shown in detail below. Caulk joint between the sill riser and the sill.

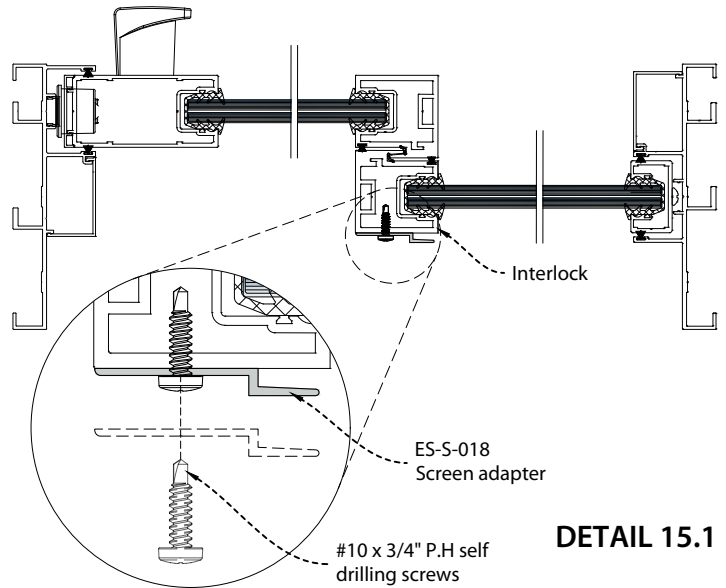


STEP 15

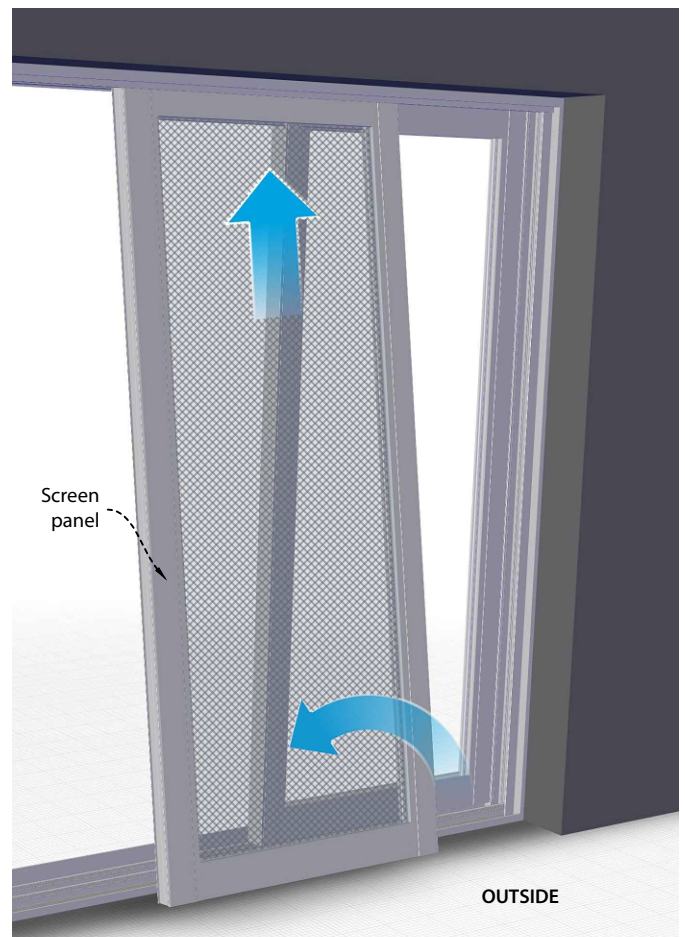
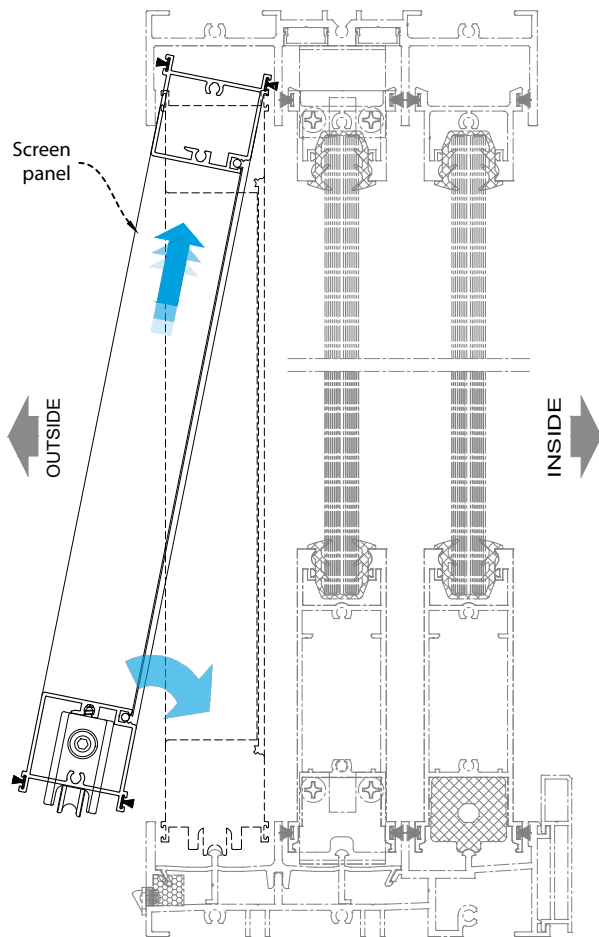
SCREEN INSTALLATION:

FOR BOX SCREEN:

- 15.1. Prior to screen panel installation, make sure to install ES-S-018 screen adapter at interlock, with #10 x 3/4" P.H selfdrilling screws, as shown in detail 15.1.
- 15.2. From the outside of the building install screen panel, lift panel into the frame and rest it on the rail, as shown in details 15.2. Make sure rollers are located on the outer rail.
- 15.3. Operate screen to verify its correct functionality.

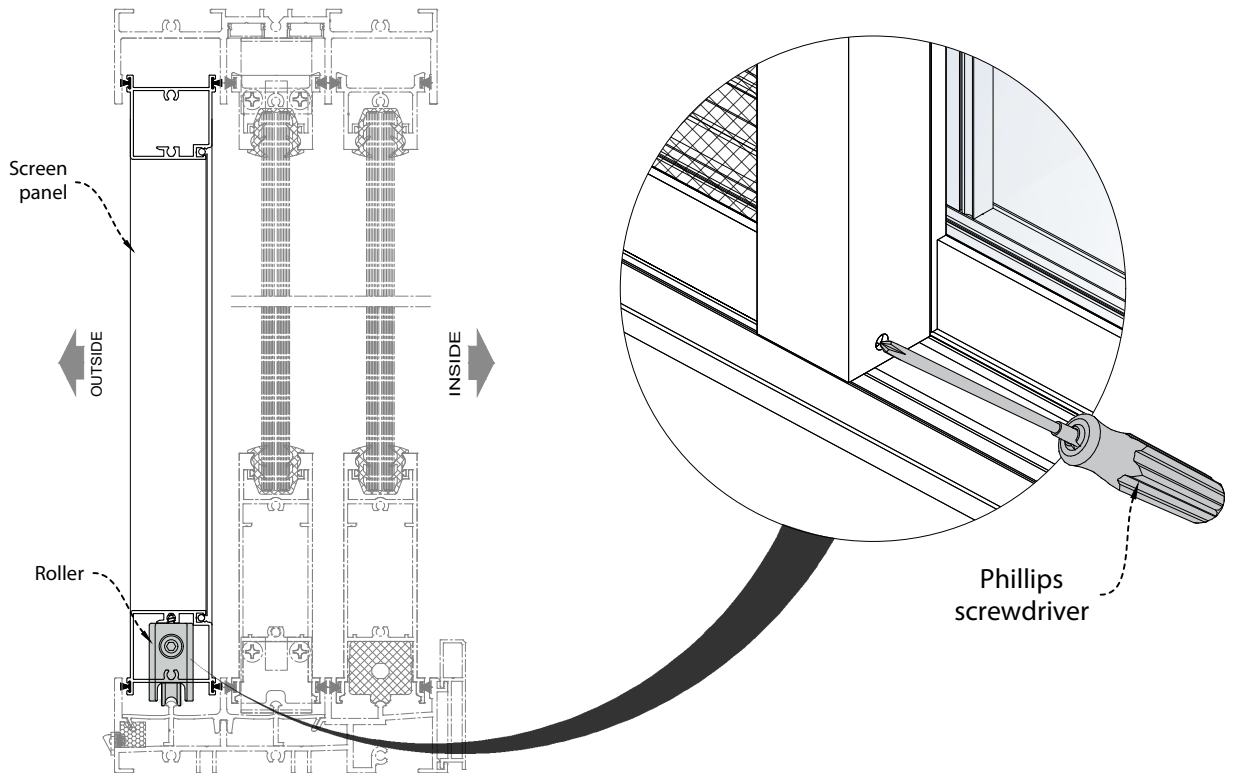


DETAIL 15.1

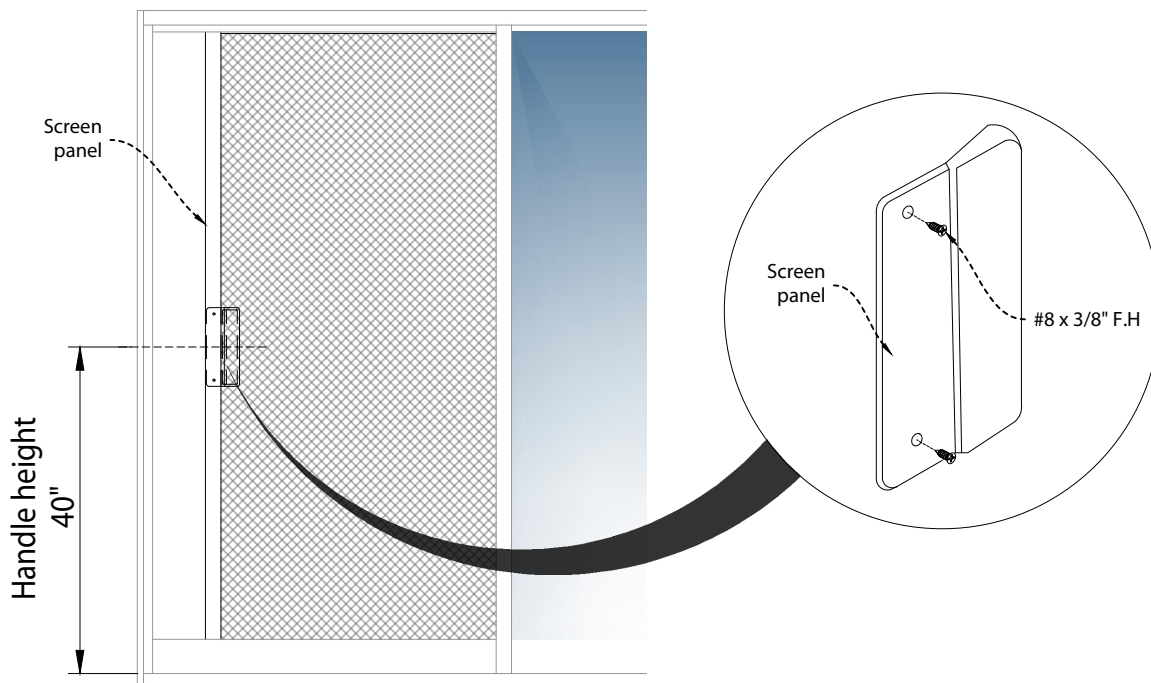


DETAILS 15.2

15.4. Adjust roller with the help of a screwdriver as shown in detail below.

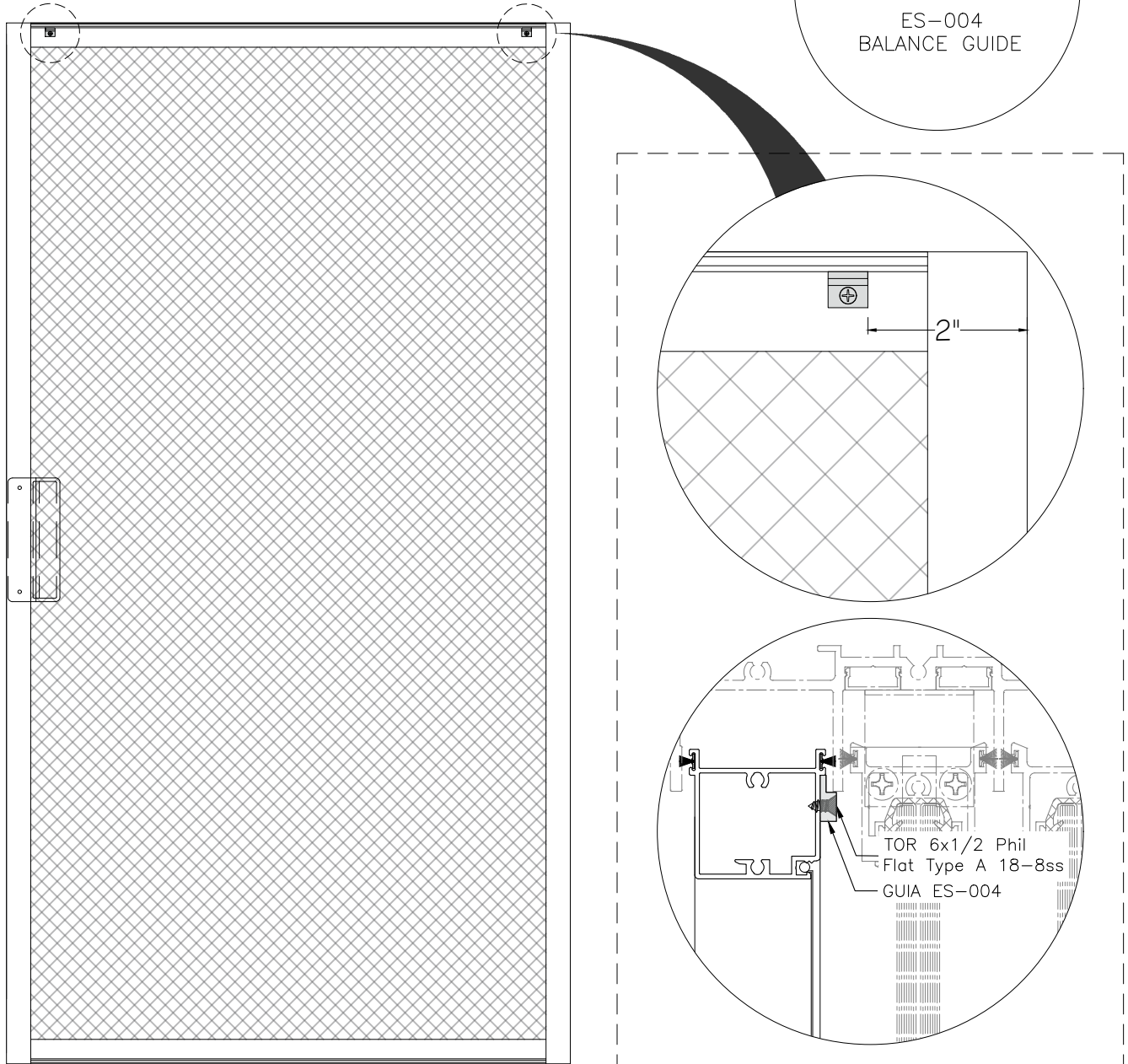


15.5. From the inside install handle with #8 x 3/8" F.H screws.



BALANCE GUIDE INSTALLATION:

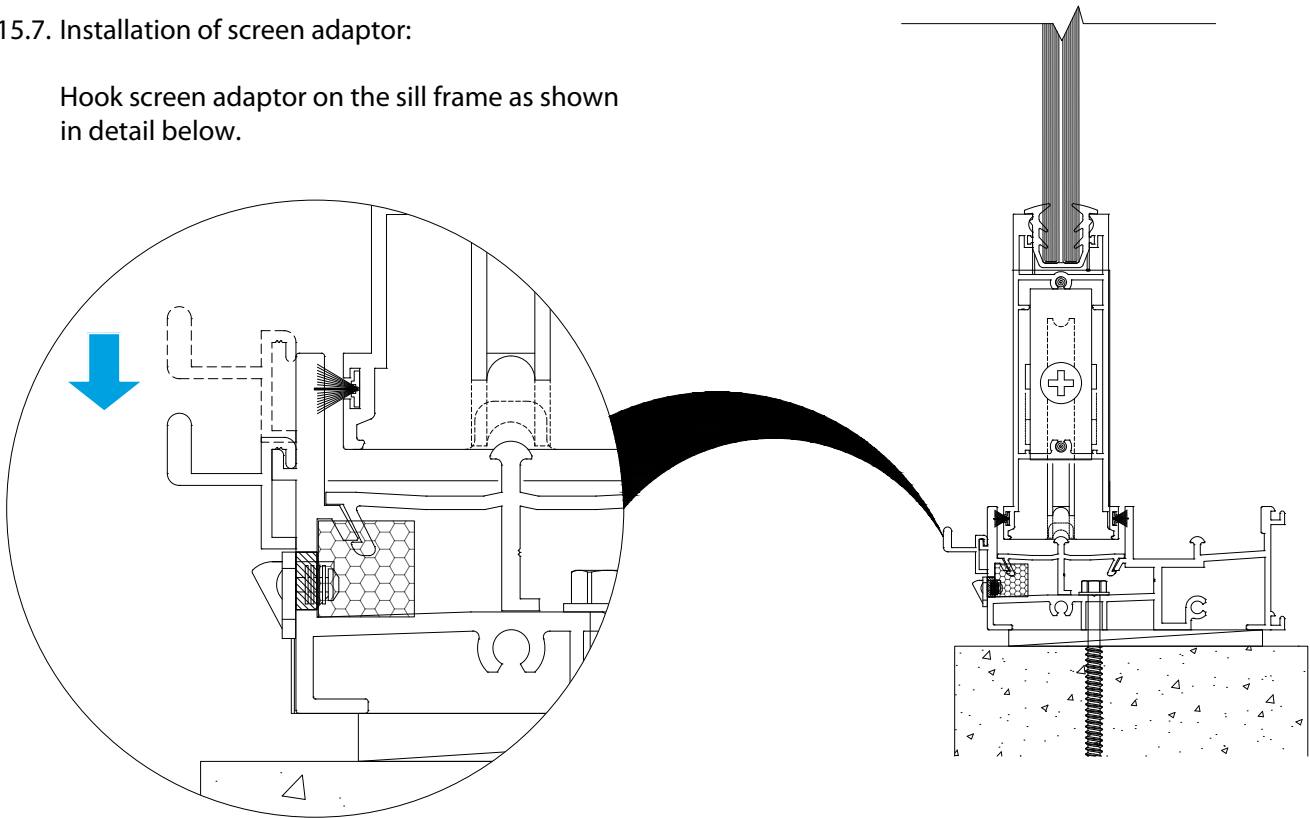
15.6. Install ES-004 balance guide on the head of the screen panel, make sure to install on the side facing inside. Place the balance guide as shown in detail below and secure using TOR 6x1/2 Phil Flat Type A 18-8ss screw.



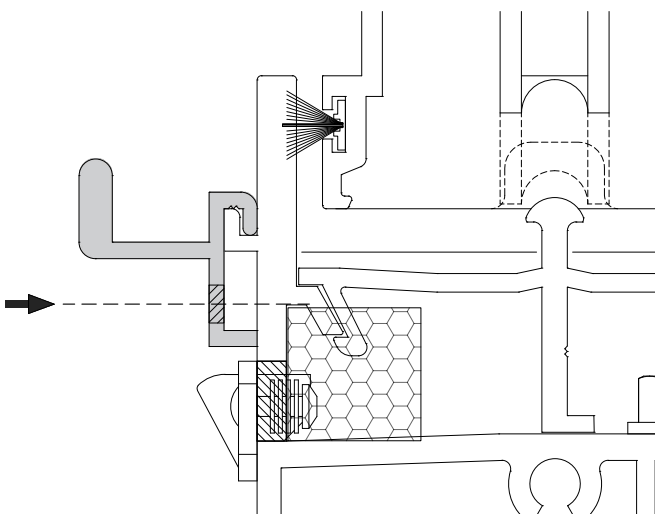
FOR STANDARD SCREEN:

15.7. Installation of screen adaptor:

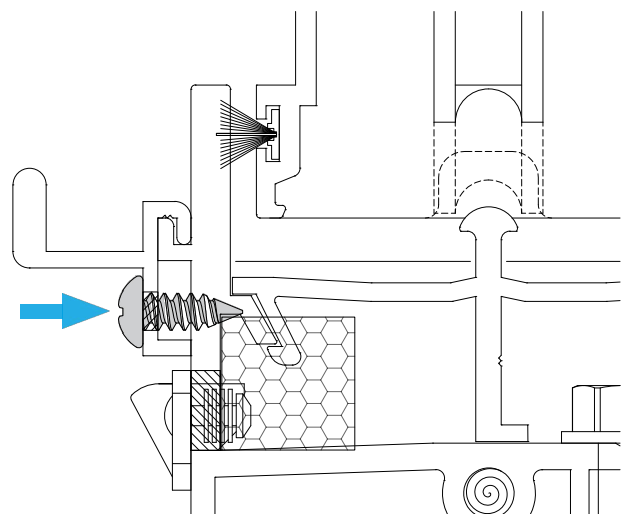
Hook screen adaptor on the sill frame as shown in detail below.



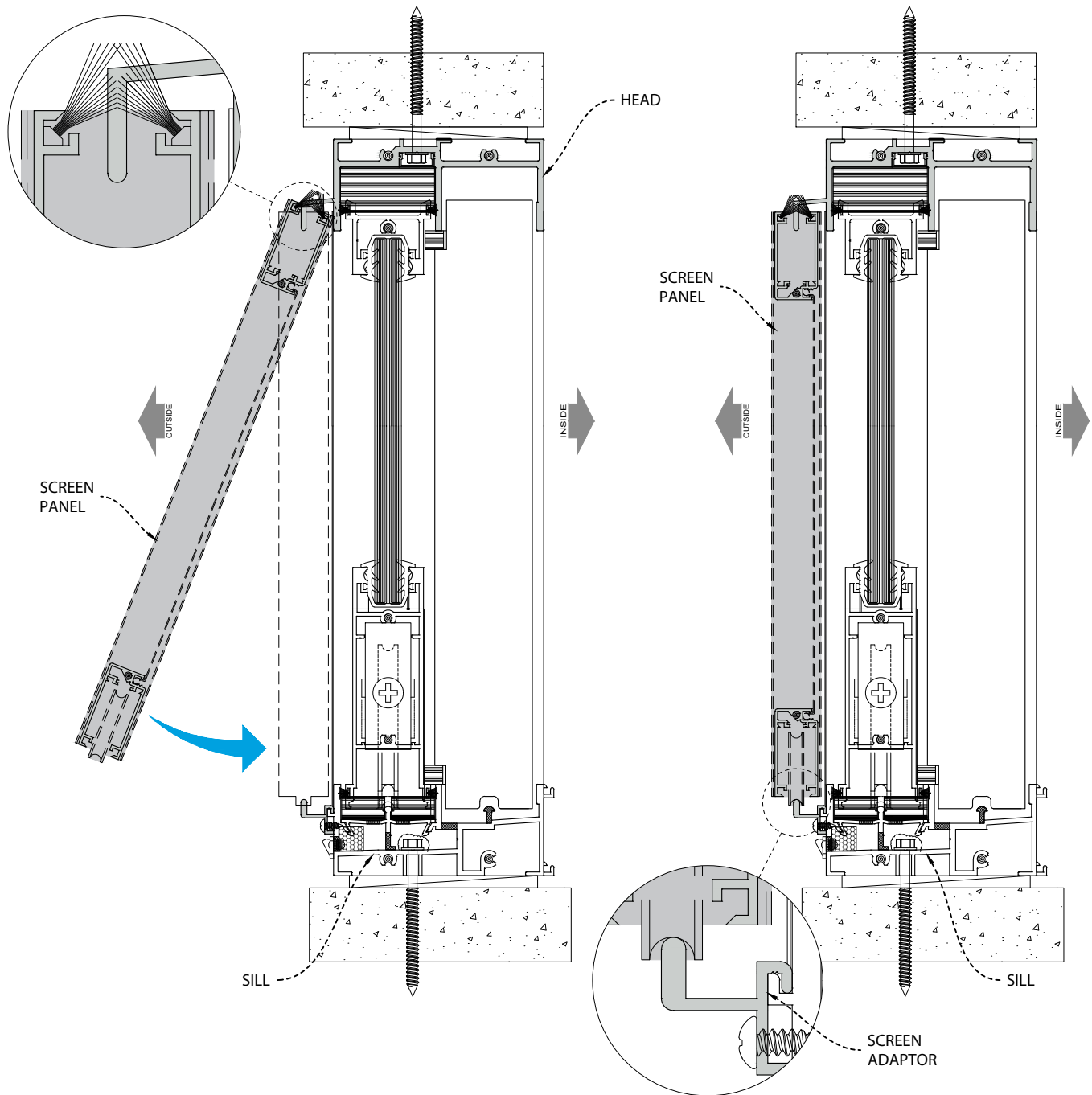
15.8. Use screen adaptor as a guide to drill through sill.



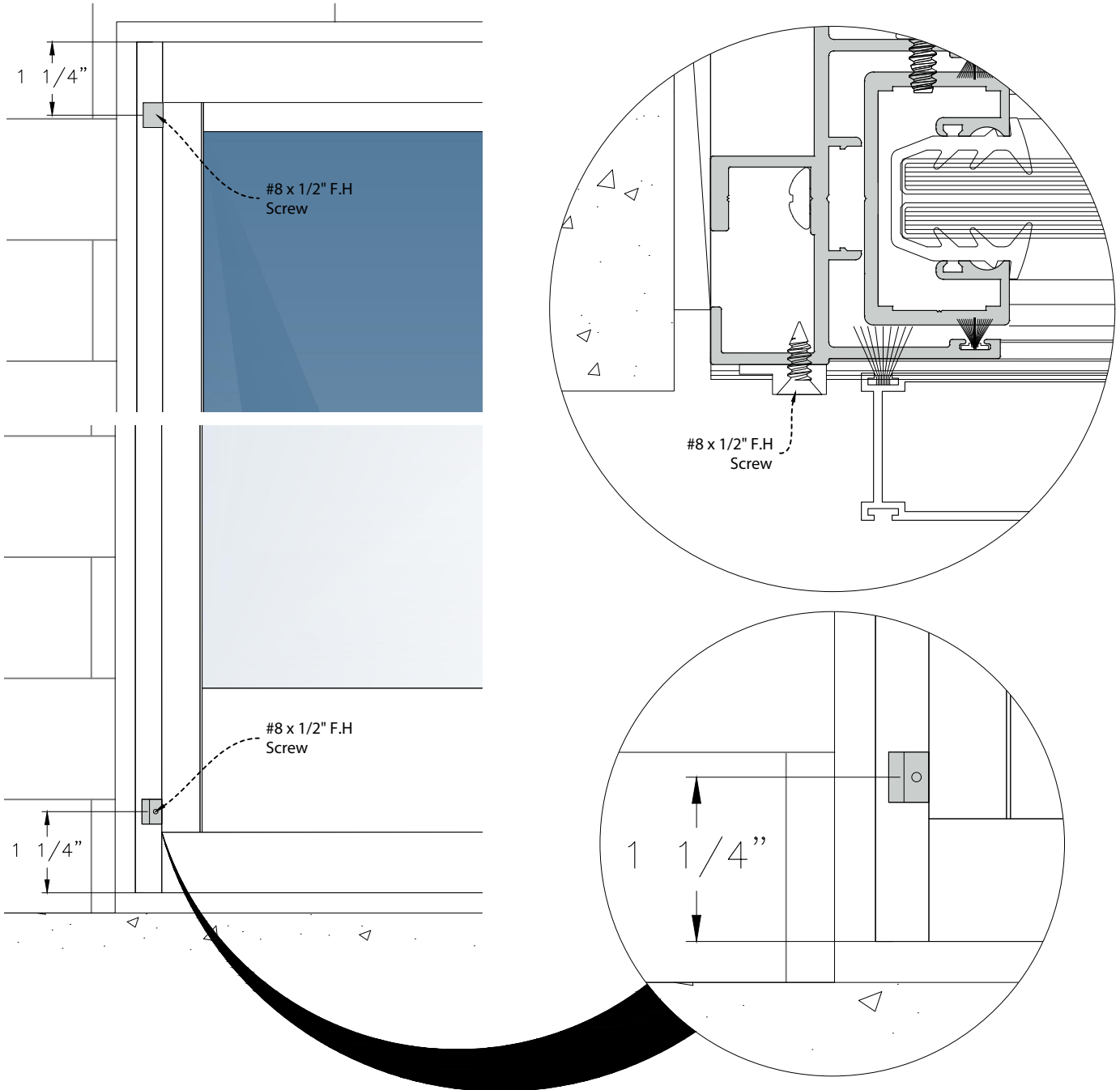
15.9. Secure screen adaptor with #6x3/8" P.H. screw.



15.10. From the outside of the door install the screen panel, lift the panel and fit the top of the screen with frame's head fin, then move the bottom of the screen and rest the rollers on the sill's screen adaptor. As shown in details below.



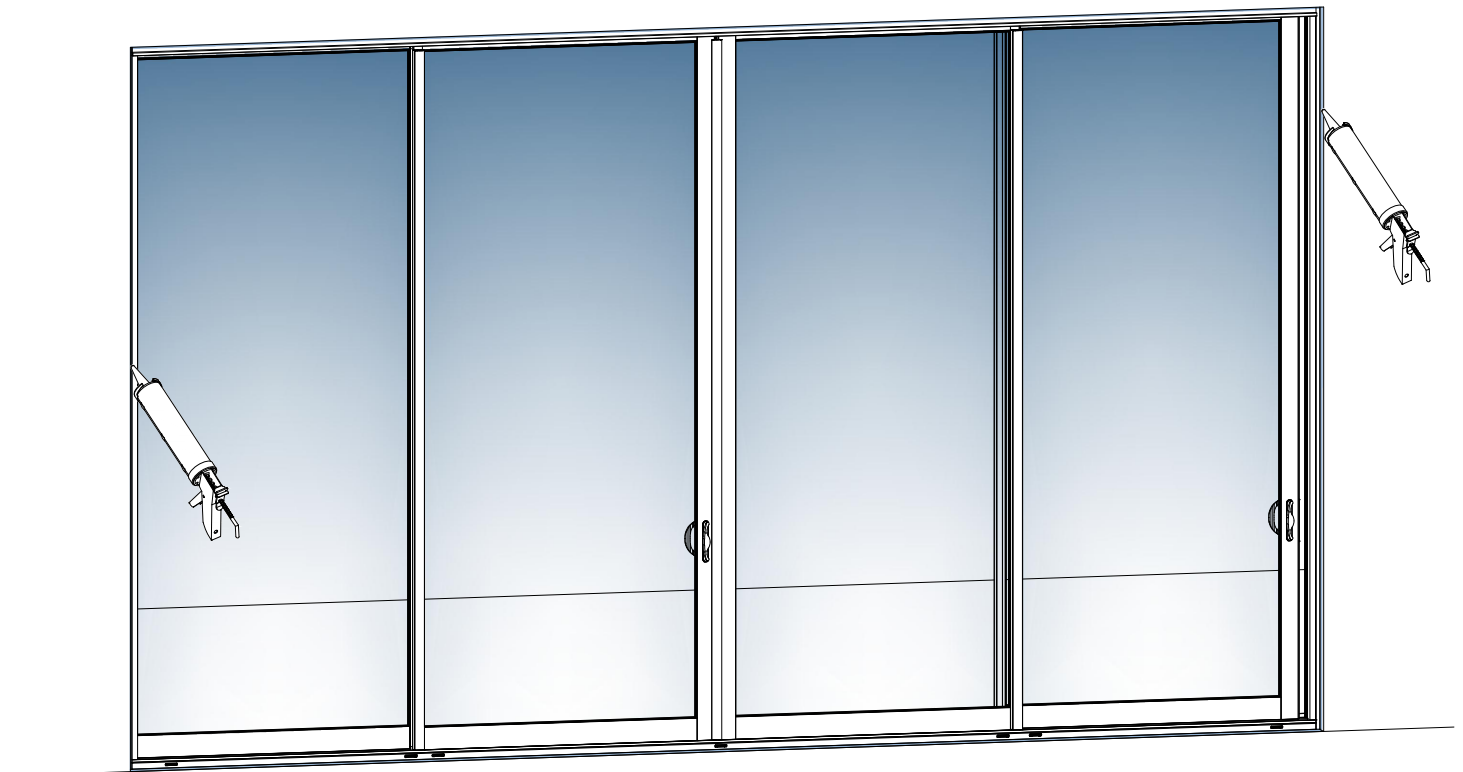
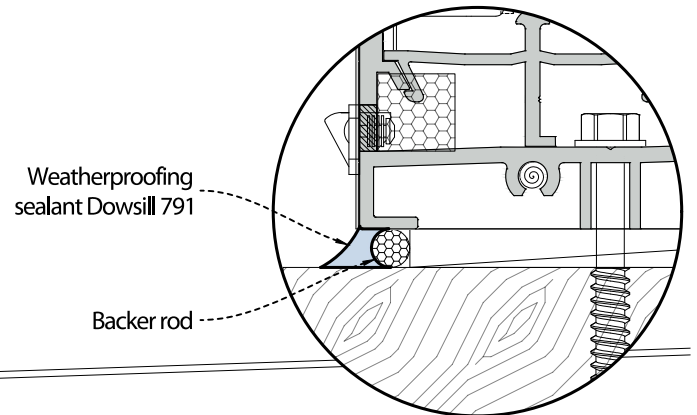
15.11. To prevent the screen panel from falling out the window, please attach plastic guides using #8 x 1/2" F.H screws, locate two guides per jamb 1 1/4" from the jamb edge. Follow detail below.


















STEP 16

PERIMETER SEAL:














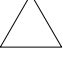
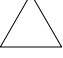
- 16.1. Insert backer rods and apply weatherproofing sealant around frame perimeter per approved shop drawings.



INSTALLATION INSTRUCTIONS

REVISION No.	FECHA	DESCRIPTION	BY.	PAGE.
	23-08-017	Installation of astragals on site	S.G	16
	28-10-017	Installation of angles at intermediate fixed panels, update of fixed panel screw from #10 x 5/8 to #10 x 3/8" type b.	S.G	19-20
	20-11-017	Update: Installation of pocket hook, Involute handle, Invisio handle, SGD-1600 bumper, adhesive pile pads, sliding panel roller plug, pocket door closer and plastic cover for reinforced interlocks.	S.G	19-20
	19-02-018	bumpers Installation update with egress information.	S.G	32
	23-04-018	Installation fixed panel screw and pocket jambs updated, installation of sill end dam added, details of Invisio handle added.	S.G	11,13-16
	15-05-018	Foam installation at weepholes was included.	M.C	4,17
	16-06-018	Installation of ADA sill added.	S.G	4,17
	02-08-018	Reticulated foam added on sill tack and sill exposed weep holes . Adhesive foam removed from exterior weep holes.	S.G	23, 40
	06-09-018	Crest handle lock screw updated to M4 x40mm, Installation of the five tracks cover added, Bumper updated.	S.G	23,32,38
	03-10-18	installation of screen adaptor added	S.R	41
	06-02-19	Box screen installation added	E.S	42-43
	05-05-19	Screen plastic guide installation added	S.G	44
	10-05-19	Plug installation added (EMP-737) on drains.	A.G	40
	25-05-19	Aluminum plate (ALU-P-008) installation for interrupted frame 2,3,4,5 tracks added; Plastic plug to cover roller adjusting holes was replaced by TAPON 2-500 plug.	K.L	18,19,20, 21,43
	22-07-19	Note for plush and plugs installation added.	K.L	28,30,44

INSTALLATION INSTRUCTIONS

REVISION No.	FECHA	DESCRIPTION	BY.	PAGE.
 17	01-09-019	Installation instructions for pile pads	A.G	30-32
 18	01-10-19	Installation instructions for balance guide	A.G	51
 19	27-11-19	Sealant application at joints for interrupted frame updated.	E.S	18
 20	27-01-20	New reinforced profiles replaced; installation of fixed panel clips updated.	E.S	29,30, 37-47
 21	16-03-20	ES-SGD2020-C02 WEEP COVER installation added (weep foams inserted on sill holes replacement).	E.S	47
 22	APRIL 30-2020	Detail added for installation of exterior flush handle and turn lever for configurations with screens	A.G	39
 23	MAY 07-2020	Added detail for weep hole cover installation, accessory name for ES-SGD2020-C02 WEEP COVER changed to ES-SGD2020-C02 FOAM HOLDER.	A.G	27,47
 24	AUGUST 21-2020	Added detail for installation of new interlock end covers for heavy reinforced interlocks	A.G	28
 25	JANUARY 15-2021	Added detail for sealant reinforcement in interrupted frame conditions	A.G	22
 26	MAY 11-2021	Interlocks reference updated; step 14 Screen Installation organized and updated.	E.S	14,29-31, 43-54
 27	JUNE 26-2021	Fixed panel installation note was added: it was specified that the distance from the edge of the jamb to the edge of the stile should be 2 1/16".	J.A	43
 28	JULY 26-2021	Retic foam 30PPI WPSA-N1 3/4*3/4*2 Installation added; foam holders installation step re-organized and updated.	E.S	28, 35
 29	MARCH 04-2022	Fixed panel guides ES-SGD2020-P01 installation added.	E.S	37
				
				

Av. Circunvalar a 100 mts de la Via 40 Las Flores
Barranquilla, Colombia PBX: (57 5) 3664600
service@eswllc.com, PBX: (+1) 305 5074545

BY Sariel González