

# RAILING GATE

www.eswindows.com

ES-RG110



## System description

- Adaptable modular glass gate system.
- Swing gate with locking device.
- For embedding into concrete.
- Mullion size: Specific to each railing system's dimensions.
- Designed for 1/2" laminated glass.

## Features

- Adaptable to different railing systems.
- Pre-assembled & glazed.
- Locklatch & Mangalatch locking mechanisms available in black.
- Aluminum hinges available in white, gray and bronze.

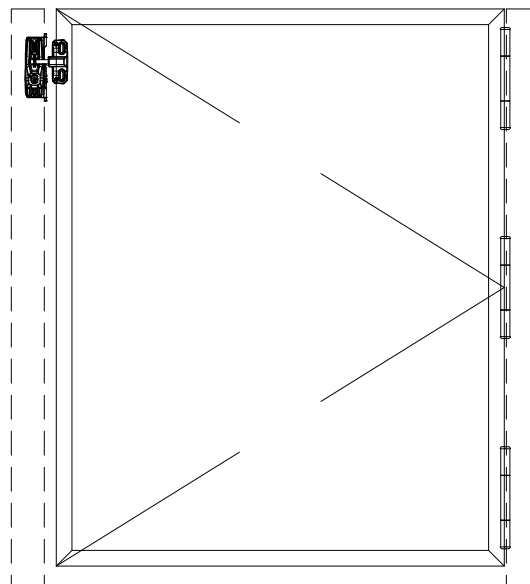
## Compatibility

Railing systems ES-RG110 gate system is compatible with:

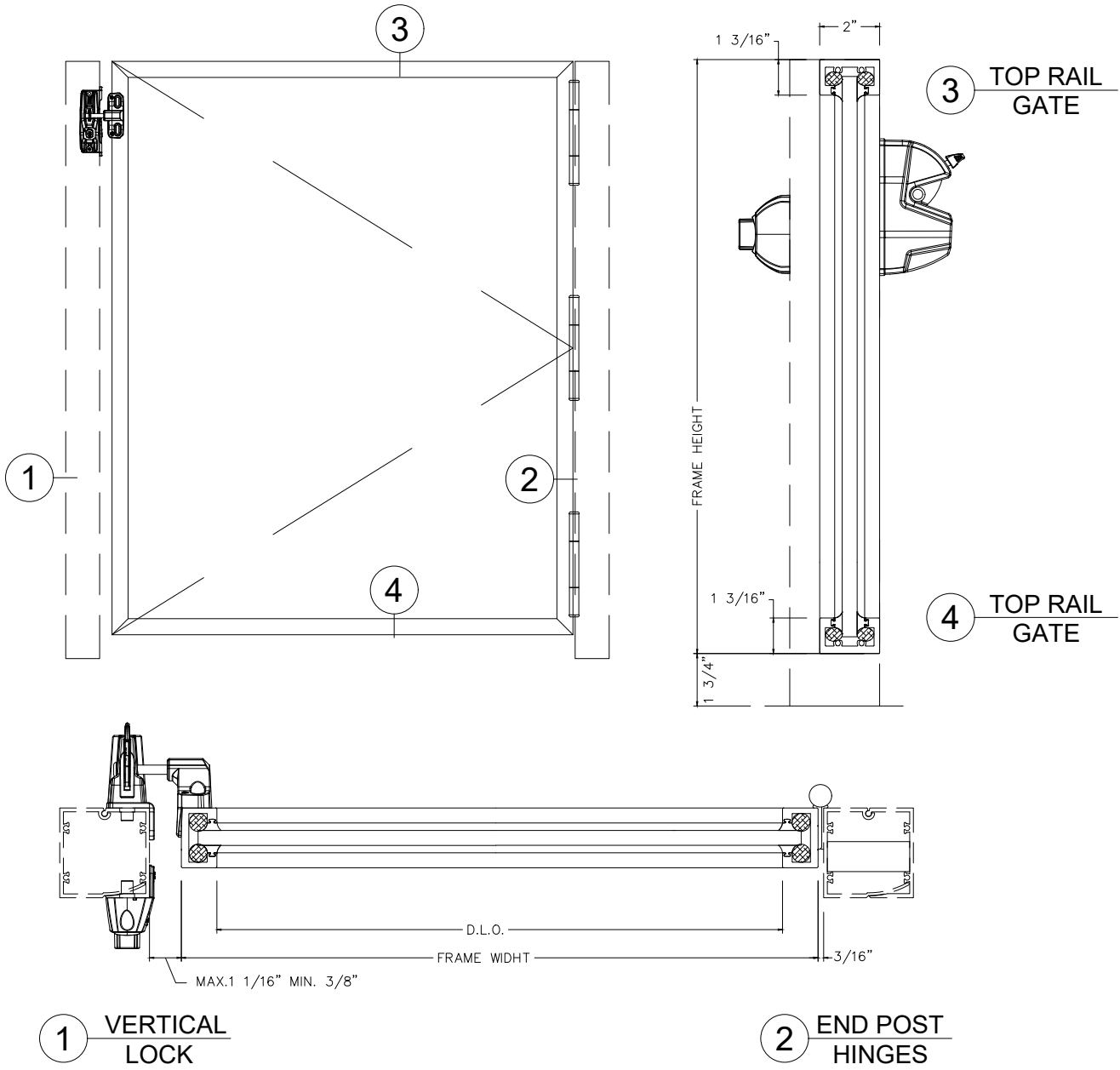
- ES-RL3030
- ES-RL3031
- NB-320
- NB-315
- ES-RL3525
- 050M
- ES-RL3520
- GMP-200

## Configurations

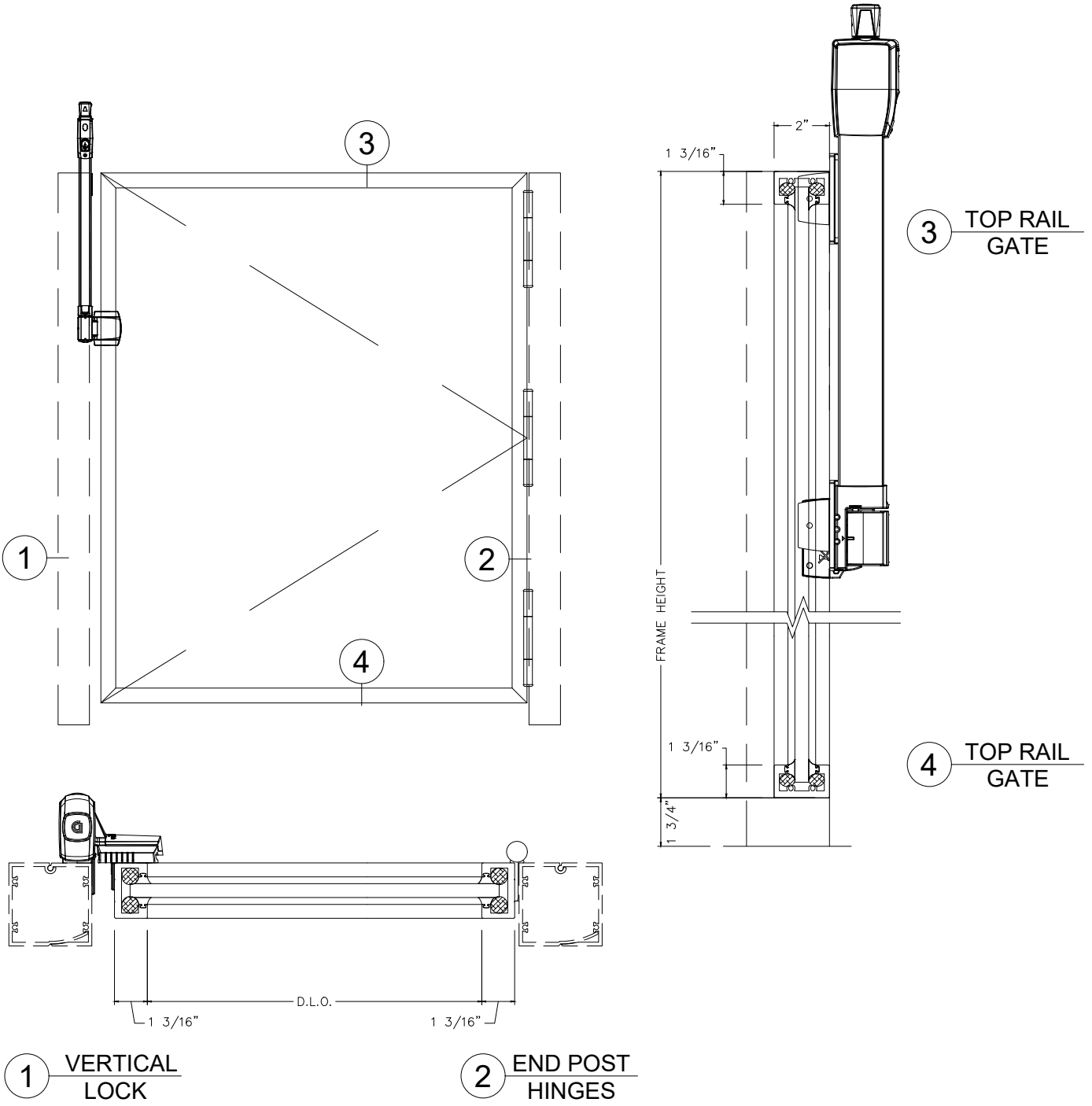
X



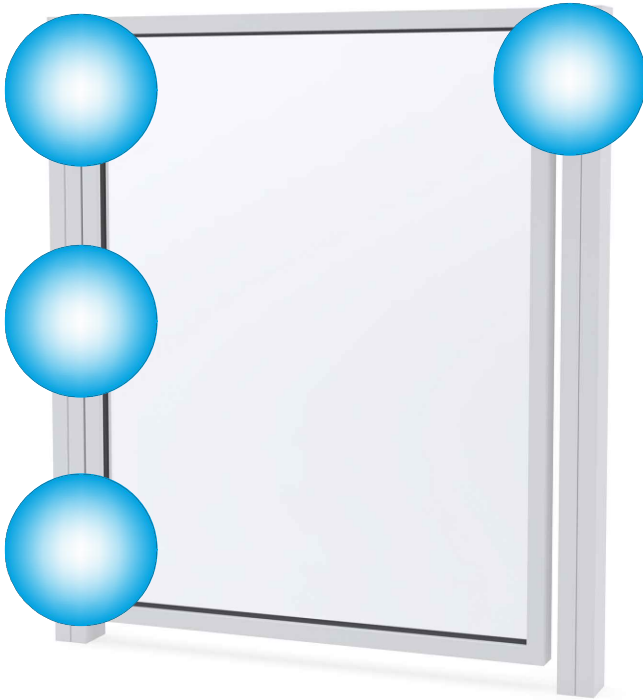
**System details**



System details

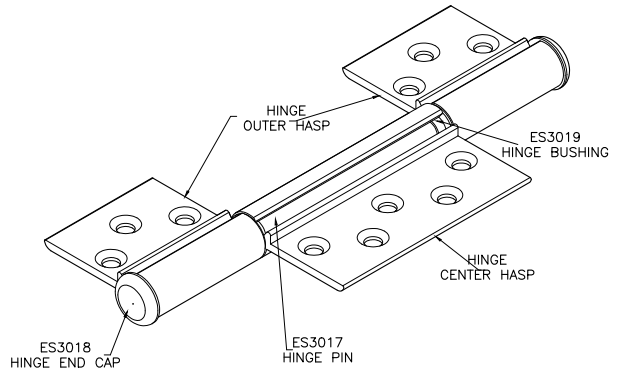


Accessories



- Locking mechanisms Locklatch Plus and Mangalatch available in black.
- FD-107-HINGES available in white, gray and bronze.

FD-107-HINGE



LOCKLATCH PLUS



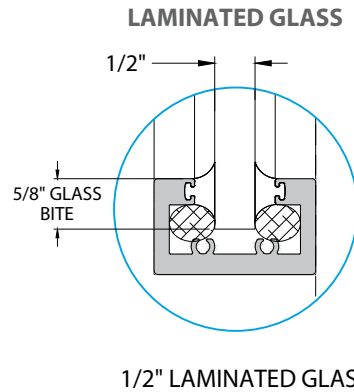
Taken from D&D Technologies.

MAGNALATCH



Taken from D&D Technologies.

## Glazing options



GLASS FINISH: PAINTED, SERIGRAPHY & DIGITAL PRINTED.

For more information please contact TECNOGLASS or visit [www.tecnoglass.com](http://www.tecnoglass.com)

### Aluminum

ALLOY 6063-T6  
ALLOY 6005-T5

For further information about aluminum and finishes, consult ALUTIONS®.

### Sealant

APROVED SILICONE SEALS:

WEATHERPROOFING SILICONE:

Used to seal profile unions to avoid air and water infiltration.

STRUCTURAL SILICONE:

Besides acting as a sealant it is capable to support high loads. This silicone is commonly used to support the glass in facades and hurricane resistant products.

### Measurements

Maximum tested size:

Panel width: 40 5/16".  
Panel height: 44 1/2".

Certifications might not consider every configuration. Tests values correspond to the highest values obtained for some configurations; they can vary and may not apply to all. **VERIFY APPROVAL FOR EACH SPECIFIC CONFIGURATION.**