

SLIDING GLASS DOOR

www.eswindows.com

PH-3200



System Description

- Large and small missile impact rated.
- Frame depth: 6 1/16"
- Sill height: 3 3/8"

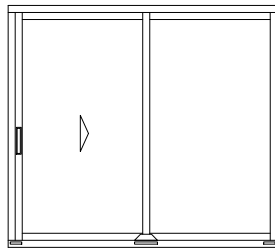
Features

- Two tracks configuration.
- 2 - 4 panels configurations.
- Optional screen for two tracks frame.

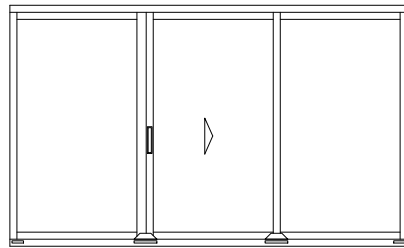
Test

- Air infiltration: 6.24 psf
- Water infiltration: 18 psf
- Design load: +120/-120 psf

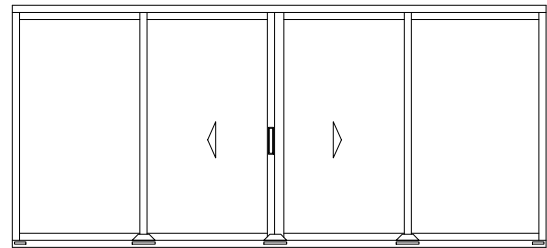
Configurations



XO/OX

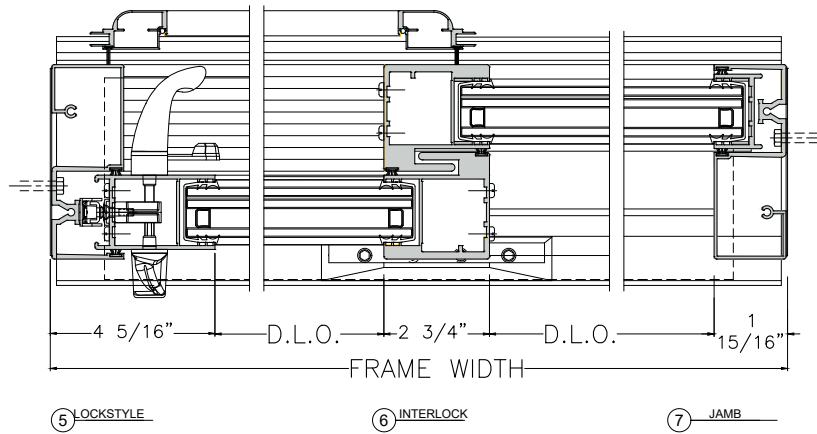
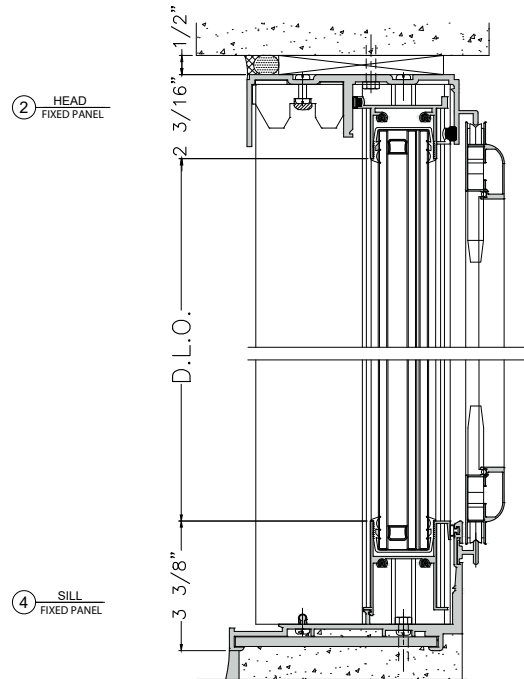
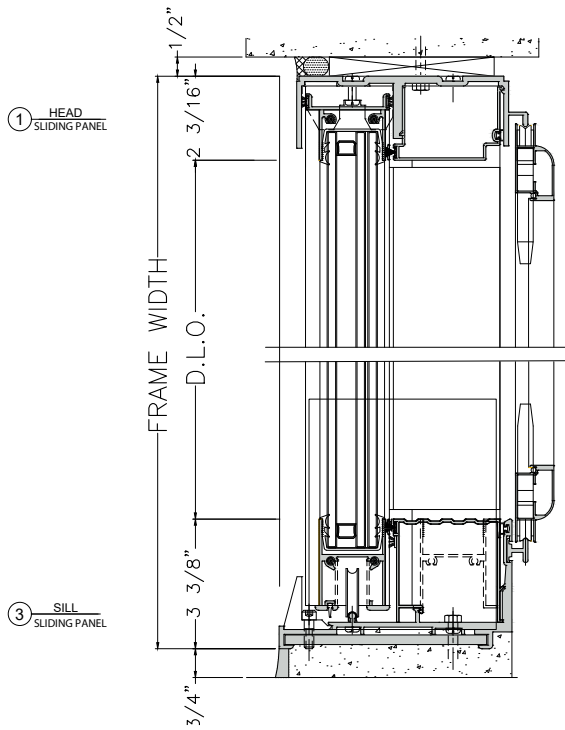
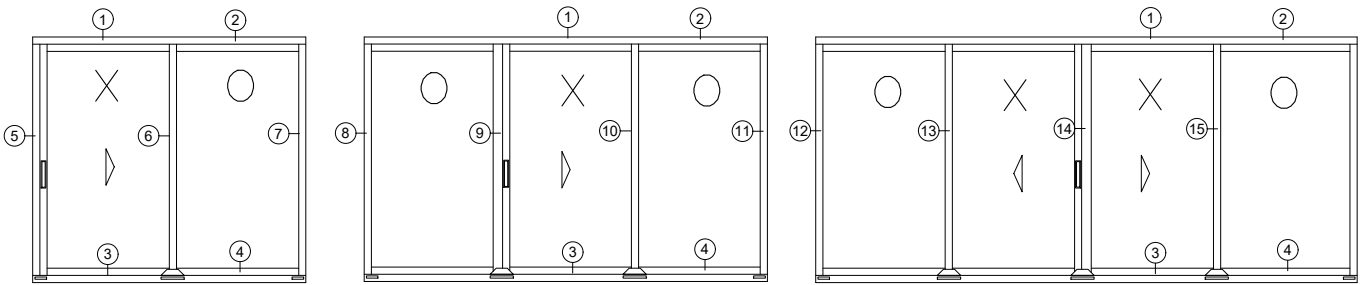


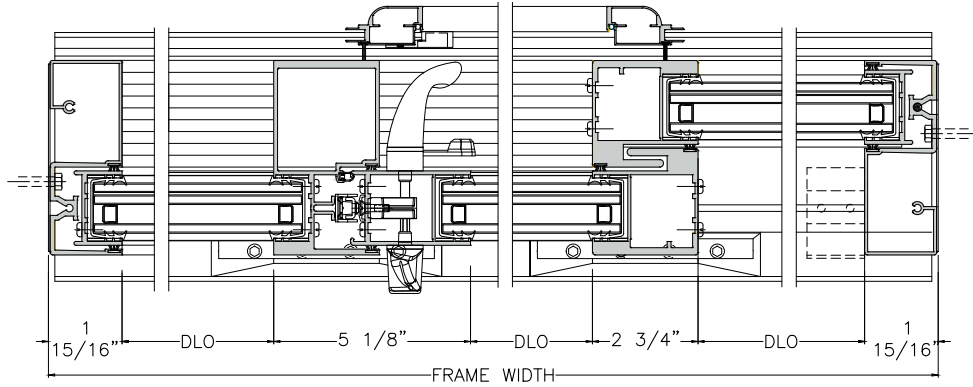
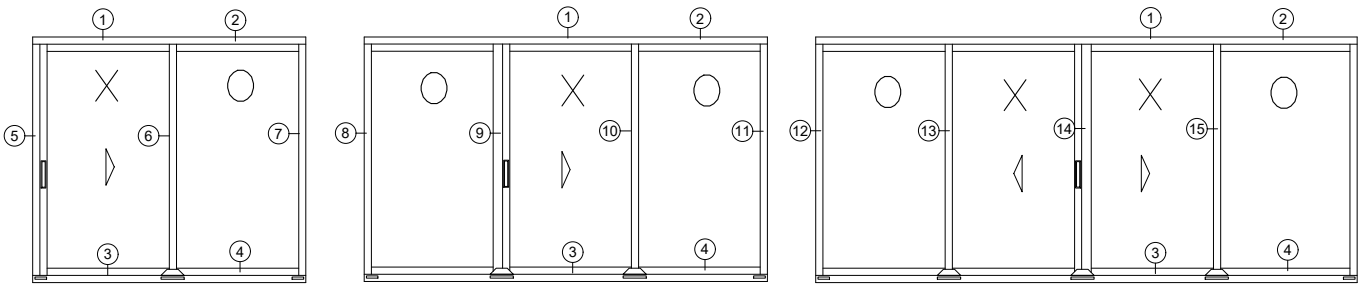
OXO



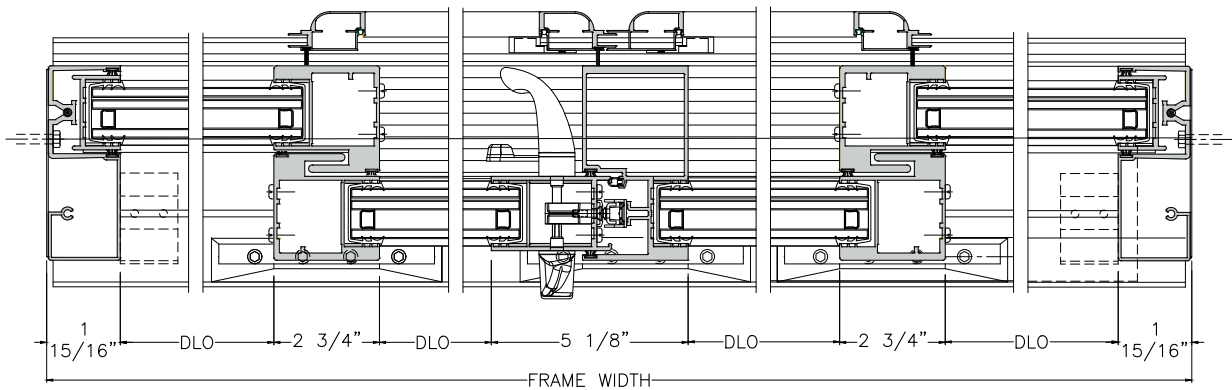
OXXO

Configurations: XO/OX, OXO, OXXO



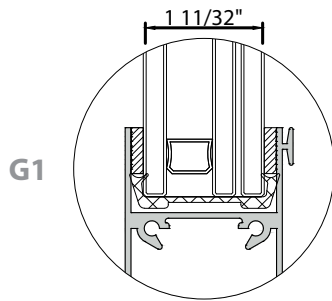


⑧ JAMB ⑨ ASTRAGAL ⑩ INTERLOCK ⑪ JAMB



⑫ JAMB ⑬ INTERLOCK ⑭ ASTRAGAL ⑮ INTERLOCK ⑯ JAMB

Glazing options



Designed for Insulating laminated glass

Large missile impact:

- G1: 1/4" TEMP. Glass + 1/2" Air spacer + 1/4" H.S. Glass + 0.090 Sentryglass + 1/4" H.S. Glass

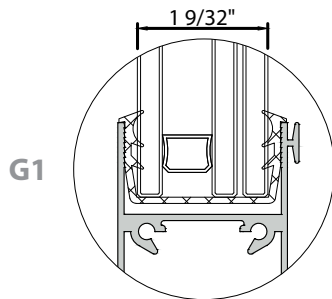
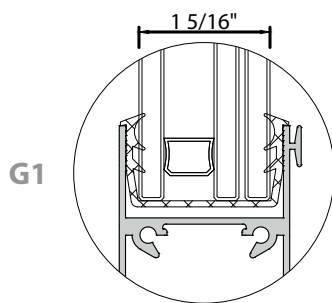
Small missile impact:

- G2: 1/4" TEMP. Glass + 1/2" Air spacer + 1/4" H.S. Glass + 0.060 PVB + 1/4" H.S. Glass.
- G3: 1/4" TEMP. Glass + 1/2" Air spacer + 1/4" H.S. Glass + 0.035 PVB + 1/4" H.S. Glass.

GLASS FINISH:

PAINTED, SERIGRAPHY, DIGITAL PRINTED

For more information please contact TECNOGLASS® or visit www.tecnoglass.com



Aluminum

ALLOY 6063-T6
ALLOY 6005-T5

For more information about aluminum and finishes consult ALUTIONS®.

Sealant

APPROVED SILICONE SEALS:

WEATHERPROOFING SILICONE:

Used to seal profile unions to avoid air and water infiltration.

- Dowcorning 791 (Black-White)

STRUCTURAL SILICONE:

Besides acting as a sealant it is capable to support high loads. This silicone is commonly used to support the glass in facades and hurricane resistant products.

- Dowcorning 983
- Dowcorning 995

Measurements

Maximum tested sizes:

119 1/2" x 49 1/2" per panel.