

STOREFRONT SYSTEM

www.eswindows.com

ES-8000T



System Description

- Large missile impact.
- Frame depth: 5".
- Thermally broken system.
- Designed for: Insul-lam. glass.

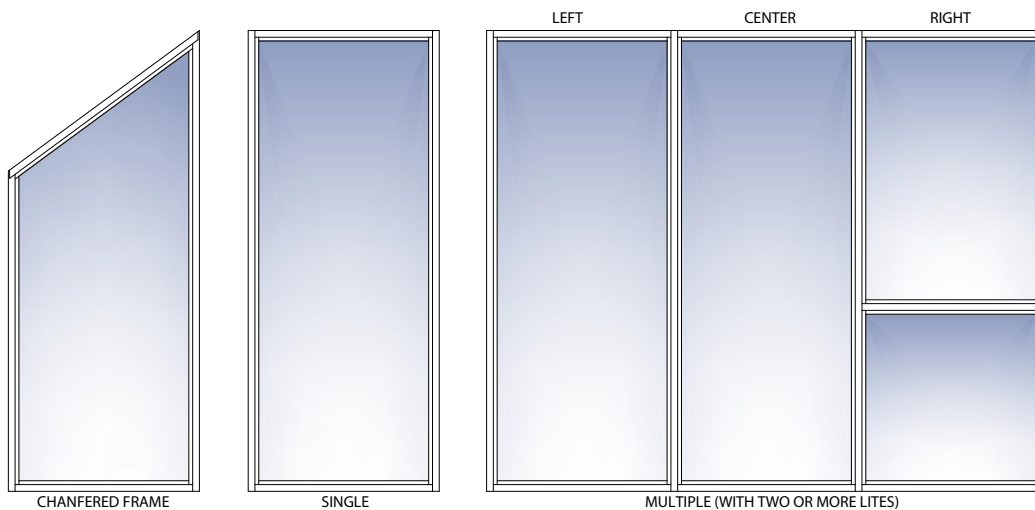
Features

- Screw cover.
- Pour and debris.
- Pre-assembled and pre-glazed.
- Surface applied ogee or flat muntins.

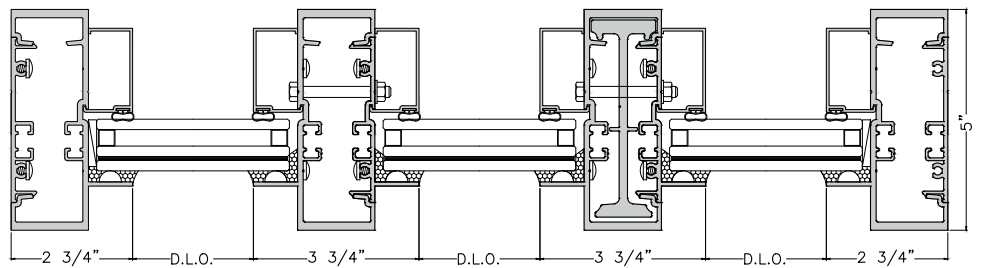
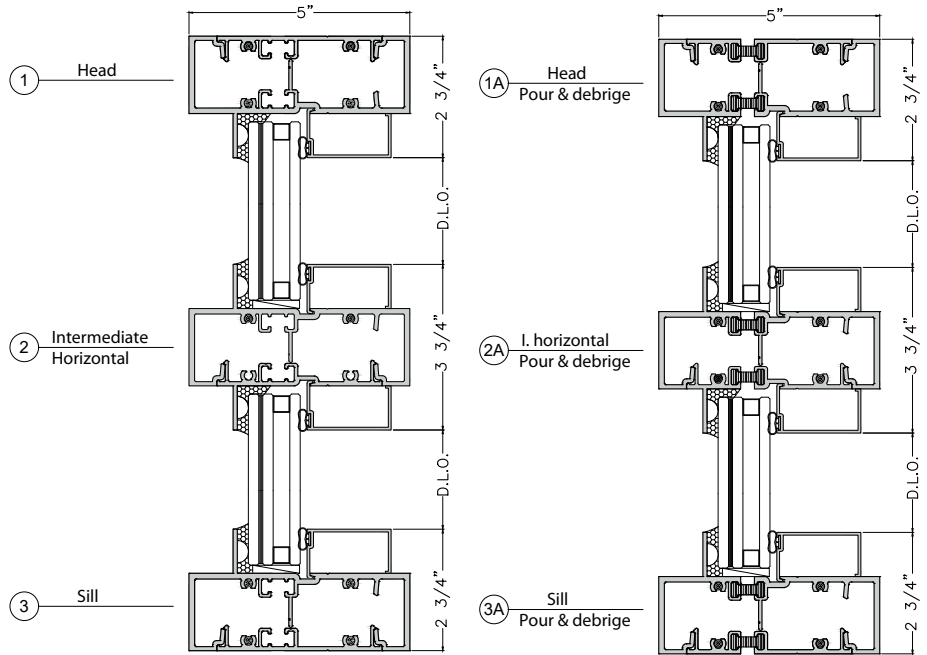
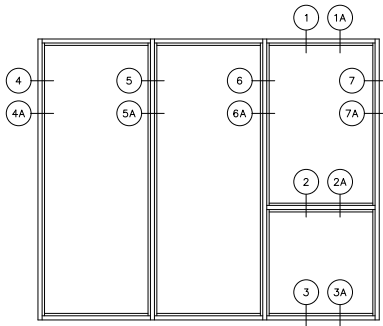
Test

- Design loads: +90/-120 psf.
- Water infiltration: 13.5 psf.
- Air infiltration: 6.25 psf.

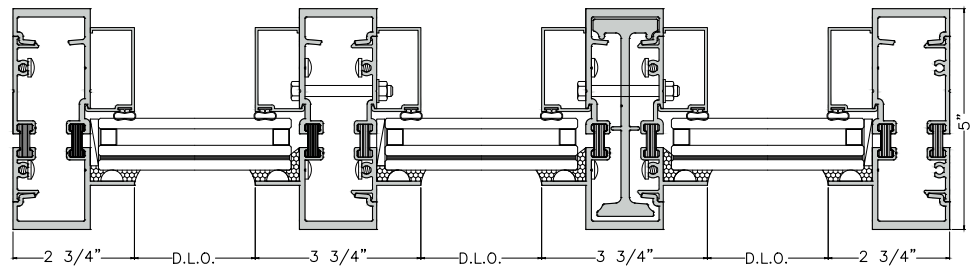
Configurations



System details



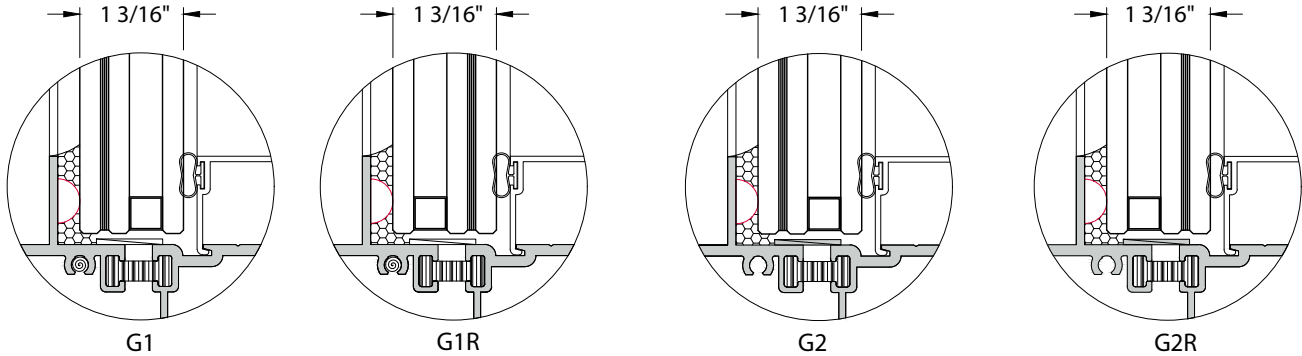
4 Left jamb 5 Vertical mullion 6 Vertical mullion with reinforcement 7 Right jamb



4A Left jamb Pour & debris 5A Vertical mullion Pour & debris 6A Vertical w. reinf. Pour & debris 7A Right jamb Pour & debris

Glazing Options

Large missile impact:



- G1: 1/4" Heat Stren'd glass + .090" PVB + 1/4" Heat Stren'd glass + 3/8" Air spacer+1/4" Temp. glass.
 G1R: 1/4" Temp. glass + 3/8" Air spacer + 1/4" Heat Stren'd glass + .090" PVB + 1/4" Heat Stren'd glass.
 G2: 1/4" Heat Stren'd glass + .090" Sentryglass + 1/4" Heat Stren'd glass + 3/8" Air spacer+1/4" Temp. glass.
 G2R: 1/4" Temp. glass + 3/8" Air spacer + 1/4" Heat Stren'd glass + .090" Sentryglass + 1/4" Heat Stren'd glass.

GLASS FINISH: Painted, serigraphy and digital printed.
 For more information contact TECNOGLASS® or visit www.tecnoglass.com.

Measurements

Maximum sizes per panel:
 Width: 44 1/4" Height: 144"

Aluminum

ALLOY 6063-T6
 For more information about aluminum and finishes consult ALUTIONS®.

Sealant

APPROVED SILICONE SEALS:

WEATHERPROOFING SILICONE:

Used to seal profile unions to avoid air and water infiltration.

STRUCTURAL SILICONE:

Besides acting as a sealant it is capable to support high loads. This silicone is commonly used to support the glass in facades and hurricane resistant products.