

INSTALLATION INSTRUCTIONS - NOT PROJECT SPECIFIC

---

# ES-45T/46T



# HSEQ REGULATIONS

Read all instructions carefully before attempting this procedure. If you have any questions about your ability to complete this procedure, contact ESWINDOWS for further direction.

If swing stages are required for installation, the HSEQ inspector must approve the permissions.

- Wear the necessary personal protective equipment for product installation.
- Take safety precautions when performing the activity.
- Please follow the steps and make sure you have appropriate personal protective equipment and follow the rules established by the guidance for working at height, if required to do so.

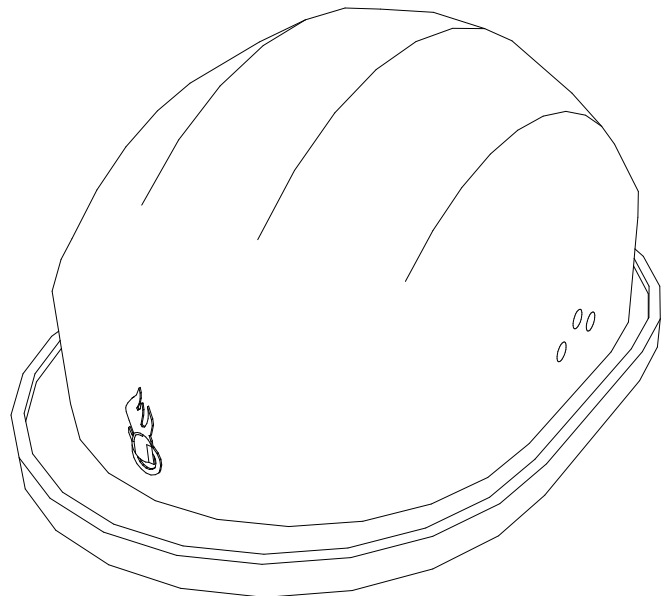
## IMPORTANT:

Contractors must have and execute an adequate QA/QC policy to guarantee the product installation is within industry standards and ESW guidelines. Once the product is received in acceptance by the contractor, any damage or installation problems are no longer responsibility of ESWINDOWS.

# INTRODUCTION

ES - 45T/46T, is a balcony door system. This guide illustrates step by step how to install the system properly.

Prior to installation process check that all parts and materials are in right conditions, verify that the quantities and descriptions match production drawings.



# INSTALLATION INSTRUCTIONS

TOOLS AND SUPPLIES REQUIRED FOR INSTALLATION.....Page. 2

PARTS REQUIRED FOR INSTALLATION.....Page. 3

## INSTALLATION

STEP 1  
Inspection and Verification..... Page. 4

STEP 2  
Install Frame..... Page. 5-9

STEP 3  
Install Leaf..... Page. 10-11

STEP 4  
Install Transom..... Page. 12-13

Install Sidelites..... Page. 14-15

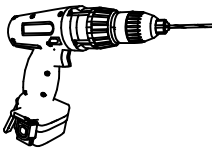

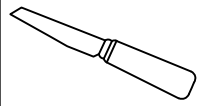
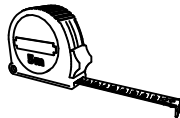

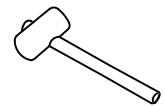
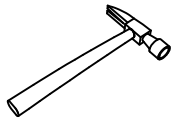
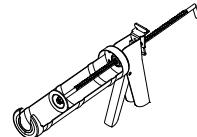

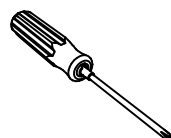

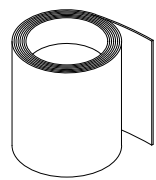
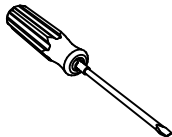
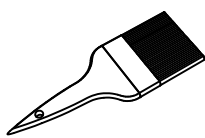

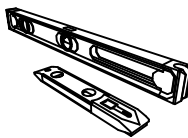
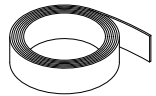


STEP 5  
Weep hole covers installation.....Page. 16

STEP 6  
Install the Handle.....Page. 17-18

STEP 7  
Perimeter seal..... Page. 19






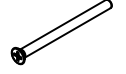


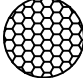
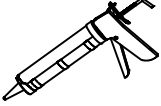
## INSTALLATION CHECKLIST

## REVIEW

TOOLS AND SUPPLIES FOR INSTALLATION					
Detail	Description	Detail	Description	Detail	Description
	Drill		Plumb		Knife
	Measure tape		Thread		Mallet
	Hammer		Industrial Silicone gun		Point
	Phillips screwdriver		Bits for concrete		Clean rag
	Slot screwdriver		Brush		Safety gloves
	Level		Masking tape		Safety glasses
	Plastic shims				



Use any additional tools that may be required for the installation process.

PARTS REQUIRED FOR INSTALLATION		
PART		DESCRIPTION
BF01-6550		2 POINT LOCK MECHANISM PINNACLE 2P 35mm Ext'd F/P LKG *
DL01-6115-XXX		ACTIVE HANDLE *
DL01-6102-XXX		DUMMY HANDLE *
W2AL		WEEP HOLE COVER *
DL01-6285		HANDLE PIN *
DL01-5004		ATTACHMENT SCREWS *
ES-45T-019		HEAD / JAMB OPTIONAL STRAP ANCHOR
ES-45T-015		SIDELITE GLASS STOP COVER REGULAR
---		BACKER ROD
-		SILICONE



\* Omit these accessories if they are already installed on the product.

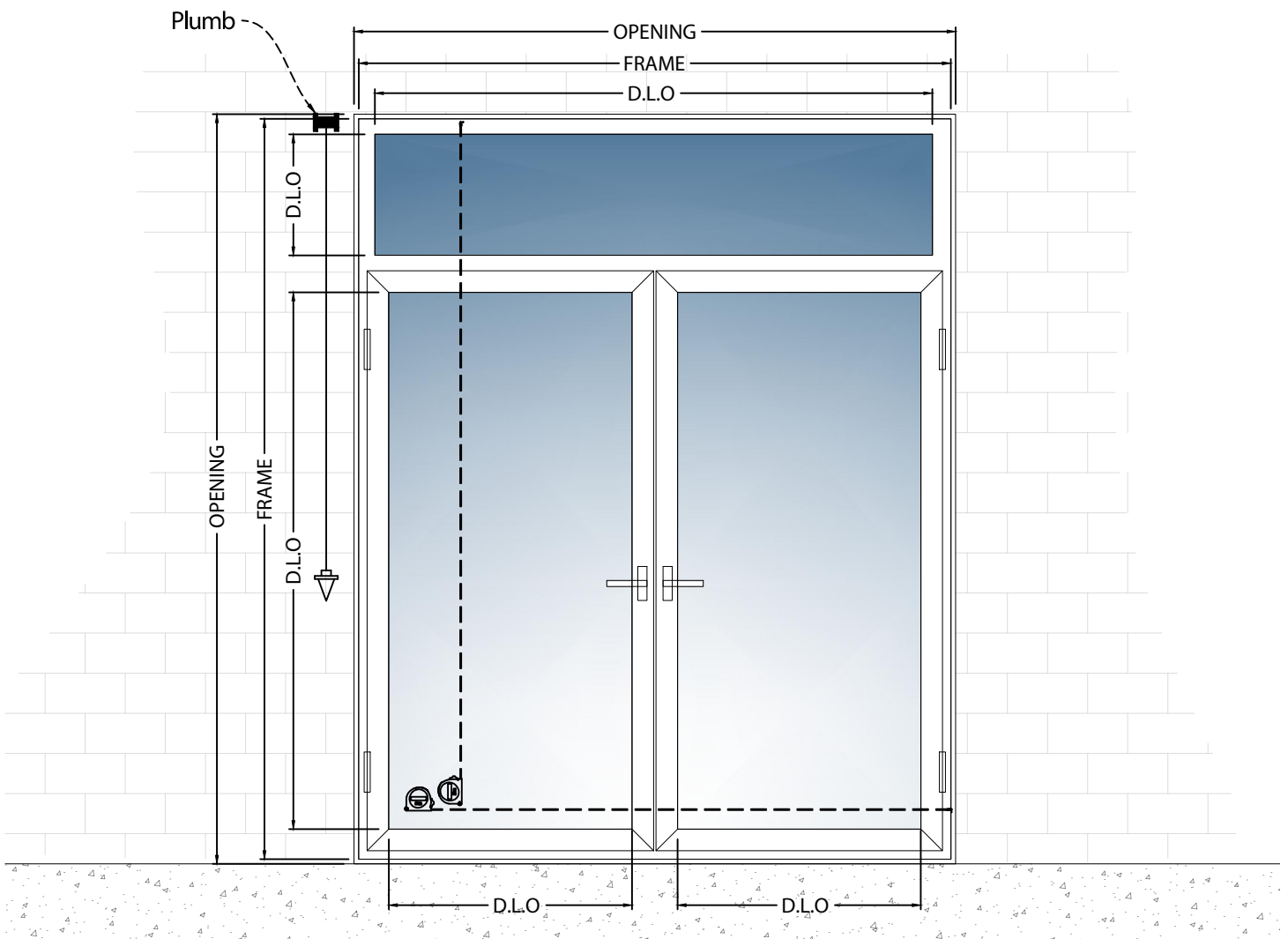


Verify technical manuals and guides by sealant manufacturers to apply silicone correctly.

# STEP 1

## INSPECTION AND VERIFICATION:

- 1.1. Verify the rough opening for the correct size as determined by dimensions listed in architectural specifications and shop drawings.
- 1.2. Check all the material upon arrival for quantity and damage.
- 1.3. Remove all materials that interfere with the proper installation of the unit.
- 1.4. If you have any irregularities notify ESWINDOWS.

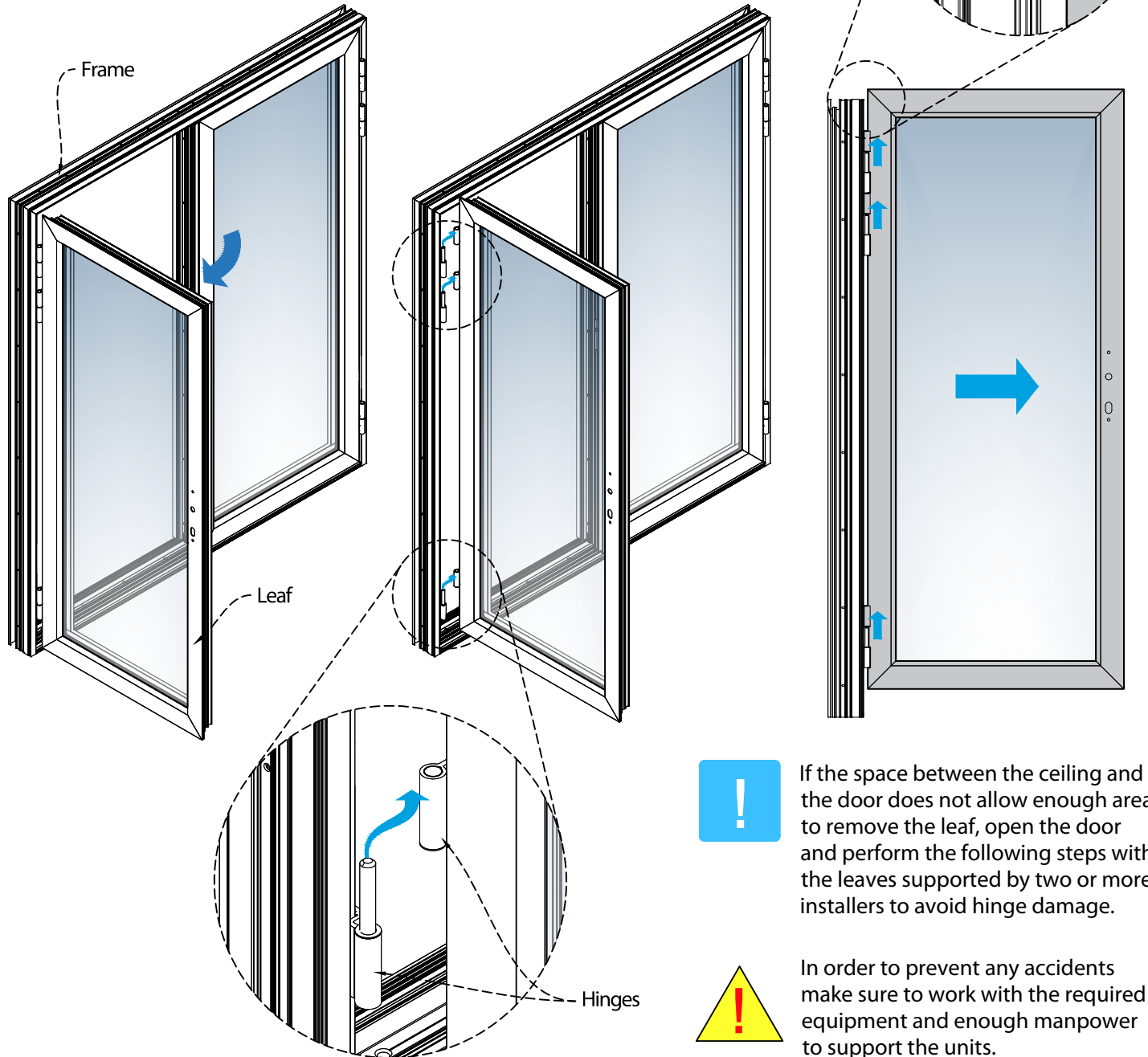


# STEP 2

## INSTALL FRAME:

2.1. Remove the leaf. Open the door and separate it from the frame by lifting it up and disengaging the hinges, as shown in the details below.

Verify the space between the ceiling and the door allows the distance required to remove the leaf.



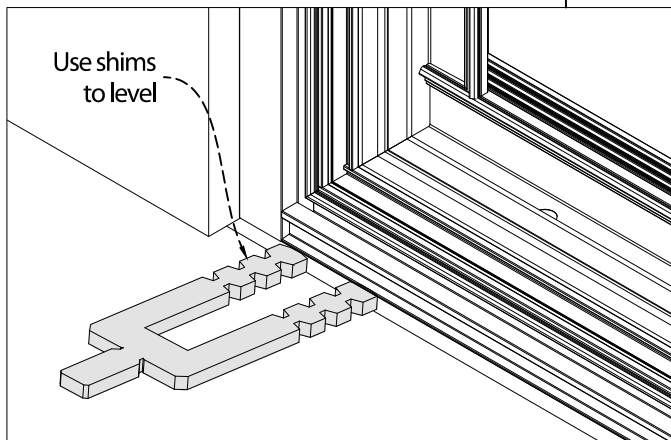
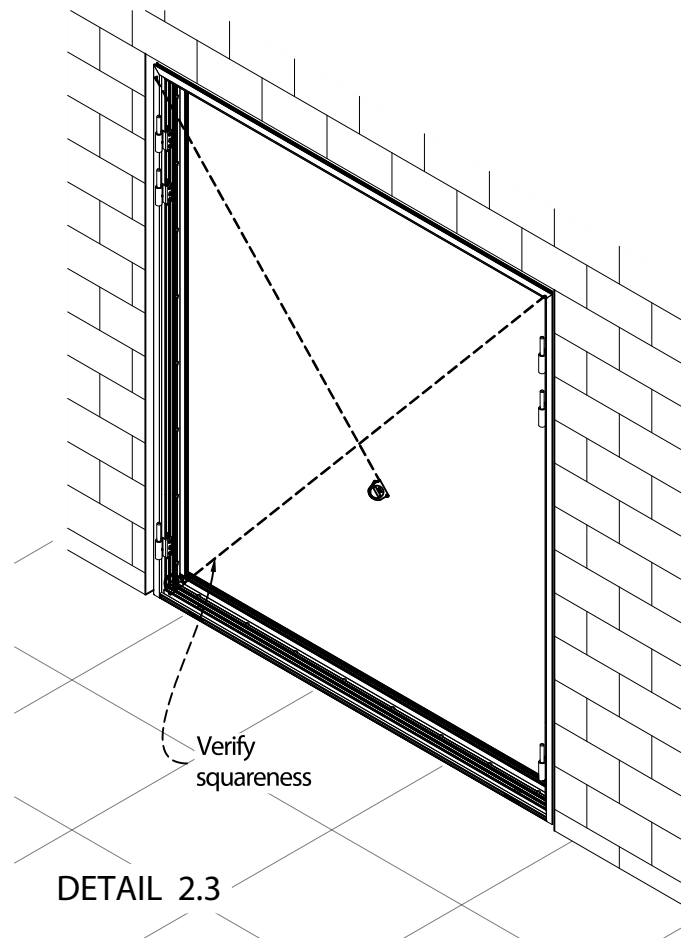
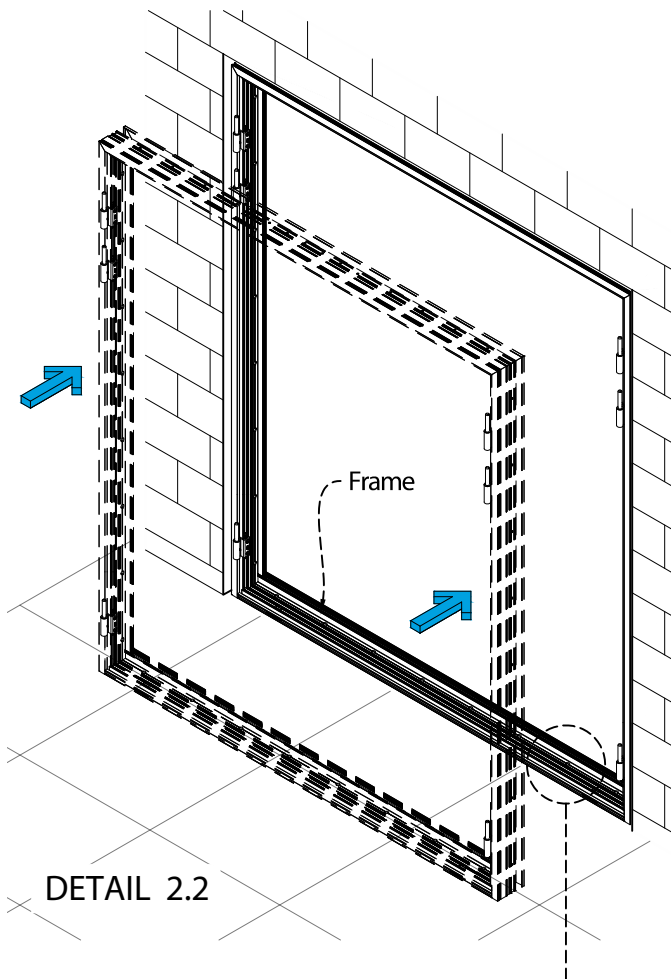
If the space between the ceiling and the door does not allow enough area to remove the leaf, open the door and perform the following steps with the leaves supported by two or more installers to avoid hinge damage.



In order to prevent any accidents make sure to work with the required equipment and enough manpower to support the units.

2.2. Clean the opening and place the frame. Level the sill, head and jambs using the shims as shown in detail 2.2.

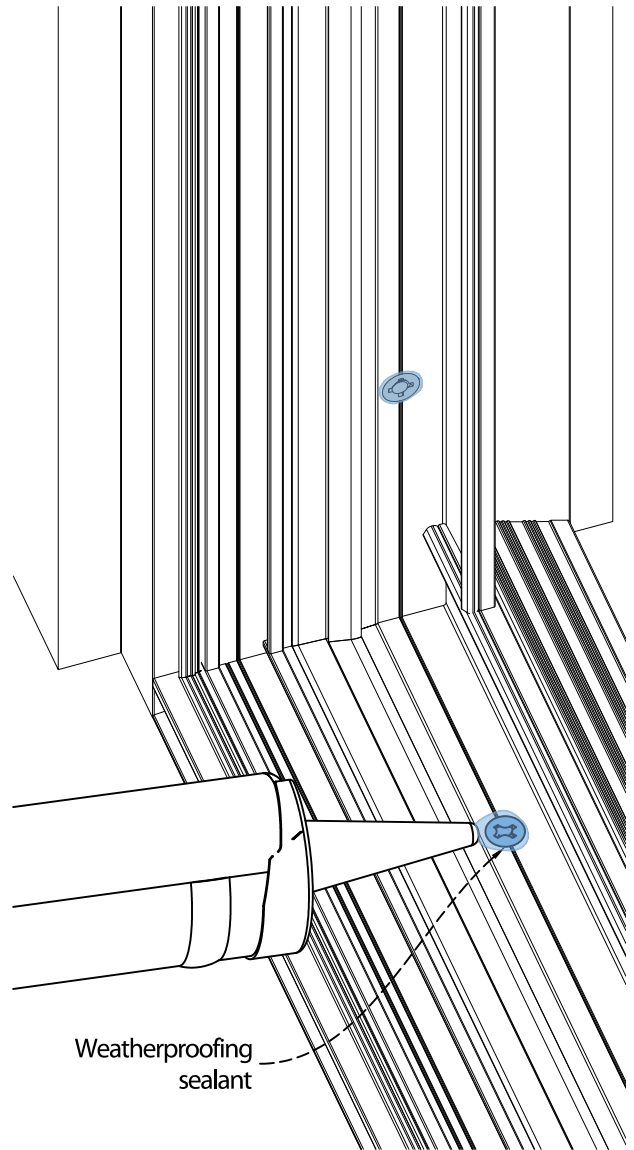
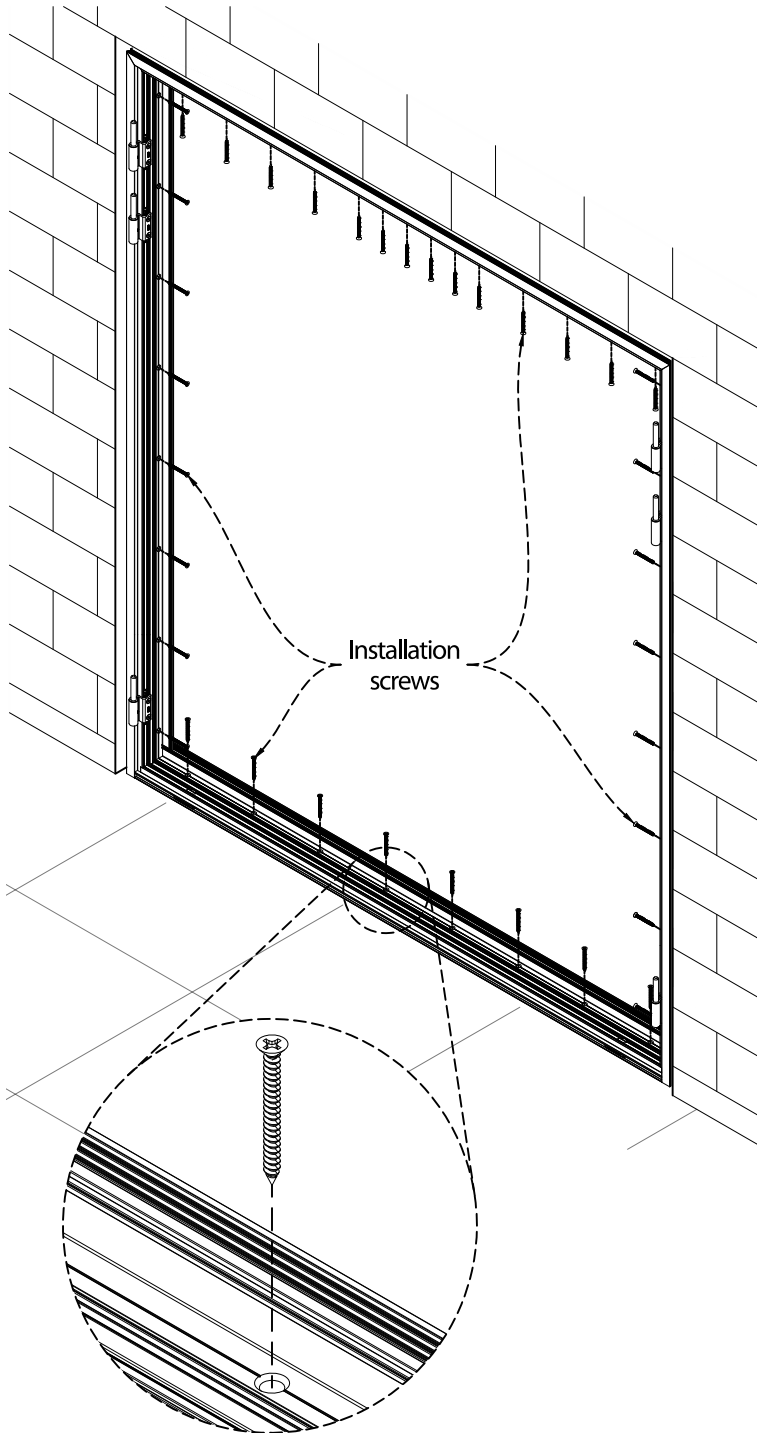
2.3. Check frame for squareness by measuring diagonally across the frame at identical parts.



Use only high density plastic shims to level the frame. Do not use any other materials or elements.



- 2.4. Fix the frame, use the holes in the frame to put the anchors. See the architectural specifications in the shop drawings to verify the spacing of the anchors.
- 2.5. Apply sealant to the top of the anchors as shown in detail below.



Verify technical manuals and guides by sealant manufacturers to apply silicone correctly.

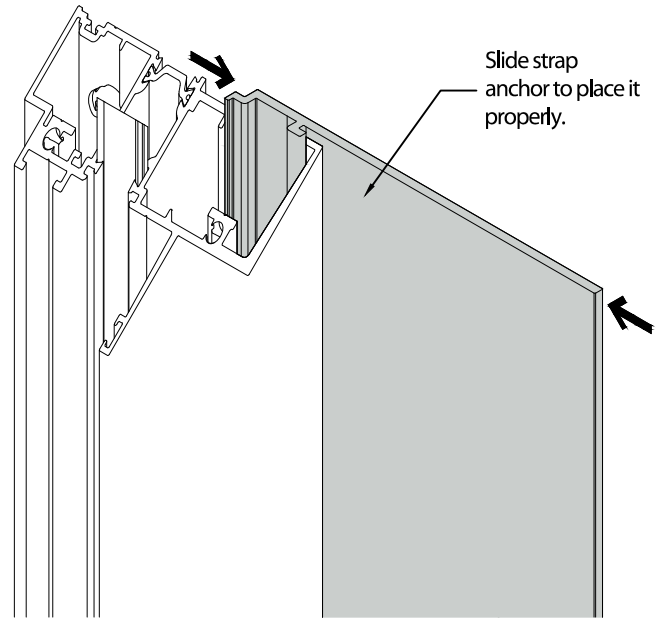
## INSTALL FRAME WITH STRAP ANCHOR:

2.6. Insert strap anchors (A) and slide (B) into the head/sill or jambs per required, as shown in detail.

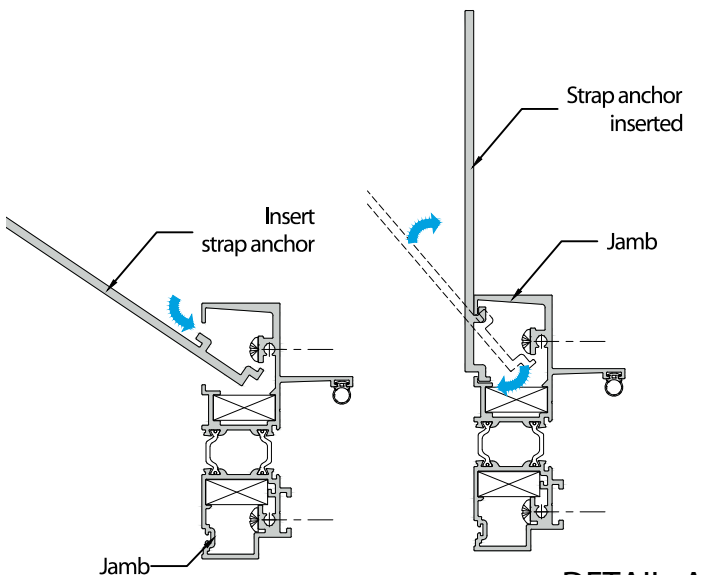
2.7. Clean the opening properly, place the frame and install by following steps 2.2 - 2.5 (page 6-7).



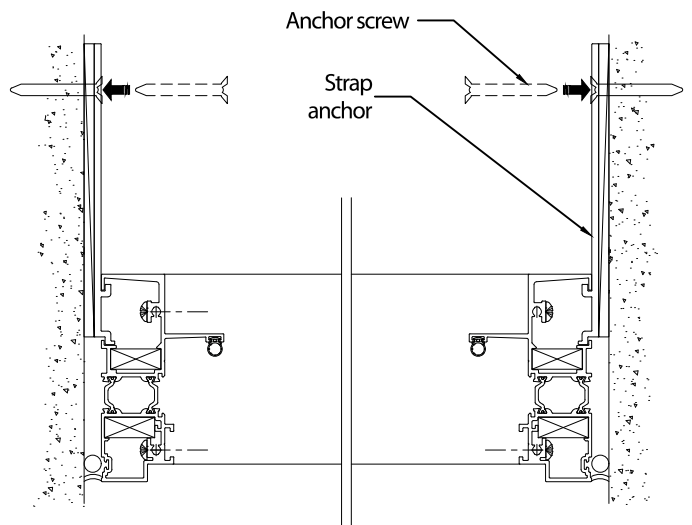
Verify structural specifications for strap anchor location.



DETAIL B



DETAIL A



DETAIL 2.7

2.8. Before installing the leaf, verify the adjustment of the hinges. If required, adjust as shown in the following details.

**Regulación horizontal - Horizontal adjustment**

Diagram illustrating the horizontal adjustment of the hinge. The adjustment is performed by moving the hinge vertically and adjusting the plate. The adjustment scale ranges from +1.5 mm to -1.5 mm. A torque wrench icon is shown at the bottom right.

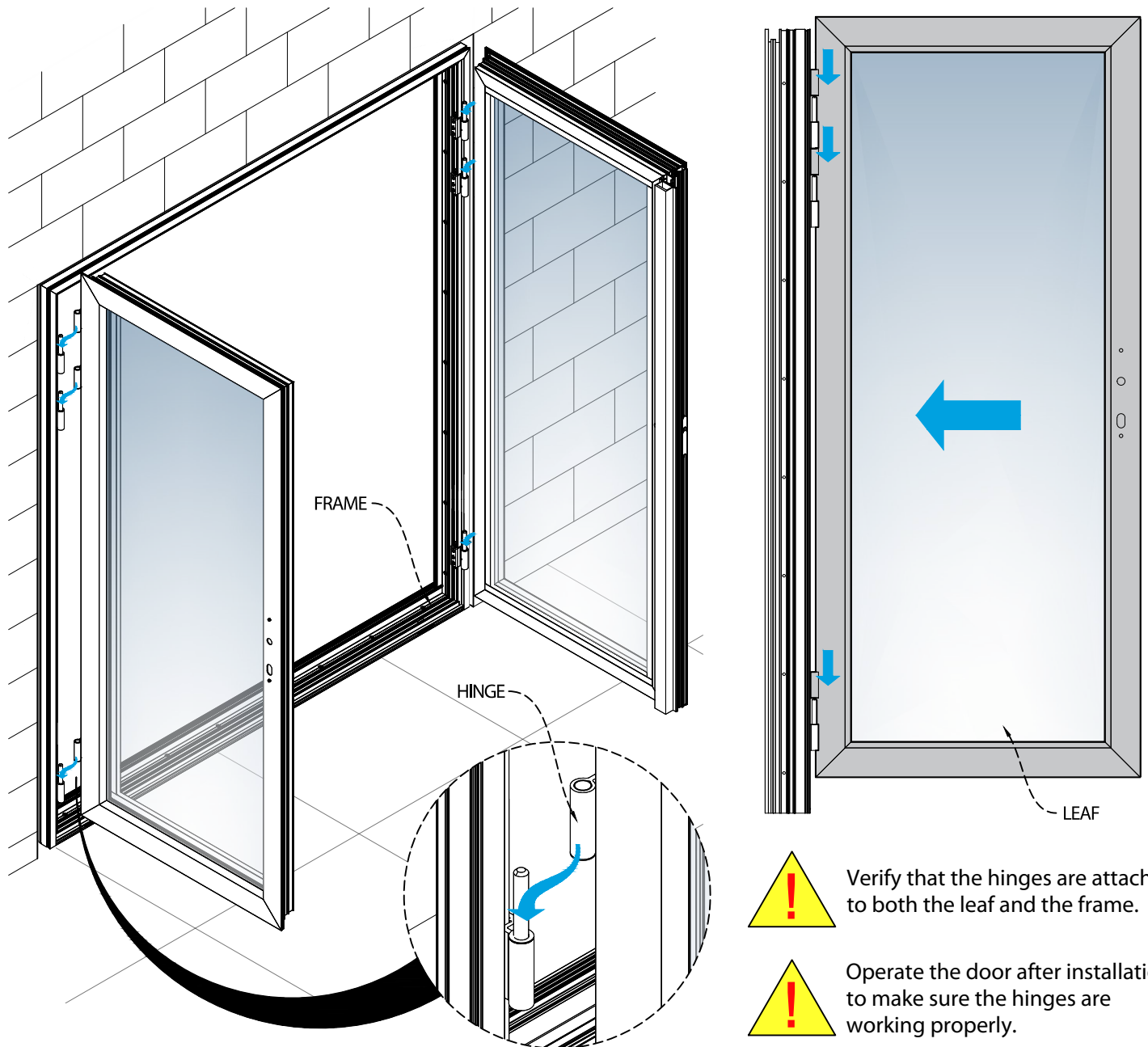
**Regulación vertical - Vertical adjustment**

Diagram illustrating the vertical adjustment of the hinge. The adjustment is performed by moving the hinge horizontally and adjusting the roller. The adjustment scale ranges from +1.5 mm to -1.5 mm.

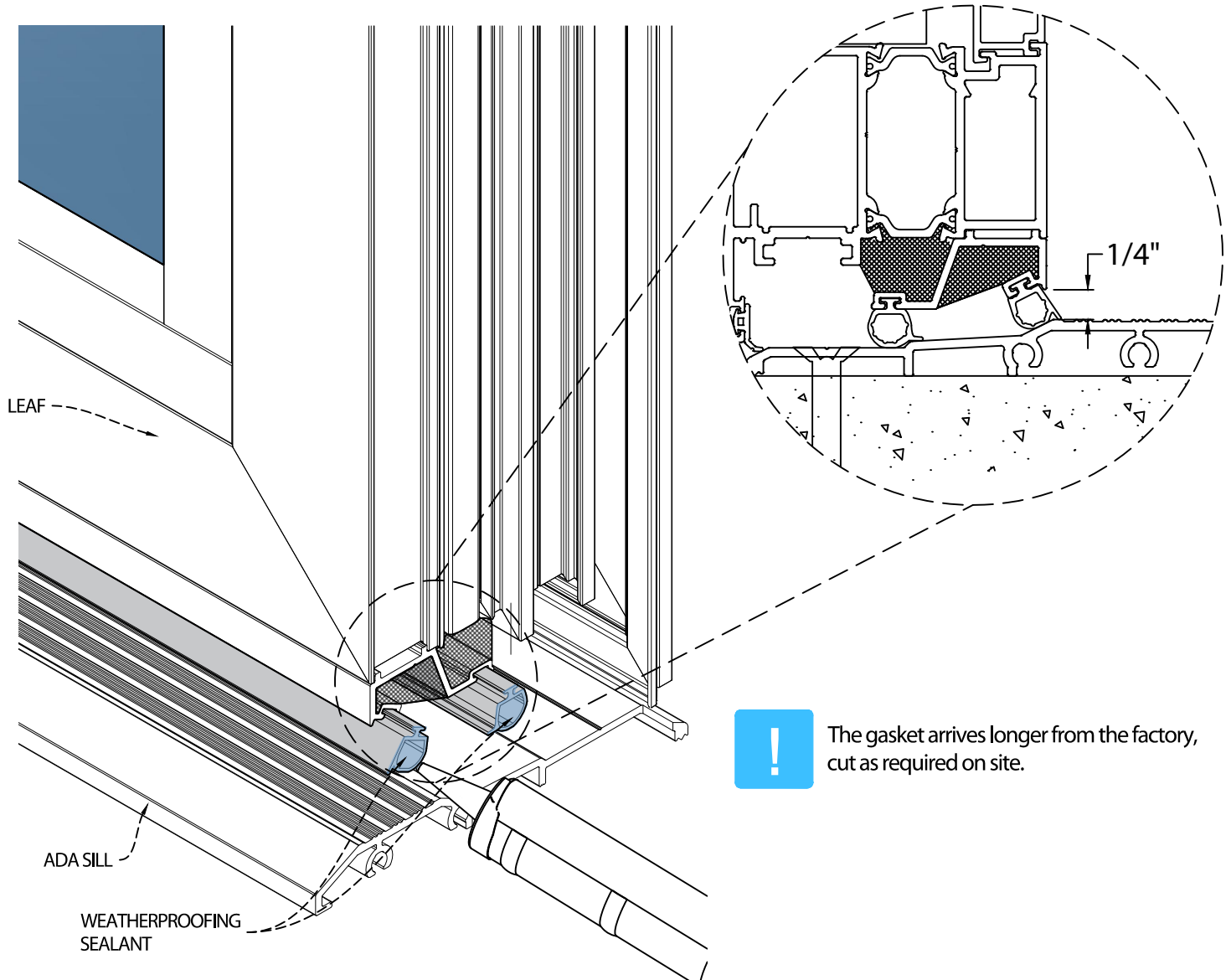
# STEP 3

## INSTALL LEAF:

3.1. Carefully lift the leaf and align the hinges with the pins on the frame. Once aligned, rest the leaf and repeat the process for the second one. Make sure to have enough installers to carry the weight of the units and avoid any accidents.



- 3.2. For doors with ADA sill, verify that the bulb gaskets located in the bottom of the leaf are creating compression with the sill and has a silicone seal on both sides. In case the seal is missing, apply weatherproofing sealant on both ends, as shown below.



The gasket arrives longer from the factory, cut as required on site.

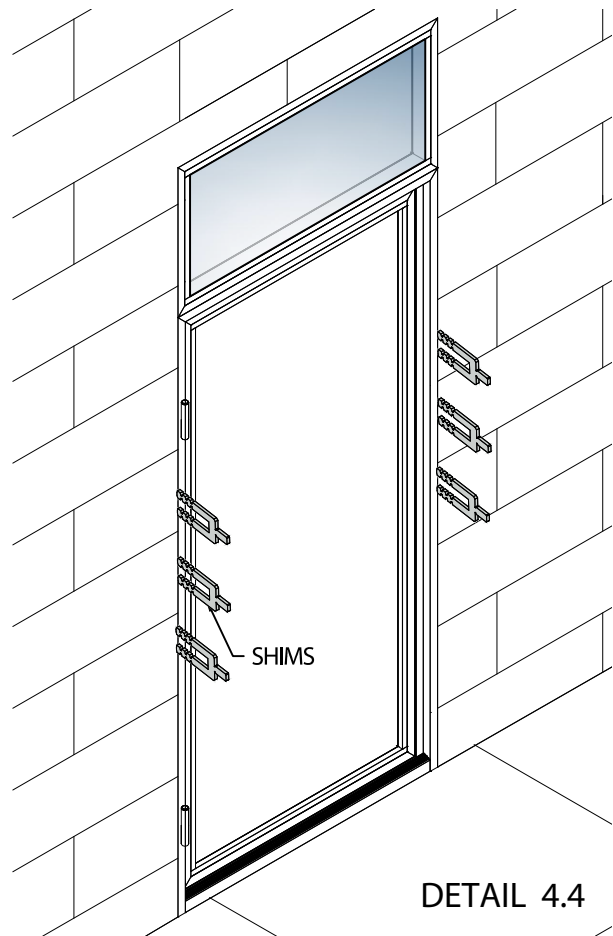
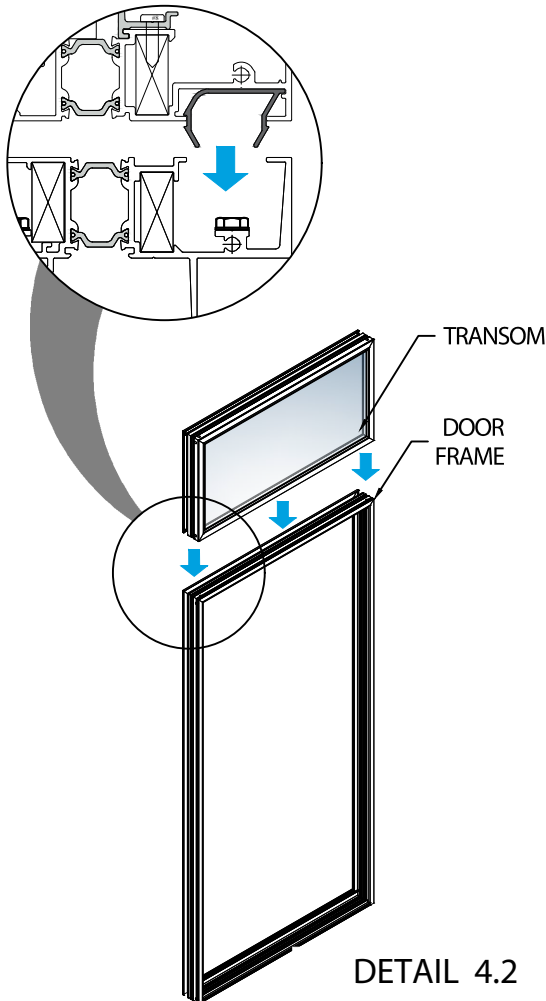
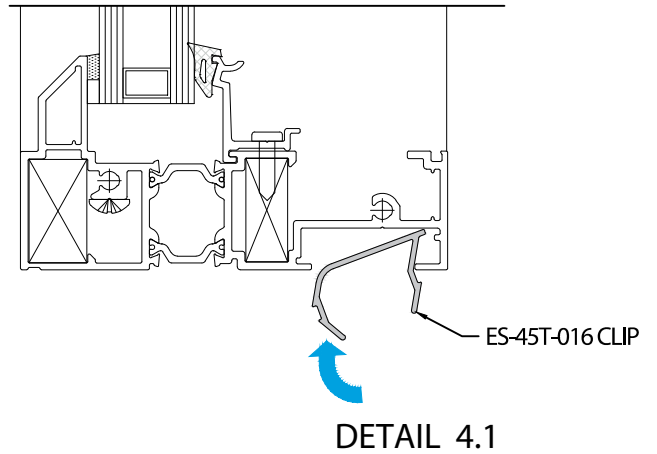
# STEP 4

## INSTALL TRANSOM:

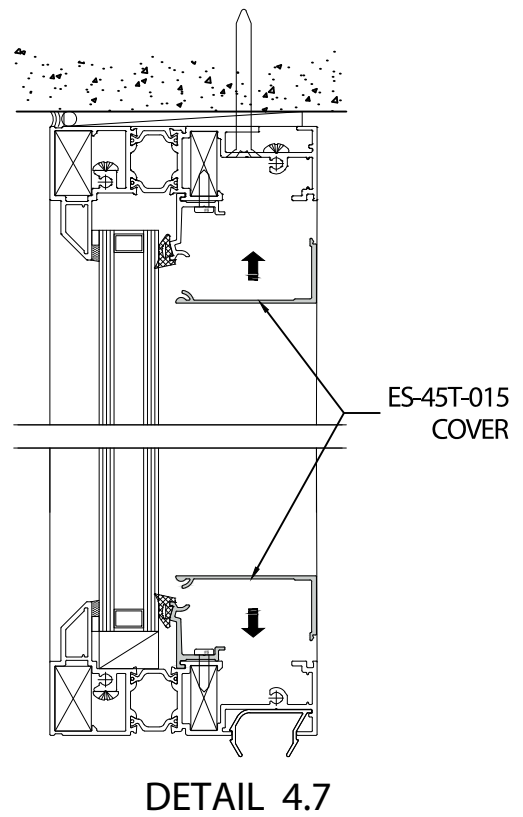
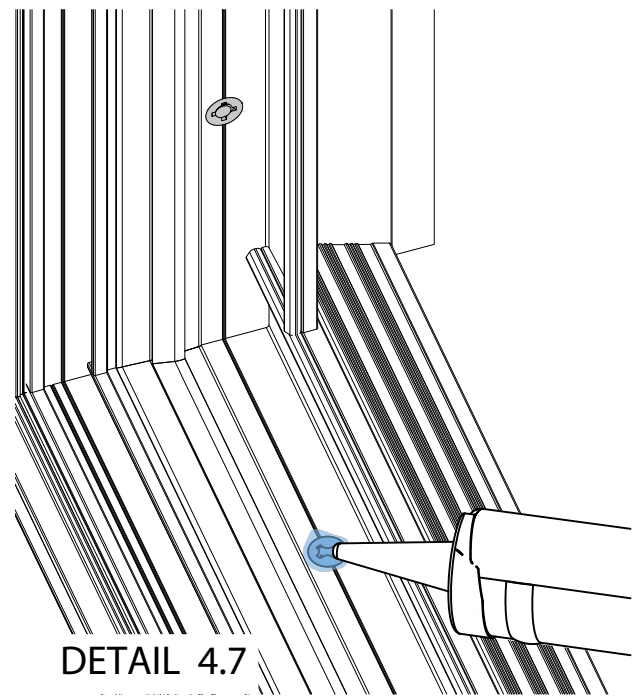
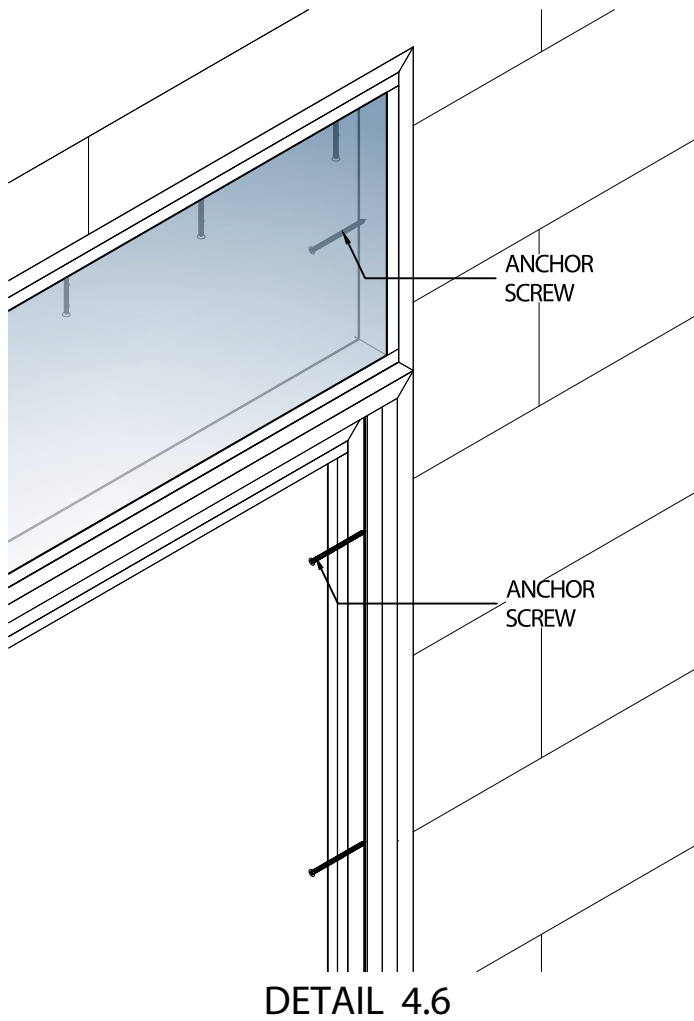
- 4.1. First, place the quantity of ES-45T-016 clip required by the shop drawings on the bottom of the transom, as shown in detail 4.1.
- 4.2. After removing the door, snap transom by pushing the snap clip onto the head of the frame.
- 4.3. Clean the opening and place the frame + transom.
- 4.4. Level it using the shims. See detail 4.4.
- 4.5. Fix the frame as shown in step 2.4 (page 7) then fix transom using anchor screws.



Install the clips by applying pressure, placing the required number of clips uniformly on the bottom of the transom.

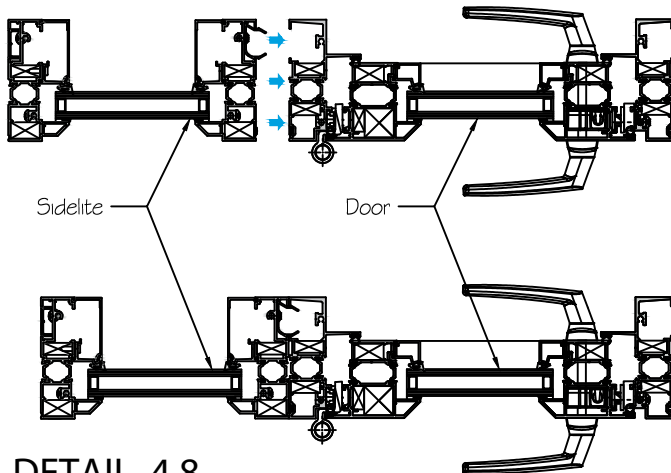


- 4.6. Apply sealant to the top of the anchors as shown in detail 4.6.
- 4.7. Place the sidelite Glass stop cover (ES-45T-015) as shown in detail 4.7.



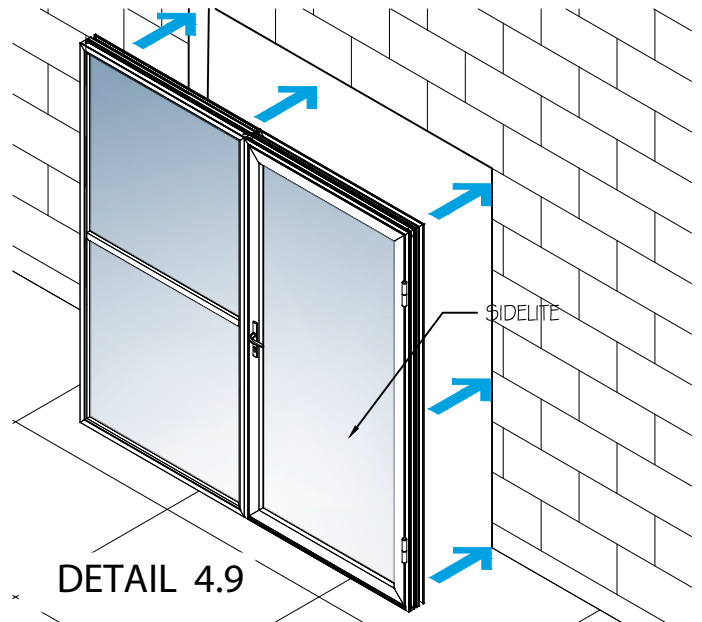
## INSTALL DOOR WITH SIDELITE:

4.8. Snap the door frame and sidelite unit as shown in the detail 4.8.



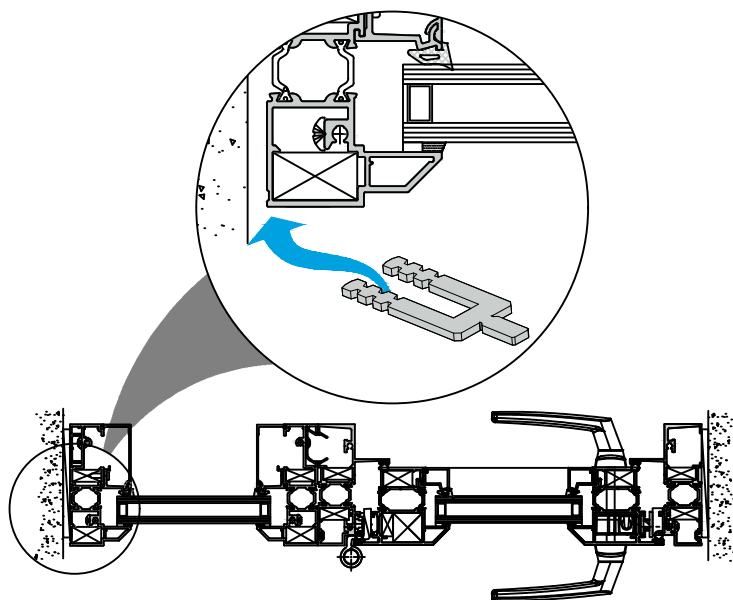
DETAIL 4.8

4.9. Clean the opening and place the frame



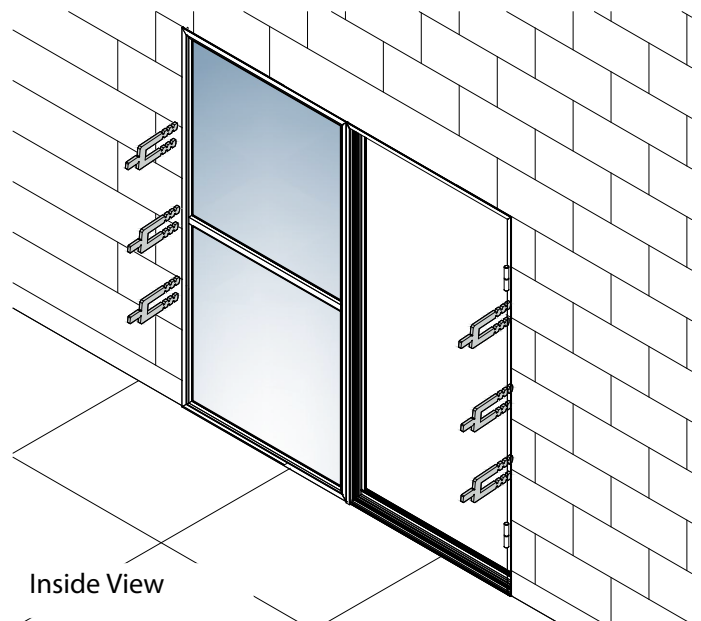
DETAIL 4.9

4.10. Remove the door as shown in step 2.1 (page 5)



DETAIL 4.10

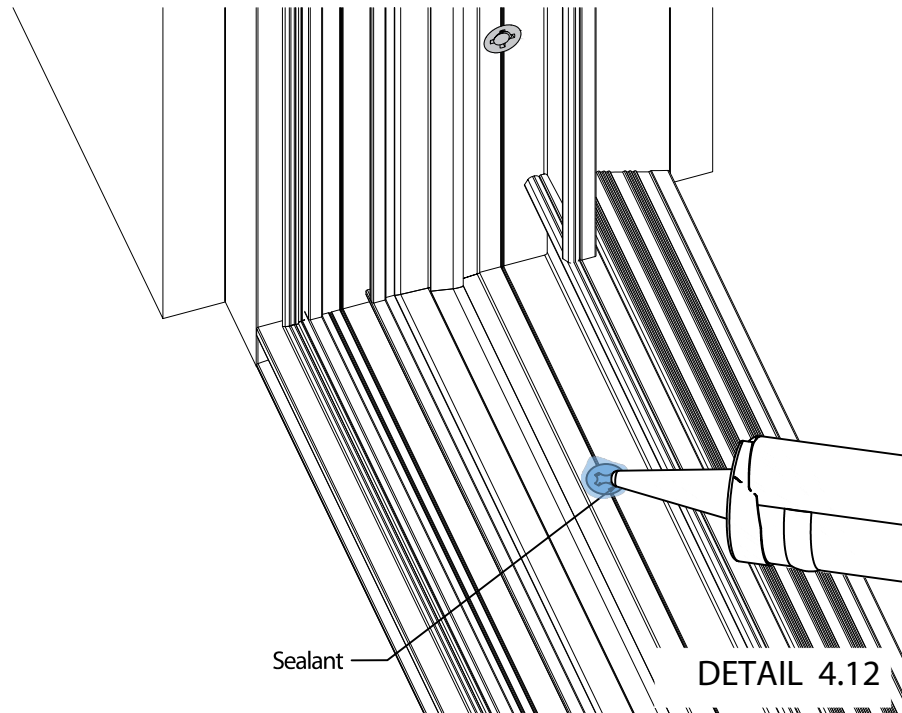
4.11. Level the frame and sidelite using shims. Use anchors screws to fix the frame in place, using the fabrication holes as shown in step 2.4.



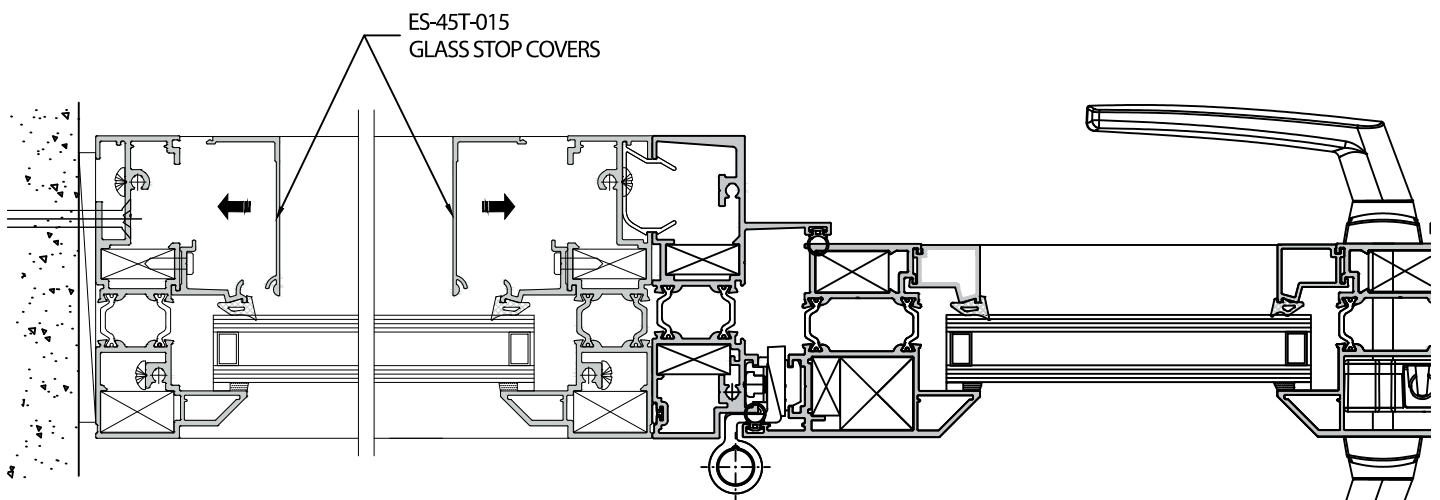
Inside View



4.12. Apply sealant to the top of the anchor screws as shown in detail 4.12



4.13. Place the Sidelite Glass Stop Cover (ES-45T-015) as is shown in the detail below.



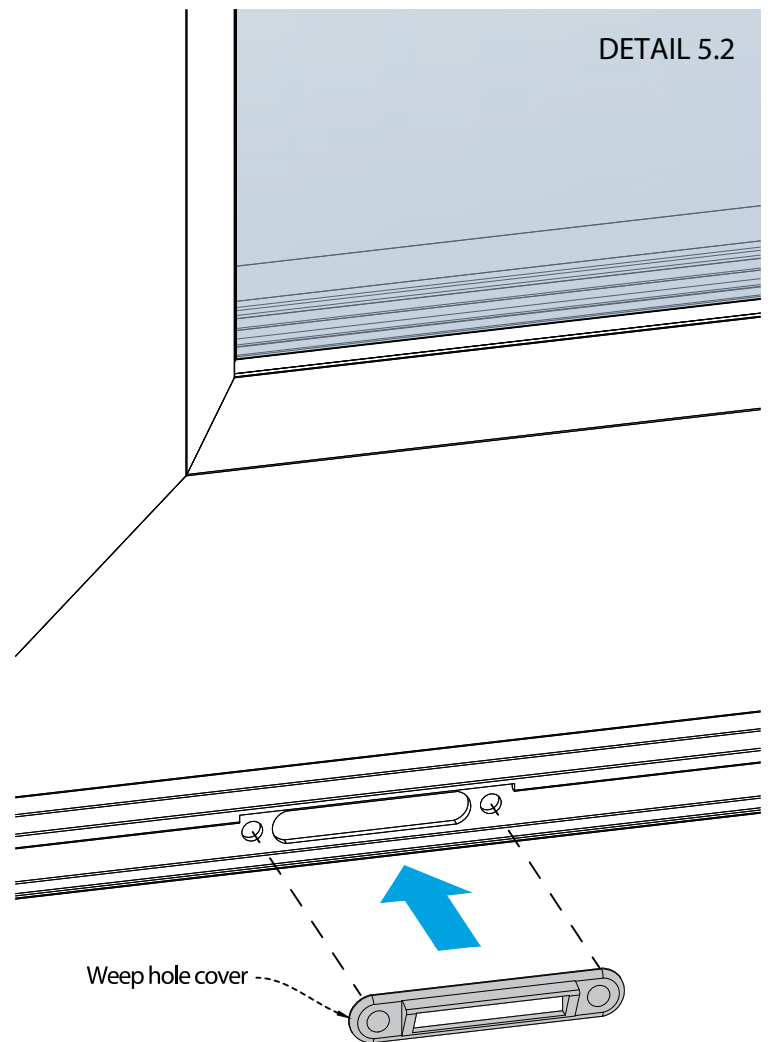
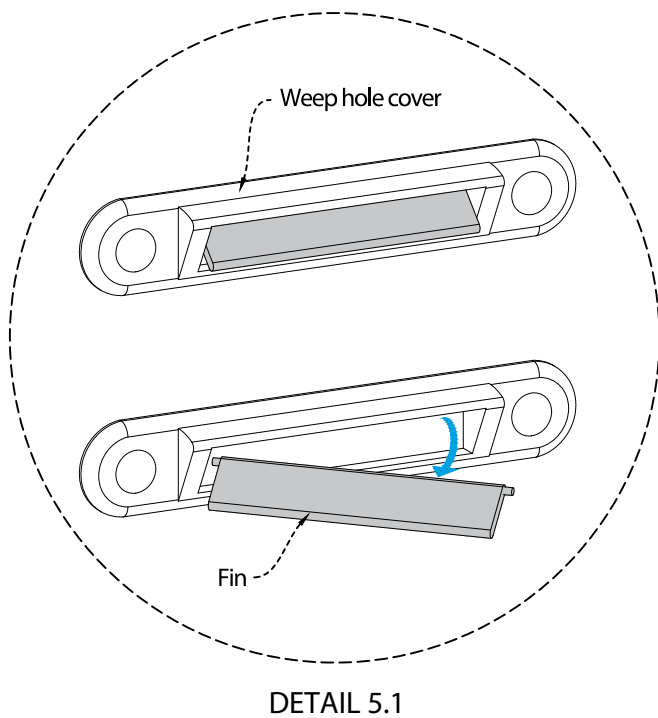
## STEP 5

### WEEP HOLE COVER INSTALLATION:

- 5.1. Before installing the weep hole covers in the sill drains, remove the mobile part (fin), as shown in detail 5.1.
- 5.2. Insert the weep hole covers in the drains, as shown in the detail 5.2.



Omit this step if accessories are already installed on the product.



## STEP 6



Omit this step if accessories are already installed on the product.

### INSTALL THE HANDLE:

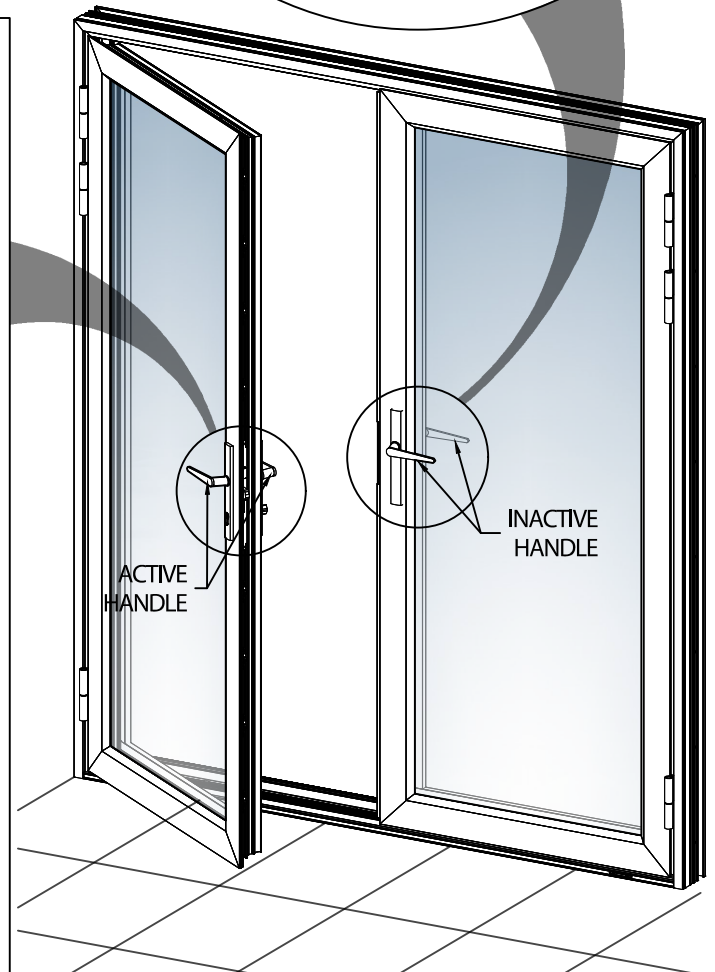
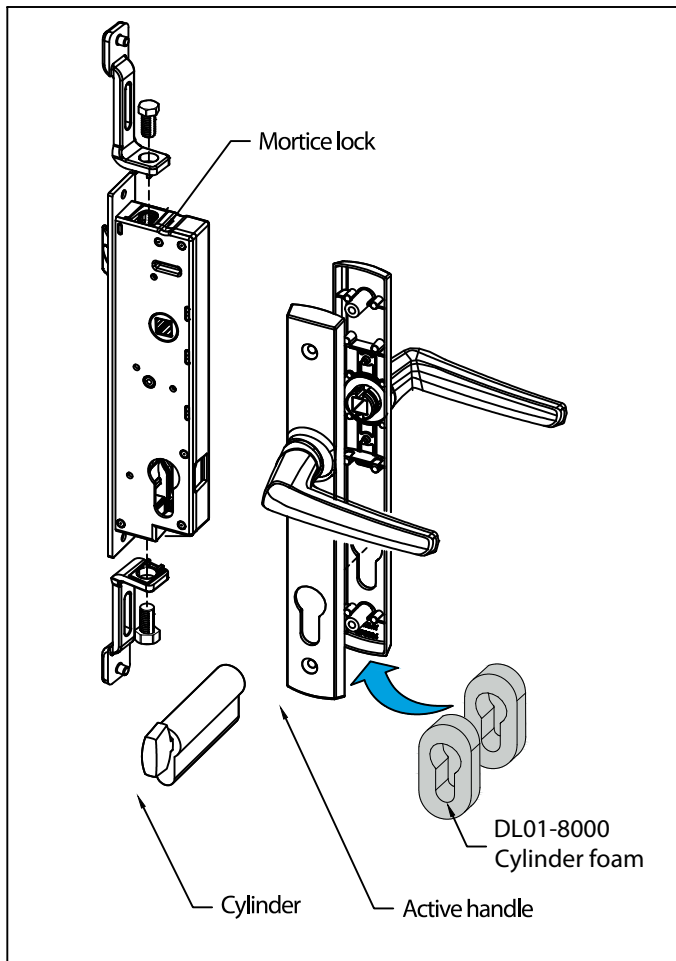
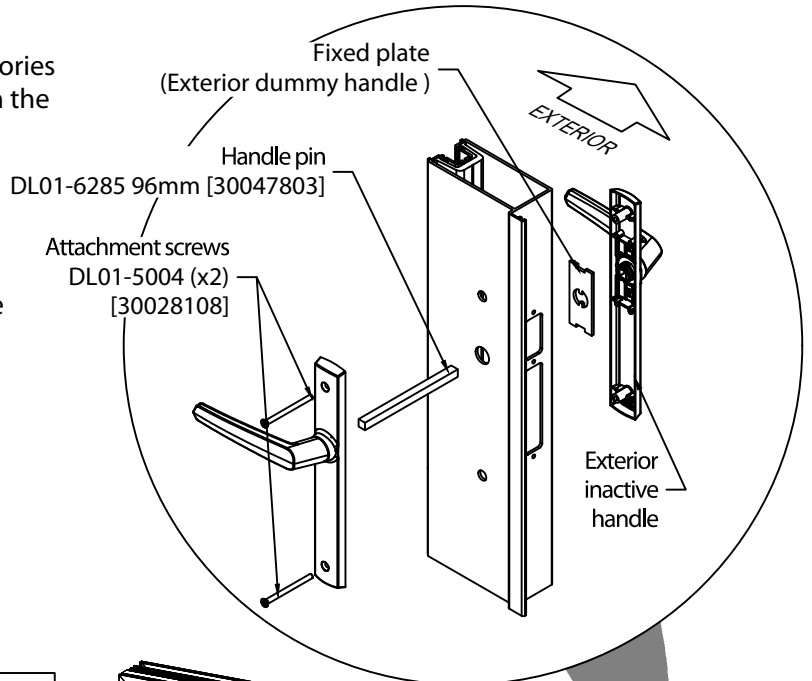
6.1. Place the active and inactive handle as shown in the details below.



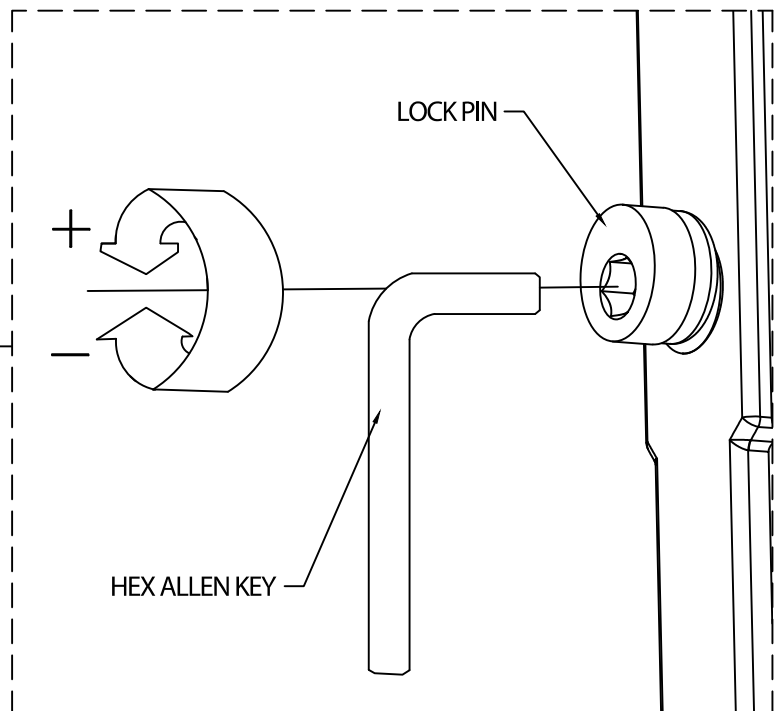
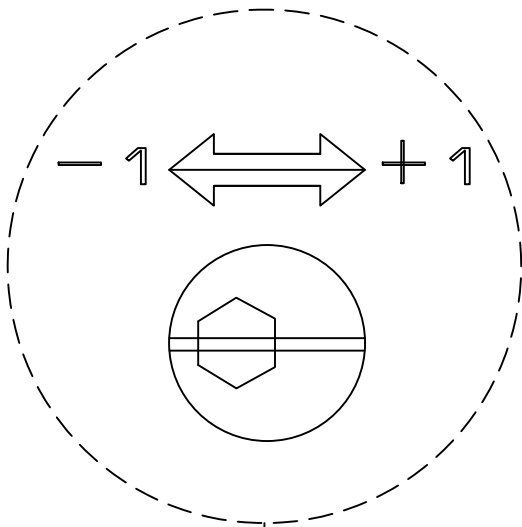
Pins, attachment screws and plate for the active handles are included in the handle kit.



Pins and attachment screws are not included in dummy handle kit and must be requested separately



6.2. After installing the handle, verify the lock points and if needed, adjust the pins to meet the required pressure to achieve the correct seal of the door.



DETAIL 5.2

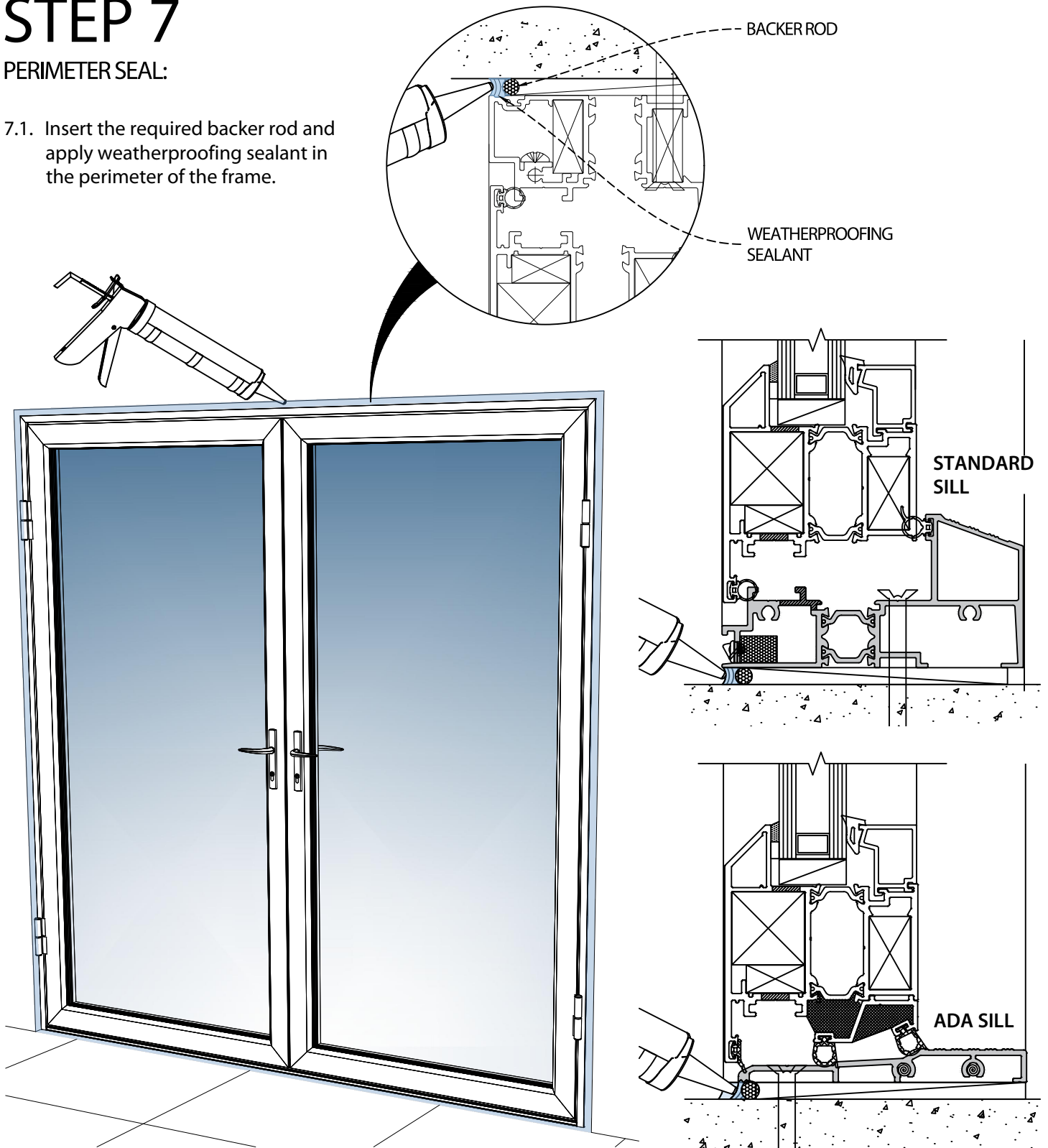


Care not to over-tight the locking pins as this may affect the gaskets integrity over time.

# STEP 7

## PERIMETER SEAL:

7.1. Insert the required backer rod and apply weatherproofing sealant in the perimeter of the frame.







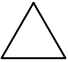
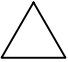

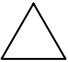
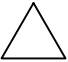
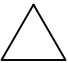


# INSTALLATION CHECKLIST

1	Verify there is no damage in the seal applied in the perimeter of the frame.	
2	Verify plumb and level of the door.	
3	Check frame for squareness by measuring diagonally across the frame at identical parts.	
4	Verify the DLO of the frame by measuring the height size (Left, center, and right) and width size (top, center, and bottom).	
5	Verify the DLO of the leaf(s) by measuring the size from the glass stop on height (Left, center, and right) and width (top, center, and of the system).	
6	The external gap between the leaf and frame (Hinge side) must be 3/8" max., This guarantees the gaskets of the frame-leaf will seal properly.	
7	Verify hinges are installed and adjusted properly (See step 2.8 of the installation manual).	
8	Verify screws are correctly installed and sealed to avoid any water leak.	
9	Verify gaskets are in good condition, length, and properly located according to the system details.	
10	For ADA sill, verify that the bulb gasket located in the bottom of the leaf is creating compression with the sill and has a silicone seal on both sides.	
11	For ADA sill, verify the seal holder threshold extrusion is properly sealed in their both sides according to the system details.	
12	Verify the euro groove keeper (frame) and lock plates (leaf) are properly aligned and creating compression. In case they are not, proceed to adjust both to get the proper compression.	
13	Verify the handle activates the locking mechanism properly.	
14	Verify that the cylinder and thumb are working properly, and be sure to use the foams on the cylinders.	
15	Perform a dollar bill test on top, center and bottom to ensure proper door compression between the gaskets located in the perimeter of frame-leaf.	

# INSTALLATION INSTRUCTIONS

REVIEW No.	DATE	DESCRIPTION	PAGE.	BY.
1	JUNE 19 2014	EXTRUSIONS AND MISCELLANEOUS LIST UPDATE	4,5	--
2	JANUARY 13 2017	STRAP ANCHOR INSTALLATION PROCESS WAS INCLUDED	10	MC
3	MARCH 28 2017	EXTRUSIONS AND MISCELLANEOUS LIST UPDATE	4,5	DT
4	FEBRUARY 8 2019	INACTIVE HANDLE INSTALLATION PROCESS WAS INCLUDED	15	MC
5	MAY 3 2019	PLATE AND PIN FOR DUMMY HANDLE WAS REMOVED	15	MC
6	JULY 18/2019	GENERAL UPDATE, NOTE ABOUT INACTIVE HANDLE PIN ADDED	14	AG
7	JULY 19/2019	INSTALLATION INSTRUCTIONS FOR ES-45T AND ES-46T MERGED ON THIS DOCUMENT		AG
8	JUNE 18/2021	CHANGE THE NUMERATION OF STEP 4: 4.7 - 4.10	11	JA
9	JANUARY 25/2022	ADDED DETAIL FOR CYLINDER FOAM LOCATION DURING ARIA HANDLE INSTALLATION.	13.	AG.
10	MARCH 3/2022	DETAILS UPDATED; HINGE ADJUSTMENT DETAILS ADDED; HANDLE INSTALLATION DETAILS UPDATED.	5-7, 9-10,15	E.S.
11	SEPTEMBER 15/2022	INACTIVE HANDLE DETAILS UPDATED.	15	E.S.
12	JUNE 20/2023	WEEP HOLE COVERS INSTALLATION ADDED.	15	E.S.

# INSTALLATION INSTRUCTIONS

REVIEW No.	DATE	DESCRIPTION	PAGE.	BY.
	SEPTEMBER 25 2023	NOTE ABOUT THE INSTALLATION OF MISCELLANEOUS ADDED.	3,15,16	M.D.
	APRIL 18 2024	ADA SILL INSTALLATION ADDED.	11, 17	E.S.
	JUNE 11 2024	GASKET ORIENTATION ON ADA CHAIR IS MODIFIED CHECK LIST IS ADDED FOR INSTALLATION PROCESS	11, 20	M.D.
	OCTOBER 18 2024	THE PROCEDURE TO INSTALL THE MULL CLIPS O16	12	D.G
				
				
				
				
				
				
				
				



3550 NW 49th Street, Miami, FL 33142  
service@eswllc.com,  
PBX: (+1) 754 9002300

BY Andres González Palmett

