



DEPARTMENT OF REGULATORY AND ECONOMIC RESOURCES (RER)
BOARD AND CODE ADMINISTRATION DIVISION

MIAMI-DADE COUNTY
PRODUCT CONTROL SECTION

11805 SW 26 Street, Room 208
T (786) 315-2590 F (786) 315-2599

NOTICE OF ACCEPTANCE (NOA)

www.miamidade.gov/economy

ES Windows, LLC
3550 NW 49th Street
Miami, FL 33142

SCOPE:

This NOA is being issued under the applicable rules and regulations governing the use of construction materials. The documentation submitted has been reviewed and accepted by Miami-Dade County RER - Product Control Section to be used in Miami Dade County and other areas where allowed by the Authority Having Jurisdiction (AHJ).

This NOA shall not be valid after the expiration date stated below. The Miami-Dade County Product Control Section (In Miami Dade County) and/or the AHJ (in areas other than Miami Dade County) reserve the right to have this product or material tested for quality assurance purposes. If this product or material fails to perform in the accepted manner, the manufacturer will incur the expense of such testing and the AHJ may immediately revoke, modify, or suspend the use of such product or material within their jurisdiction. RER reserves the right to revoke this acceptance, if it is determined by Miami-Dade County Product Control Section that this product or material fails to meet the requirements of the applicable building code.

This product is approved as described herein and has been designed to comply with the Florida Building Code, including the High Velocity Hurricane Zone.

DESCRIPTION: Series “ES-EL300-9’ Aluminum Outswing Door w/wo Sidelites - L.M.I.

APPROVAL DOCUMENT: Drawing No. **W21-06D Rev B**, titled “ES-EL300-9’ Aluminum Outswing Door (L.M.I.)”, sheets 1 through 12 of 12, dated 03/10/22 and last revised on 07/07/2023, prepared by Al-Farooq Corporation, signed and sealed by Jalal Farooq, P.E., bearing the Miami-Dade County Product Control Revision stamp with the Notice of Acceptance number and expiration date by the Miami-Dade County Product Control Section.

MISSILE IMPACT RATING: Large and Small Missile Impact Resistant

LABELING: Each unit shall bear a permanent label with the manufacturer's name or logo, **Baranquilla, Columbia, S.A.**, series, and the following statement: "Miami-Dade County Product Control Approved", unless otherwise noted herein.

RENEWAL of this NOA shall be considered after a renewal application has been filed and there has been no change in the applicable building code negatively affecting the performance of this product.

TERMINATION of this NOA will occur after the expiration date or if there has been a revision or change in the materials, use, and/or manufacture of the product or process. Misuse of this NOA as an endorsement of any product, for sales, advertising or any other purposes shall automatically terminate this NOA. Failure to comply with any section of this NOA shall be cause for termination and removal of NOA.

ADVERTISEMENT: The NOA number preceded by the words Miami-Dade County, Florida, and followed by the expiration date may be displayed in advertising literature. If any portion of the NOA is displayed, then it shall be done in its entirety.

INSPECTION: A copy of this entire NOA shall be provided to the user by the manufacturer or its distributors and shall be available for inspection at the job site at the request of the Building Official.

This NOA **revises # 22-0328.03 (spin-off)** consists of this page 1 and evidence pages E-1 & E-2, as well as approval document mentioned above.

The submitted documentation was reviewed by **Ishaq I. Chanda, P.E.**



Ishaq I. Chanda

NOA No. 23-0714.10
Expiration Date: January 04, 2028
Approval Date: August 17, 2023

NOTICE OF ACCEPTANCE: EVIDENCE SUBMITTED

1. EVIDENCE SUBMITTED

A. DRAWINGS

1. Manufacturer's die drawings and sections.
2. Drawing No. **W21-06D Rev A**, titled "ES-EL300-9' Aluminum Outswing Door (L.M.I.)", sheets 1 through 12 of 12, dated 03/10/22 and last revised on 03/17/2022, prepared by Al-Farooq Corporation, signed and sealed by Jalal Farooq, P.E.

B. TESTS

1. Test reports on:
 - 1) Air Infiltration Test, per FBC, TAS 202-94
 - 2) Uniform Static Air Pressure Test, Loading per FBC, TAS 202-94
 - 3) Water Resistance Test, per FBC, TAS 202-94
 - 4) Forced Entry Test, per FBC, and TAS 202-94
 - 6) Large Missile Impact Test per FBC, TAS 201-94
 - 7) Cyclic Wind Pressure Loading per FBC, TAS 203-94

along with marked-up drawings and installation diagram of an aluminum outswing door, prepared by Blackwater Testing, Inc., Test Report No. **BT-ESW-18-006**, dated 10/11/18, signed and sealed by Constantin Bortes, P.E. with Letter of Clarification dated 08/03/17 and 02/16/22 issued by Black Water Testing Lab.

C. CALCULATIONS

1. Anchor verification calculations and structural analysis, complying with **FBC 2020 (7th Edition)**, dated 03/17/22, prepared by Al-Farooq Corporation, signed and sealed by Jalal Farooq, P.E.
2. Glazing complies with **ASTM E1300-09 &-16**.

D. QUALITY ASSURANCE

1. Miami-Dade Department of Regulatory and Economic Resources (RER)

E. MATERIAL CERTIFICATIONS

1. Notice of Acceptance No. **20-0915.21** issued to **Kuraray America, Inc.** for their "**Trosifol® Ultraclear, Clear and Color PVB Glass Interlayers**", expiring on 02/08/23.

F. STATEMENTS

1. Statement letter of conformance to and **FBC-7th Edition (2020)** and of no financial interest dated 03/21/22, issued by Al-Farooq Corporation, signed and sealed by Jalal Farooq, P.E.

G. OTHERS

1. This NOA revises # **19-0918.03 (spin-off)**, expiring 01/04/28.
2. Distributor Agreement, signed by Carlos Garcia and by Evelyn Daes (Documents in various ES files).

Ishaq I. Chanda

Ishaq I. Chanda, P.E.
Product Control Unit Supervisor
NOA No. 23-0714.10
Expiration Date: January 04, 2028
Approval Date: August 10, 2023

NOTICE OF ACCEPTANCE: EVIDENCE SUBMITTED

1. NEW EVIDENCE SUBMITTED

A. DRAWINGS

1. Drawing No. **W21-06D Rev B**, titled “ES-EL300-9’ Aluminum Outswing Door (L.M.I.)”, sheets 1 through 12 of 12, dated 03/10/22 and last revised on 07/07/2023, prepared by Al-Farooq Corporation, signed and sealed by Jalal Farooq, P.E.

B. TESTS

1. None.

C. CALCULATIONS

1. None.

D. QUALITY ASSURANCE

1. Miami-Dade Department of Regulatory and Economic Resources (RER)

E. MATERIAL CERTIFICATIONS

1. Notice of Acceptance No. **20-0915.21** issued to **Kuraray America, Inc.** for their “**Trosifol® Ultraclear, Clear and Color PVB Glass Interlayers**”, expiring on 02/08/23.

F. STATEMENTS

1. Statement letter of conformance, complying with **FBC 8th Edition (2023)**, dated 07/14/23, prepared by Al-Farooq Corporation, signed and sealed by Jalal Farooq, P.E.
2. Statement letter of conformance to and **FBC-7th Edition (2020)** and of no financial interest dated 03/21/22, issued by Al-Farooq Corporation, signed and sealed by Jalal Farooq, P.E.

G. OTHERS

1. This NOA revises **22-0328.03 (spin-off)**, expiring 01/04/28.
2. Distributor Agreement, signed by Carlos Garcia and by Evelyn Daes (Documents in various ES files).

Ishaq I. Chanda

Ishaq I. Chanda, P.E.
Product Control Unit Supervisor
NOA No. 23-0714.10
Expiration Date: January 04, 2028
Approval Date: August 10, 2023

THESE DOORS ARE RATED FOR LARGE & SMALL MISSILE IMPACT. SHUTTERS ARE NOT REQUIRED.

ES-EL300-9

ALUMINUM OUTSWING ENTRANCE DOOR

APPROVAL APPLIES TO SINGLE (X) AND DOUBLE (XX) LEAF DOORS WITH OR WITHOUT SIDELITES. SIDE LITES CAN BE ON ONE OR BOTH SIDES OF DOOR.

DOORS APPROVED FOR INSTALLATIONS WHERE WATER INFILTRATION RESISTANCE IS REQUIRED.

THIS PRODUCT HAS BEEN DESIGNED AND TESTED TO COMPLY WITH THE REQUIREMENTS OF THE 2020 (7TH EDITION)/2023 (8TH EDITION) FLORIDA BUILDING CODE INCLUDING HIGH VELOCITY HURRICANE ZONE (HVHZ).

1BY OR 2BY WOOD BUCKS & BUCK FASTENERS BY OTHERS, MUST BE DESIGNED AND INSTALLED ADEQUATELY TO TRANSFER APPLIED PRODUCT LOADS TO THE BUILDING STRUCTURE.

ANCHORS SHALL BE CORROSION RESISTANT, SPACED AS SHOWN ON DETAILS AND INSTALLED PER MANUF'S INSTRUCTIONS. SPECIFIED EMBEDMENT TO BASE MATERIAL SHALL BE BEYOND WALL DRESSING OR STUCCO.

A LOAD DURATION INCREASE IS USED IN DESIGN OF ANCHORS INTO WOOD ONLY.

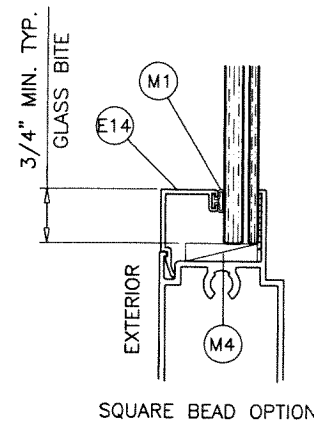
ALL SHIMS TO BE HIGH IMPACT, NON-METALLIC AND NON-COMPRESSIBLE.

MATERIALS INCLUDING BUT NOT LIMITED TO STEEL/METAL SCREWS, THAT COME INTO CONTACT WITH OTHER DISSIMILAR MATERIALS SHALL MEET THE REQUIREMENTS OF THE 2020/2023 FLORIDA BLDG. CODE & ADOPTED STANDARDS.

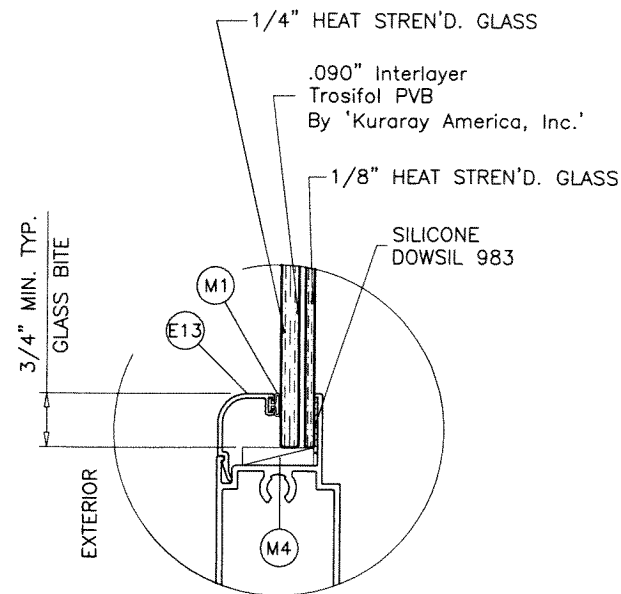
THIS PRODUCT APPROVAL IS GENERIC AND DOES NOT PROVIDE INFORMATION FOR A SITE SPECIFIC PROJECT, i.e. LIFE SAFETY OF THIS PRODUCT, ADEQUACY OF STRUCTURE RECEIVING THIS PRODUCT AND SEALING AROUND OPENING FOR WATER INFILTRATION RESISTANCE ETC.

CONDITIONS NOT SHOWN IN THIS DRAWING ARE TO BE ANALYZED SEPARATELY, AND TO BE REVIEWED BY BUILDING OFFICIAL.

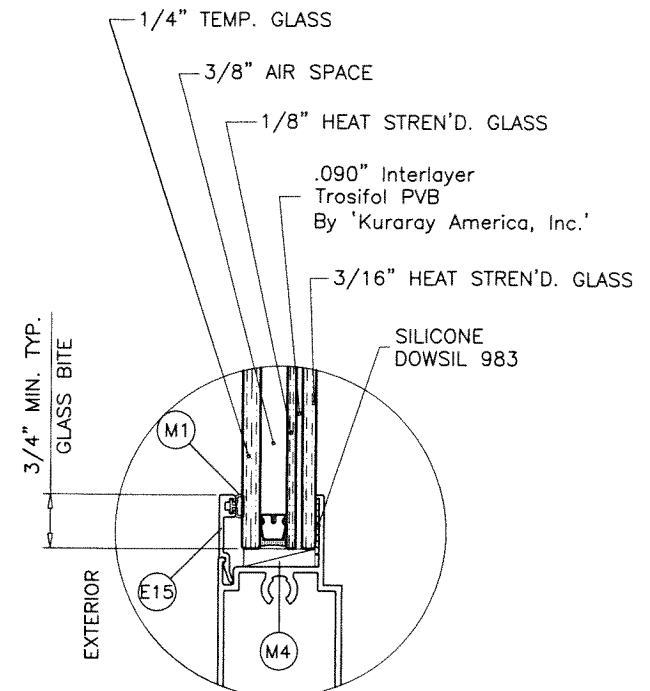
DESIGN LOADS SHOWN ARE BASED ON 'ALLOWABLE STRESS DESIGN (ASD)'.



SQUARE BEAD OPTION



GLASS TYPE 'A'
7/16" OVERALL LAM. GLASS



GLASS TYPE 'Ai'
1" OVERALL INSUL. LAM. GLASS

GLAZING OPTIONS

PRODUCT REVISED
as complying with the Florida Building Code
NOA-No. 23-0714.10

Expiration Date 01/04/2028

By *Ishag I. Chande*
Miami-Dade Product Control

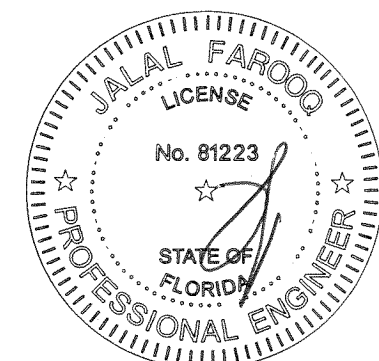
3/8" AIR SPACE CONSISTING OF:
SPACER:
'HELIMA' LOW PROFILE ALUMINUM SPACER BY 'LINGERMANN GMBH' AROUND THE PERIMETER OF THE GLASS.
PERIMETER SEALANT:
SILICONE DOWSIL 791 GE 2000

GLASS TYPES 'A' & 'Ai' COMPLY WITH REQUIREMENTS OF ANSI Z97.1. SAFEGUARD REQUIREMENTS TO BE VERIFIED.

INSTRUCTIONS:

USE CHARTS AS FOLLOWS.

- STEP 1** DETERMINE DESIGN WIND LOAD REQUIREMENT BASED ON WIND VELOCITY, BLDG. HEIGHT, WIND ZONE USING APPLICABLE ASCE 7 STANDARD.
- STEP 2** FOR SINGLE (X) AND DOUBLE (XX) DOOR CAPACITIES SEE SHEET 2.
- STEP 3** FOR SIDELITE PANEL (O) CAPACITY SEE SHEET 3.
- STEP 4** FOR SIDELITE COMBINATION WITH DOOR SEE MULLION CAPACITY CHART ON SHEET 4.
- STEP 5** THE LOWEST VALUE RESULTING FROM STEPS 2, 3 AND 4 SHALL APPLY TO ENTIRE SYSTEM.



JUL 07 2023

afc
AL-FAROOQ CORPORATION
ENGINEERS & PRODUCT DEVELOPMENT
9360 SUNSET DRIVE, SUITE 220
MIAMI, FLORIDA 33173
TEL. (305) 264-8100 FAX. (305) 262-6978
(C.A.N. 3538)

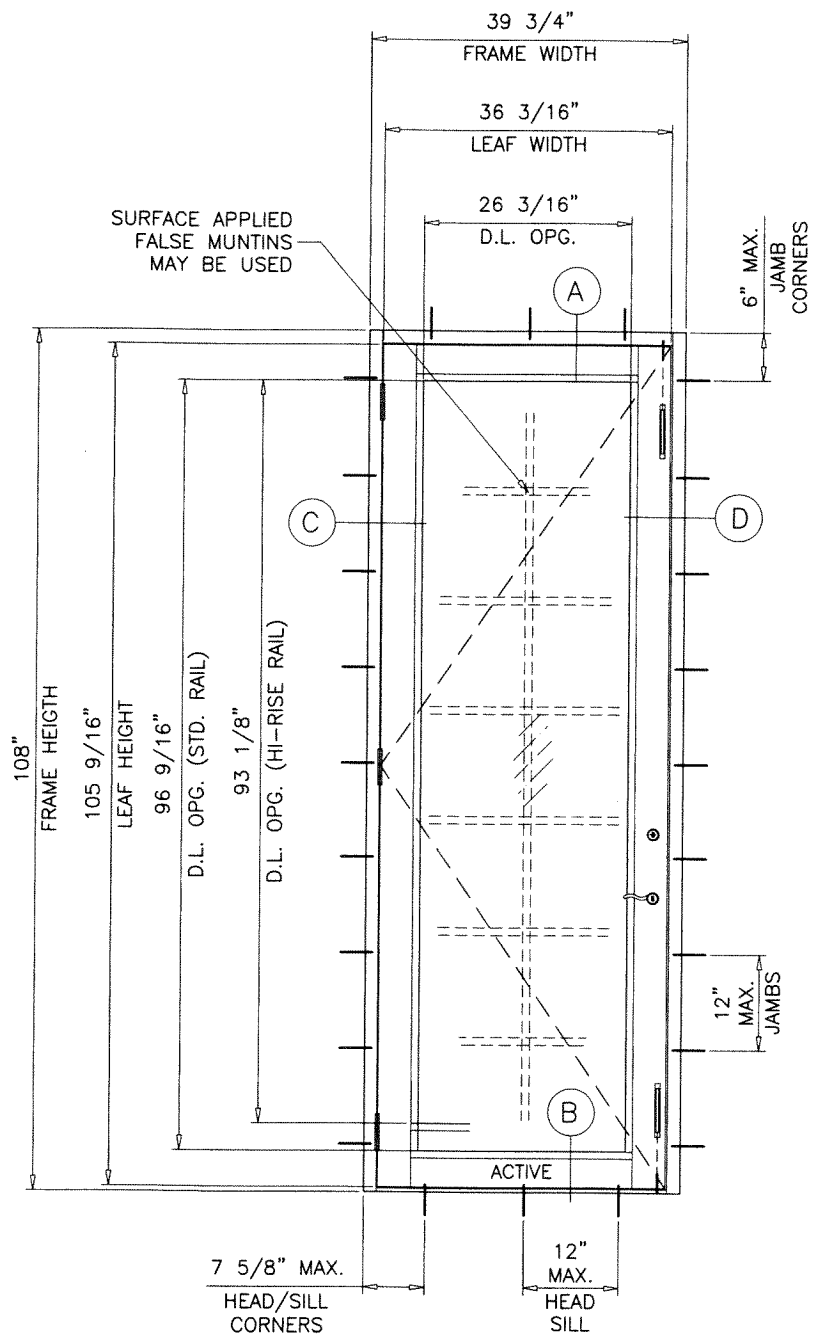
ES-EL300-9 ALUMINUM OUTSWING DOOR (L.M.I.)
E.S. WINDOWS, LLC
3550 N.W. 49 STREET
MIAMI, FL. 33142
TEL. (305) 638-5151 FAX. (305) 638-5158

revisions:	no.	date	description	by
	A	03.10.22	NO CHANGE THIS SHEET	
	B	06.29.23	UPDATED TO 2023 FBC	

date: 09-17-21
scale: 3/8" = 1"
dr. by: TARIQ
chk. by:

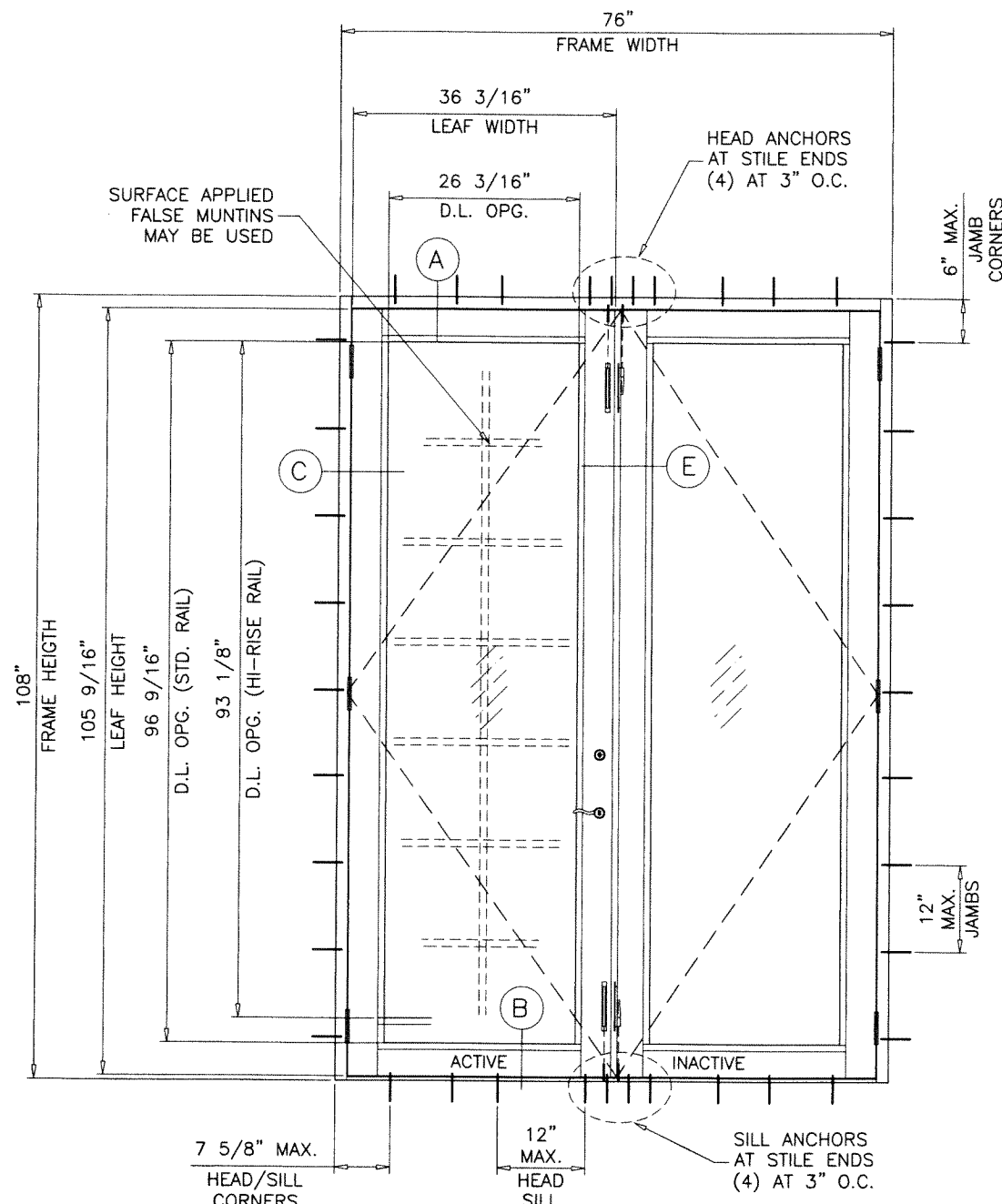
drawing no. 21-06D
sheet 1 of 12

COMP-ANL\21-06D-ES



TYPICAL ELEVATION
(X)

SINGLE DOORS LOAD CAPACITY - PSF					
FRAME		LEAF		EXT.(+)	INT.(-)
WIDTH	HEIGHT	WIDTH	HEIGHT		
39-3/4"	108"	36-3/16"	105-9/16"	80.0	80.0

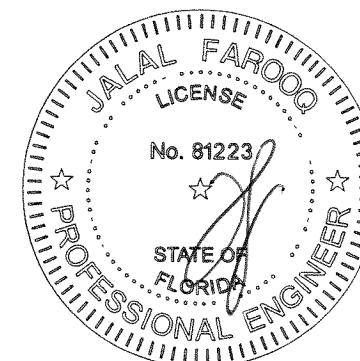


TYPICAL ELEVATION
(XX)

DOUBLE DOORS LOAD CAPACITY - PSF					
FRAME		LEAF		EXT.(+)	INT.(-)
WIDTH	HEIGHT	WIDTH	HEIGHT		
76"	108"	36-3/16"	105-9/16"	80.0	80.0

GLASS D.L.O. FORMULAE:
 D.L.O. WIDTH = FRAME WIDTH - 13.563" (X DOORS)
 = (FRAME WIDTH - 23.625")/2 (XX DOORS)
 D.L.O. HEIGHT = FRAME HEIGHT - 11.438" (STD. BOT. RAIL)
 = FRAME HEIGHT - 14.875" (HI-RISE BOT. RAIL)

PRODUCT REVISED
 as complying with the Florida
 Building Code
 NOA-No. 23-0714.10
 Expiration Date 01/04/2028
 By Ishag I. Chank
 Miami-Dade Product Control



NOTE:
 GLASS CAPACITIES ON THIS SHEET ARE
 BASED ON ASTM E1300-09 (3 SEC. GUSTS)
 AND FLORIDA BUILDING COMMISSION
 DECLARATORY STATEMENT DCA05-DEC-219

JUL 07 2023

AL-FAROOQ CORPORATION
 ENGINEERS & PRODUCT DEVELOPMENT
 9360 SUNSET DRIVE, SUITE 220
 MIAMI, FLORIDA 33173
 TEL. (305) 264-8100 FAX. (305) 262-6978
 (C.A.N. 3538)

ES-EL300-9 ALUMINUM OUTSWING DOOR (L.M.I.)

E.S. WINDOWS, LLC
 3550 N.W. 49 STREET
 MIAMI, FL. 33142
 TEL. (305) 638-5151 FAX. (305) 638-5158

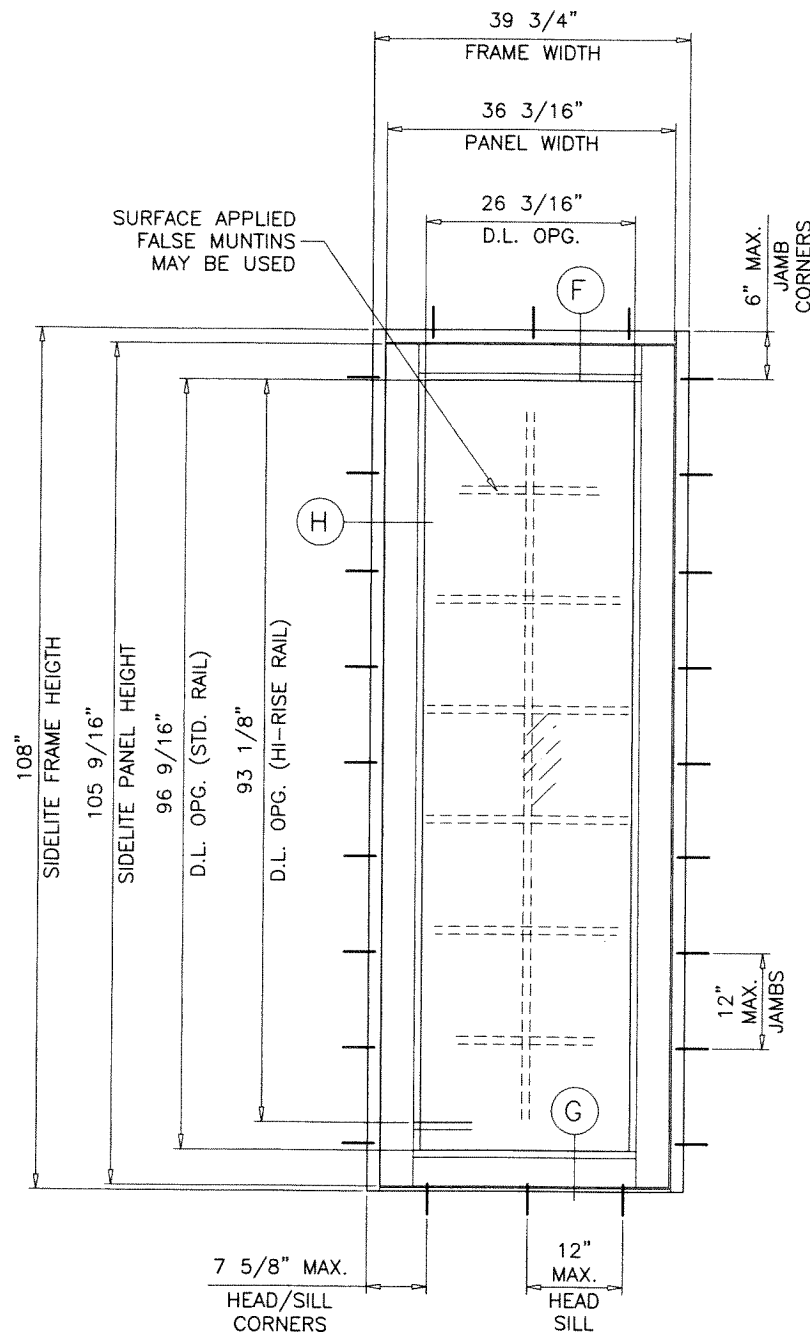
revisions:	no	date	description
	A	03.10.22	NO CHANGE THIS SHEET
	B	06.29.23	NO CHANGE THIS SHEET

date: 09-17-21
 scale: 1/2" = 1'-0"
 dr. by: TARIQ
 chk. by:

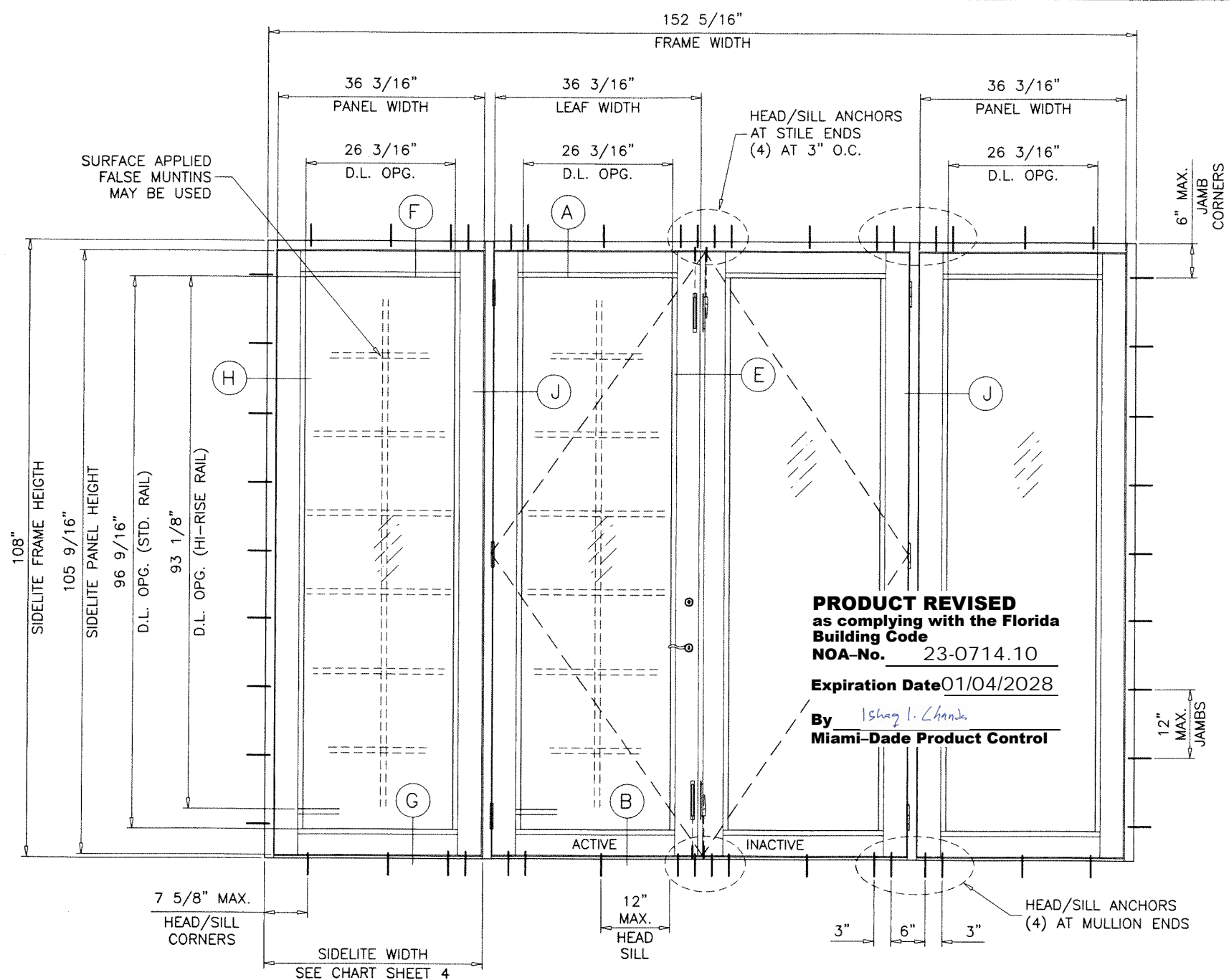
drawing no.
21-06D

sheet 2 of 12

COMP-ANL 21-06D-ES



TYPICAL ELEVATION
(O)



TYPICAL ELEVATION
(O-XX-O)

PRODUCT REVISED
as complying with the Florida
Building Code
NOA-No. 23-0714.10

Expiration Date 01/04/2028

By Ishag I. Chande
Miami-Dade Product Control

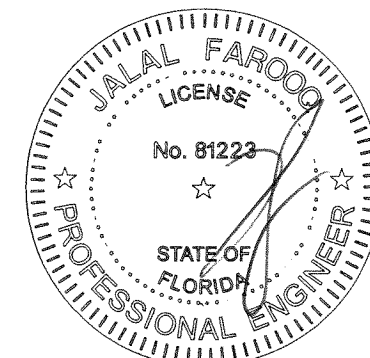
NOTE:
THE FRAME AREA OF ALTERNATE SIZE MUST NOT
EXCEED TESTED FRAME AREA = 98.7 SQ. FT.

SIDELITE LOAD CAPACITY - PSF OR STAND ALONE STATIONARY PANEL (O)					
FRAME		PANEL		EXT.(+)	INT.(-)
WIDTH	HEIGHT	WIDTH	HEIGHT		
39-3/4"	108"	36-3/16"	105-9/16"	80.0	80.0

SIDELITE WIDTH = FRAME WIDTH - 1-5/8"
(SEE CHART ON SHEET 4)

D.L.O. HEIGHT (SIDELITE) = FRAME HEIGHT - 11.438" (STD. BOT. RAIL)
= FRAME HEIGHT - 14.875" (HI-RISE BOT. RAIL)
D.L.O. WIDTH (SIDE LITE) = FRAME WIDTH - 13.563"

JUL 07 2023



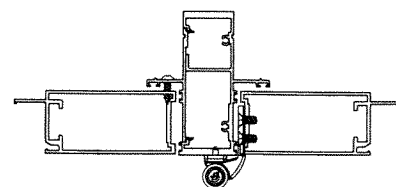
af c
AL-FAROOQ CORPORATION
ENGINEERS & PRODUCT DEVELOPMENT
9360 SUNSET DRIVE, SUITE 220
MIAMI, FLORIDA 33173 (C.A.N. 3538)
TEL. (305) 264-8100 FAX. (305) 262-6978
COMP-ANL 21-06D-ES

ES-EL300-9 ALUMINUM OUTSWING DOOR (L.M.I.)
E.S. WINDOWS, LLC
3550 N.W. 49 STREET
MIAMI, FL. 33142
TEL. (305) 638-5151 FAX. (305) 638-5158

revisions:	no	date	by	description
	A	03.10.22		REV. PER PER COMMENTS
	B	06.29.23		NO CHANGE THIS SHEET

date:	09-17-21	scale:	1/2"=1'-0"	dr. by:	TARIQ	chk. by:	
drawing no.	21-06D						
sheet	3 of 12						

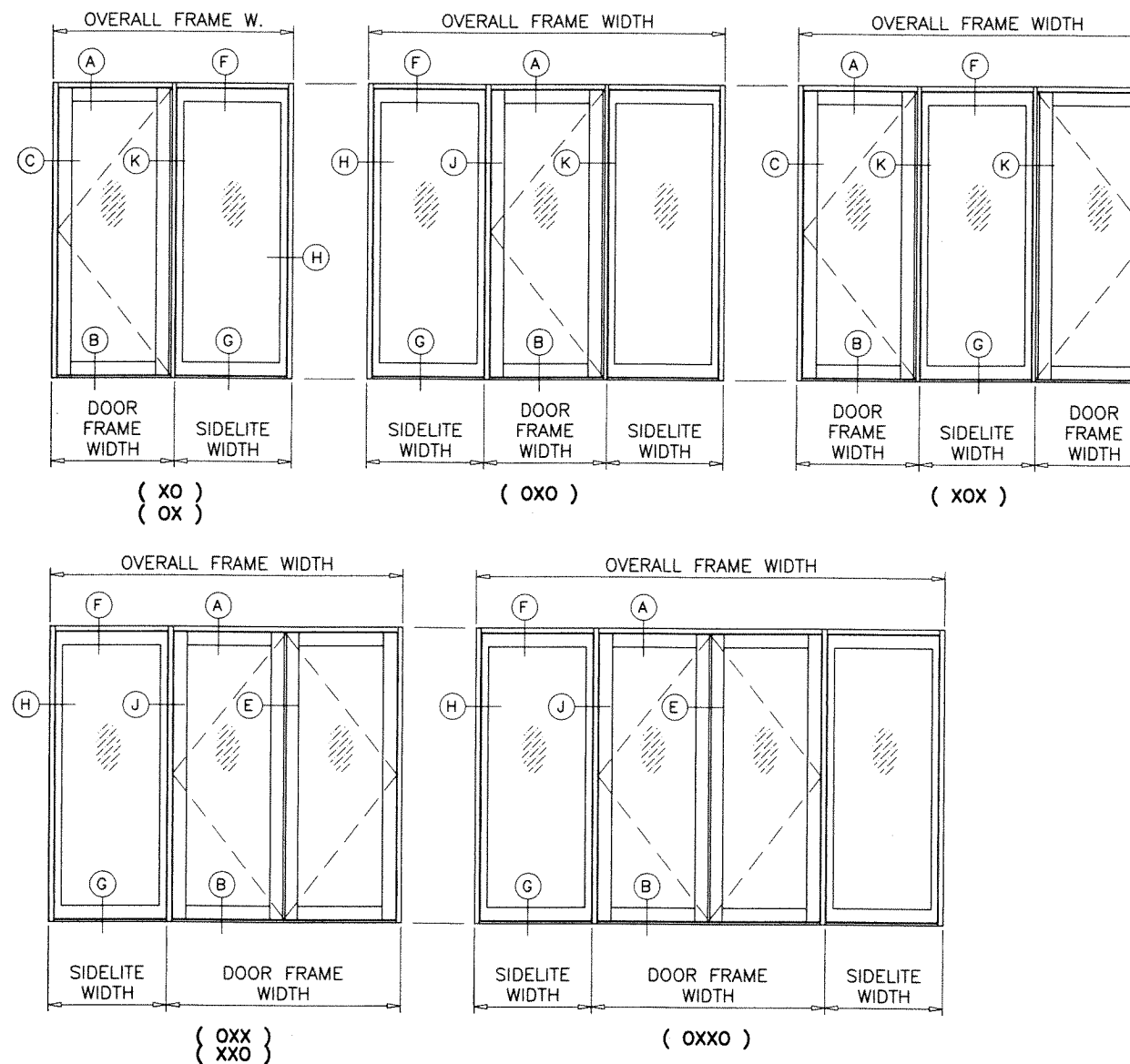
DESIGN LOAD CAPACITY - PSF DOOR TO SIDELITE MULLION		
SIDELITE WIDTH INCHES	FRAME HEIGHT INCHES	EXT. (+) INT. (-)
18	84	80.0
24		80.0
30		80.0
38		80.0
42		80.0
18	90	80.0
24		80.0
30		80.0
38		80.0
42		80.0
18	96	80.0
24		80.0
30		80.0
38		76.8
42		73.0
18	108	73.2
24		66.2
30		60.3
38		54.0



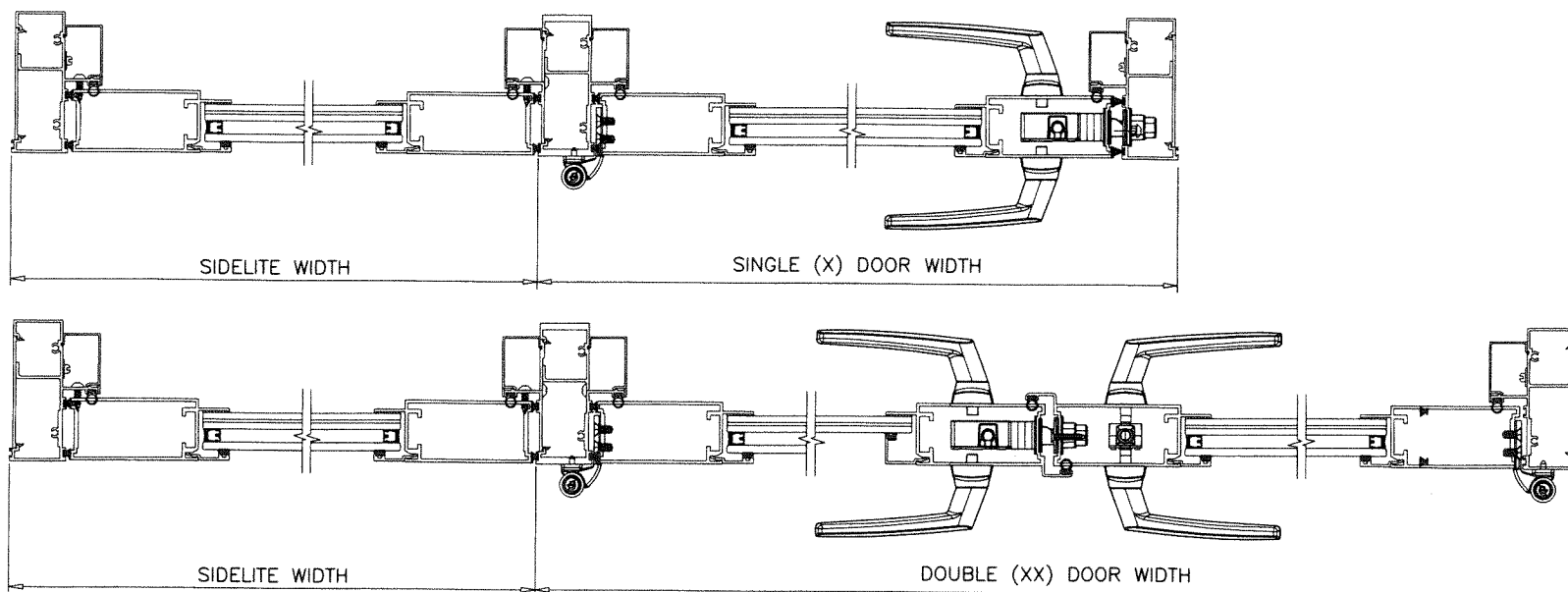
DOOR TO SIDELITE MULLION

PRODUCT REVISED
as complying with the Florida
Building Code
NOA-No. 23-0714.10
Expiration Date 01/04/2028
By *Ishag I. Chande*
Miami-Dade Product Control

NOTE:
FOR DOORS CAPACITY SEE SHEET 2
FOR SIDELITE CAPACITIES SEE SHEET 3.
FOR SIDELITE MULLION CAPACITY SEE CHART ABOVE
LOWER VALUES FROM DOORS, SIDELITE OR DOOR/SIDELITE
MULLION CHART WILL APPLY TO ENTIRE SYSTEM.



APPROVED CONFIGURATIONS



AL-FAROOQ CORPORATION
ENGINEERS & PRODUCT DEVELOPMENT
9360 SUNSET DRIVE, SUITE 220
MIAMI, FLORIDA 33173
TEL. (305) 264-8100 FAX. (305) 262-6978

ES-EL300-9 ALUMINUM OUTSWING DOOR (L.M.I.)

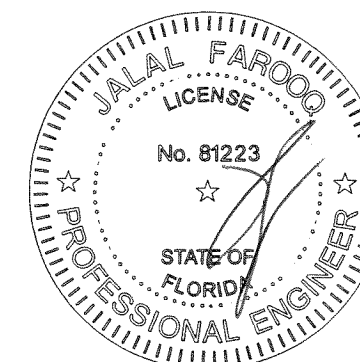
E.S. WINDOWS, LLC
3550 N.W. 49 STREET
MIAMI, FL. 33142
TEL. (305) 638-5151 FAX. (305) 638-5158

no	date	by	description
A	03.10.22	REV. PER	REV. PER COMMENTS
B	06.29.23	NO CHANGE	NO CHANGE THIS SHEET

revisions:
date: 09-17-21
scale: 1/2"=1'-0"
dr. by: TARIQ
chk. by:

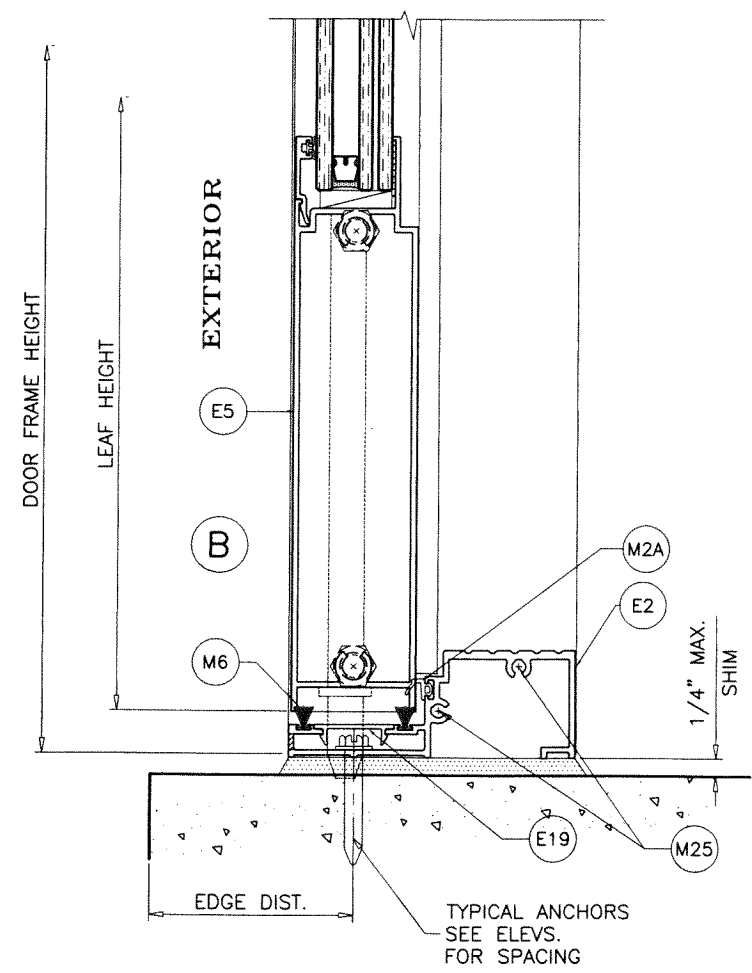
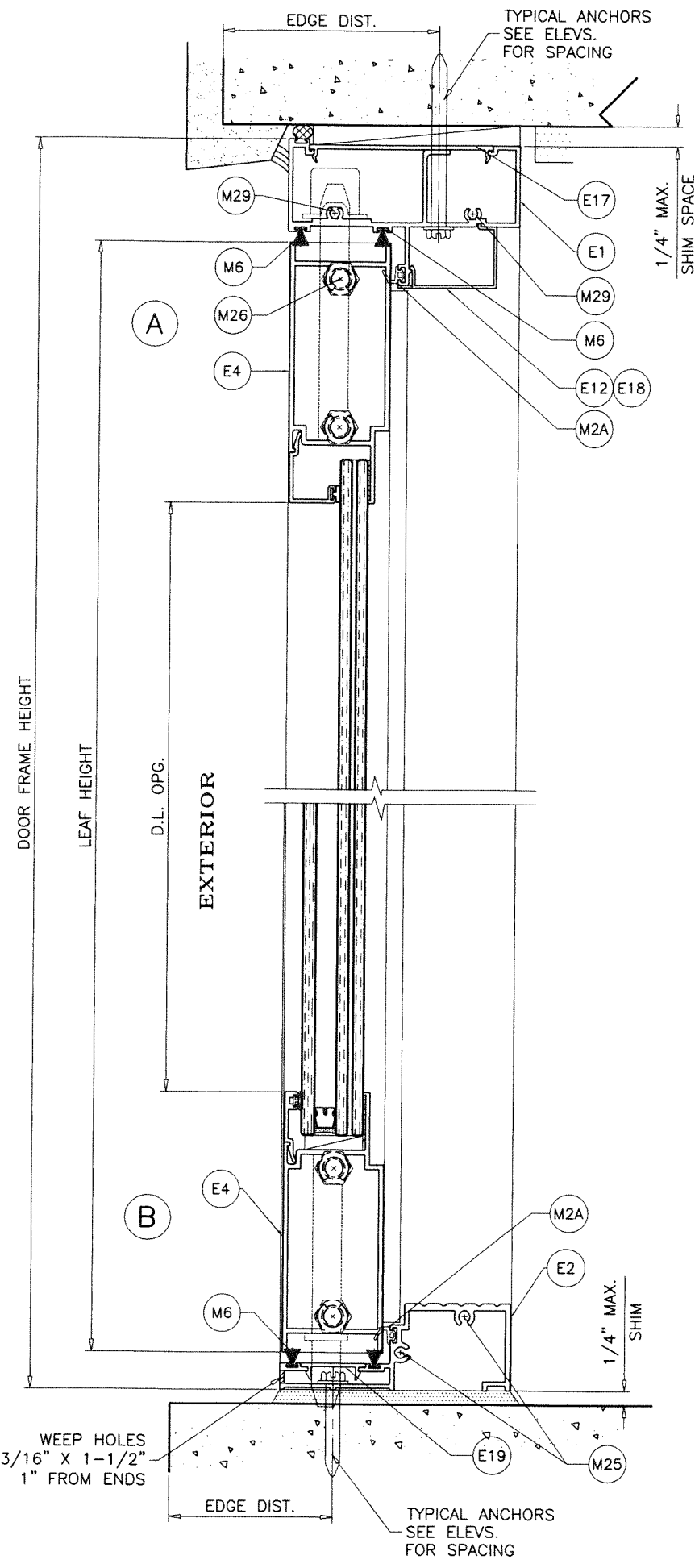
drawing no.
21-06D

sheet 4 of 12

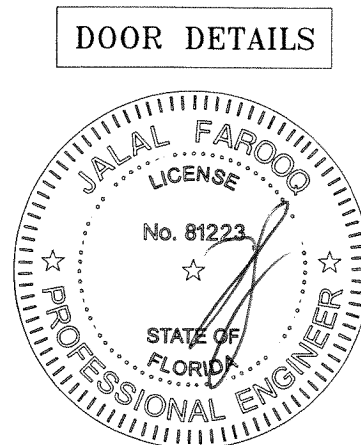


JUL 07 2023

COMP-ANL\21-06D-ES



PRODUCT REVISED
 as complying with the Florida
 Building Code
 NOA-No. 23-0714.10
 Expiration Date 01/04/2028
 By Ishag I. Chande
 Miami-Dade Product Control



JUL 07 2023

af c
AL-FAROOQ CORPORATION
 ENGINEERS & PRODUCT DEVELOPMENT
 9360 SUNSET DRIVE, SUITE 220
 MIAMI, FLORIDA 33173 (C.A.N. 3538)
 TEL. (305) 264-8100 FAX. (305) 262-6978
 COMP-ANL\21-06D-ES

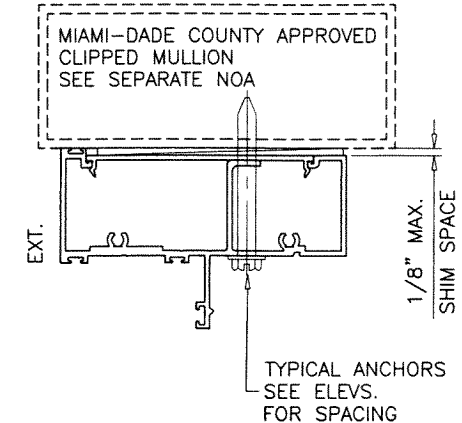
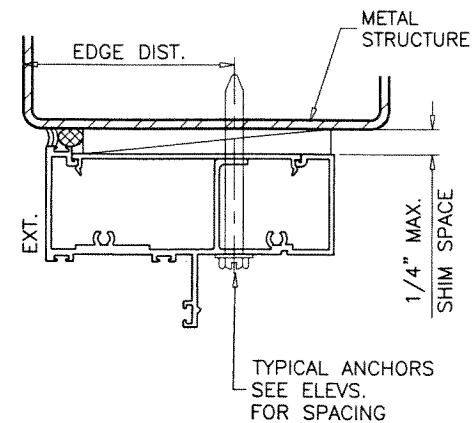
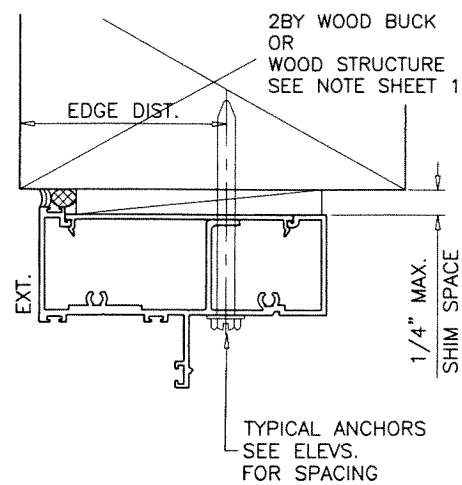
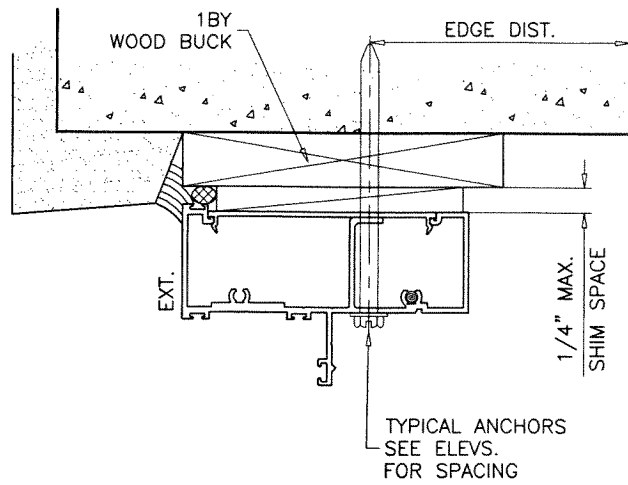
ES-EL300-9 ALUMINUM OUTSWING DOOR (L.M.I.)
E.S. WINDOWS, LLC
 3550 N.W. 49 STREET
 MIAMI, FL. 33142
 TEL. (305) 638-5151 FAX. (305) 638-5158

no	date	description
A	03.10.22	NO CHANGE THIS SHEET
B	06.29.23	NO CHANGE THIS SHEET

revisions:

date: 09-17-21
 scale: 3/8" = 1"
 dr. by: TARIQ
 chk. by:

drawing no. **21-06D**
 sheet 5 of 12



WOOD BUCKS AND METAL STRUCTURE NOT BY 'E.S. WINDOWS' MUST SUSTAIN LOADS IMPOSED BY GLAZING SYSTEM AND TRANSFER THEM TO THE BUILDING STRUCTURE.

TYPICAL ANCHORS: SEE ELEV. FOR SPACING

1/4" DIA. ULTRACON+ BY 'DEWALT' (Fu=164 KSI, Fy=148 KSI)
 INTO 2BY WOOD BUCKS OR WOOD STRUCTURES
 1-1/2" MIN. PENETRATION INTO WOOD (HEAD/JAMBS)
 THRU 1BY BUCKS INTO CONC. OR BLOCKS
 1-3/4" MIN. EMBED INTO CONCRETE (HEAD/JAMBS)
 1-1/4" MIN. EMBED INTO BLOCKS (JAMBS)

DIRECTLY INTO CONCRETE OR GROUT FILLED BLOCKS
 1-3/4" MIN. EMBED INTO CONCRETE (HEAD/SILL/JAMBS)
 1-3/4" MIN. EMBED INTO GROUT FILLED BLOCKS (JAMBS)

1/4" DIA. TEKS OR SELF DRILLING SCREWS (GRADE 5 CRS)
 INTO MIAMI-DADE COUNTY APPROVED MULLIONS
 OR
 INTO METAL STRUCTURES (HEAD/JAMBS)
 (3) THREADS MIN. PENETRATION BEYOND SUBSTRATE
 ALUMINUM: 1/8" THK. MIN. (6063-T5 MIN.)
 STEEL: 1/8" THK. MIN. (Fy = 36 KSI MIN.)
 (STEEL IN CONTACT WITH ALUMINUM TO BE PLATED OR PAINTED)

TYPICAL EDGE DISTANCE

INTO CONCRETE AND MASONRY = 2-1/2" MIN.
 INTO WOOD STRUCTURE = 1" MIN.
 INTO METAL STRUCTURE = 3/4" MIN.

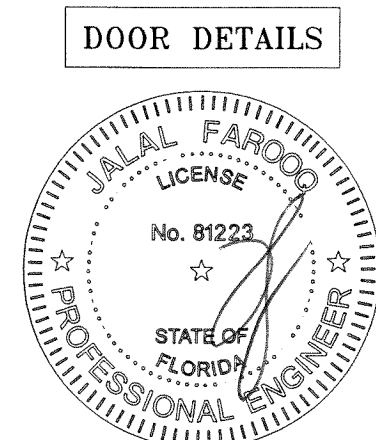
WOOD AT HEAD OR JAMBS SG = 0.55 MIN.
 CONCRETE AT HEAD, SILL OR JAMBS f'c = 3000 PSI MIN.
 C-90 GROUT FILLED BLOCK AT JAMBS f'm = 2000 PSI MIN.

PRODUCT REVISED
 as complying with the Florida Building Code
 NOA-No. 23-0714.10

Expiration Date 01/04/2028

By *Ishag I. Chande*
 Miami-Dade Product Control

JUL 07 2023



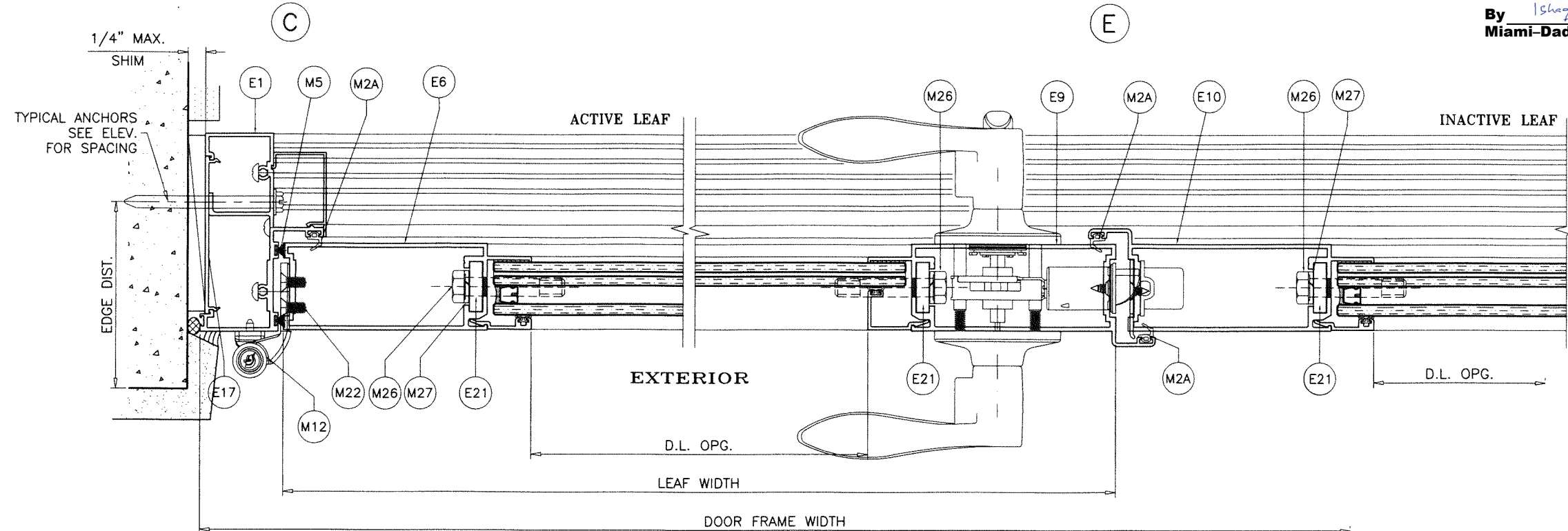
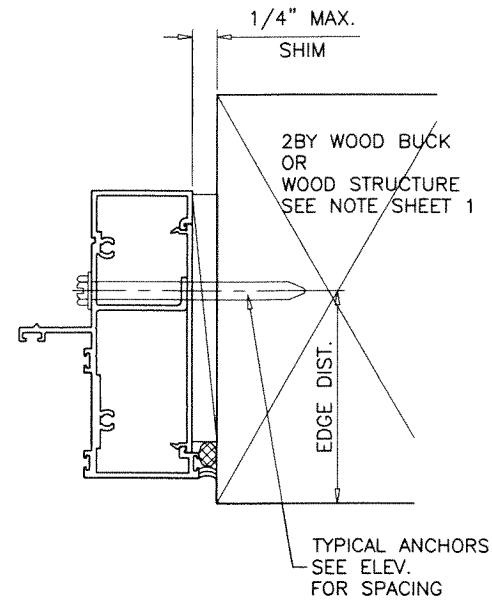
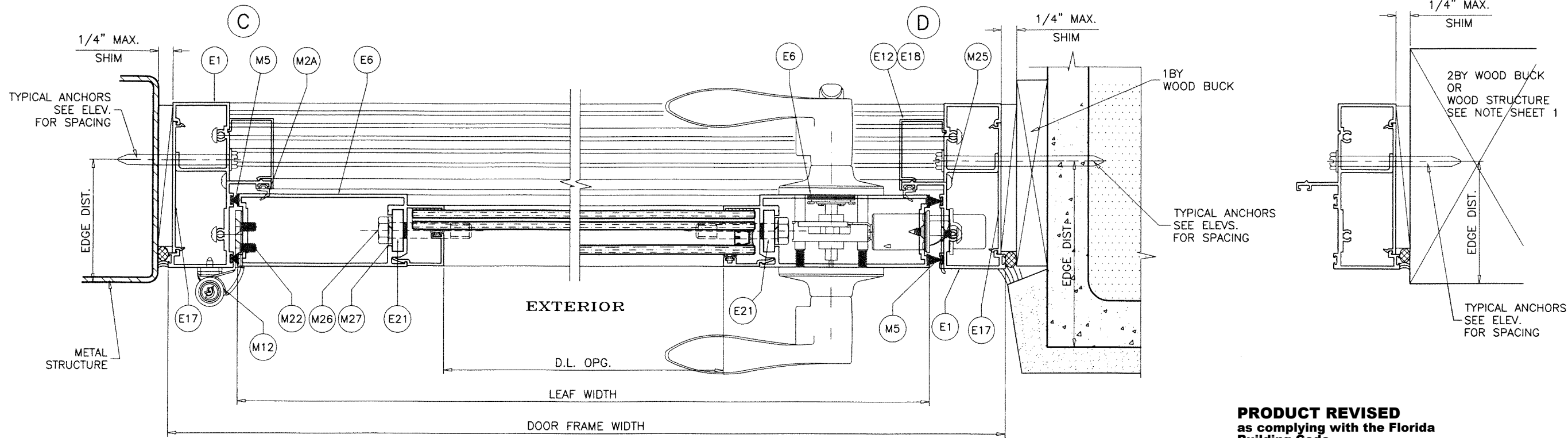
af c
AL-FAROOQ CORPORATION
 ENGINEERS & PRODUCT DEVELOPMENT
 9360 SUNSET DRIVE, SUITE 220 (C.A.N. 3538)
 MIAMI, FLORIDA 33173
 TEL. (305) 264-8100 FAX. (305) 262-6978
 COMP-ANL\21-06D-ES

ES-EL300-9 ALUMINUM OUTSWING DOOR (L.M.I.)
E.S. WINDOWS, LLC
 3550 N.W. 49 STREET
 MIAMI, FL. 33142
 TEL. (305) 638-5151 FAX. (305) 638-5158

revisions:		no	date	by	description
A	03.10.22			REV. PER RER COMMENTS	
B	06.29.23			NO CHANGE THIS SHEET	

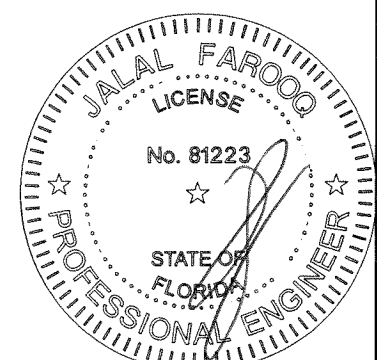
date: 09-17-21
 scale: 3/8" = 1"
 dr. by: TARIQ
 chk. by:

drawing no. **21-06D**
 sheet 6 of 12



PRODUCT REVISED
 as complying with the Florida
 Building Code
 NOA-No. 23-0714.10
 Expiration Date 01/04/2028
 By *Ishag I. Chande*
 Miami-Dade Product Control

DOOR DETAILS



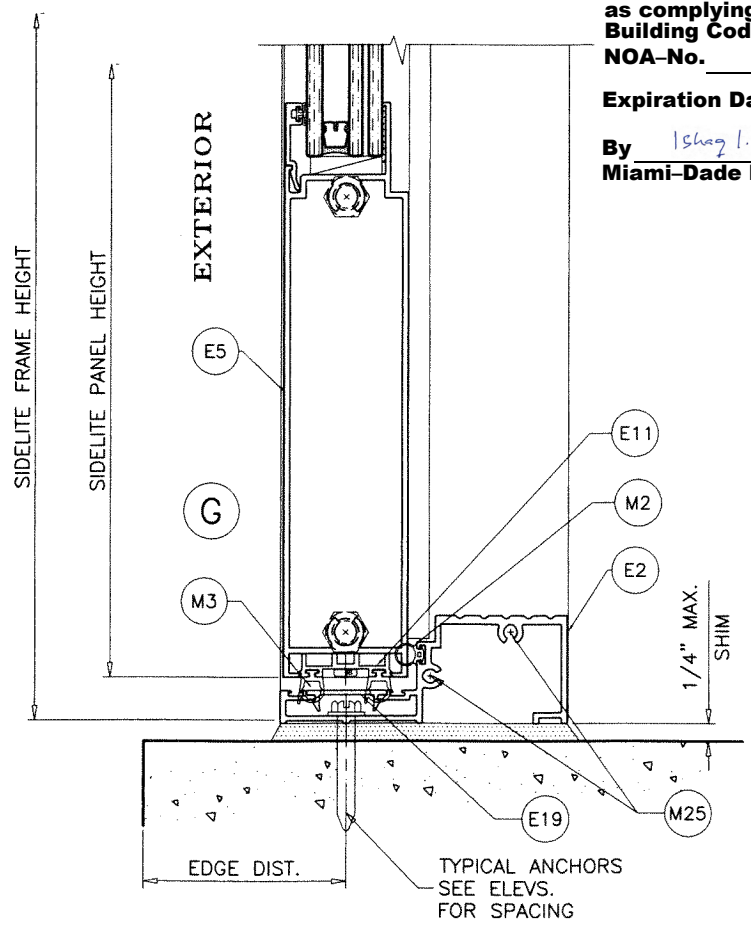
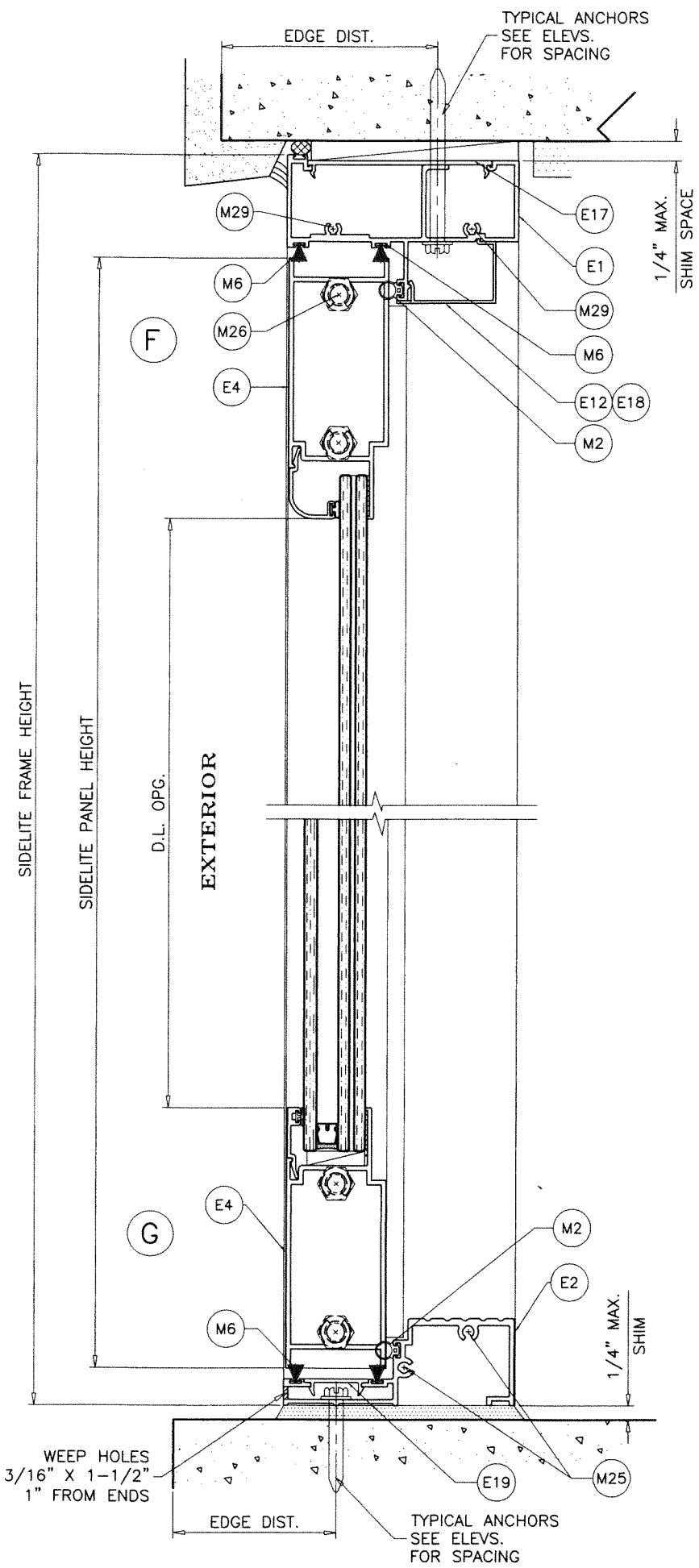
JUL 07 2023

af c
AL-FAROOQ CORPORATION
 ENGINEERS & PRODUCT DEVELOPMENT
 9360 SUNSET DRIVE, SUITE 220
 MIAMI, FLORIDA 33173 (C.A.N. 3538)
 TEL. (305) 264-8100 FAX. (305) 262-6978
 COMP-ANL\21-06D-ES

ES-EL300-9 ALUMINUM OUTSWING DOOR (L.M.I.)
E.S. WINDOWS, LLC
 3550 N.W. 49 STREET
 MIAMI, FL. 33142
 TEL. (305) 638-5151 FAX. (305) 638-5158

revisions:	no	date	by	description
	A	03.10.22		NO CHANGE THIS SHEET
	B	06.29.23		NO CHANGE THIS SHEET

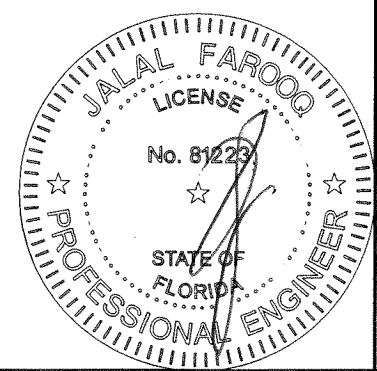
date:	09-17-21	scale:	3/8" = 1"	dr. by:	TARIQ	chk. by:	
drawing no.	21-06D						
sheet	7 of 12						



PRODUCT REVISED
 as complying with the Florida
 Building Code
 NOA-No. 23-0714.10
 Expiration Date 01/04/2028
 By *Ishag I. Chande*
 Miami-Dade Product Control

JUL 07 2023

SIDELITE DETAILS



af c

AL-FAROOQ CORPORATION
 ENGINEERS & PRODUCT DEVELOPMENT
 9360 SUNSET DRIVE, SUITE 220
 MIAMI, FLORIDA 33173 (C.A.N. 3538)
 TEL. (305) 264-8100 FAX. (305) 262-6978
 COMP-ANL\21-06D-ES

ES-EL300-9 ALUMINUM OUTSWING DOOR (L.M.I.)

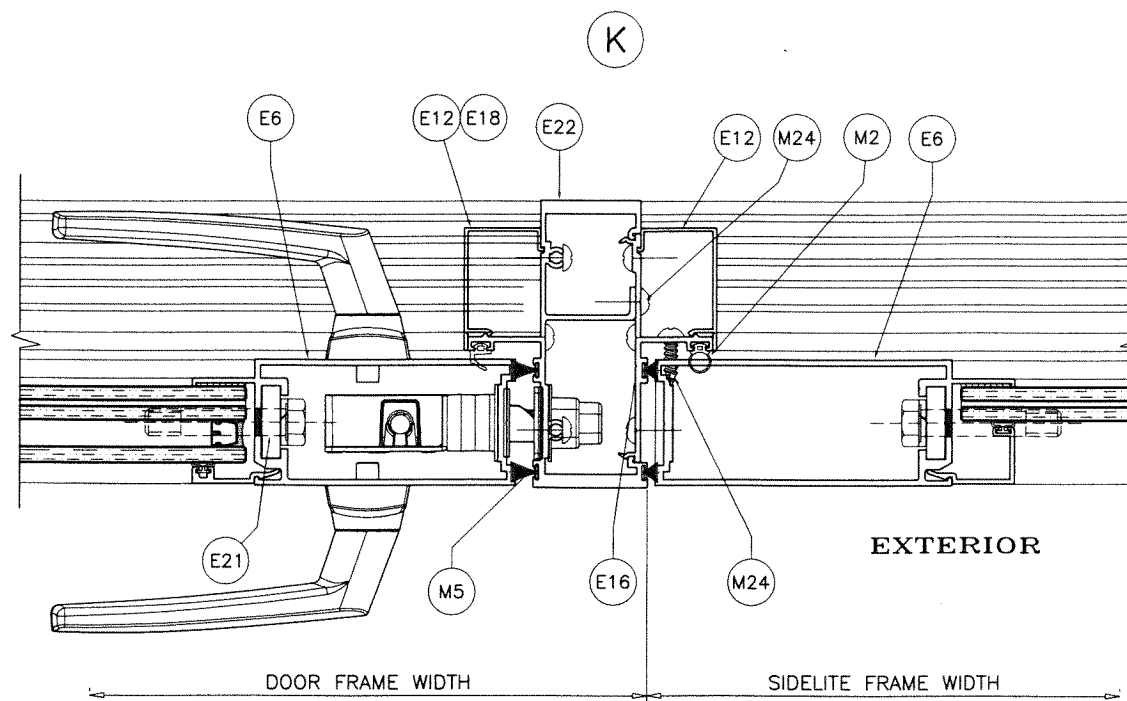
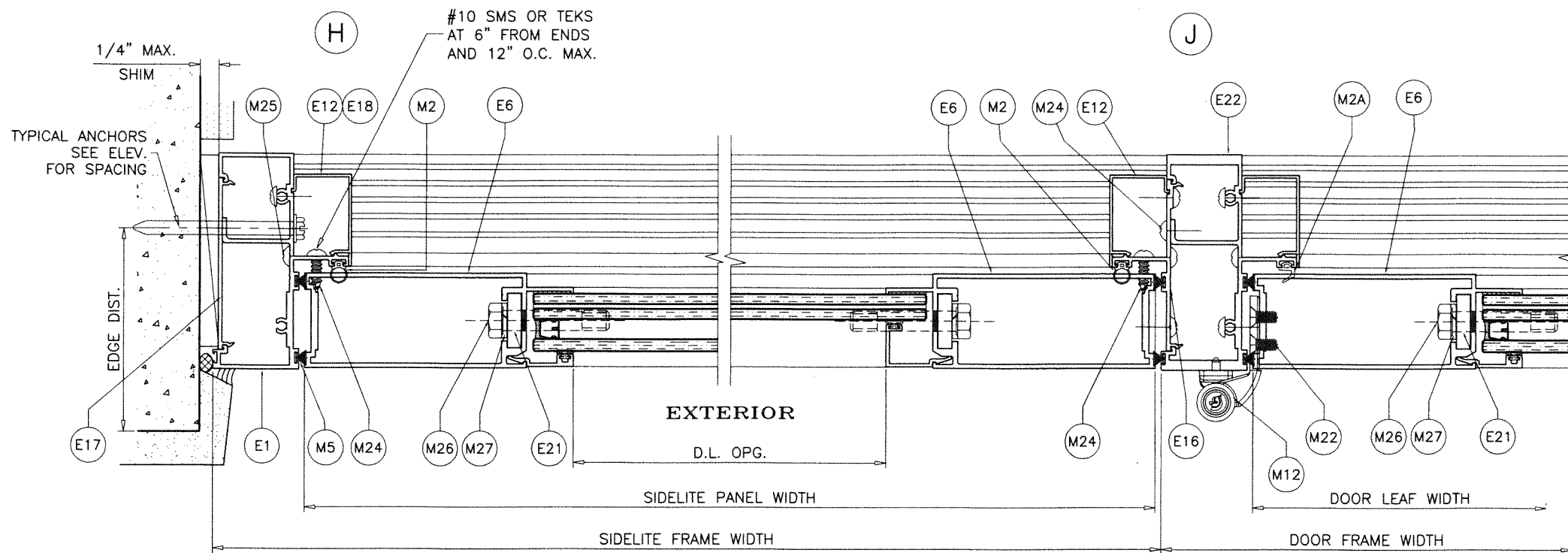
E.S. WINDOWS, LLC
 3550 N.W. 49 STREET
 MIAMI, FL. 33142
 TEL. (305) 638-5151 FAX. (305) 638-5158

revisions:	no	date	by	description
	A	03.10.22		NO CHANGE THIS SHEET
	B	06.29.23		NO CHANGE THIS SHEET

date: 09-17-21
 scale: 3/8" = 1"
 dr. by: TARIQ
 chk. by:

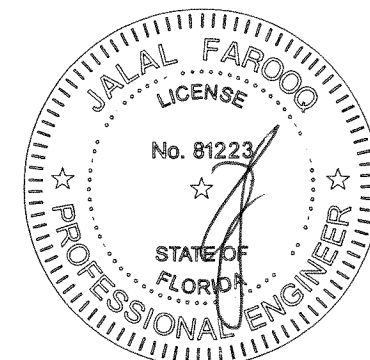
drawing no.
21-06D

sheet **8** of **12**



PRODUCT REVISED
 as complying with the Florida
 Building Code
 NOA-No. 23-0714.10
 Expiration Date 01/04/2028
 By Ishaq I. Chande
 Miami-Dade Product Control

JUL 07 2023



SIDELITE DETAILS

af c
AL-FAROOQ CORPORATION
 ENGINEERS & PRODUCT DEVELOPMENT
 9360 SUNSET DRIVE, SUITE 220
 MIAMI, FLORIDA 33173 (C.A.N. 3538)
 TEL. (305) 264-8100 FAX. (305) 262-6978
 COMP-ANL\21-06D-ES

ES-EL300-9 ALUMINUM OUTSWING DOOR (L.M.I.)
E.S. WINDOWS, LLC
 3550 N.W. 49 STREET
 MIAMI, FL. 33142
 TEL. (305) 638-5151 FAX. (305) 638-5158

no	date	description
A	03.10.22	NO CHANGE THIS SHEET
B	06.29.23	NO CHANGE THIS SHEET

revisions: no date by description

date: 09-17-21
 scale: 3/8" = 1"
 dr. by: TARIQ
 chk. by:

drawing no. 21-06D
 sheet 9 of 12

ITEM #	PART #	REQD.	DESCRIPTION	MATERIAL	MANF./SUPPLIER/REMARKS
E1	ES-EL300-001	3	FRAME HEAD/JAMB	6063-T6	-
E2	ES-EL300-002	1	FRAME SILL (STD.)	6063-T6	-
E4	ES-EL300-004	2/ LEAF	TOP AND BOTTOM RAIL	6063-T6	-
E5	ES-EL300-005	1/ LEAF	HI-RISE BOTTOM RAIL	6063-T6	-
E6	ES-EL300-020	1/ LEAF	JAMB STILE	6063-T6	-
E9	ES-EL300-021	1	ASTRAGAL STILE (ACTIVE)	6063-T6	-
E10	ES-EL300-022	1	ASTRAGAL STILE (INACTIVE)	6063-T6	-
E12	ES-EL300-012	1	FRAME COVER	6063-T5	-
E13	ES-EL300-013	4/ LEAF	GLASS STOP (LAM. GLASS)	6063-T5	-
E14	ES-EL300-014	4/ LEAF	GLASS STOP (LAM. GLASS)	6063-T5	-
E15	ES-EL300-015	4/ LEAF	GLASS STOP (INSUL. LAM. GLASS)	6063-T5	-
E16	ES-EL300-016	AS REQD.	SNAP IN FILLER	6063-T6	-
E17	ES-EL300-017	AS REQD.	EXTERIOR TRIM	6063-T6	-
E18	ES-EL300-018	AS REQD.	FRAME COVER	6063-T5	-
E19	ES-EL300-019	1	COVER STD. SILL	6063-T6	-
E21	ACC-PL-020	1	BACK UP PLATE	6063-T6	-
E22	ES-EL300-026	1	MULLION	6063-T6	-
M1	ES-5008A	AS REQD.	GLAZING GASKET	SILICONE	DUROMETER 65±5 SHORE A
M2	ES-P251-G05A	AS REQD.	SIDELITE GASKET	SILICONE	DUROMETER 70±5 SHORE A
M2A	ES-EL300-G01	AS REQD.	DOOR LEAF GASKET	SILICONE	DUROMETER 65±5 SHORE A
M4	ES-21-B04A	2/ LITE	SETTING BLOCKS AT 1/4 POINTS	SILICONE	DUROMETER 80±5 SHORE A
M5	W23221NG	AS REQD.	PILE W'STRIPPING	POLYPROPYLENE	-
M6	W23221NK	AS REQD.	PILE W'STRIPPING	POLYPROPYLENE	-
M7	W23381NK	AS REQD.	PILE W'STRIPPING	POLYPROPYLENE	-
M12	DH01-6005	4/ LEAF	ATHENA HINGE	-	-
M22	#12-24 X 1/2"	-	HINGE FASTENERS	ST/ST	FH SMS
M24	#10 X 3/4"	-	FIX. PANEL FASTENERS, AT 6" FROM ENDS & 12" O.C.	ST/ST	PH SMS
M25	#12 X 1-3/4"	-	FRAME ASSEMBLY FASTENERS	ST/ST	PH SMS
M26	3/8-16 X 2"	-	LEAF/PANEL ASSEMBLY FASTENERS	ST/ST	HEX CAP FULL THREAD 18-8
M27	-	-	3/8" WASHER	ST/ST	HEX CAP FULL THREAD 18-8
M29	#10 X 1-3/4"	AS REQD.	HEAD ASSEMBLY FASTENERS	ST/ST	PH SMS

LOCKS:

ACTIVE LEAF:

CONVENTIONAL DOOR LOCKSET WITH HANDLE BY 'BALDWIN' LOCATED AT 37" FROM BOTTOM KEY OPERATED ON EXTERIOR AND THUMB TURN ON INTERIOR THROW BOLT LOCATED AT 45" FROM BOTTOM

CONCEALED FLUSH BOLTS FB-1202 BY 'SULLIVAN & ASSOCIATES' 1/2" X 2" THROW BOLTS ENGAGING FRAME AT HEAD AND SILL MANUALLY OPERATED LEVERS MOUNTED ON STILE FACE LOCATED AT 12" FROM TOP AND BOTTOM LOCK FASTENED TO STILE WITH (2) #8-32 X 1/2" FH MS

INACTIVE LEAF:

CONCEALED FLUSH BOLTS FB-1202 BY 'SULLIVAN & ASSOCIATES' 1/2" X 2" THROW BOLTS ENGAGING FRAME AT HEAD AND SILL MANUALLY OPERATED LEVERS MOUNTED ON INSIDE FACE OF LEAF STILE LOCATED AT 12" FROM TOP AND BOTTOM LOCK FASTENED TO STILE WITH (2) #8-32 X 1/2" FH MS

HINGES:

STAINLESS STEEL ATHENA HINGES BY 'SECURISTYLE' FASTENED WITH 12-24 X 1/2" FH MACHINE SCREWS FOUR PER HASP(LEAF). TOP HINGES AT 9" FROM TOP BOTTOM HINGES AT 7-1/2" FROM BOTTOM (1) HINGE AT MIDSPAN

SEALANTS:

ALL FRAME AND LEAF JOINTS AND SEAMS SEALED WITH DOWSIL 791 SILICONE.

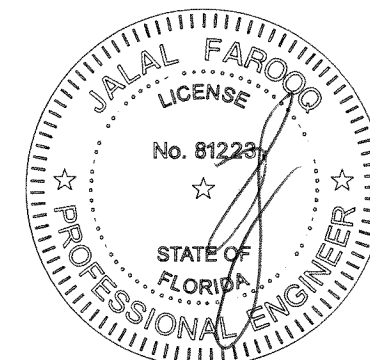
PRODUCT REVISED
as complying with the Florida Building Code

NOA-No. 23-0714.10

Expiration Date 01/04/2028

By Ishaq I. Chande
Miami-Dade Product Control

JUL 07 2023

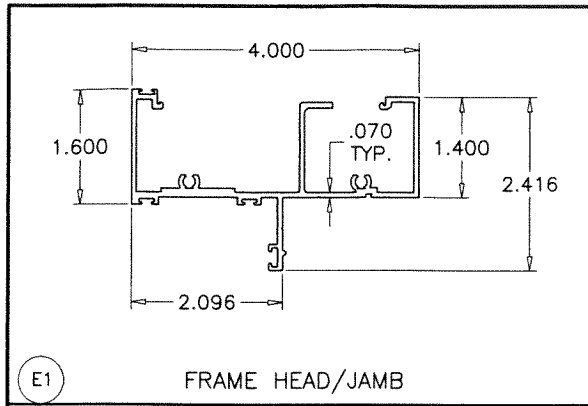


af c
AL-FAROOQ CORPORATION
ENGINEERS & PRODUCT DEVELOPMENT
9360 SUNSET DRIVE, SUITE 220
MIAMI, FLORIDA 33173 (C.A.N. 3538)
TEL. (305) 264-8100 FAX. (305) 262-6978

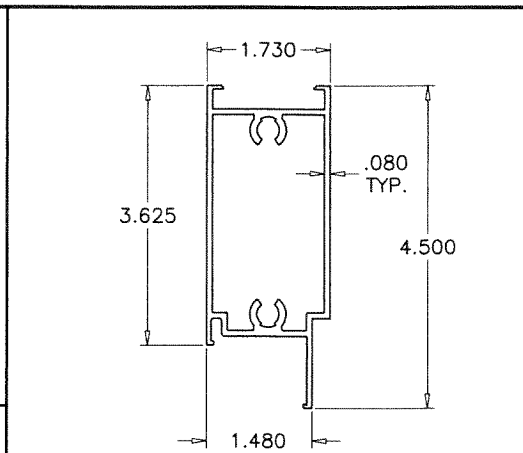
ES-EL300-9 ALUMINUM OUTSWING DOOR (L.M.I.)
E.S. WINDOWS, LLC
3550 N.W. 49 STREET
MIAMI, FL. 33142
TEL. (305) 638-5151 FAX. (305) 638-5158

revisions:	no	date	by	description
	A	03.10.22		NO CHANGE THIS SHEET
	B	06.29.23		NO CHANGE THIS SHEET
date:	09-17-21			
scale:	3/8" = 1"			
dr. by:	TARIQ			
chk. by:				
drawing no.	21-06D			
sheet	10 of 12			

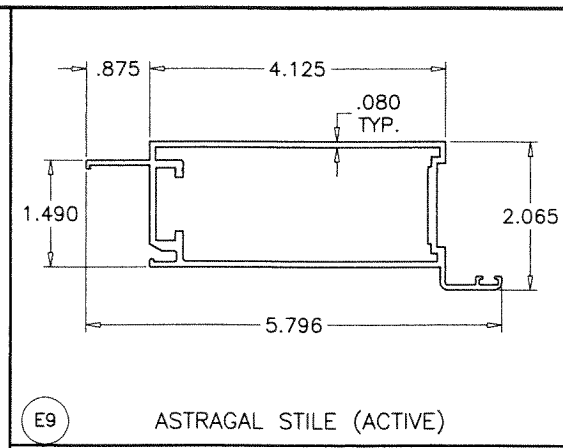
COMP-ANL\21-06D-ES



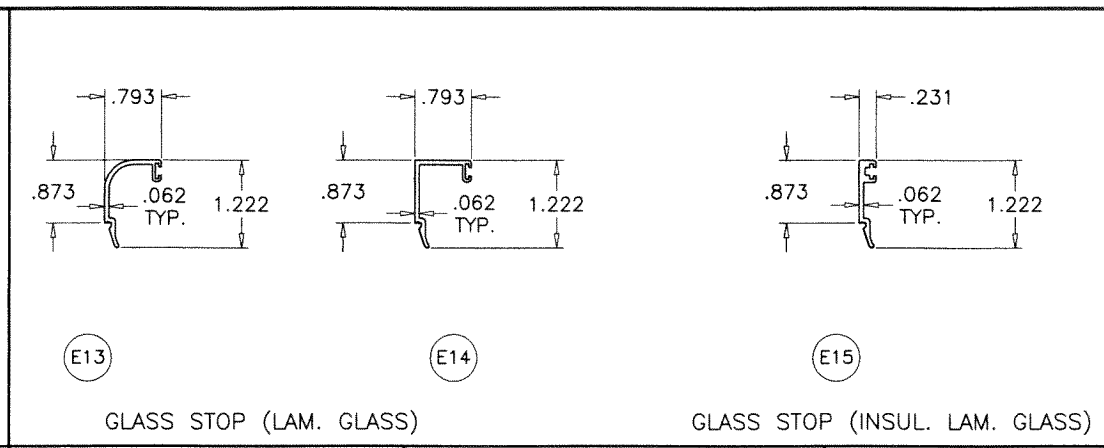
E1 FRAME HEAD/JAMB



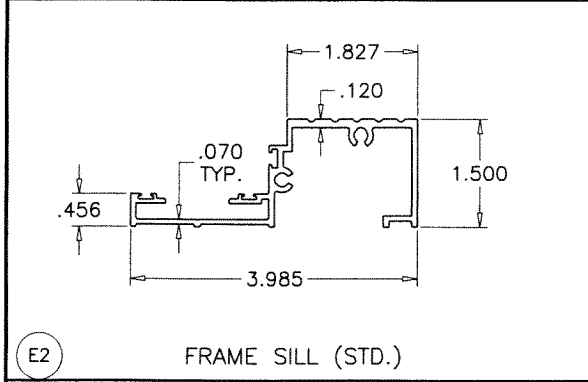
E4 TOP AND BOTTOM RAIL



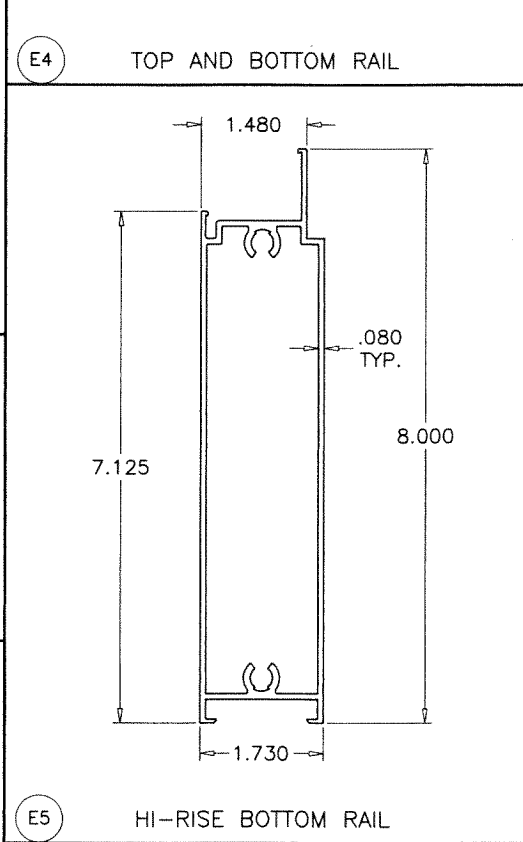
E9 ASTRAGAL STILE (ACTIVE)



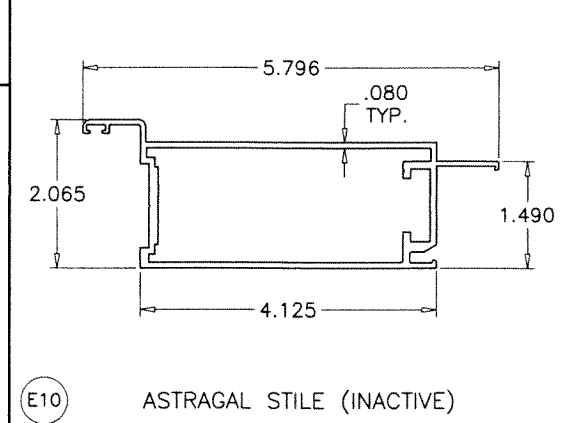
E13 GLASS STOP (LAM. GLASS) E14 GLASS STOP (INSUL. LAM. GLASS) E15 GLASS STOP (INSUL. LAM. GLASS)



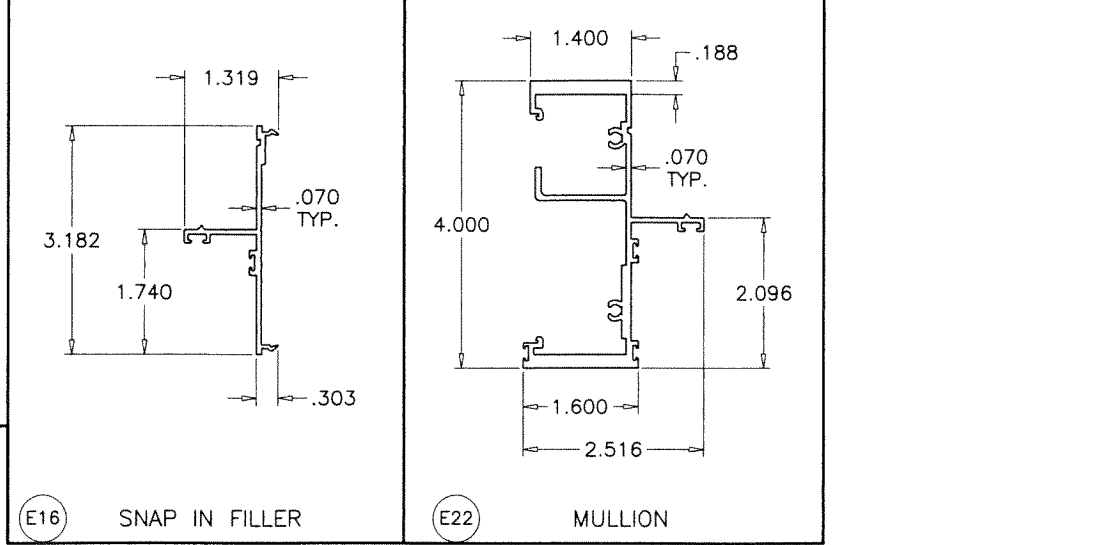
E2 FRAME SILL (STD.)



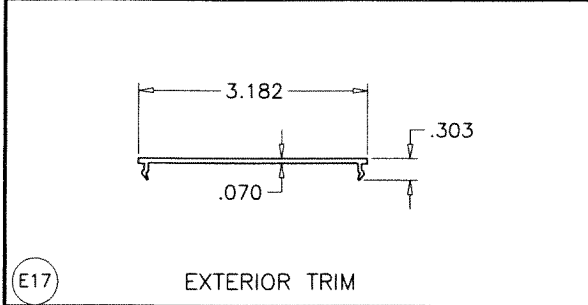
E5 HI-RISE BOTTOM RAIL



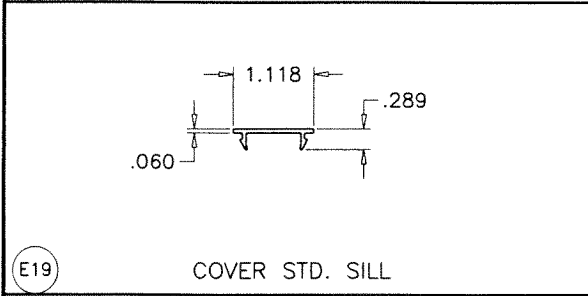
E10 ASTRAGAL STILE (INACTIVE)



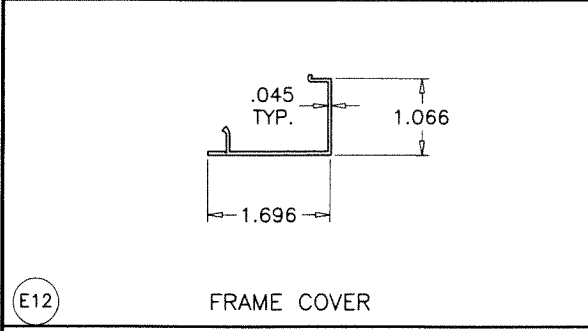
E16 SNAP IN FILLER E22 MULLION



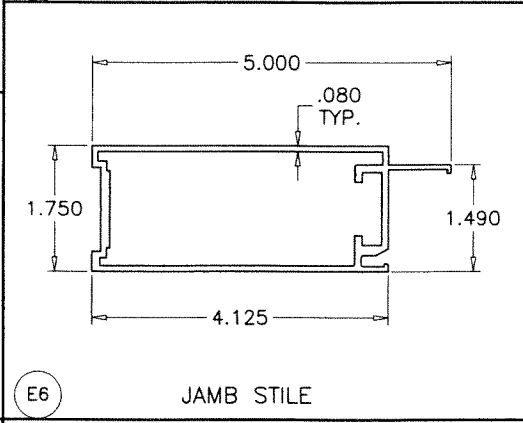
E17 EXTERIOR TRIM



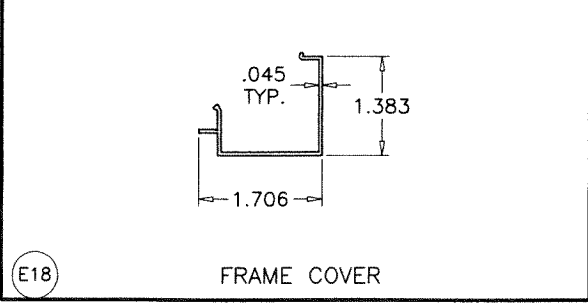
E19 COVER STD. SILL



E12 FRAME COVER



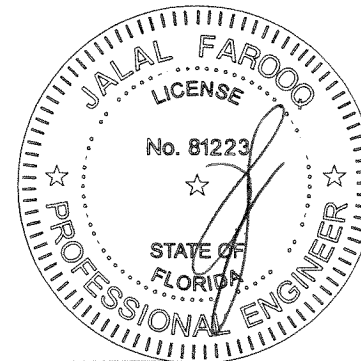
E6 JAMB STILE



E18 FRAME COVER

PRODUCT REVISED
 as complying with the Florida
 Building Code
 NOA-No. 23-0714.10
 Expiration Date 01/04/2028
 By *Ishag I. Chande*
 Miami-Dade Product Control

JUL 07 2023



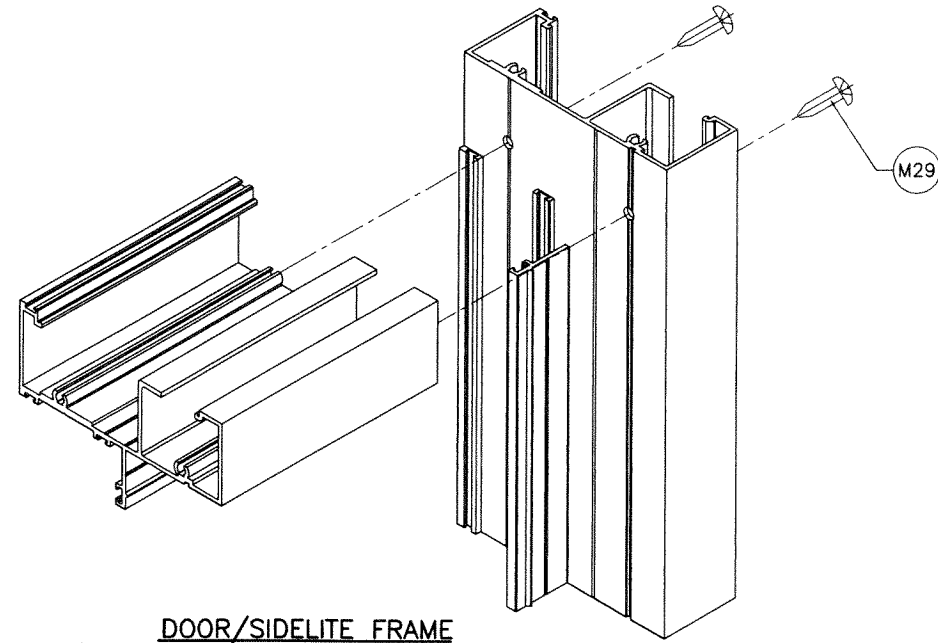
af c
AL-FAROOQ CORPORATION
 ENGINEERS & PRODUCT DEVELOPMENT
 9360 SUNSET DRIVE, SUITE 220
 MIAMI, FLORIDA 33173 (C.A.N. 3538)
 TEL. (305) 264-8100 FAX. (305) 262-6978
 COMP-ANL\21-06D-ES

ES-EL300-9 ALUMINUM OUTSWING DOOR (L.M.I.)
E.S. WINDOWS, LLC
 3550 N.W. 49 STREET
 MIAMI, FL. 33142
 TEL. (305) 638-5151 FAX. (305) 638-5158

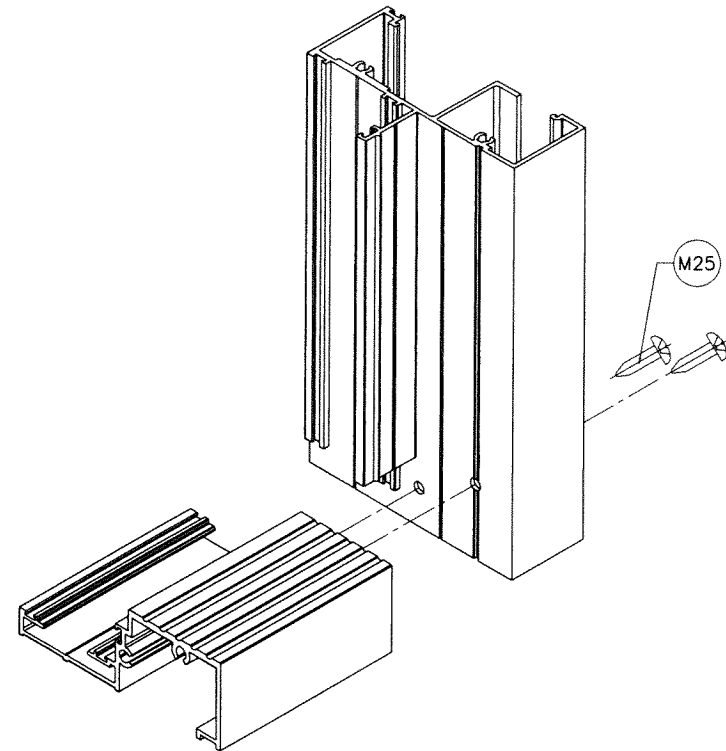
no.	date	by	description
A	03.10.22		NO CHANGE THIS SHEET
B	06.29.23		NO CHANGE THIS SHEET

date: 09-17-21
 scale: 3/8" = 1"
 dr. by: TARIQ
 chk. by:

drawing no. **21-06D**
 sheet 11 of 12

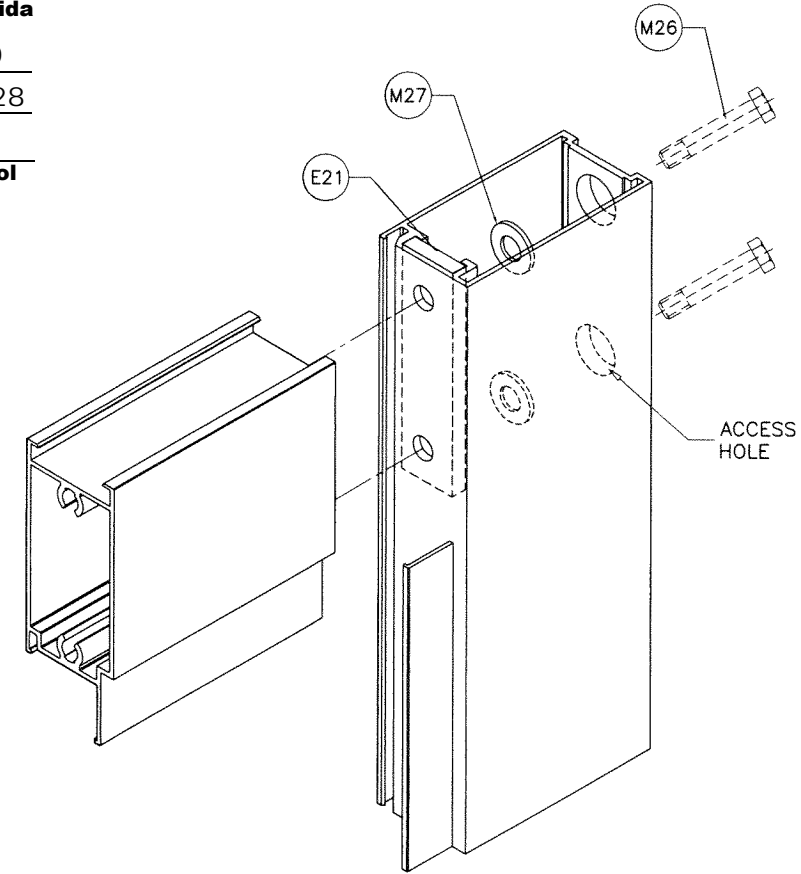


**DOOR/SIDELITE FRAME
TOP CORNER**



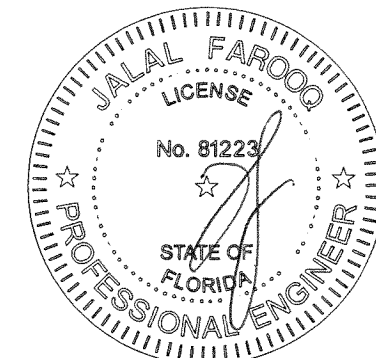
**DOOR/SIDELITE FRAME
BOTTOM CORNER**

PRODUCT REVISED
 as complying with the Florida
 Building Code
 NOA-No. 23-0714.10
 Expiration Date 01/04/2028
 By *Ishag I. Chande*
 Miami-Dade Product Control



**DOOR LEAF CORNER
SIDELITE PANEL CORNER**

JUL 07 2023



af c
AL-FAROOQ CORPORATION
 ENGINEERS & PRODUCT DEVELOPMENT
 9360 SUNSET DRIVE, SUITE 220 (C.A.N. 3538)
 MIAMI, FLORIDA 33173
 TEL. (305) 264-8100 FAX. (305) 262-6978
 COMP-ANL\21-06D-ES

ES-EL300-9 ALUMINUM OUTSWING DOOR (L.M.I.)
E.S. WINDOWS, LLC
 3550 N.W. 49 STREET
 MIAMI, FL. 33142
 TEL. (305) 638-5151 FAX. (305) 638-5158

revisions:		no	date	by	description
	A	03.10.22			NO CHANGE THIS SHEET
	B	06.29.23			NO CHANGE THIS SHEET

date:	09-17-21
scale:	3/8" = 1"
dr. by:	TARIQ
chk. by:	

drawing no.	21-06D
sheet	12 of 12