

NOTICE OF ACCEPTANCE (NOA)

ES Windows, LLC
3550 NW 49th Street
Miami, FL 33142

SCOPE:

This NOA is being issued under the applicable rules and regulations governing the use of construction materials. The documentation submitted has been reviewed and accepted by Miami-Dade County RER - Product Control Section to be used in Miami Dade County and other areas where allowed by the Authority Having Jurisdiction (AHJ).

This NOA shall not be valid after the expiration date stated below. The Miami-Dade County Product Control Section (In Miami Dade County) and/or the AHJ (in areas other than Miami Dade County) reserve the right to have this product or material tested for quality assurance purposes. If this product or material fails to perform in the accepted manner, the manufacturer will incur the expense of such testing and the AHJ may immediately revoke, modify, or suspend the use of such product or material within their jurisdiction. RER reserves the right to revoke this acceptance, if it is determined by Miami-Dade County Product Control Section that this product or material fails to meet the requirements of the applicable building code.

This product is approved as described herein and has been designed to comply with the Florida Building Code, including the High Velocity Hurricane Zone.

DESCRIPTION: Series "EL400-10" Aluminum Sliding Glass Door - L.M.I.

APPROVAL DOCUMENT: Drawing No. **20-12D Rev D**, titled "ES-EL400-10" Alum. Sliding Glass Door (L.M.I.)", sheets 1 through 23 of 23, prepared by Al-Farooq Corporation dated 09/11/20 and last revised on JUL 07, 2023, signed and sealed by Jalal Farooq, P.E., bearing the Miami-Dade County Product Control Revision stamp with the Notice of Acceptance number and expiration date by the Miami-Dade County Product Control Section.

MISSILE IMPACT RATING: Large and Small Missile Impact Resistant

Limitations:

1. See Elevations in sheets **1, 2, 3, 4** and anchors requirements. See Header anchor capacity charts in sheet **6** and Glass capacity VS size in sheet **5**. Overall Lower Design Pressure (DP) controls for entire assembly.
2. See sheets **7 thru 13** for various configurations, tracks, pockets, non-pockets and allowable frame area.
3. See Water Rating qualified Sill Riser and alternate Sill Riser in sheet **22**.

LABELING: Each unit shall bear a permanent label with the manufacturer's name or logo, **Barranquilla, Columbia, S.A.**, series, and the following statement: "Miami-Dade County Product Control Approved", unless otherwise noted herein.

RENEWAL of this NOA shall be considered after a renewal application has been filed and there has been no change in the applicable building code negatively affecting the performance of this product.

TERMINATION of this NOA will occur after the expiration date or if there has been a revision or change in the materials, use, and/or manufacture of the product or process. Misuse of this NOA as an endorsement of any product, for sales, advertising or any other purposes shall automatically terminate this NOA. Failure to comply with any section of this NOA shall be cause for termination and removal of NOA.

ADVERTISEMENT: The NOA number preceded by the words Miami-Dade County, Florida, and followed by the expiration date may be displayed in advertising literature. If any portion of the NOA is displayed, then it shall be done in its entirety.

INSPECTION: A copy of this entire NOA shall be provided to the user by the manufacturer or its distributors and shall be available for inspection at the job site at the request of the Building Official.

This NOA **revises** NOA # **21-0118.05** and consists of this page 1 and evidence pages E-1, E-2, E-3, E-4, E-5 and E-6, as well as approval document mentioned above.

The submitted documentation was reviewed by **Ishaq I. Chanda, P.E.**



Ishaq I. Chanda

NOA No. 23-0714.12
Expiration Date: July 20, 2027
Approval Date: August 17, 2023
Page 1

NOTICE OF ACCEPTANCE: EVIDENCE SUBMITTED

1. Evidence submitted under previous approval.

A. DRAWINGS

1. Manufacturer's die drawings and sections.
2. Drawing No. **W16-73**, titled "ES-EL400 Alum. Sliding Glass Door (L.M.I.)", sheets 1 through 23 of 23, dated 11/28/16, with revision A dated 07/12/17, prepared by Al-Farooq Corporation, signed and sealed by Javad Ahmad, P.E.

B. TESTS

1. Test reports on:
 - 1) Air Infiltration Test, per FBC, TAS 202-94
 - 2) Uniform Static Air Pressure Test, Loading per FBC, TAS 202-94
 - 3) Water Resistance Test, per FBC, TAS 202-94
 - 4) Forced Entry Test, per FBC, and TAS 202-94
 - 6) Large Missile Impact Test per FBC, TAS 201-94
 - 7) Cyclic Wind Pressure Loading per FBC, TAS 203-94along with marked-up drawings and installation diagram of an aluminum sliding glass door, prepared by Blackwater Testing, Inc., Test Report No. **BT-ESW-17-009**, dated 06/15/17, signed and sealed by Constantin Bortes, P.E. with Letter of Clarification issued on 07/13/17, signed and sealed by Constantin Bortes, P.E.

C. CALCULATIONS

1. Anchor verification calculations and structural analysis, complying with **FBC-5th Edition (2014) and FBC-6th Edition (2017)**, dated 06/20/17 and revised on 07/13/17, prepared by Al-Farooq Corporation, signed and sealed by Javad Ahmad, P.E.
2. Glazing complies with **ASTM E1300-09**.
3. Analysis recommendation letter prepared by Al-Farooq Corporation dated AUG 03, 2020 for #10 screw boss for Extrusion parts # ES-EL-400-.001, -.002 and -.005, signed and sealed by Jalal Farooq, P.E.

D. QUALITY ASSURANCE

1. Miami-Dade Department of Regulatory and Economic Resources (RER)

E. MATERIAL CERTIFICATIONS

1. Notice of Acceptance No. **16-1117.01** issued to **Kuraray America, Inc.** for their "**Trosifol® Ultraclear, Clear and Color PVB Glass Interlayers**", expiring on 07/08/19.
2. Notice of Acceptance No. **14-0916.11** issued to **Kuraray America, Inc.** for their "**Sentry Glass® (Clear and White) Glass Interlayer**", expiring on 07/04/18.
3. Notice of Acceptance No. **15-1201.11** issued to **Eastman Chemical Co. (MA)** for their "**Saflex Clear and Color Glass Interlayers**", expiring on 05/21/21.
4. Notice of Acceptance No. **14-0423.15** issued to **Eastman Chemical Co. (MA)** for their "**Saflex CP – Saflex and Saflex HP Composite Glass Interlayers with PET Core**", expiring on 11/11/18.

Ishaq I. Chanda

Ishaq I. Chanda, P.E.
Product Control Unit Supervisor
NOA No. 23-0714.12
Expiration Date: July 20, 2027
Approval Date: August 17, 2023

NOTICE OF ACCEPTANCE: EVIDENCE SUBMITTED

F. STATEMENTS

1. Statement letter of conformance, complying with **FBC-5th Edition (2014)** and **FBC-6th Edition (2017)** and No financial interest, dated 07/12/17, issued by Al-Farooq Corporation, signed and sealed by Javad Ahmad, P.E.
2. Distributor Agreement signed by Carlos Garcia and by Evelyn Daes.
3. Laboratory compliance statement for Test Report No. **BT-ESW-17-009**, issued by Blackwater Testing, Inc., dated 06/15/17, signed and sealed by Dennis Duffy, CEO.
4. Proposal No. **16-1478** issued by the Product Control Section, dated 11/17/16, signed by Ishaq Chanda, P.E.

2. Evidence submitted under previous approval.

A. DRAWINGS

1. Drawing No. **20-12D Rev A** (former **W16-73 Rev A**), titled “ES-EL400 Alum. Sliding Glass Door (L.M.I.)”, sheets 1 through 23 of 23, prepared by Al-Farooq Corporation dated 09/11/20, signed and sealed by Jalal Farooq, P.E.

B. TESTS

1. Test reports on:
 - 1) Air Infiltration Test, per FBC, TAS 202-94
 - 2) Uniform Static Air Pressure Test, Loading per FBC, TAS 202-94
 - 3) Water Resistance Test, per FBC, TAS 202-94
 - 4) Forced Entry Test, per FBC, and TAS 202-94
 - 6) Large Missile Impact Test per FBC, TAS 201-94
 - 7) Cyclic Wind Pressure Loading per FBC, TAS 203-94
 - 8) ANSI-Z97.1

along with marked-up drawings and installation diagram of aluminum sliding glass doors, prepared by Blackwater Testing, Inc., Test Report No. **BT-ESW-19007**, dated 12/09/19, signed and sealed by Constantin Bortes, P.E.

C. CALCULATIONS

1. Anchor verification calculations and structural analysis dated 09/11/20, complying with **FBC-7th Edition (2020)**, prepared by Al-Farooq Corporation, signed and sealed by Jalal Farooq, P.E.
2. Glazing complies with **ASTM E1300-09** and **-016**.

D. QUALITY ASSURANCE

1. Miami-Dade Department of Regulatory and Economic Resources (RER)

E. MATERIAL CERTIFICATIONS

1. Notice of Acceptance No. **19-0305.02** issued to **Kuraray America, Inc.** for their “**Trosifol® Ultraclear, Clear and Color PVB Glass Interlayers**”, expiring on 07/08/24.

Ishaq I. Chanda

Ishaq I. Chanda, P.E.
Product Control Unit Supervisor
NOA No. 23-0714.12
Expiration Date: July 20, 2027
Approval Date: August 17, 2023

NOTICE OF ACCEPTANCE: EVIDENCE SUBMITTED

E. MATERIAL CERTIFICATIONS

2. Notice of Acceptance No. **17-0808.02** issued to **Kuraray America, Inc.** for their “**SentryGlas® (Clear and White) Glass Interlayers**”, expiring on 07/04/23.
3. Notice of Acceptance No. **15-1201.11** issued to **Eastman Chemical Co. (MA)** for their “**Saflex Clear and Color Glass Interlayers**”, expiring on 05/21/21.
4. Notice of Acceptance No. **18-0301.06** issued to **Eastman Chemical Co. (MA)** for their “**Saflex CP – Saflex and Saflex HP Composite Glass Interlayers with PET Core**”, expiring on 11/11/23.

F. STATEMENTS

1. Statement letter of conformance, complying with **FBC-7th Edition (2020)** and No financial interest, dated 09/11/20, issued by Al-Farooq Corporation, signed and sealed by Jalal Farooq, P.E.
2. Test Lab Compliance statement, as part of test report.

G. OTHER

1. This NOA **revises** NOA # **16-0617.02** and updates to FBC 2020 (7th Edition) expiring 07/20/22.
2. Distribution agreement between Energia Solar, S.A.-ES Windows and ES Windows, LLC, dtd 08/03/15, signed by Ms. Carla Garcia (MGR) and Andres Chamorro (Gen. MGR) respectively (original copy in various ES approved NOA(s) files.
3. RER Test proposals #**19-1155** dated 01/10/20 approved by Ishaq I. Chanda, P.E.

Ishaq I. Chanda, P.E.
Product Control Unit Supervisor
NOA No. 23-0714.12
Expiration Date: July 20, 2027
Approval Date: August 17, 2023

NOTICE OF ACCEPTANCE: EVIDENCE SUBMITTED

4. Evidence submitted under previous approval.
- A. **DRAWINGS**
 1. Drawing No. **20-12D Rev C**, titled “ES-EL400-10” Alum. Sliding Glass Door (L.M.I.)”, sheets 1 through 23 of 23, prepared by Al-Farooq Corporation dated 09/11/20 and last revised on AUG 16, 2021, signed and sealed by Jalal Farooq, P.E.
- B. **TESTS**
 1. **None.**
- C. **CALCULATIONS**
 1. Comparative structural section properties sill riser analysis, dated 07/07/21, prepared by Al-Farooq Corporation, signed and sealed by Jalal Farooq, P.E.
 2. Glazing complies with **ASTM E1300-09** and **-016**.
- D. **QUALITY ASSURANCE**
 1. Miami-Dade Department of Regulatory and Economic Resources (RER)
- E. **MATERIAL CERTIFICATIONS**
 1. Notice of Acceptance No. **21-0216.01** issued to **Eastman Chemical Company (MA)** (former Solutia, Inc.) for the “Saflex: Saflex Clear & Color glass interlayer”, expiring on 05/21/26.
- F. **STATEMENTS**
 1. Statement letter of conformance, complying with **FBC-7th Edition (2020)** and No financial interest, dated 07/07/21, issued by Al-Farooq Corporation, signed and sealed by Jalal Farooq, P.E.
 2. Test Lab Compliance statement, as part of test report.
- G. **OTHER**
 1. This NOA **revises NOA No. 20-0427.11** and updates to FBC 2020 (7th Edition) expiring 07/20/22.
 2. Distribution agreement between Energia Solar, S.A.-ES Windows and ES Windows, LLC, dtd 08/03/15, signed by Ms. Carla Garcia (MGR) and Andres Chamorro (Gen. MGR) respectively (original copy in various ES approved NOA(s) files.
 3. Comparative Sectional properties analysis of sill Risers.

Ishaq I. Chanda, P.E.
Product Control Unit Supervisor
NOA No. 23-0714.12
Expiration Date: July 20, 2027
Approval Date: August 17, 2023

ES Windows, LLC

NOTICE OF ACCEPTANCE: EVIDENCE SUBMITTED

5. Evidence submitted under previous approval.

A. DRAWINGS

1. Drawing No. **20-12D Rev C**, titled “ES-EL400-10” Alum. Sliding Glass Door (L.M.I.)”, sheets 1 through 23 of 23, prepared by Al-Farooq Corporation dated 09/11/20 and last revised on AUG 16, 2021, signed and sealed by Jalal Farooq, P.E.

B. TESTS

1. **None.**

C. CALCULATIONS

1. **None.**

D. QUALITY ASSURANCE

1. Miami-Dade Department of Regulatory and Economic Resources (RER)

E. MATERIAL CERTIFICATIONS

1. Notice of Acceptance No. **21-0216.01** issued to **Eastman Chemical Company (MA)** (former Solutia, Inc.) for the “Saflex: Saflex Clear & Color glass interlayer”, expiring on 05/21/26.

F. STATEMENTS

1. Statement letter of conformance, complying with **FBC-7th Edition (2020)** and No financial interest, dated 01/12/22, issued by Al-Farooq Corporation, signed and sealed by Jalal Farooq, P.E.

G. OTHER

1. This NOA **renews NOA No. 21-0728.05**, expiring 07/20/27.
2. Distribution agreement between Energia Solar, S.A.-ES Windows and ES Windows, LLC, dtd 08/03/15, signed by Ms. Carla Garcia (MGR) and Andres Chamorro (Gen. MGR) respectively (original copy in various ES approved NOA(s) files.
3. Comparative Sectional properties analysis of sill Risers (under previous approval)

Ishaq I. Chanda, P.E.
Product Control Unit Supervisor
NOA No. 23-0714.12
Expiration Date: July 20, 2027
Approval Date: August 17, 2023

ES Windows, LLC

NOTICE OF ACCEPTANCE: EVIDENCE SUBMITTED

6. New Evidence submitted.

A. DRAWINGS

1. Drawing No. **20-12D Rev D**, titled “ES-EL400-10” Alum. Sliding Glass Door (L.M.I.)”, sheets 1 through 23 of 23, prepared by Al-Farooq Corporation dated 09/11/20 and last revised on JUL 07, 2023, signed and sealed by Jalal Farooq, P.E.

B. TESTS

1. **None.**

C. CALCULATIONS

1. **None.**

D. QUALITY ASSURANCE

1. Miami-Dade Department of Regulatory and Economic Resources (RER)

E. MATERIAL CERTIFICATIONS

1. Notice of Acceptance No. **22-1130.05** issued to **Eastman Chemical Company (MA)** (former Solutia, Inc.) for the “Saflex Storm: Saflex & Saflex HP composite glass interlayer w/PETcore”, expiring on 12/11/28.

F. STATEMENTS

1. Statement letter of conformance, complying with **FBC 8th Edition (2023)**, dated 07/11/23, prepared by Al-Farooq Corporation, signed and sealed by Jalal Farooq, P.E.
2. Statement letter of conformance, complying with **FBC-7th Edition (2020)** and No financial interest, dated 01/12/22, issued by Al-Farooq Corporation, signed and sealed by Jalal Farooq, P.E.

G. OTHER

1. This NOA **revises NOA No. 21-0118.05**, expiring 07/20/27.
2. Distribution agreement between Energia Solar, S.A.-ES Windows and ES Windows, LLC, dtd 08/03/15, signed by Ms. Carla Garcia (MGR) and Andres Chamorro (Gen. MGR) respectively (original copy in various ES approved NOA(s) files.
3. Comparative Sectional properties analysis of sill Risers (under previous approval).
4. Saflex Storm PET Interlayer updated with current NOA designation.

Ishaq I. Chanda, P.E.
Product Control Unit Supervisor
NOA No. 23-0714.12
Expiration Date: July 20, 2027
Approval Date: August 17, 2023

PRODUCT REVISED
as complying with the Florida
Building Code

NOA-No. 23-0714.12

Expiration Date 07/20/2027

By Ishag I. Chande
Miami-Dade Product Control

DAYLITE OPENING WIDTH:
PANEL WIDTH - 5.688"

DAYLITE OPENING HEIGHT:
PANEL HEIGHT - 5.813"

PANEL HEIGHT = DOOR FRAME HEIGHT - 1.250"

THESE DOORS ARE RATED FOR LARGE & SMALL MISSILE IMPACT.
SHUTTERS ARE NOT REQUIRED.

PRODUCT COMPLIES WITH REQUIREMENTS OF ANSI Z97.1.
SAFEGUARD REQUIREMENTS TO BE VERIFIED.

SERIES ES-EL400-10
ALUMINUM SLIDING GLASS DOOR

THIS PRODUCT HAS BEEN DESIGNED AND TESTED TO COMPLY WITH THE REQUIREMENTS OF THE 2020 (7TH EDITION)/2023 (8TH EDITION) FLORIDA BUILDING CODE INCLUDING HIGH VELOCITY HURRICANE ZONE (HVHZ).

1BY OR 2BY WOOD BUCKS & BUCK FASTENERS BY OTHERS, MUST BE DESIGNED AND INSTALLED ADEQUATELY TO TRANSFER APPLIED PRODUCT LOADS TO THE BUILDING STRUCTURE.

ANCHORS SHALL BE CORROSION RESISTANT, SPACED AS SHOWN ON DETAILS AND INSTALLED PER MANUF'S INSTRUCTIONS. SPECIFIED EMBEDMENT TO BASE MATERIAL SHALL BE BEYOND WALL DRESSING OR STUCCO.

A LOAD DURATION INCREASE IS USED IN DESIGN OF ANCHORS INTO WOOD ONLY.

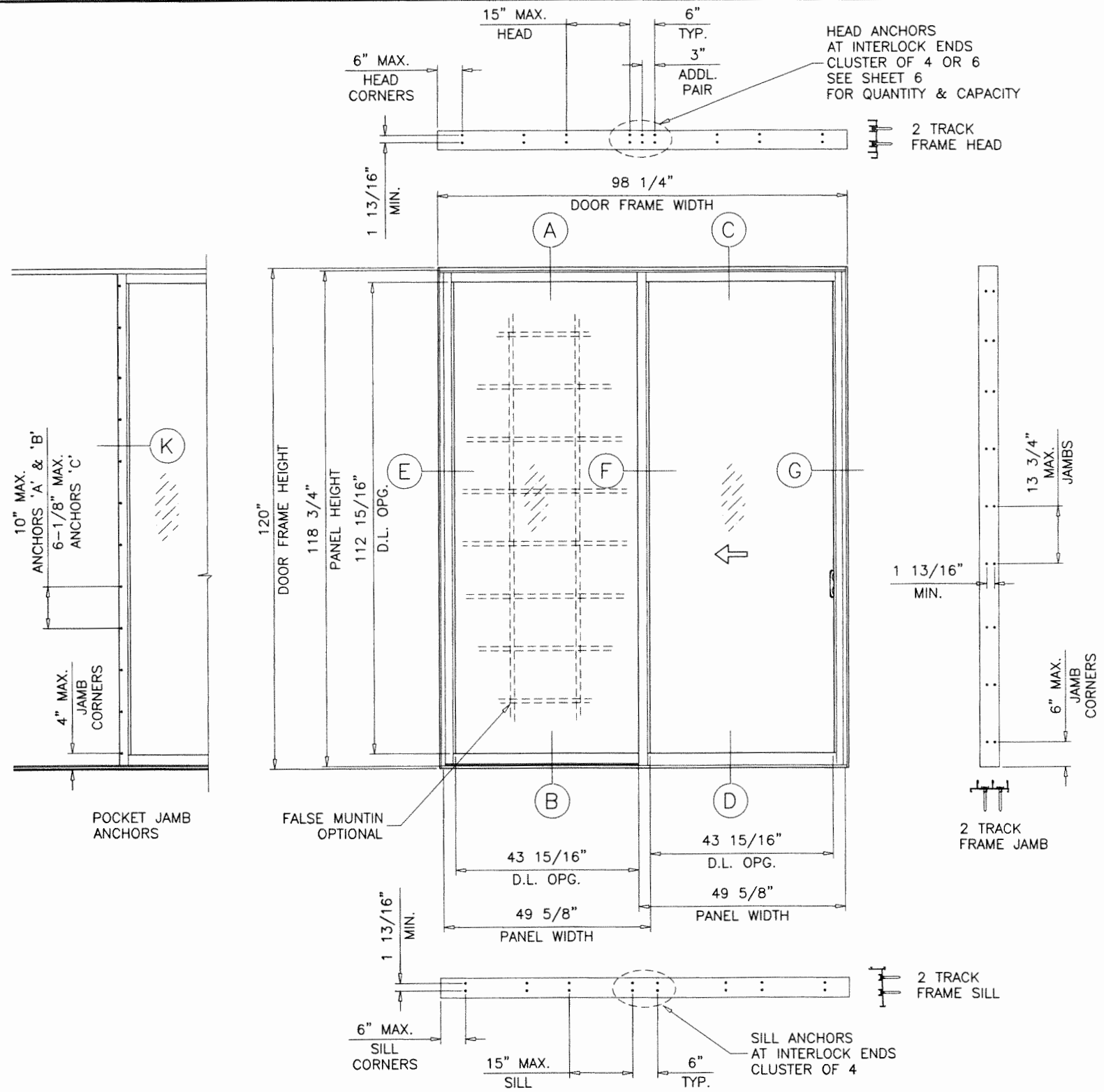
ALL SHIMS TO BE HIGH IMPACT, NON-METALLIC AND NON-COMPRESSIBLE.

MATERIALS INCLUDING BUT NOT LIMITED TO STEEL/METAL SCREWS, THAT COME INTO CONTACT WITH OTHER DISSIMILAR MATERIALS SHALL MEET THE REQUIREMENTS OF THE 2020/2023 FLORIDA BLDG. CODE & ADOPTED STANDARDS.

THIS PRODUCT APPROVAL IS GENERIC AND DOES NOT PROVIDE INFORMATION FOR A SITE SPECIFIC PROJECT, i.e. LIFE SAFETY OF THIS PRODUCT, ADEQUACY OF STRUCTURE RECEIVING THIS PRODUCT AND SEALING AROUND OPENING FOR WATER INFILTRATION RESISTANCE ETC.

CONDITIONS NOT SHOWN IN THIS DRAWING ARE TO BE ANALYZED SEPARATELY, AND TO BE REVIEWED BY BUILDING OFFICIAL.

DESIGN LOADS SHOWN ARE BASED ON 'ALLOWABLE STRESS DESIGN (ASD)'.



TYPICAL ELEVATION

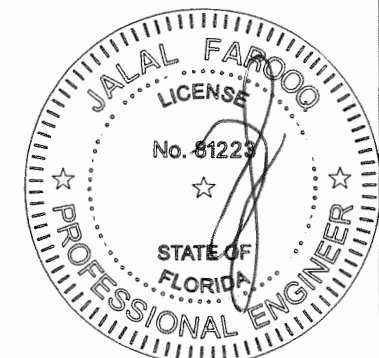
OX

INSTRUCTIONS:

USE CHARTS AS FOLLOWS

- STEP 1** DETERMINE DESIGN WIND LOAD REQUIREMENT BASED ON WIND VELOCITY, BLDG. HEIGHT, WIND ZONE USING APPLICABLE ASCE 7 STANDARD.
- STEP 2** DETERMINE DOOR CAPACITY FROM TABLE ON SHEET 5 FOR THE REINFORCING OPTION USED.
- STEP 3** USING CHARTS ON SHEET 6 SELECT ANCHOR OPTION WITH DESIGN RATING MORE THAN DESIGN LOAD SPECIFIED IN STEP 1 ABOVE.
- STEP 5** THE LOWEST VALUE RESULTING FROM STEPS 2 AND 3 SHALL APPLY TO ENTIRE SYSTEM.

JUL 07 2023



AL-FAROOQ CORPORATION
ENGINEERS & PRODUCT DEVELOPMENT
9360 SUNSET DRIVE, SUITE 220
MIAMI, FLORIDA 33173
TEL. (305) 264-8100 FAX. (305) 262-6978
COMP-ANL 20-12D-ES

ES-EL400-10 ALUM SLIDING GLASS DOOR (L.M.I.)

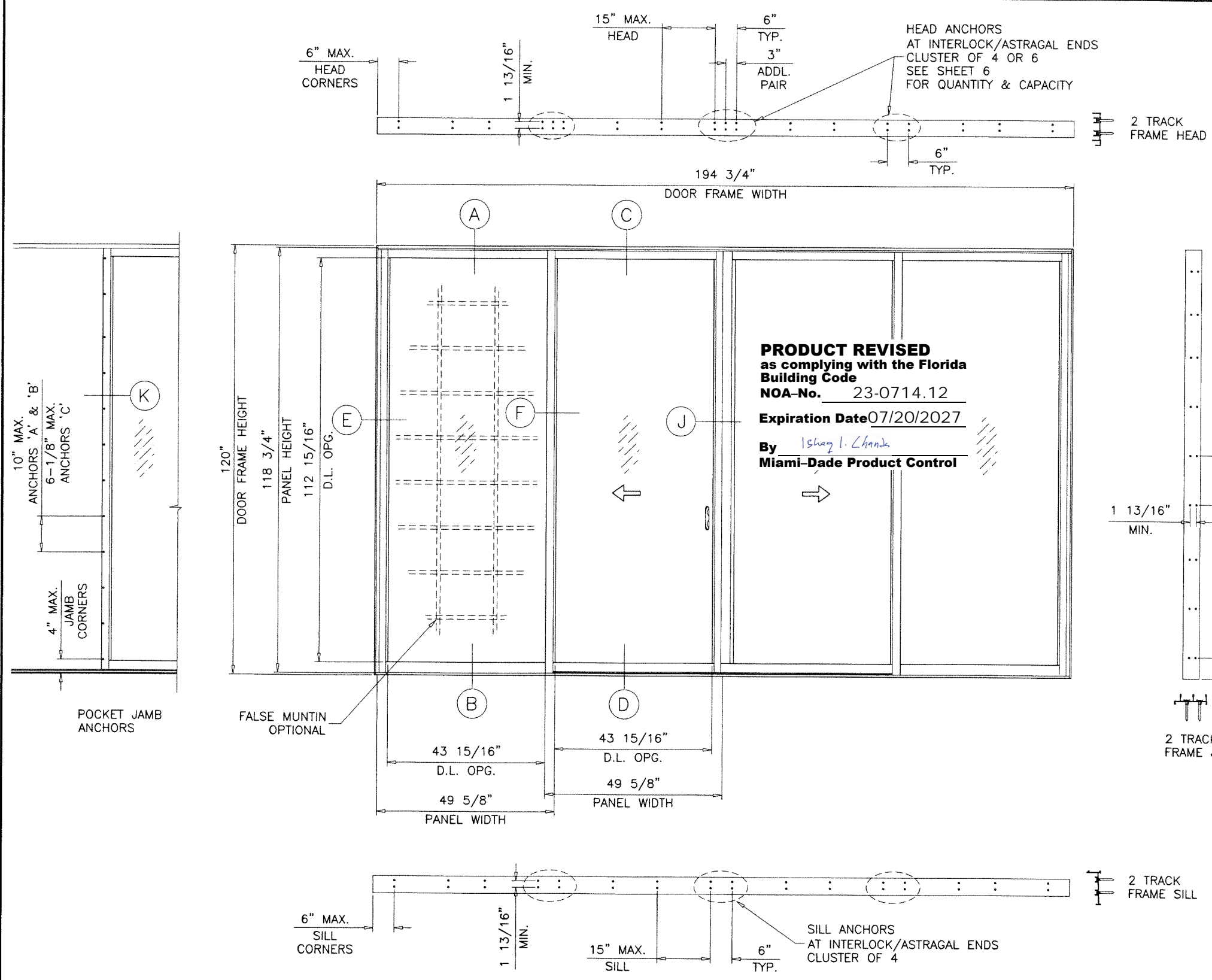
E.S. WINDOWS, LLC
3550 N.W. 49 STREET
MIAMI, FL. 33142
TEL. (305) 638-5151 FAX. (305) 638-5158

no	date	description
A	09.02.20	REV. PER PER COMMENTS
B	06.23.21	SILL RISER REVISED
C	08.04.21	SILL RISER OPTIONS ADDED
D	07.06.23	UPDATED TO 2023 FBC

date: 02-14-20
scale: 3/8"=1'-0"
dr. by: TARIQ
chk. by:

drawing no.
20-12D

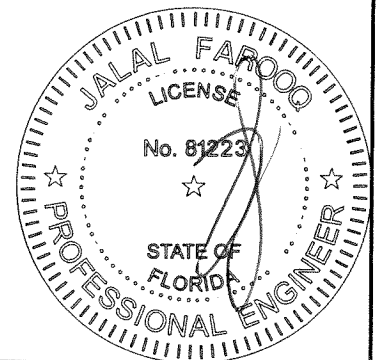
sheet 1 of 23



PRODUCT REVISED
 as complying with the Florida
 Building Code
 NOA-No. 23-0714.12
 Expiration Date 07/20/2027
 By *Ishay L. Chank*
 Miami-Dade Product Control

TYPICAL ELEVATION
 OX-XO

JUL 07 2023



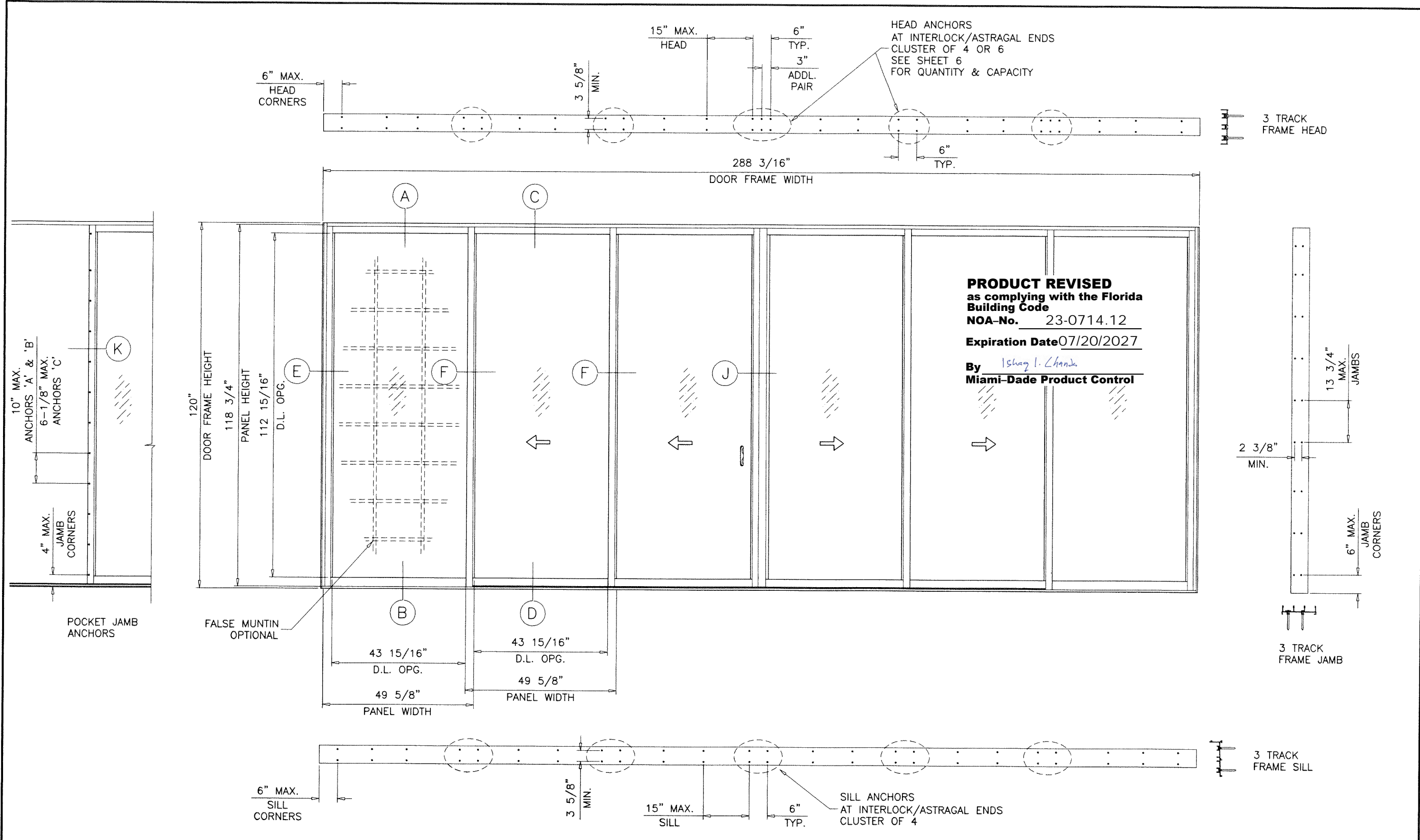
af c
AL-FAROOQ CORPORATION
 ENGINEERS & PRODUCT DEVELOPMENT
 9360 SUNSET DRIVE, SUITE 220
 MIAMI, FLORIDA 33173 (C.A.N. 3538)
 TEL. (305) 264-8100 FAX. (305) 262-6978
 COMP-ANL\20-12D-ES

ES-EL400-10 ALUM SLIDING GLASS DOOR (L.M.I.)
E.S. WINDOWS, LLC
 3550 N.W. 49 STREET
 MIAMI, FL. 33142
 TEL. (305) 638-5151 FAX. (305) 638-5158

no	date	by	description
A	09.02.20		NO CHANGE THIS SHEET
B	06.23.21		NO CHANGE THIS SHEET
C	08.04.21		NO CHANGE THIS SHEET
D	07.06.23		NO CHANGE THIS SHEET

date: 02-14-20
 scale: 3/8" = 1'-0"
 dr. by: TARIQ
 chk. by:

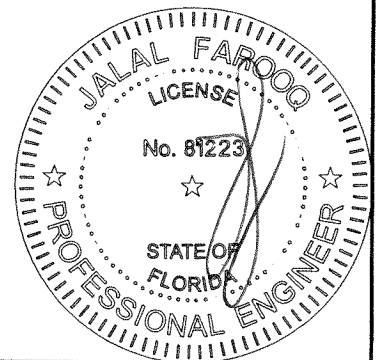
drawing no.
20-12D
 sheet 2 of 23



PRODUCT REVISED
 as complying with the Florida
 Building Code
 NOA-No. 23-0714.12
 Expiration Date 07/20/2027
 By *Ishag I. Chande*
 Miami-Dade Product Control

TYPICAL ELEVATION
 OXX-XXO

JUL 07 2023



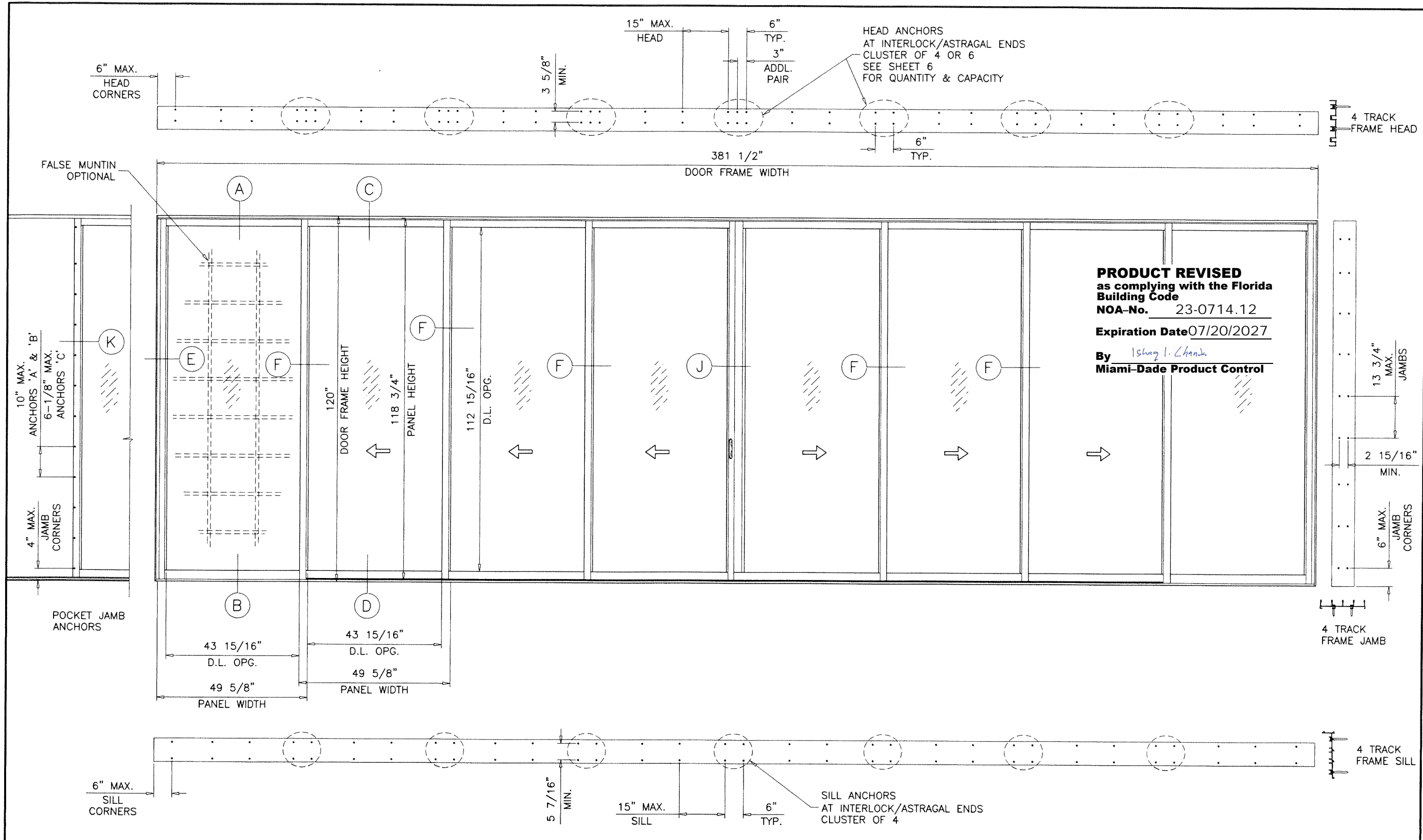
af c
AL-FAROOQ CORPORATION
 ENGINEERS & PRODUCT DEVELOPMENT
 9360 SUNSET DRIVE, SUITE 220
 MIAMI, FLORIDA 33173 (C.A.N. 3538)
 TEL. (305) 264-8100 FAX. (305) 262-6978
 COMP-ANL\20-12D-ES

ES-EL400-10 ALUM SLIDING GLASS DOOR (L.M.I.)
E.S. WINDOWS, LLC
 3550 N.W. 49 STREET
 MIAMI, FL. 33142
 TEL. (305) 638-5151 FAX. (305) 638-5158

no	date	description	by
A	09.02.20	NO CHANGE THIS SHEET	
B	06.23.21	NO CHANGE THIS SHEET	
C	08.04.21	NO CHANGE THIS SHEET	
D	07.06.23	NO CHANGE THIS SHEET	

date: 02-14-20
 scale: 3/8" = 1'-0"
 dr. by: TARIQ
 chk. by:

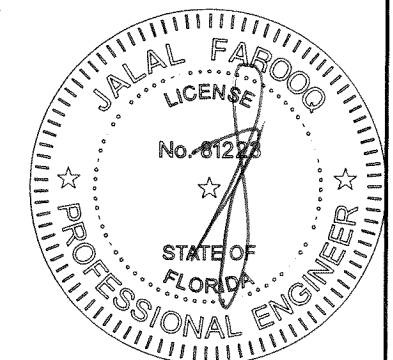
drawing no.
20-12D
 sheet 3 of 23



PRODUCT REVISED
 as complying with the Florida Building Code
 NOA-No. 23-0714.12
 Expiration Date 07/20/2027
 By *Ishaq I. Zhanik*
 Miami-Dade Product Control

TYPICAL ELEVATION
 OXXX-XXXO

JUL 07 2023



af c
AL-FAROOQ CORPORATION
 ENGINEERS & PRODUCT DEVELOPMENT
 9360 SUNSET DRIVE, SUITE 220
 MIAMI, FLORIDA 33173 (C.A.N. 3538)
 TEL. (305) 264-8100 FAX. (305) 262-6978
 COMP-ANL\20-12D-ES

ES-EL400-10 ALUM SLIDING GLASS DOOR (L.M.I.)
E.S. WINDOWS, LLC
 3550 N.W. 49 STREET
 MIAMI, FL. 33142
 TEL. (305) 638-5151 FAX. (305) 638-5158

no	date	description	by
A	09.02.20	NO CHANGE THIS SHEET	
B	06.23.21	NO CHANGE THIS SHEET	
C	08.04.21	NO CHANGE THIS SHEET	
D	07.06.23	NO CHANGE THIS SHEET	

revisions:

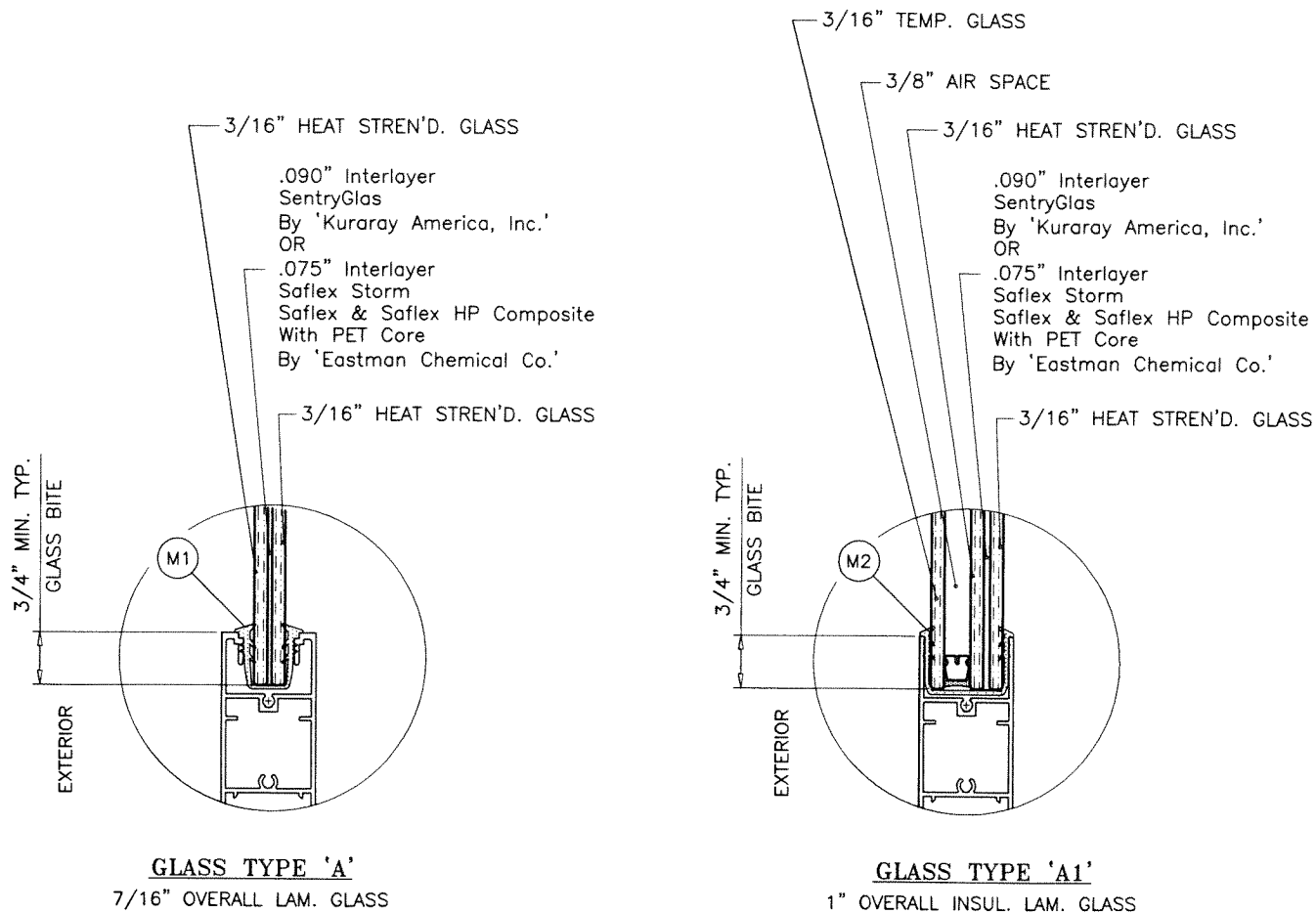
date: 02-14-20
 scale: 3/8"=1'-0"
 dr. by: TARIQ
 chk. by:

drawing no.
20-12D

sheet 4 of 23

DESIGN LOAD CAPACITY - PSF				
AVERAGE PANEL WIDTH INCHES	DOOR FRAME HEIGHT INCHES	GLASS TYPES 'A' & 'A1'		
		EXT.(+)	INT.(-)	
30	82	65.0	65.0	
36		65.0	65.0	
42		65.0	65.0	
48		65.0	65.0	
54		65.0	65.0	
60	84	65.0	65.0	
30		65.0	65.0	
36		65.0	65.0	
42		65.0	65.0	
48		65.0	65.0	
54	90	65.0	65.0	
60		65.0	65.0	
30		65.0	65.0	
36		65.0	65.0	
42		65.0	65.0	
48	96	65.0	65.0	
54		65.0	65.0	
60		65.0	65.0	
30		65.0	65.0	
36		65.0	65.0	
42	102	65.0	65.0	
48		65.0	65.0	
54		57.8	57.8	
30		108	65.0	65.0
36			65.0	65.0
42	65.0		65.0	
48	65.0		65.0	
30	114		65.0	65.0
36		65.0	65.0	
42		65.0	65.0	
48		65.0	65.0	
30		120	65.0	65.0
36	65.0		65.0	
42	65.0		65.0	
48	65.0		65.0	

PRODUCT REVISED
as complying with the Florida
Building Code
NOA-No. 23-0714.12
Expiration Date 07/20/2027
By Ishag I. Chanda
Miami-Dade Product Control



GLAZING OPTIONS

3/8" AIR SPACE CONSISTING OF:
SPACER:
'HELIMA' LOW PROFILE ALUMINUM SPACER
BY 'LINGERMANN GMBH'
AROUND THE PERIMETER OF THE GLASS.
PERIMETER SEALANT:
SILICONE
DOWSIL 791
GE 2000

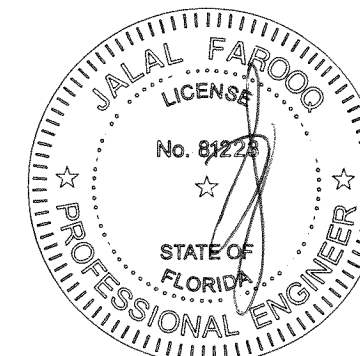
AVERAGE PANEL WIDTH = $\frac{\text{DOOR FRAME WIDTH}}{\text{NUMBER OF PANELS}}$

DOOR HEIGHT AND WIDTH SIZE MUST COMPLY WITH EGRESS REQUIREMENTS PER FBC AS REQUIRED.

NOTE:
GLASS CAPACITIES ON THIS SHEET ARE
BASED ON ASTM E1300-09 (3 SEC. GUSTS)
AND FLORIDA BUILDING COMMISSION
DECLARATORY STATEMENT DCA05-DEC-219

SEE CHART ABOVE FOR DESIGN LOAD CAPACITY OF
DESIRED GLASS SIZE.
SEE CHART ON SHEET 6 FOR HEAD ANCHOR CAPACITY.
LOWER DESIGN PRESSURES FROM DESIGN LOAD CHART
OR HEAD ANCHOR CHART WILL APPLY TO ENTIRE SYSTEM.

JUL 07 2023



af c
AL-FAROOQ CORPORATION
ENGINEERS & PRODUCT DEVELOPMENT
9360 SUNSET DRIVE, SUITE 220
MIAMI, FLORIDA 33173 (C.A.N. 3538)
TEL. (305) 264-8100 FAX. (305) 262-6978

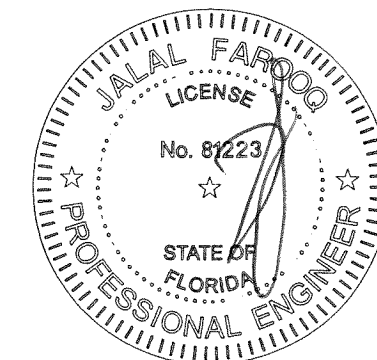
ES-EL400-10 ALUM SLIDING GLASS DOOR (L.M.I.)
E.S. WINDOWS, LLC
3550 N.W. 49 STREET
MIAMI, FL. 33142
TEL. (305) 638-5151 FAX. (305) 638-5158

revisions:	no	date	description
	A	09.02.20	NO CHANGE THIS SHEET
	B	06.23.21	NO CHANGE THIS SHEET
	C	08.04.21	NO CHANGE THIS SHEET
	D	07.06.23	UPDATED TO 2023 FBC
date:	02-14-20	scale:	3/8" = 1"
dr. by:	TARIQ	chk. by:	
drawing no.	20-12D		
sheet	5 of 23		

COMP-ANL 20-12D-ES

HEAD ANCHOR LOAD CAPACITY - PSF										
AVERAGE PANEL WIDTH INCHES	DOOR FRAME HEIGHT INCHES	ANCHOR TYPES 'A' & 'B'						ANCHOR TYPE 'C'		
		1/4" MAX. SHIM		3/8" MAX. SHIM		1/2" MAX. SHIM		1/4" MAX. SHIM	3/8" MAX. SHIM	
		4 ANCHORS AT MTG. STILE ENDS	6 ANCHORS AT MTG. STILE ENDS	4 ANCHORS AT MTG. STILE ENDS	6 ANCHORS AT MTG. STILE ENDS	4 ANCHORS AT MTG. STILE ENDS	6 ANCHORS AT MTG. STILE ENDS	4 ANCHORS AT MTG. STILE ENDS	4 ANCHORS AT MTG. STILE ENDS	6 ANCHORS AT MTG. STILE ENDS
		EXT. (+) INT. (-)	EXT. (+) INT. (-)	EXT. (+) INT. (-)	EXT. (+) INT. (-)	EXT. (+) INT. (-)	EXT. (+) INT. (-)	EXT. (+) INT. (-)	EXT. (+) INT. (-)	EXT. (+) INT. (-)
30	82	65.0	65.0	65.0	65.0	65.0	65.0	65.0	65.0	65.0
36		65.0	65.0	65.0	65.0	65.0	65.0	65.0	65.0	65.0
42		65.0	65.0	65.0	65.0	65.0	65.0	65.0	65.0	65.0
48		65.0	65.0	65.0	65.0	62.6	65.0	65.0	65.0	65.0
54		65.0	65.0	65.0	65.0	55.6	65.0	65.0	65.0	65.0
60		65.0	65.0	64.4	65.0	50.1	65.0	65.0	64.7	65.0
30	84	65.0	65.0	65.0	65.0	65.0	65.0	65.0	65.0	65.0
36		65.0	65.0	65.0	65.0	65.0	65.0	65.0	65.0	65.0
42		65.0	65.0	65.0	65.0	65.0	65.0	65.0	65.0	65.0
48		65.0	65.0	65.0	65.0	61.1	65.0	65.0	65.0	65.0
54		65.0	65.0	65.0	65.0	54.3	65.0	65.0	65.0	65.0
60		65.0	65.0	62.9	65.0	48.9	65.0	65.0	63.1	65.0
30	90	65.0	65.0	65.0	65.0	65.0	65.0	65.0	65.0	65.0
36		65.0	65.0	65.0	65.0	65.0	65.0	65.0	65.0	65.0
42		65.0	65.0	65.0	65.0	65.0	65.0	65.0	65.0	65.0
48		65.0	65.0	65.0	65.0	57.0	65.0	65.0	65.0	65.0
54		65.0	65.0	65.0	65.0	50.7	65.0	65.0	65.0	65.0
60		65.0	65.0	58.7	65.0	45.6	60.8	65.0	58.9	65.0
30	96	65.0	65.0	65.0	65.0	65.0	65.0	65.0	65.0	65.0
36		65.0	65.0	65.0	65.0	65.0	65.0	65.0	65.0	65.0
42		65.0	65.0	65.0	65.0	61.1	65.0	65.0	65.0	65.0
48		65.0	65.0	65.0	65.0	53.5	65.0	65.0	65.0	65.0
54		65.0	65.0	61.1	65.0	47.5	63.4	65.0	61.4	65.0
60		62.1	65.0	55.0	65.0	42.8	57.0	65.0	55.2	65.0
30	102	65.0	65.0	65.0	65.0	65.0	65.0	65.0	65.0	65.0
36		65.0	65.0	65.0	65.0	65.0	65.0	65.0	65.0	65.0
42		65.0	65.0	65.0	65.0	57.5	65.0	65.0	65.0	65.0
48		65.0	65.0	64.7	65.0	50.3	65.0	65.0	65.0	65.0
54		64.9	65.0	57.5	65.0	44.7	59.6	65.0	57.8	65.0
60		65.0	65.0	65.0	65.0	65.0	65.0	65.0	65.0	65.0
30	108	65.0	65.0	65.0	65.0	65.0	65.0	65.0	65.0	65.0
36		65.0	65.0	65.0	65.0	63.4	65.0	65.0	65.0	65.0
42		65.0	65.0	65.0	65.0	54.3	65.0	65.0	65.0	65.0
48		65.0	65.0	61.1	65.0	47.5	63.4	65.0	61.4	65.0
60		65.0	65.0	65.0	65.0	65.0	65.0	65.0	65.0	65.0
30		114	65.0	65.0	65.0	65.0	65.0	65.0	65.0	65.0
36	65.0		65.0	65.0	65.0	60.0	65.0	65.0	65.0	65.0
42	65.0		65.0	65.0	65.0	51.5	65.0	65.0	65.0	65.0
48	65.0		65.0	57.9	65.0	45.0	60.0	65.0	58.1	65.0
60	65.0		65.0	65.0	65.0	65.0	65.0	65.0	65.0	65.0
30	120		65.0	65.0	65.0	65.0	65.0	65.0	65.0	65.0
36		65.0	65.0	65.0	65.0	57.0	65.0	65.0	65.0	65.0
42		65.0	65.0	62.9	65.0	48.9	65.0	65.0	63.1	65.0
48		62.1	65.0	55.0	65.0	42.8	57.0	65.0	55.2	65.0

PRODUCT REVISED
as complying with the Florida
Building Code
NOA-No. 23-0714.12
Expiration Date 07/20/2027
By Ishaq I. Chande
Miami-Dade Product Control



SEE CHART ON SHEET 5 FOR DESIGN LOAD CAPACITY OF DESIRED GLASS SIZE.
SEE CHART ABOVE FOR HEAD ANCHOR CAPACITY.
LOWER DESIGN PRESSURES FROM DESIGN LOAD CHART OR HEAD ANCHOR CHART WILL APPLY TO ENTIRE SYSTEM.

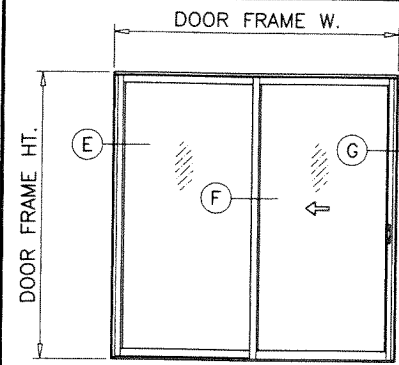
JUL 07 2023

afC
AL-FAROOQ CORPORATION
ENGINEERS & PRODUCT DEVELOPMENT
9360 SUNSET DRIVE, SUITE 220
MIAMI, FLORIDA 33173 (C.A.N. 3538)
TEL. (305) 262-6978 FAX. (305) 264-8100

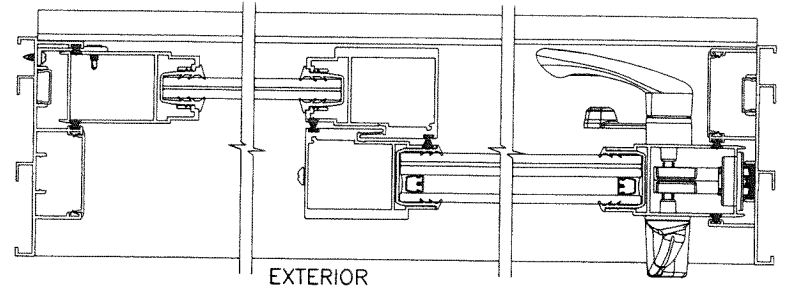
ES-EL400-10 ALUM SLIDING GLASS DOOR (L.M.I.)
E.S. WINDOWS, LLC
3550 N.W. 49 STREET
MIAMI, FL. 33142
TEL. (305) 638-5151 FAX. (305) 638-5158

revisions:	no	date	description
	A	09.02.20	REV. PER PER COMMENTS
	B	06.23.21	NO CHANGE THIS SHEET
	C	08.04.21	NO CHANGE THIS SHEET
	D	07.06.23	NO CHANGE THIS SHEET
date:	02-14-20	scale:	-
dr. by:	TARIO	chk. by:	
drawing no.	20-12D	sheet	6 of 23

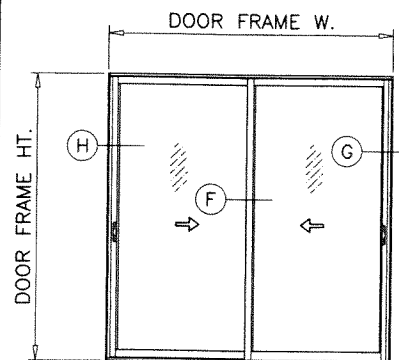
COMP-ANL 20-12D-ES



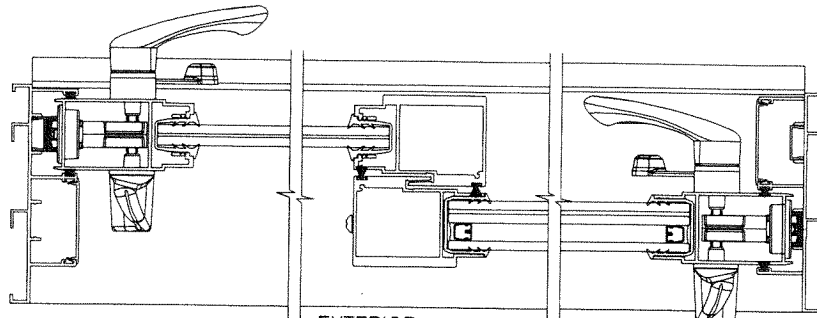
OX (SHOWN)
XO



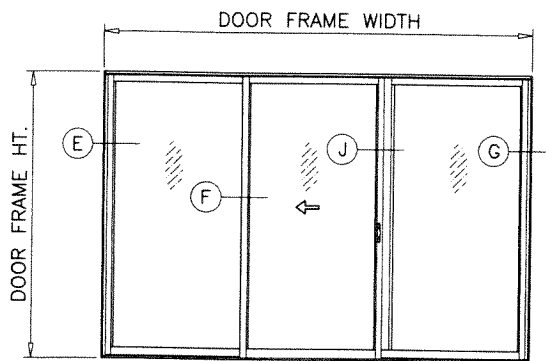
EXTERIOR



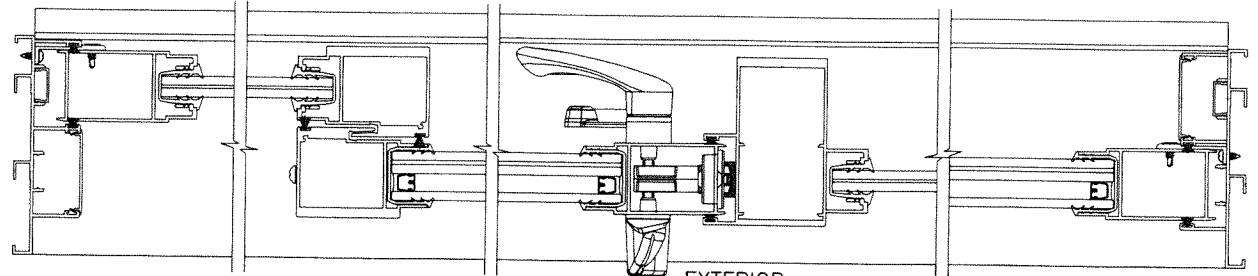
XX (SHOWN)



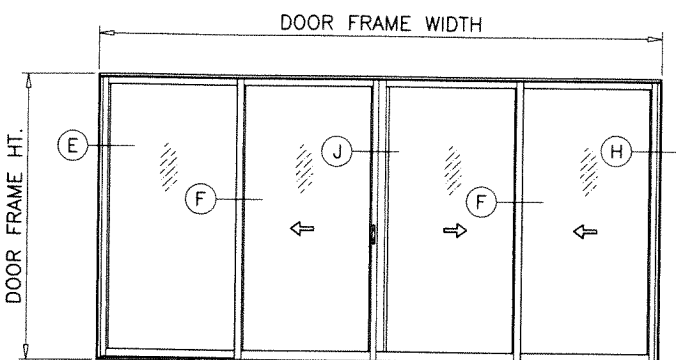
EXTERIOR



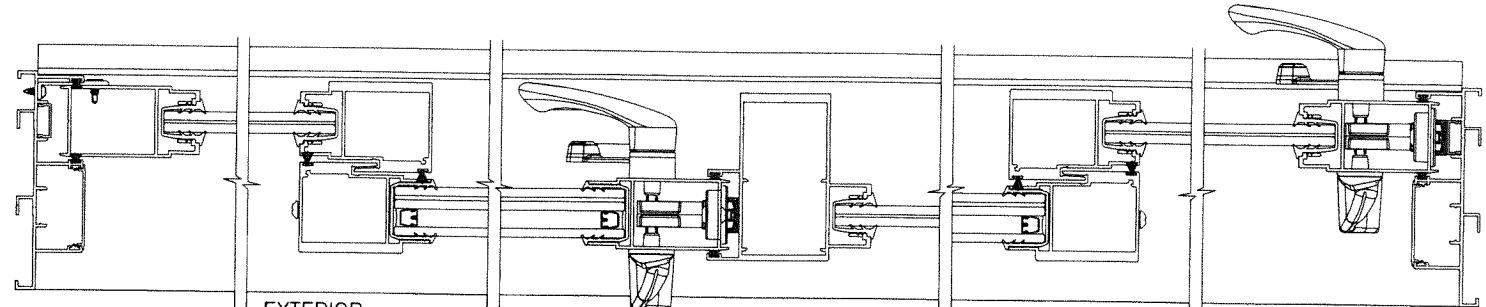
OX-O (SHOWN)
O-XO



EXTERIOR



OX-XX (SHOWN)
XX-XO
OX-XO
XX-XX



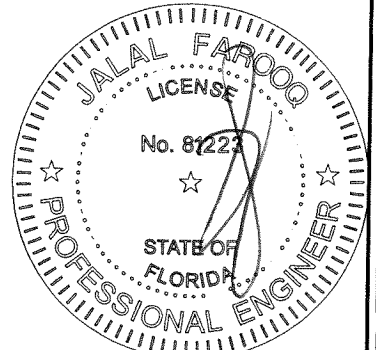
EXTERIOR

- NOTE:
1. CONFIGURATIONS SHOWN FOR ILLUSTRATION PURPOSES ONLY.
 2. FOR APPLICABLE DESIGN PRESSURES SEE SHEET 5.
 3. FOR ANCHOR DETAILS SEE SHEETS 14 THRU 19.
 4. FOR ALTERNATE SIZE UNITS MAX. OVERALL FRAME AREA OF 2 TRACK FRAMES NOT TO EXCEED 243.4 SQ. FT. PER FBC. PANELS WIDTH AND HEIGHT NOT TO EXCEED SIZES SHOWN IN CHART ON SHEET 5.

PRODUCT REVISED
as complying with the Florida
Building Code
NOA-No. 23-0714.12
Expiration Date 07/20/2027
By Ishag I. Chande
Miami-Dade Product Control

APPROVED CONFIGURATIONS
NON-POCKETED DOORS
TWO (2) TRACKS

JUL 07 2023



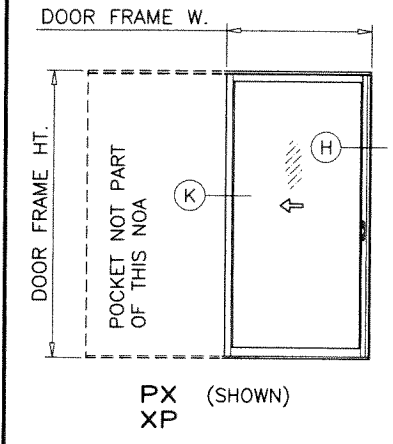
af c
AL-FAROOQ CORPORATION
ENGINEERS & PRODUCT DEVELOPMENT
9360 SUNSET DRIVE, SUITE 220
MIAMI, FLORIDA 33173 (C.A.N. 3538)
TEL. (305) 264-8100 FAX. (305) 262-6978
COMP-ANL\20-12D-ES

ES-EL400-10 ALUM SLIDING GLASS DOOR (L.M.I.)
E.S. WINDOWS, LLC
3550 N.W. 49 STREET
MIAMI, FL. 33142
TEL. (305) 638-5151 FAX. (305) 638-5158

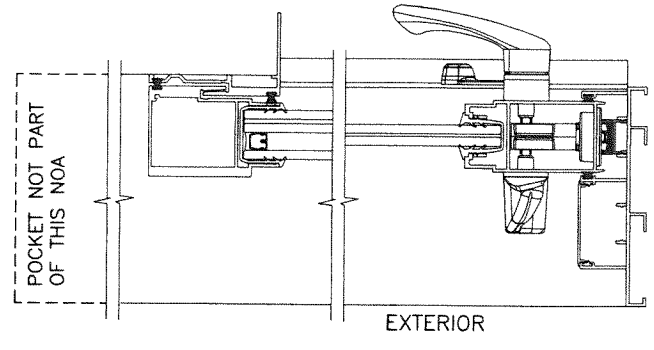
revisions:			
no.	date	description	by
A	09.02.20	REV. PER RER COMMENTS	
B	06.23.21	NO CHANGE THIS SHEET	
C	08.04.21	NO CHANGE THIS SHEET	
D	07.06.23	NO CHANGE THIS SHEET	

date:	02-14-20
scale:	-
dr. by:	TARIQ
chk. by:	

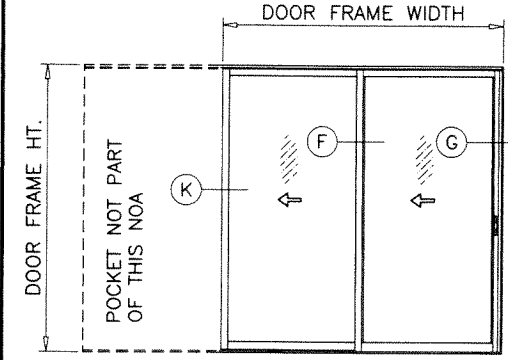
drawing no.	20-12D
sheet	7 of 23



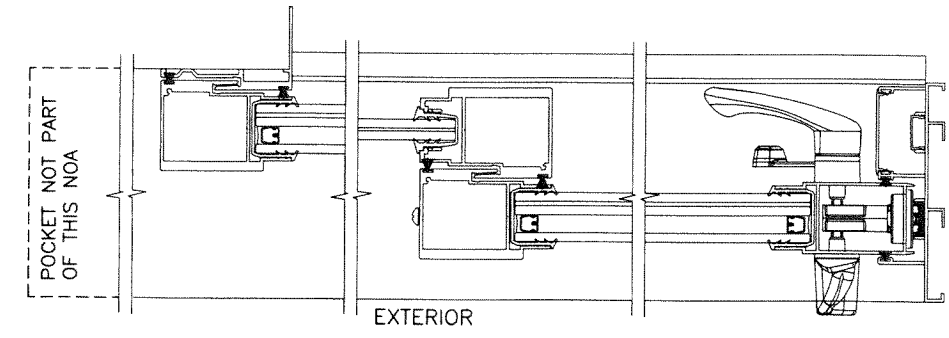
PX (SHOWN)
XP



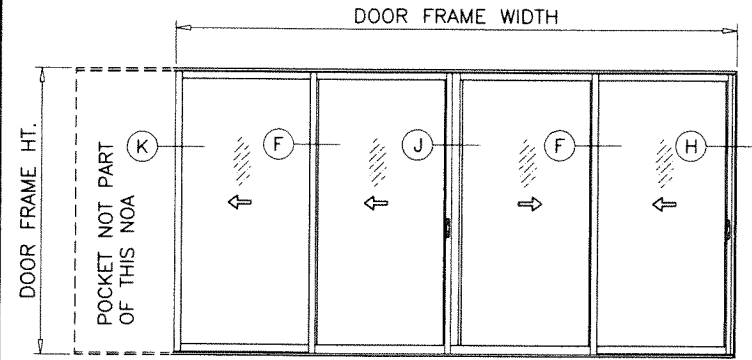
EXTERIOR



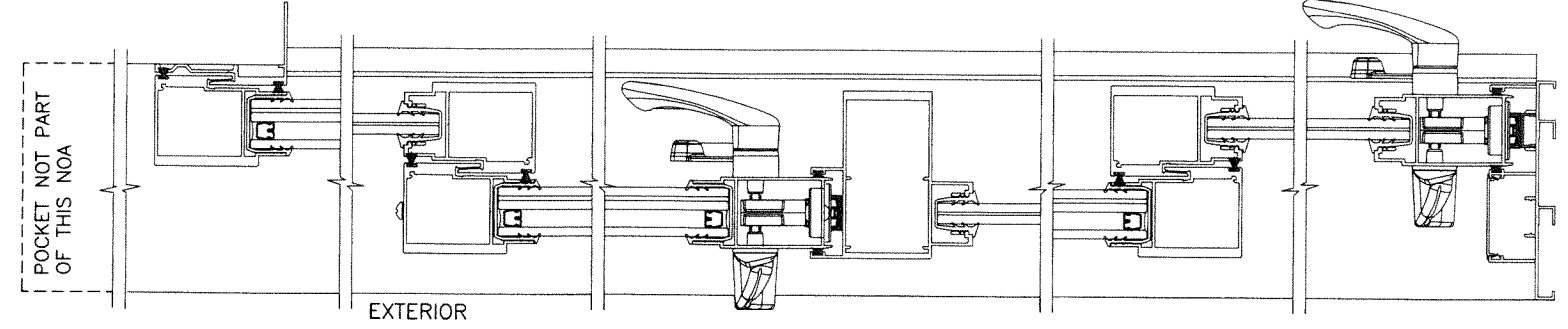
PXX (SHOWN)
XXP



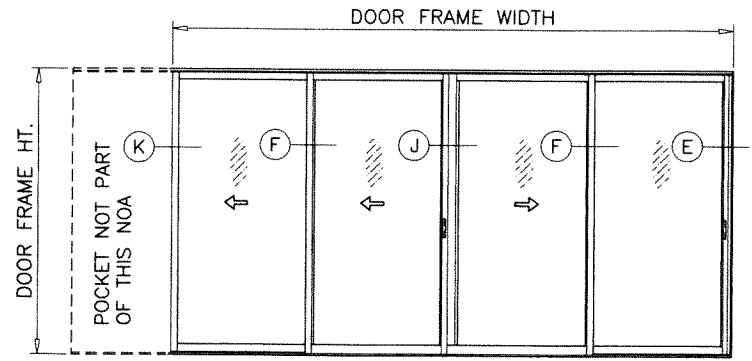
EXTERIOR



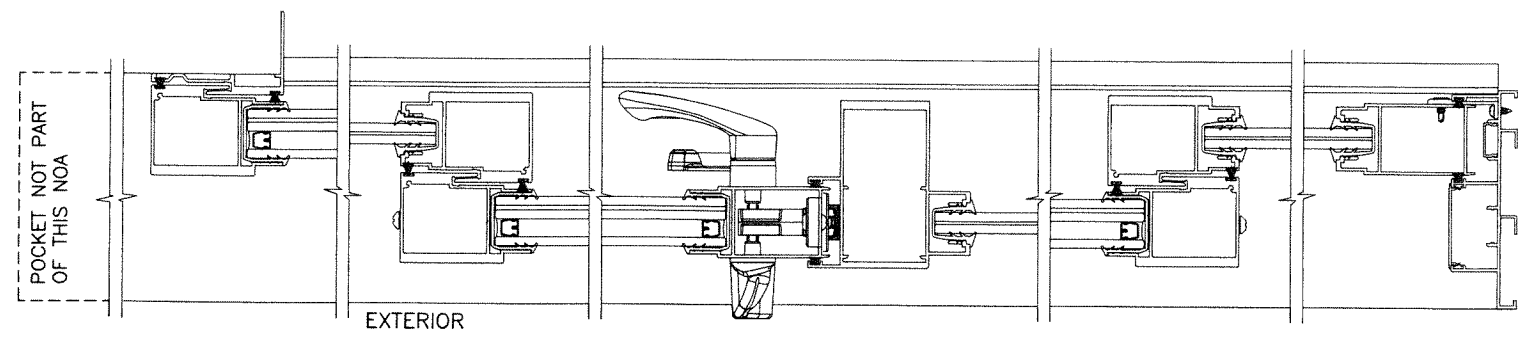
PXX-XX (SHOWN)
XX-XXP



EXTERIOR



PXX-XO (SHOWN)
OX-XXP



EXTERIOR

- NOTE:
1. CONFIGURATIONS SHOWN FOR ILLUSTRATION PURPOSES ONLY.
 2. FOR APPLICABLE DESIGN PRESSURES SEE SHEET 5.
 3. FOR ANCHOR DETAILS SEE SHEETS 14 THRU 19.
 4. FOR ALTERNATE SIZE UNITS MAX. OVERALL FRAME AREA OF 2 TRACK FRAMES NOT TO EXCEED 243.4 SQ. FT. PER FBC. PANELS WIDTH AND HEIGHT NOT TO EXCEED SIZES SHOWN IN CHART ON SHEET 5.
 5. POCKETS NOT PART OF THIS APPROVAL. POCKET AREA IS NOT INCLUSIVE AS FRAME AREA.

PRODUCT REVISED
as complying with the Florida
Building Code
NOA-No. 23-0714.12
Expiration Date 07/20/2027
By Ishag I. Chank
Miami-Dade Product Control

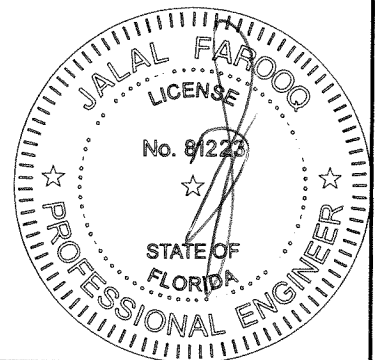
af c
AL-FAROOQ CORPORATION
ENGINEERS & PRODUCT DEVELOPMENT
9360 SUNSET DRIVE, SUITE 220
MIAMI, FLORIDA 33173 (C.A.N. 3538)
TEL. (305) 264-8100 FAX. (305) 262-6978

ES-EL400-10 ALUM SLIDING GLASS DOOR (L.M.I.)
E.S. WINDOWS, LLC
3550 N.W. 49 STREET
MIAMI, FL. 33142
TEL. (305) 638-5151 FAX. (305) 638-5158

revisions:

no	date	by	description
A	09.02.20	REV. PER	COMMENTS
B	06.23.21	NO CHANGE	THIS SHEET
C	08.04.21	NO CHANGE	THIS SHEET
D	07.06.23	NO CHANGE	THIS SHEET

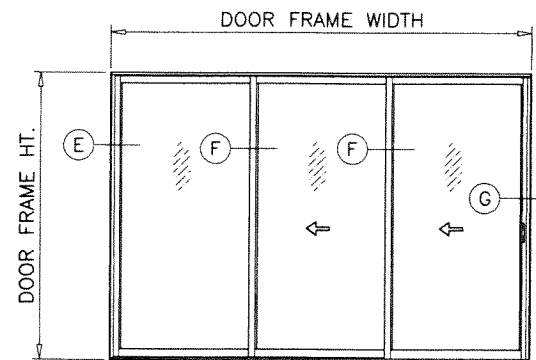
date: 02-14-20
scale: -
dr. by: TARIQ
chk. by:



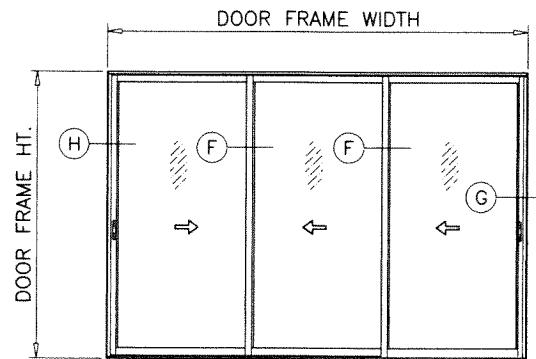
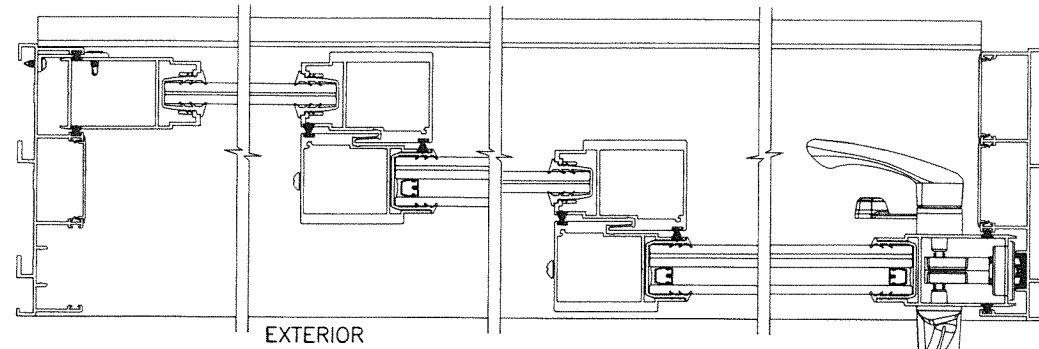
JUL 07 2023

APPROVED CONFIGURATIONS
POCKETED DOORS
TWO (2) TRACKS

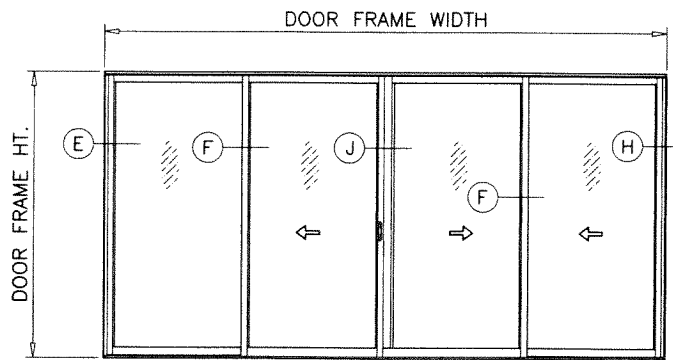
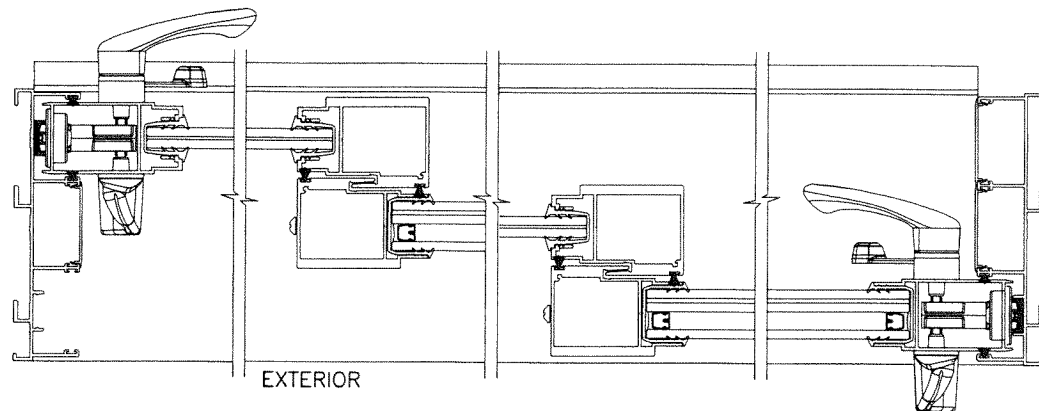
drawing no.
20-12D
sheet 8 of 23



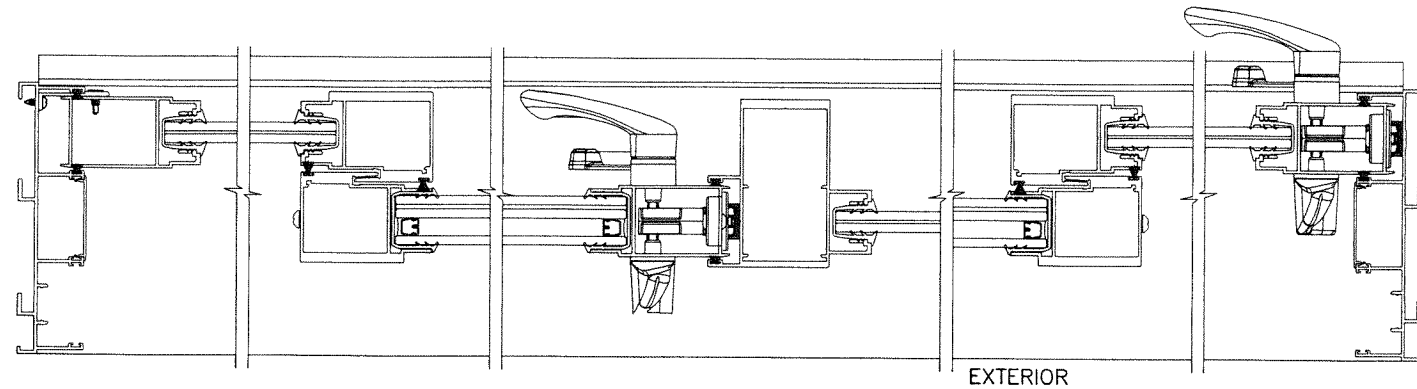
OXX (SHOWN)
XXO



XXX (SHOWN)



OXX-XX (SHOWN)
XXX-XO
OX-XO
XX-XX



NOTE:

1. CONFIGURATIONS SHOWN FOR ILLUSTRATION PURPOSES ONLY.
2. FOR APPLICABLE DESIGN PRESSURES SEE SHEET 5.
3. FOR ANCHOR DETAILS SEE SHEETS 14 THRU 19.
4. FOR ALTERNATE SIZE UNITS MAX. OVERALL FRAME AREA OF 3 TRACK FRAMES NOT TO EXCEED 360.2 SQ. FT. PER FBC. PANELS WIDTH AND HEIGHT NOT TO EXCEED SIZES SHOWN IN CHART ON SHEET 5.

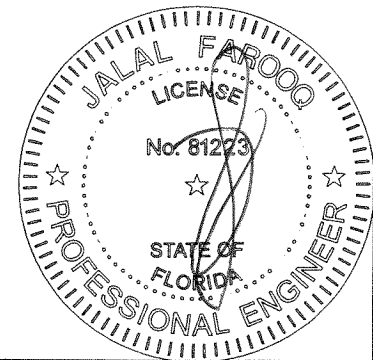
PRODUCT REVISED
as complying with the Florida
Building Code
NOA-No. 23-0714.12

Expiration Date 07/20/2027

By *Ishag I. Chande*
Miami-Dade Product Control

APPROVED CONFIGURATIONS
NON-POCKETED DOORS
THREE (3) TRACKS

JUL 07 2023



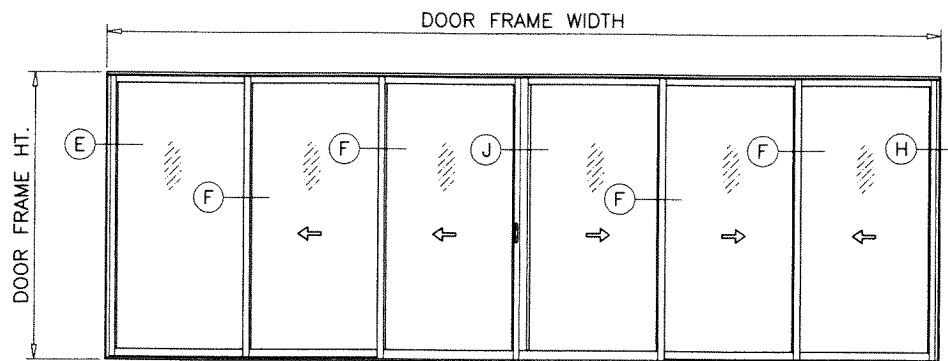
af c
AL-FAROOQ CORPORATION
ENGINEERS & PRODUCT DEVELOPMENT
9360 SUNSET DRIVE, SUITE 220
MIAMI, FLORIDA 33173 (C.A.N. 3538)
TEL. (305) 264-8100 FAX. (305) 262-6978
COMP-ANL\20-12D-ES

ES-EL400-10 ALUM SLIDING GLASS DOOR (L.M.I.)
E.S. WINDOWS, LLC
3550 N.W. 49 STREET
MIAMI, FL. 33142
TEL. (305) 638-5151 FAX. (305) 638-5158

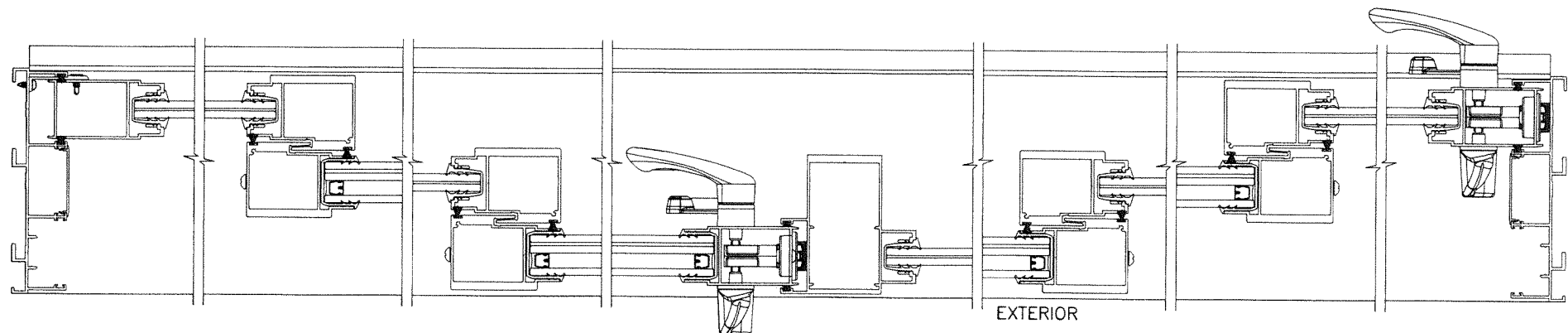
no	date	by	description
A	09.02.20		REV. PER PER COMMENTS
B	06.23.21		NO CHANGE THIS SHEET
C	08.04.21		NO CHANGE THIS SHEET
D	07.06.23		NO CHANGE THIS SHEET

date: 02-14-20
scale: -
dr. by: TARIQ
chk. by:

drawing no. 20-12D
sheet 9 of 23



OXX-XXX (SHOWN)
 XXX-XXO
 OXX-XXO
 XXX-XXX

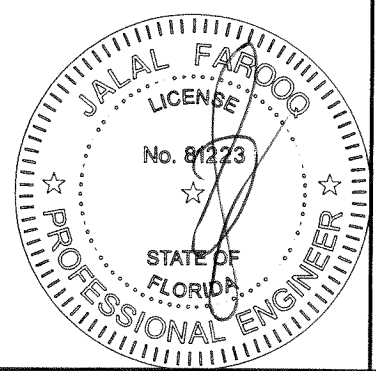


PRODUCT REVISED
 as complying with the Florida
 Building Code
 NOA-No. 23-0714.12
 Expiration Date 07/20/2027
 By Ishag I. Chande
 Miami-Dade Product Control

- NOTE:
1. CONFIGURATIONS SHOWN FOR ILLUSTRATION PURPOSES ONLY.
 2. FOR APPLICABLE DESIGN PRESSURES SEE SHEET 5.
 3. FOR ANCHOR DETAILS SEE SHEETS 14 THRU 19.
 4. FOR ALTERNATE SIZE UNITS MAX. OVERALL FRAME AREA OF 3 TRACK FRAMES NOT TO EXCEED 360.2 SQ. FT. PER FBC. PANELS WIDTH AND HEIGHT NOT TO EXCEED SIZES SHOWN IN CHART ON SHEET 5.

APPROVED CONFIGURATIONS
 NON-POCKETED DOORS
 THREE (3) TRACKS

JUL 07 2023



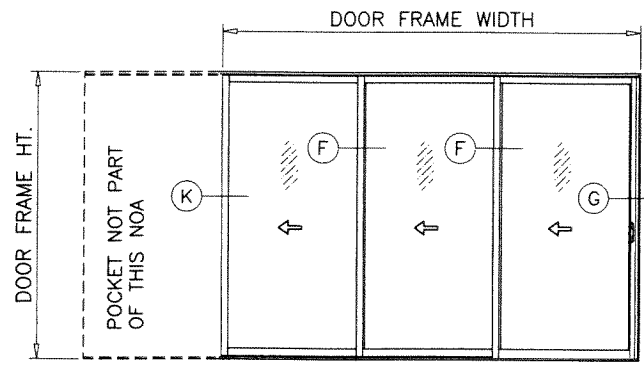
af c
AL-FAROOQ CORPORATION
 ENGINEERS & PRODUCT DEVELOPMENT
 9360 SUNSET DRIVE, SUITE 220 (C.A.N. 3538)
 MIAMI, FLORIDA 33173
 TEL. (305) 264-8100 FAX. (305) 262-6978
 COMP-ANL\20-12D-ES

ES-EL400-10 ALUM SLIDING GLASS DOOR (L.M.I.)
E.S. WINDOWS, LLC
 3550 N.W. 49 STREET
 MIAMI, FL. 33142
 TEL. (305) 638-5151 FAX. (305) 638-5158

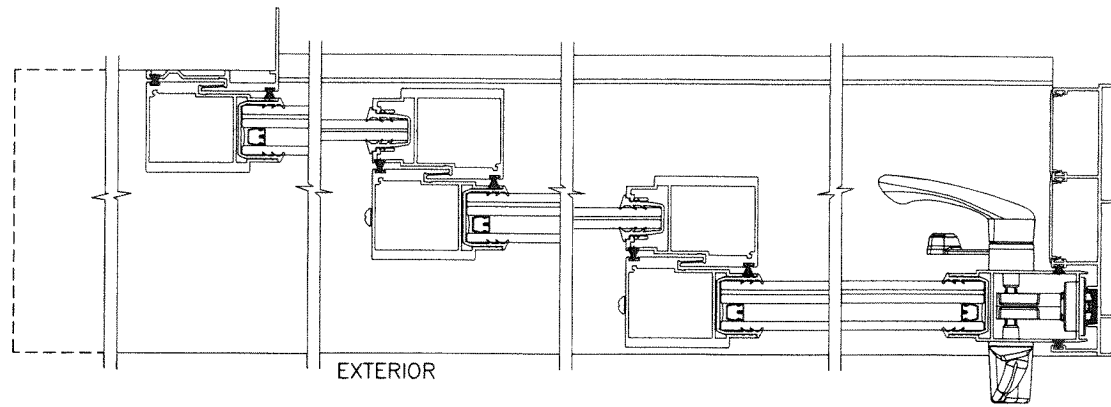
no	date	by	description
A	09.02.20		REV. PER RER COMMENTS
B	06.23.21		NO CHANGE THIS SHEET
C	08.04.21		NO CHANGE THIS SHEET
D	07.06.23		NO CHANGE THIS SHEET

date: 02-14-20
 scale: -
 dr. by: TARIQ
 chk. by:

drawing no.
 20-12D
 sheet 9.1 of 23

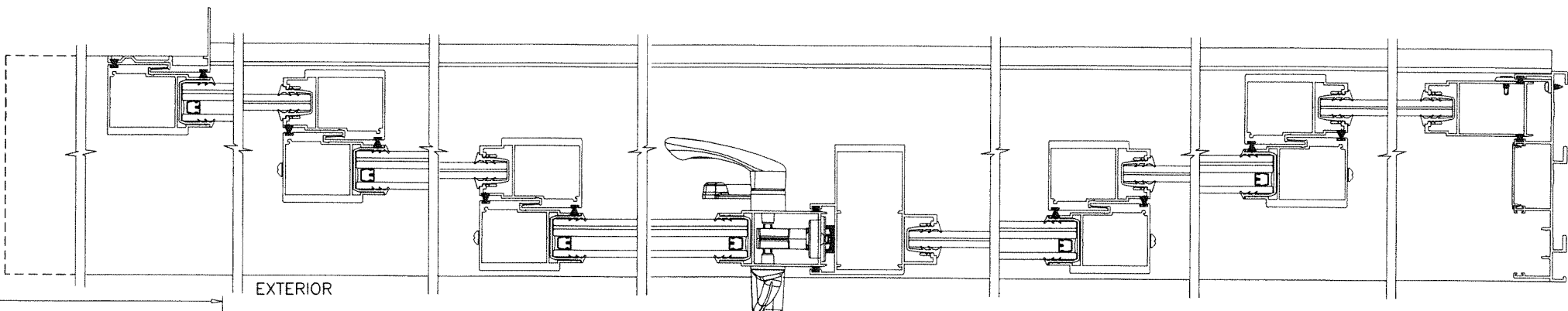


PXXX (SHOWN)
XXXXP

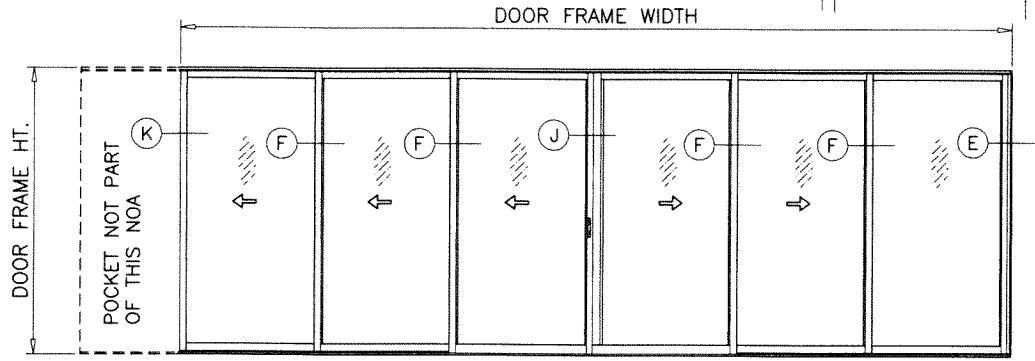


EXTERIOR

- NOTE:
1. CONFIGURATIONS SHOWN FOR ILLUSTRATION PURPOSES ONLY.
 2. FOR APPLICABLE DESIGN PRESSURES SEE SHEET 5.
 3. FOR ANCHOR DETAILS SEE SHEETS 14 THRU 19.
 4. FOR ALTERNATE SIZE UNITS MAX. OVERALL FRAME AREA OF 3 TRACK FRAMES NOT TO EXCEED 360.2 SQ. FT. PER FBC. PANELS WIDTH AND HEIGHT NOT TO EXCEED SIZES SHOWN IN CHART ON SHEET 5.
 5. POCKETS NOT PART OF THIS APPROVAL. POCKET AREA IS NOT INCLUSIVE AS FRAME AREA.

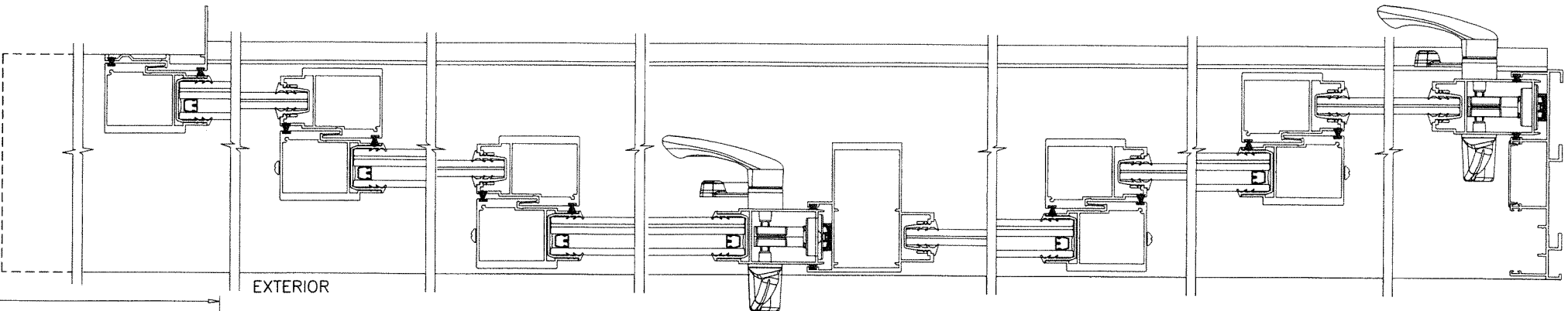


EXTERIOR

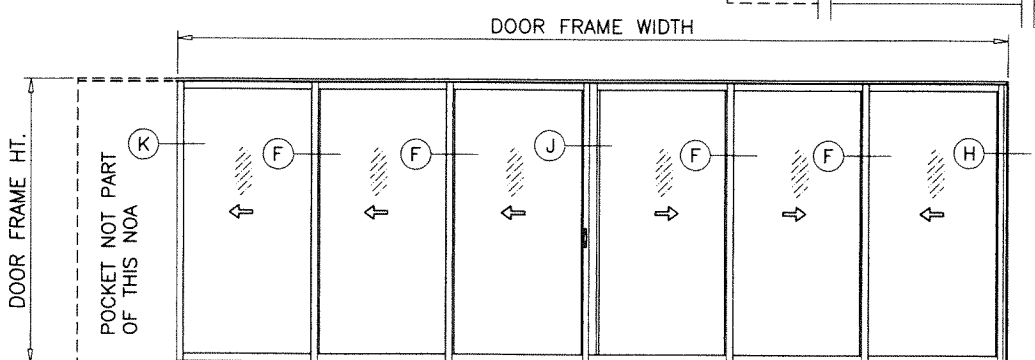


PXXX-XXO (SHOWN)
OXX-XXXXP

PRODUCT REVISED
as complying with the Florida Building Code
NOA-No. 23-0714.12
Expiration Date 07/20/2027
By *Ishag I. Chank*
Miami-Dade Product Control



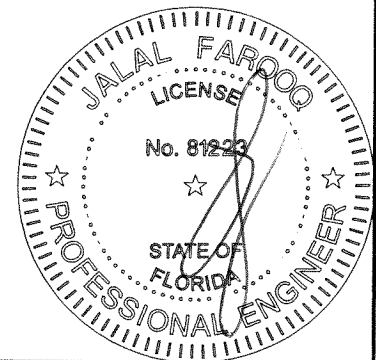
EXTERIOR



PXXX-XXX (SHOWN)
XXX-XXXXP
PXXX-XXXXP

**APPROVED CONFIGURATIONS
POCKETED DOORS
THREE (3) TRACKS**

JUL 07 2023



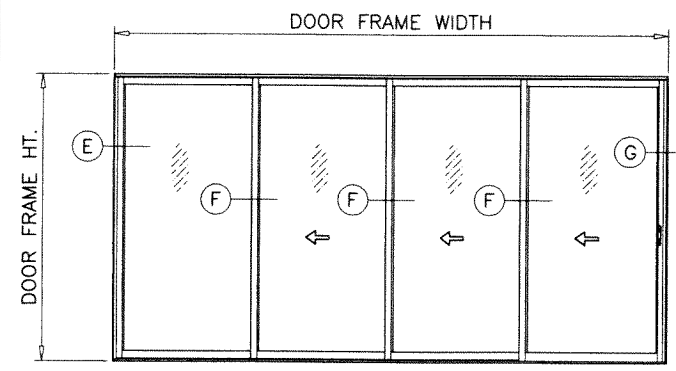
af c
AL-FAROOQ CORPORATION
ENGINEERS & PRODUCT DEVELOPMENT
9360 SUNSET DRIVE, SUITE 220 (C.A.N. 3538)
MIAMI, FLORIDA 33173
TEL. (305) 264-8100 FAX. (305) 262-6978
COMP-ANL\20-12D-ES

ES-EL400-10 ALUM SLIDING GLASS DOOR (L.M.I.)
E.S. WINDOWS, LLC
3550 N.W. 49 STREET
MIAMI, FL. 33142
TEL. (305) 638-5151 FAX. (305) 638-5158

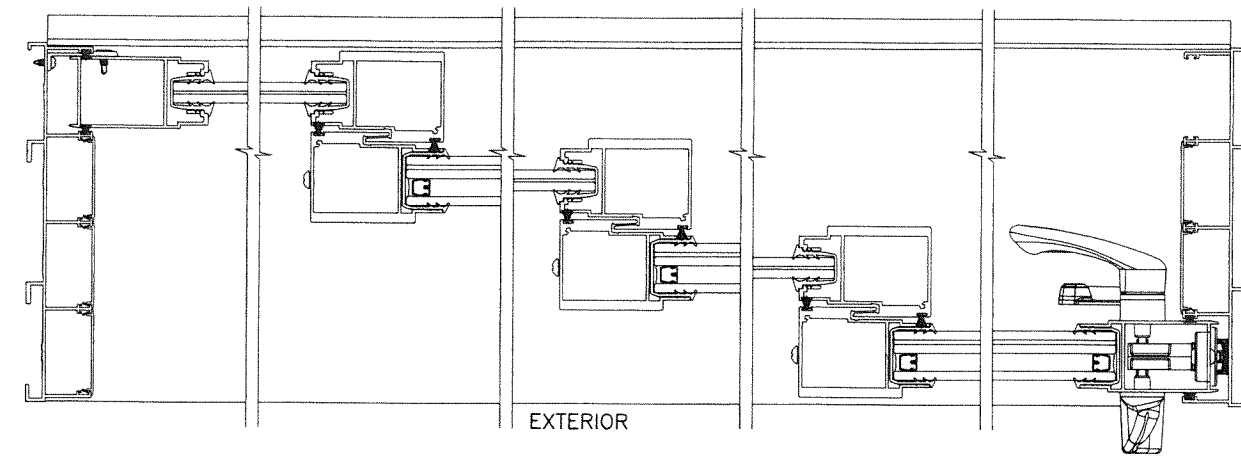
no	date	description	by
A	09.02.20	REV. PER PER COMMENTS	
B	06.23.21	NO CHANGE THIS SHEET	
C	08.04.21	NO CHANGE THIS SHEET	
D	07.06.23	NO CHANGE THIS SHEET	

date: 02-14-20
scale: -
dr. by: TARIQ
chk. by:

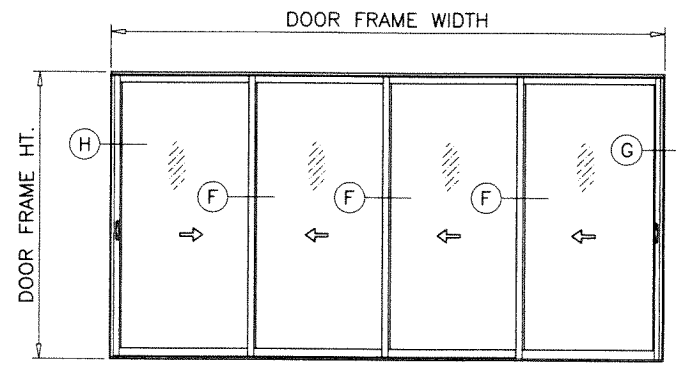
drawing no. 20-12D
sheet 10 of 23



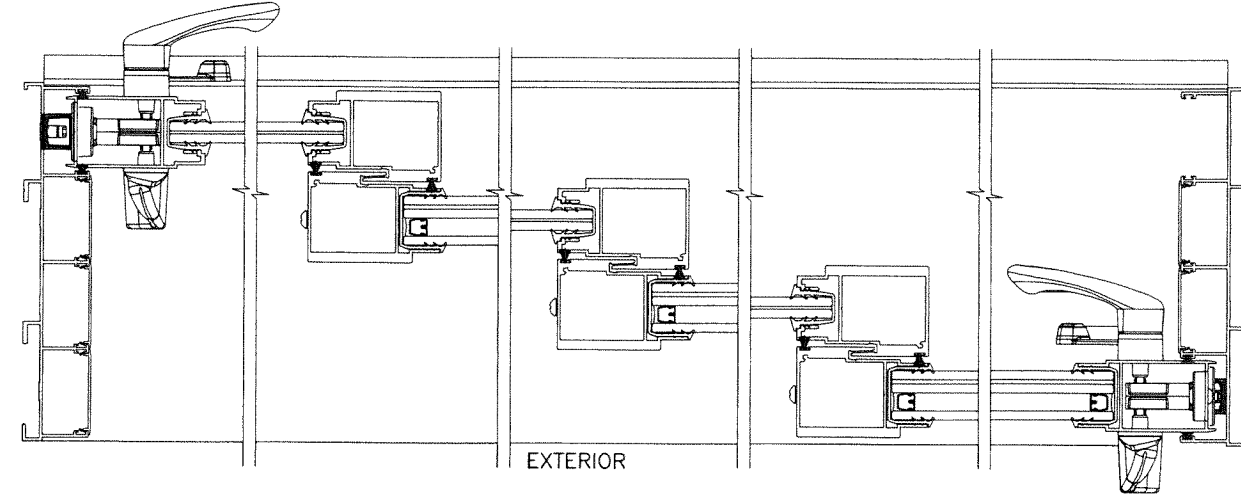
OXXX (SHOWN)
XXXX



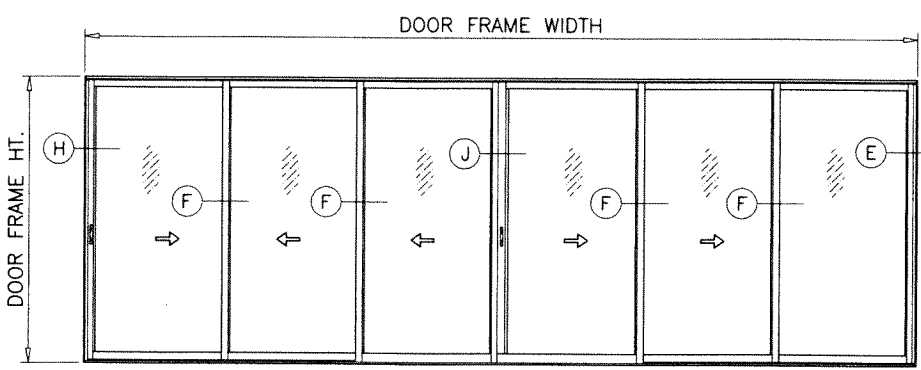
EXTERIOR



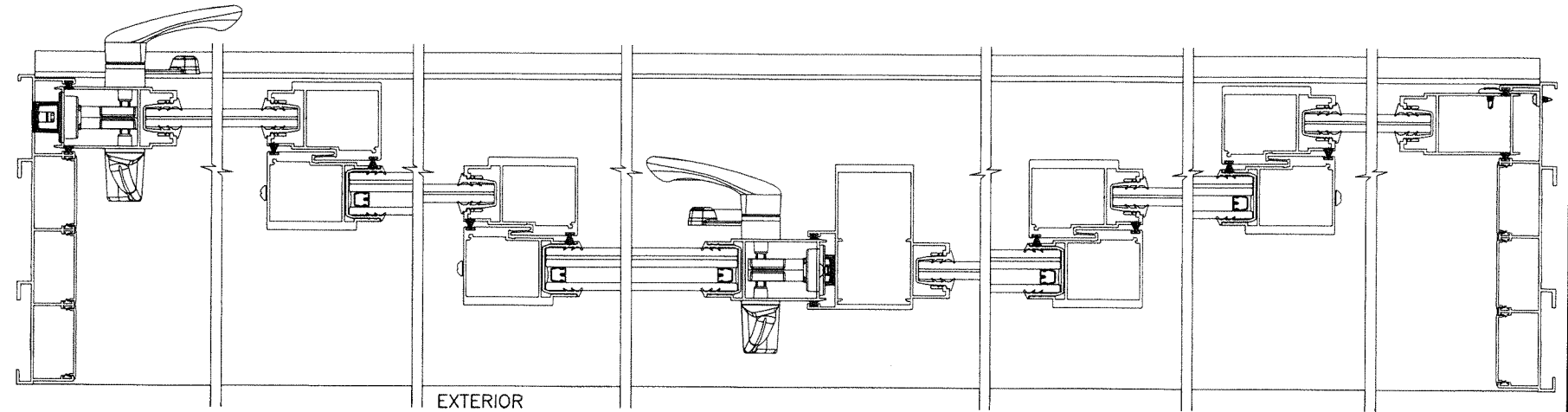
XXXX (SHOWN)



EXTERIOR



XXX-XXO (SHOWN)
OXX-XXX
OXX-XXO
XXX-XXX



EXTERIOR

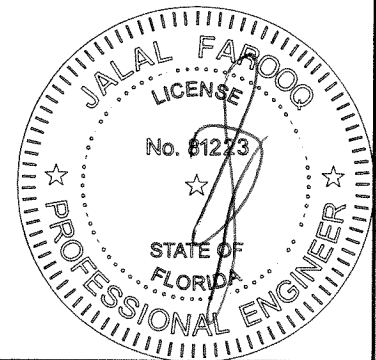
- NOTE:
1. CONFIGURATIONS SHOWN FOR ILLUSTRATION PURPOSES ONLY.
 2. FOR APPLICABLE DESIGN PRESSURES SEE SHEET 5.
 3. FOR ANCHOR DETAILS SEE SHEETS 14 THRU 19.
 4. FOR ALTERNATE SIZE UNITS MAX. OVERALL FRAME AREA OF 4 TRACK FRAMES NOT TO EXCEED 360.2 SQ. FT. PER FBC. PANELS WIDTH AND HEIGHT NOT TO EXCEED SIZES SHOWN IN CHART ON SHEET 5.

af c
AL-FAROOQ CORPORATION
 ENGINEERS & PRODUCT DEVELOPMENT
 9360 SUNSET DRIVE, SUITE 220 (C.A.N. 3538)
 MIAMI, FLORIDA 33173
 TEL. (305) 264-8100 FAX. (305) 262-6978
 COMP-ANI\20-12D-ES

ES-EL400-10 ALUM SLIDING GLASS DOOR (L.M.I.)
E.S. WINDOWS, LLC
 3550 N.W. 49 STREET
 MIAMI, FL. 33142
 TEL. (305) 638-5151 FAX. (305) 638-5158

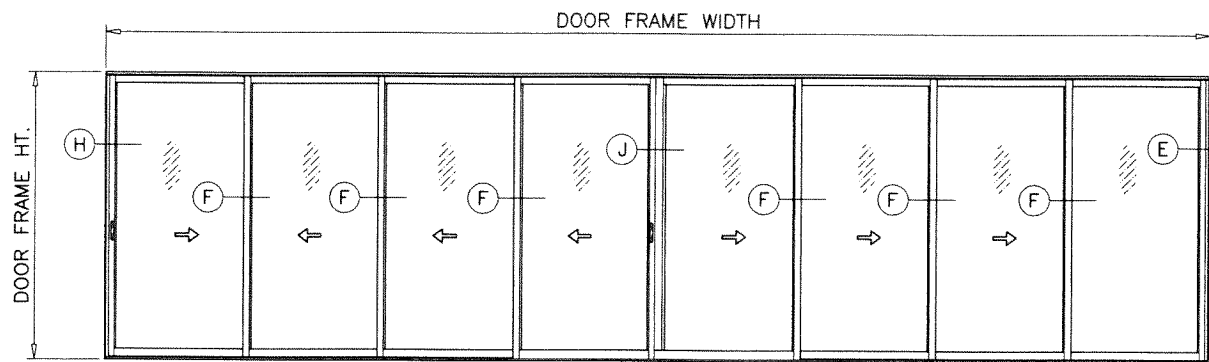
no	date	by	description
A	09.02.20		REV. PER PER COMMENTS
B	06.23.21		NO CHANGE THIS SHEET
C	08.04.21		NO CHANGE THIS SHEET
D	07.06.23		NO CHANGE THIS SHEET

date: 02-14-20
 scale: -
 dr. by: TARIQ
 chk. by:
 drawing no. 20-12D
 sheet 11 of 23

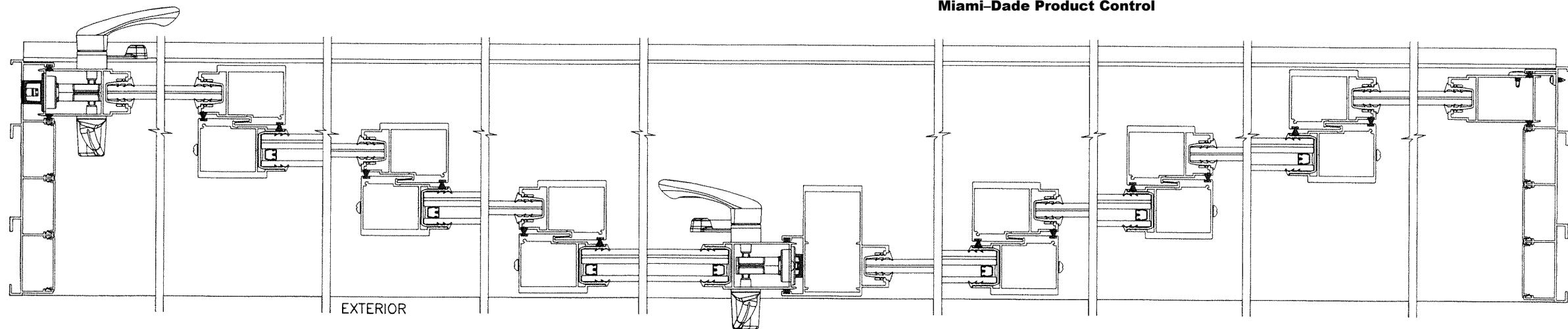


JUL 07 2023

APPROVED CONFIGURATIONS
 NON-POCKETED DOORS
 FOUR (4) TRACKS



XXXX-XXXX (SHOWN)
 OXXX-XXXX
 OXXX-XXXX
 XXXX-XXXX



NOTE:

1. CONFIGURATIONS SHOWN FOR ILLUSTRATION PURPOSES ONLY.
2. FOR APPLICABLE DESIGN PRESSURES SEE SHEET 5.
3. FOR ANCHOR DETAILS SEE SHEETS 14 THRU 19.
4. FOR ALTERNATE SIZE UNITS MAX. OVERALL FRAME AREA OF 4 TRACK FRAMES NOT TO EXCEED 360.2 SQ. FT. PER FBC. PANELS WIDTH AND HEIGHT NOT TO EXCEED SIZES SHOWN IN CHART ON SHEET 5.

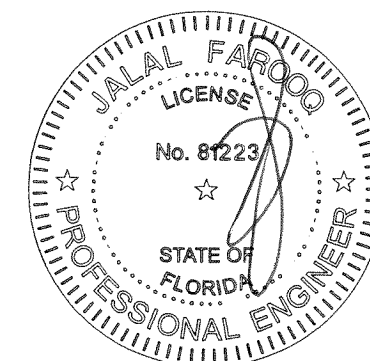
PRODUCT REVISED
 as complying with the Florida
 Building Code
 NOA-No. 23-0714.12

Expiration Date 07/20/2027

By Ishag I. Chande
 Miami-Dade Product Control

APPROVED CONFIGURATIONS
 NON-POCKETED DOORS
 FOUR (4) TRACKS

JUL 07 2023

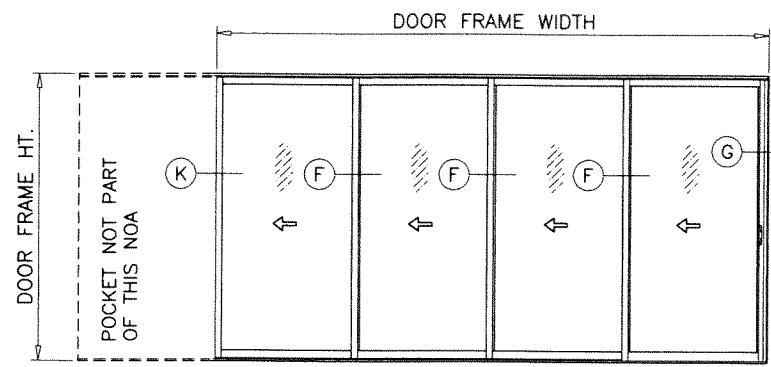


af c
AL-FAROOQ CORPORATION
 ENGINEERS & PRODUCT DEVELOPMENT
 9360 SUNSET DRIVE, SUITE 220 (C.A.N. 3538)
 MIAMI, FLORIDA 33173
 TEL. (305) 264-8100 FAX. (305) 262-6978
 COMP-ANL\20-12D-ES

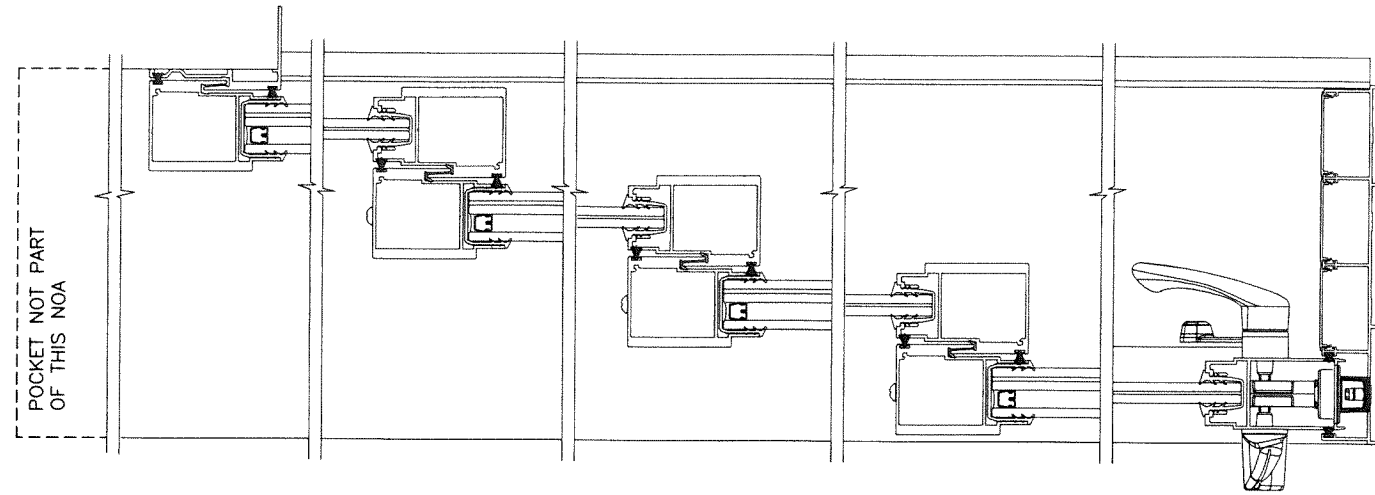
ES-EL400-10 ALUM SLIDING GLASS DOOR (L.M.I.)
E.S. WINDOWS, LLC
 3550 N.W. 49 STREET
 MIAMI, FL. 33142
 TEL. (305) 638-5151 FAX. (305) 638-5158

no	date	by	description
A	09.02.20		REV. PER RER COMMENTS
B	06.23.21		NO CHANGE THIS SHEET
C	06.04.21		NO CHANGE THIS SHEET
D	07.06.23		NO CHANGE THIS SHEET

date: 02-14-20
 scale: -
 dr. by: TARIQ
 chk. by:
 drawing no. 20-12D
 sheet 11.1 of 23



PXXXX (SHOWN)
XXXXP



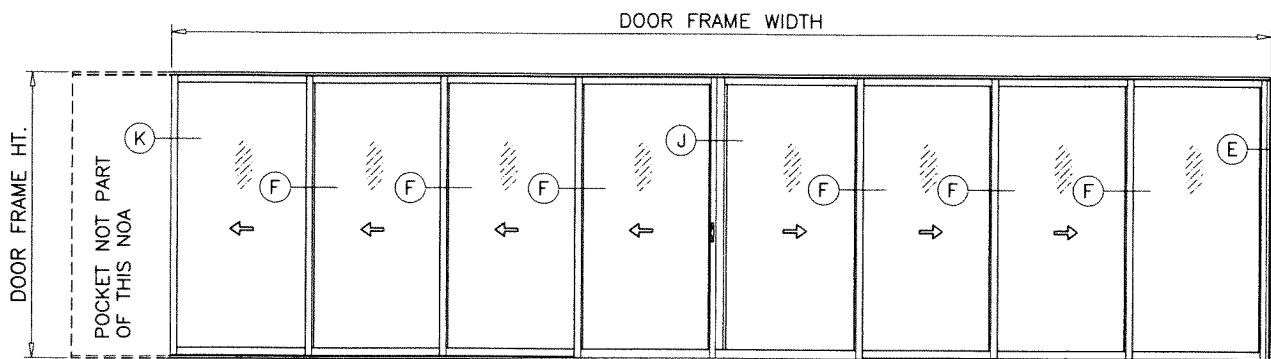
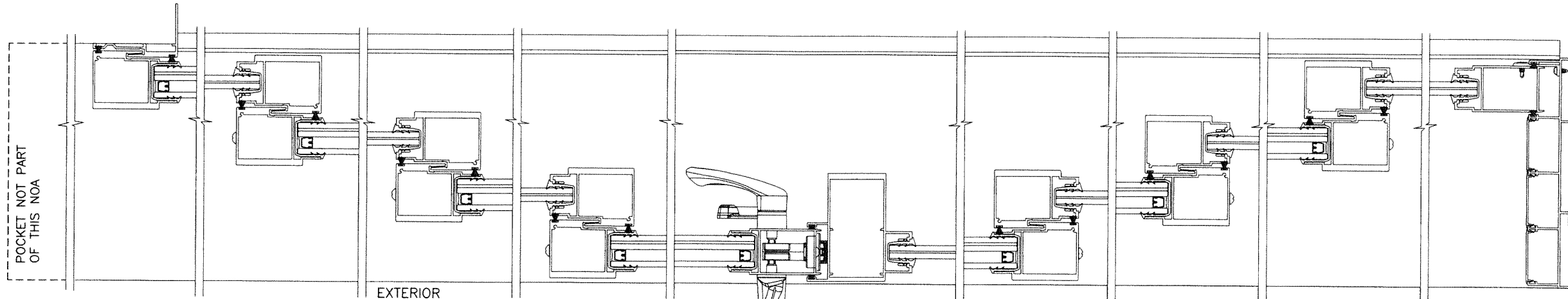
PRODUCT REVISED
as complying with the Florida
Building Code
NOA-No. 23-0714.12

Expiration Date 07/20/2027

By *Ishaq I. Chande*
Miami-Dade Product Control

NOTE:

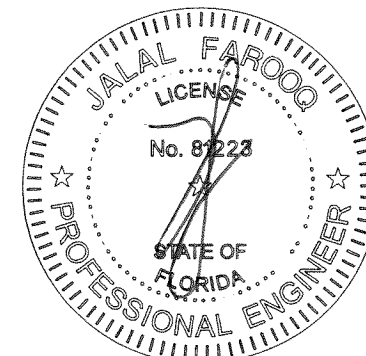
1. CONFIGURATIONS SHOWN FOR ILLUSTRATION PURPOSES ONLY.
2. FOR APPLICABLE DESIGN PRESSURES SEE SHEET 5.
3. FOR ANCHOR DETAILS SEE SHEETS 14 THRU 19.
4. FOR ALTERNATE SIZE UNITS MAX. OVERALL FRAME AREA OF 4 TRACK FRAMES NOT TO EXCEED 360.2 SQ. FT. PER FBC. PANELS WIDTH AND HEIGHT NOT TO EXCEED SIZES SHOWN IN CHART ON SHEET 5.
5. POCKETS NOT PART OF THIS APPROVAL. POCKET AREA IS NOT INCLUSIVE AS FRAME AREA.



PXXXX-XXXXO (SHOWN)
OXXX-XXXXP

APPROVED CONFIGURATIONS
POCKETED DOORS
FOUR (4) TRACKS

JUL 07 2023



af c
AL-FAROOQ CORPORATION
ENGINEERS & PRODUCT DEVELOPMENT
9360 SUNSET DRIVE, SUITE 220
MIAMI, FLORIDA 33173 (C.A.N. 3538)
TEL. (305) 264-8100 FAX. (305) 262-6978

ES-EL400-10 ALUM SLIDING GLASS DOOR (L.M.I.)
E.S. WINDOWS, LLC
3550 N.W. 49 STREET
MIAMI, FL. 33142
TEL. (305) 638-5151 FAX. (305) 638-5158

revisions:		by description	
no	date	no	description
A	09.02.20	REV. PER PER COMMENTS	
B	06.23.21	NO CHANGE THIS SHEET	
C	08.04.21	NO CHANGE THIS SHEET	
D	07.06.23	NO CHANGE THIS SHEET	

date: 02-14-20
scale: -
dr. by: TARIQ
chk. by:

drawing no.
20-12D

sheet 12 of 23

COMP-ANL\20-12D-ES

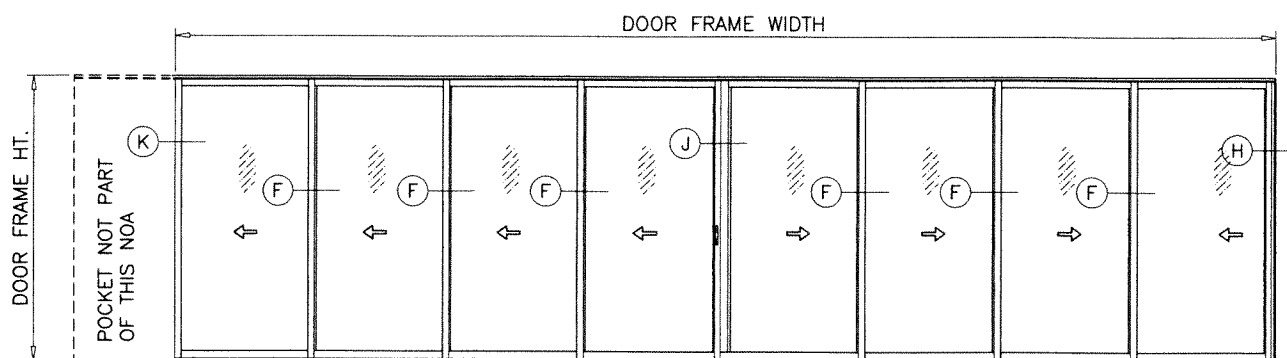
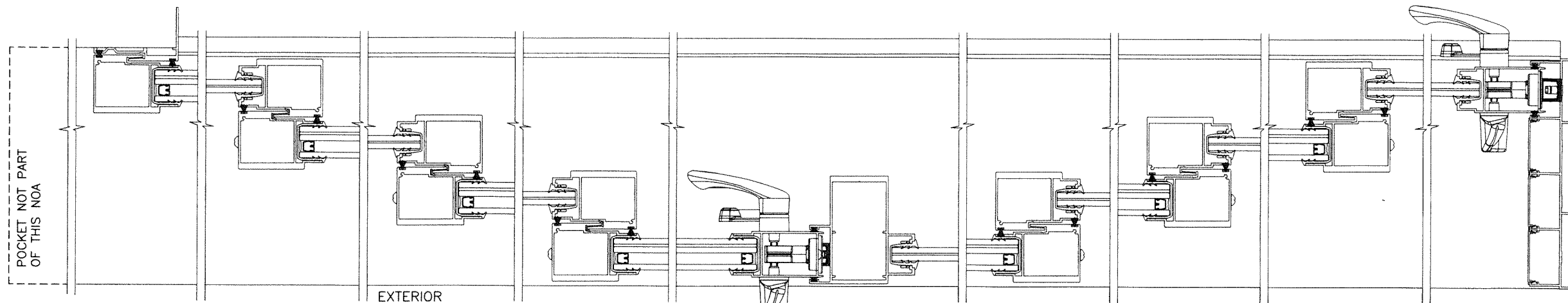
PRODUCT REVISED
 as complying with the Florida
 Building Code
 NOA-No. 23-0714.12

Expiration Date 07/20/2027

By Ishag I. Chanda
 Miami-Dade Product Control

NOTE:

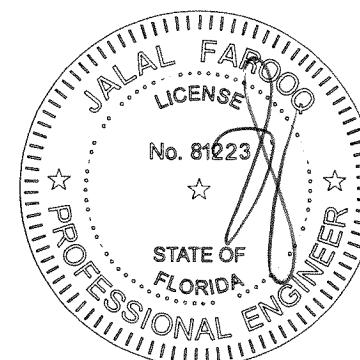
1. CONFIGURATIONS SHOWN FOR ILLUSTRATION PURPOSES ONLY.
2. FOR APPLICABLE DESIGN PRESSURES SEE SHEET 5.
3. FOR ANCHOR DETAILS SEE SHEETS 14 THRU 19.
4. FOR ALTERNATE SIZE UNITS MAX. OVERALL FRAME AREA OF 4 TRACK FRAMES NOT TO EXCEED 360.2 SQ. FT. PER FBC. PANELS WIDTH AND HEIGHT NOT TO EXCEED SIZES SHOWN IN CHART ON SHEET 5.
5. POCKETS NOT PART OF THIS APPROVAL. POCKET AREA IS NOT INCLUSIVE AS FRAME AREA.



PXXXX-XXXX (SHOWN)
 XXXX-XXXXP
 PXXXX-XXXXP

APPROVED CONFIGURATIONS
 POCKETED DOORS
 FOUR (4) TRACKS

JUL 07 2023



af c
AL-FAROOQ CORPORATION
 ENGINEERS & PRODUCT DEVELOPMENT
 9360 SUNSET DRIVE, SUITE 220 (C.A.N. 3538)
 MIAMI, FLORIDA 33173
 TEL. (305) 264-8100 FAX. (305) 262-6978

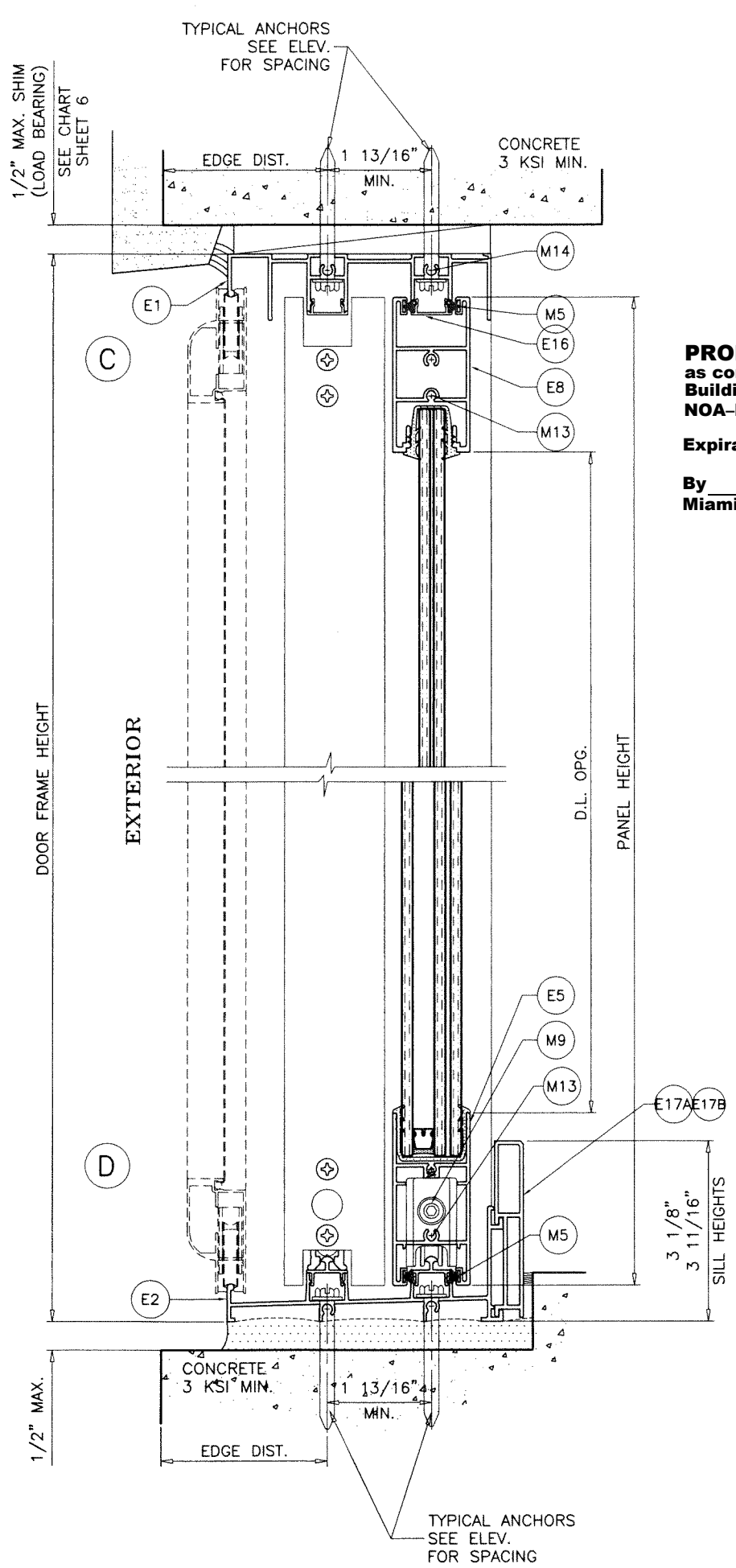
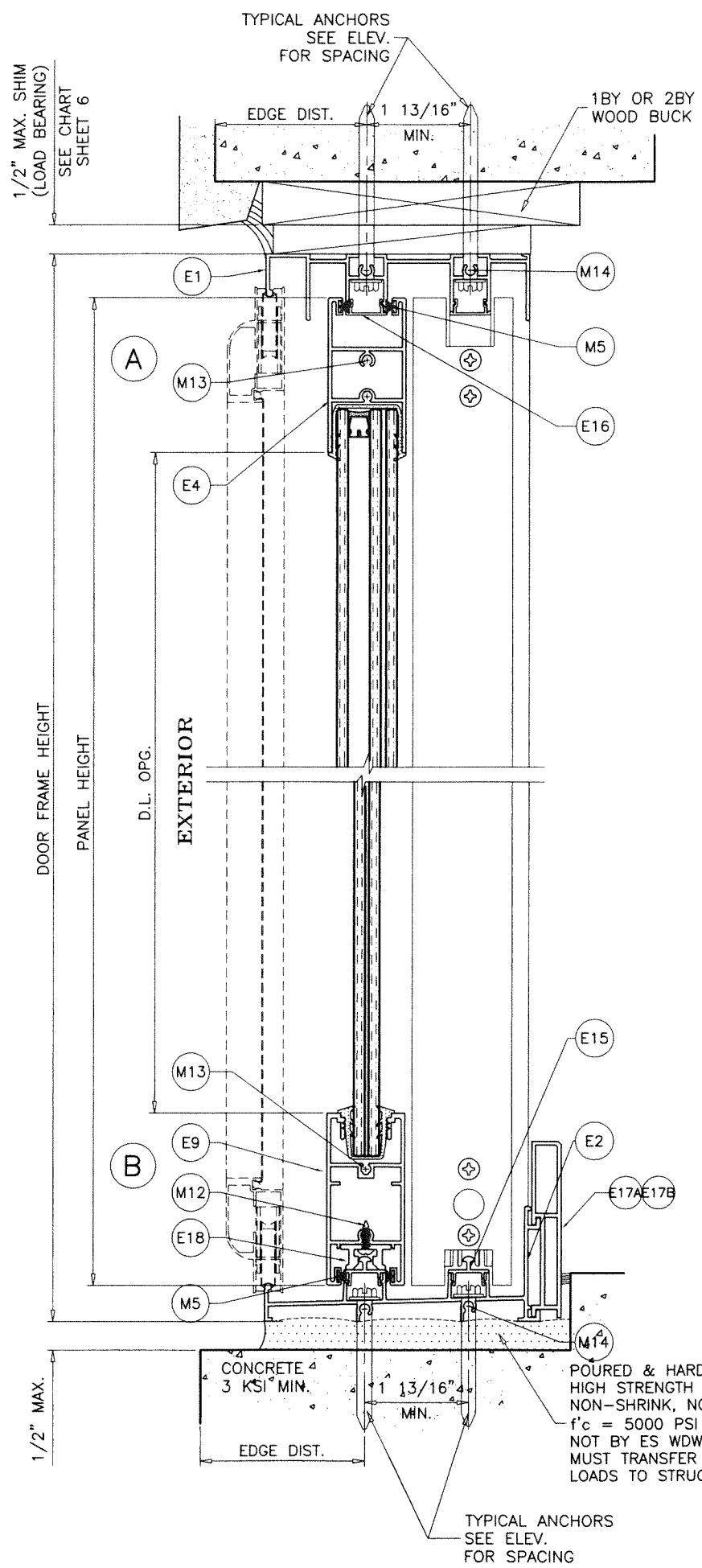
ES-EL400-10 ALUM SLIDING GLASS DOOR (L.M.I.)

E.S. WINDOWS, LLC
 3550 N.W. 49 STREET
 MIAMI, FL. 33142
 TEL. (305) 638-5151 FAX. (305) 638-5158

no	date	by	description
A	09.02.20		REV. PER PER COMMENTS
B	06.23.21		NO CHANGE THIS SHEET
C	08.04.21		NO CHANGE THIS SHEET
D	07.06.23		NO CHANGE THIS SHEET

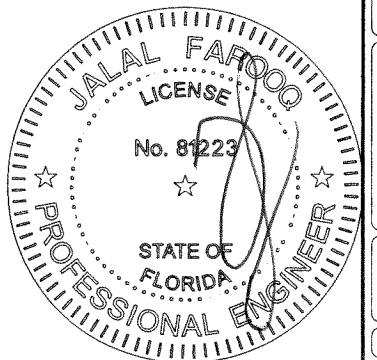
date: 02-14-20
 scale: -
 dr. by: TARIQ
 chk. by:
 drawing no.
20-12D
 sheet 13 of 23

COMP-ANL\20-12D-ES



PRODUCT REVISED
 as complying with the Florida
 Building Code
 NOA-No. 23-0714.12
 Expiration Date 07/20/2027
 By *Ishag I. Chanda*
 Miami-Dade Product Control

JUL 07 2023



af c
AL-FAROOQ CORPORATION
 ENGINEERS & PRODUCT DEVELOPMENT
 9360 SUNSET DRIVE, SUITE 220
 MIAMI, FLORIDA 33173 (C.A.N. 3538)
 TEL. (305) 264-8100 FAX. (305) 262-6978
 COMP-ANL\20-12D-ES

ES-EL400-10 ALUM SLIDING GLASS DOOR (L.M.I.)
E.S. WINDOWS, LLC
 3550 N.W. 49 STREET
 MIAMI, FL. 33142
 TEL. (305) 638-5151 FAX. (305) 638-5158

no	date	description	by
A	09.02.20	NO CHANGE THIS SHEET	
B	06.23.21	SILL RISER REVISED	
C	08.04.21	SILL RISER OPTIONS ADDED	
D	07.06.23	NO CHANGE THIS SHEET	

date: 02-14-20
 scale: 3/8" = 1"
 dr. by: TARIQ
 chk. by:

drawing no.
20-12D
 sheet 14 of 23

TYPICAL ANCHORS: SEE ELEV. FOR SPACING

AT HEAD

- TYPE 'A'- 1/4" DIA. ULTRACON+ BY 'DEWALT' (Fu=164 KSI, Fy=148 KSI)
 INTO WOOD STRUCTURES
 2" MIN. PENETRATION INTO WOOD
 THRU 1BY OR 2BY WOOD BUCKS INTO CONCRETE
 1-3/4" MIN. EMBED INTO CONCRETE, 1-1/2" MIN. EDGE DIST.
- TYPE 'B'- 1/4" DIA. ULTRACON+ BY 'DEWALT' (Fu=164 KSI, Fy=148 KSI)
 DIRECTLY INTO CONCRETE
 2" MIN. EMBED INTO CONCRETE, 1-1/2" MIN. EDGE DIST.
- TYPE 'C'- 1/4" DIA. TEKS OR SELF DRILLING SCREWS (GRADE 5 CRS)
 INTO MIAMI-DADE COUNTY APPROVED MULLIONS
 OR
 INTO METAL STRUCTURES
 (3) THREADS MIN. PENETRATION BEYOND SUBSTRATE
 ALUMINUM: 1/8" THK. MIN. (6063-T5 MIN.)
 STEEL: 1/8" THK. MIN. (Fy = 36 KSI MIN.)
 (STEEL IN CONTACT WITH ALUMINUM TO BE PLATED OR PAINTED)

AT SILL

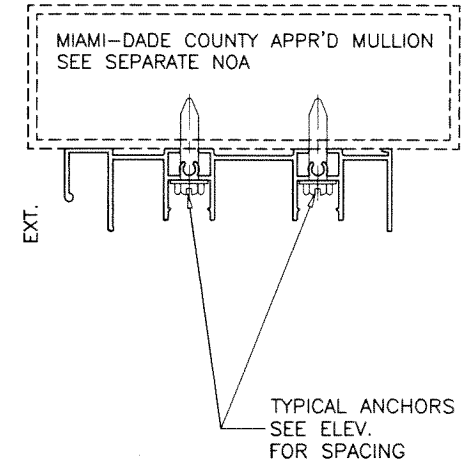
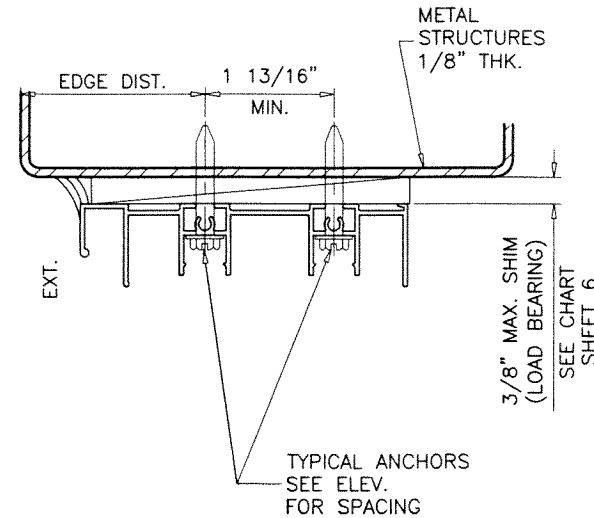
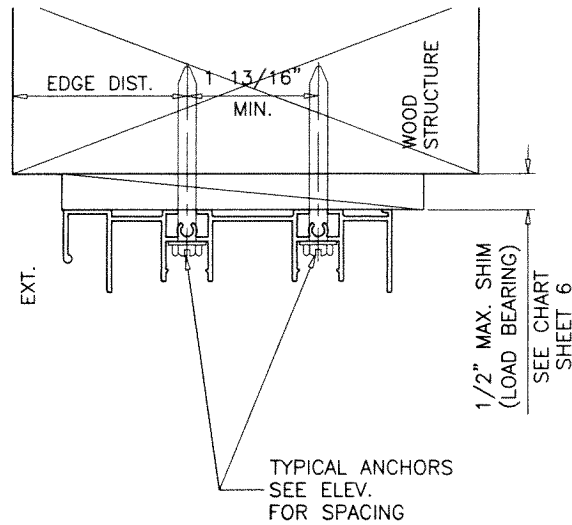
- TYPE 'B'- 1/4" DIA. ULTRACON+ BY 'DEWALT' (Fu=164 KSI, Fy=148 KSI)
 DIRECTLY INTO CONCRETE
 1-3/4" MIN. EMBED INTO CONCRETE

AT JAMBS

- TYPE 'A'- 1/4" DIA. ULTRACON+ BY 'DEWALT' (Fu=164 KSI, Fy=148 KSI)
 INTO WOOD STRUCTURES
 2" MIN. PENETRATION INTO WOOD
 THRU 1BY OR 2BY WOOD BUCKS INTO CONC. OR FILLED BLOCK
 1-3/4" MIN. EMBED INTO CONCRETE
 1-3/4" MIN. EMBED INTO GROUT FILLED BLOCKS
- TYPE 'B'- 1/4" DIA. ULTRACON+ BY 'DEWALT' (Fu=164 KSI, Fy=148 KSI)
 DIRECTLY INTO CONCRETE OR GROUT FILLED BLOCKS
 2" MIN. EMBED INTO CONCRETE
 2" MIN. EMBED INTO GROUT FILLED BLOCKS
- TYPE 'C'- 1/4" DIA. TEKS OR SELF DRILLING SCREWS (GRADE 5 CRS)
 INTO MIAMI-DADE COUNTY APPROVED MULLIONS
 OR
 INTO METAL STRUCTURES
 (3) THREADS MIN. PENETRATION BEYOND SUBSTRATE
 ALUMINUM: 1/8" THK. MIN. (6063-T5 MIN.)
 STEEL: 1/8" THK. MIN. (Fy = 36 KSI MIN.)
 (STEEL IN CONTACT WITH ALUMINUM TO BE PLATED OR PAINTED)

ANCHOR EDGE DISTANCES

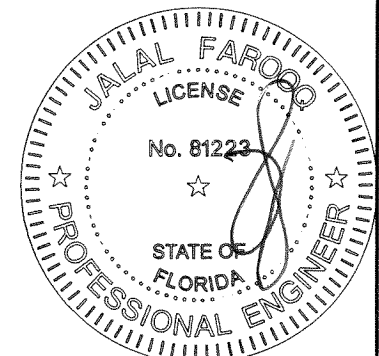
INTO CONCRETE AND MASONRY = 2-1/2" MIN. (UNLESS SPECIFIED OTHERWISE)
 INTO WOOD STRUCTURE = 1" MIN.
 INTO METAL STRUCTURE = 3/4" MIN.
 WOOD AT HEAD OR JAMBS SG = 0.55 MIN.
 CONCRETE AT HEAD, SILL OR JAMBS f'c = 3000 PSI MIN.
 C-90 GROUT FILLED BLOCK AT JAMBS f'm = 2000 PSI MIN.



PRODUCT REVISED
 as complying with the Florida
 Building Code
 NOA-No. 23-0714.12
 Expiration Date 07/20/2027
 By *Ishaq I. Chank*
 Miami-Dade Product Control

1BY OR 2BY WOOD BUCKS AND METAL STRUCTURE NOT BY E.S. WDW.
 MUST SUSTAIN LOADS IMPOSED BY GLAZING SYSTEM
 AND TRANSFER THEM TO THE BUILDING STRUCTURE.

JUL 07 2023

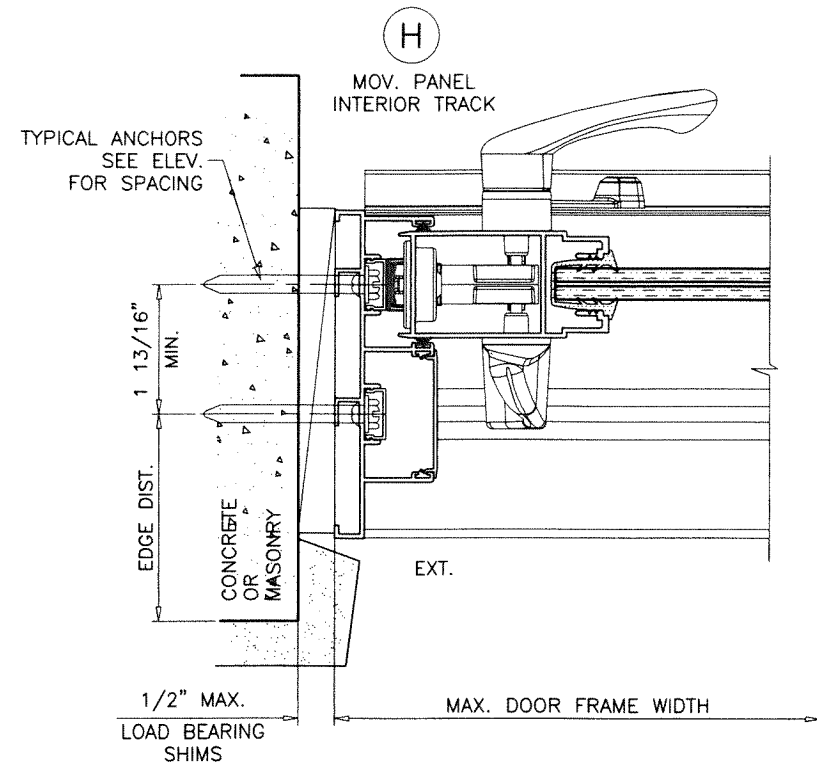
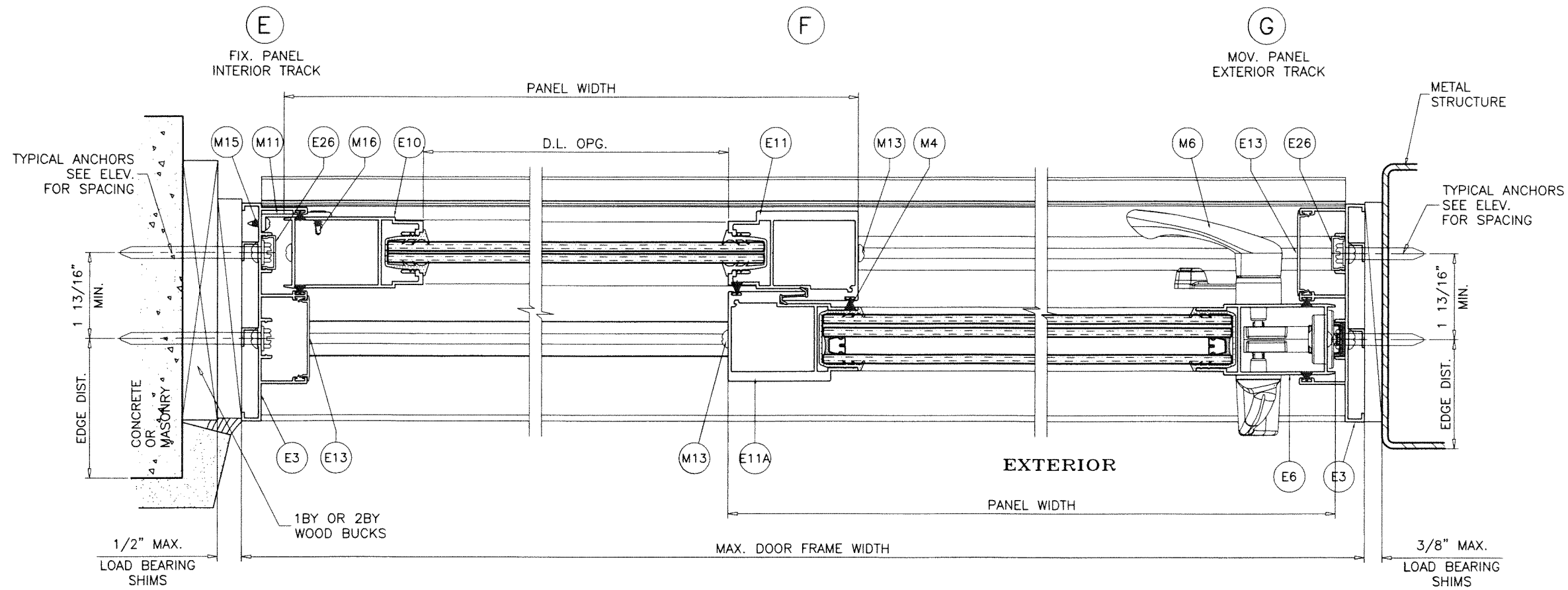


a f c
AL-FAROOQ CORPORATION
 ENGINEERS & PRODUCT DEVELOPMENT
 9360 SUNSET DRIVE, SUITE 220
 MIAMI, FLORIDA 33173 (C.A.N. 3538)
 TEL. (305) 264-8100 FAX. (305) 262-6978
 COMP-ANL\20-12D-ES

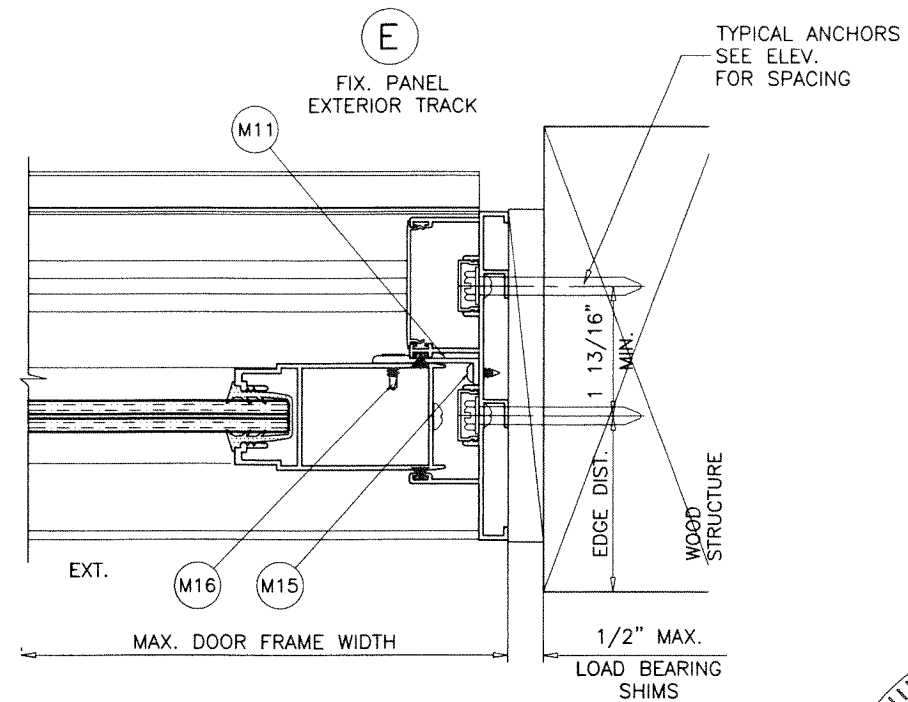
ES-EL400-10 ALUM SLIDING GLASS DOOR (L.M.I.)
E.S. WINDOWS, LLC
 3550 N.W. 49 STREET
 MIAMI, FL. 33142
 TEL. (305) 638-5151 FAX. (305) 638-5158

no	date	description	by
A	09.02.20	REV. PER RER COMMENTS	
B	06.23.21	NO CHANGE THIS SHEET	
C	08.04.21	NO CHANGE THIS SHEET	
D	07.06.23	NO CHANGE THIS SHEET	

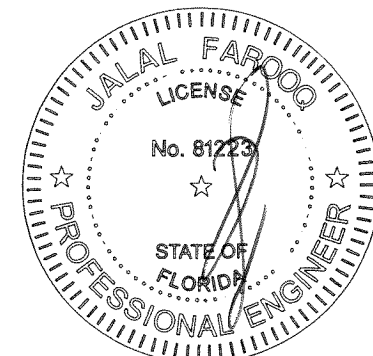
date: 02-14-20
 scale: 3/8" = 1"
 dr. by: TARIQ
 chk. by:
 drawing no. 20-12D
 sheet 15 of 23



PRODUCT REVISED
 as complying with the Florida Building Code
 NOA-No. 23-0714.12
 Expiration Date 07/20/2027
 By *Ishag I. Chank*
 Miami-Dade Product Control



JUL 07 2023



afc
AL-FAROOQ CORPORATION
 ENGINEERS & PRODUCT DEVELOPMENT
 9360 SUNSET DRIVE, SUITE 220
 MIAMI, FLORIDA 33173 (C.A.N. 3538)
 TEL. (305) 264-8100 FAX. (305) 262-6978
 COMP-ANL\20-12D-ES

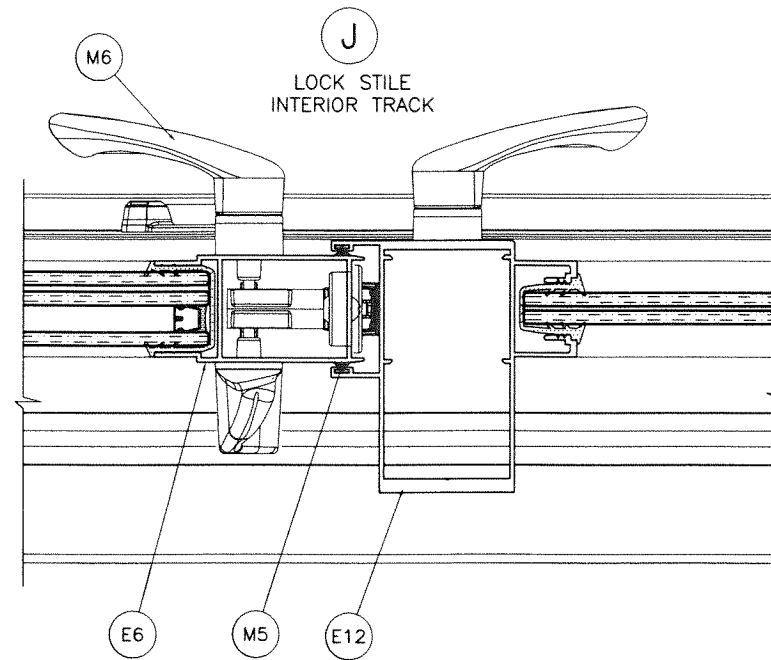
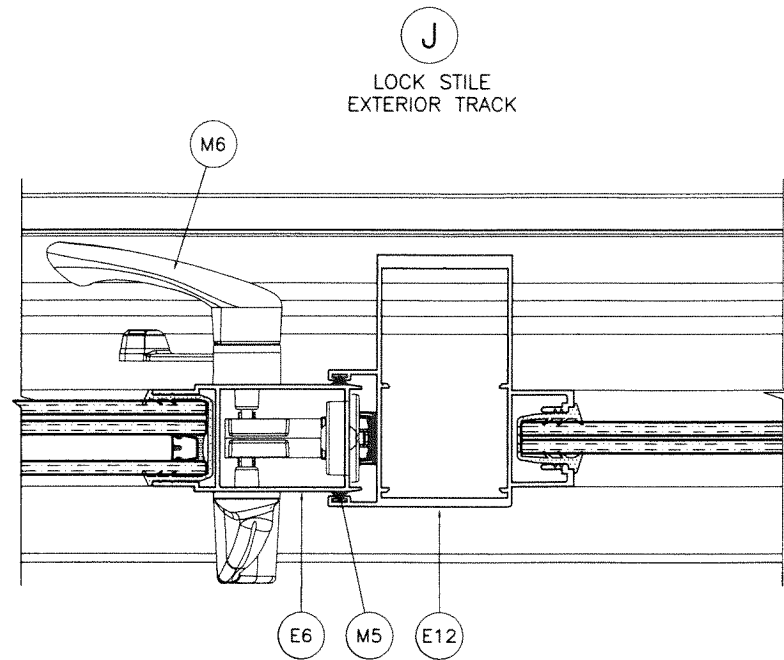
ES-EL400-10 ALUM SLIDING GLASS DOOR (L.M.I.)
E.S. WINDOWS, LLC
 3550 N.W. 49 STREET
 MIAMI, FL. 33142
 TEL. (305) 638-5151 FAX. (305) 638-5158

no	date	description
A	09.02.20	NO CHANGE THIS SHEET
B	06.23.21	NO CHANGE THIS SHEET
C	08.04.21	NO CHANGE THIS SHEET
D	07.06.23	NO CHANGE THIS SHEET

date: 02-14-20
 scale: 3/8" = 1"
 dr. by: TARIQ
 chk. by:

drawing no.
20-12D

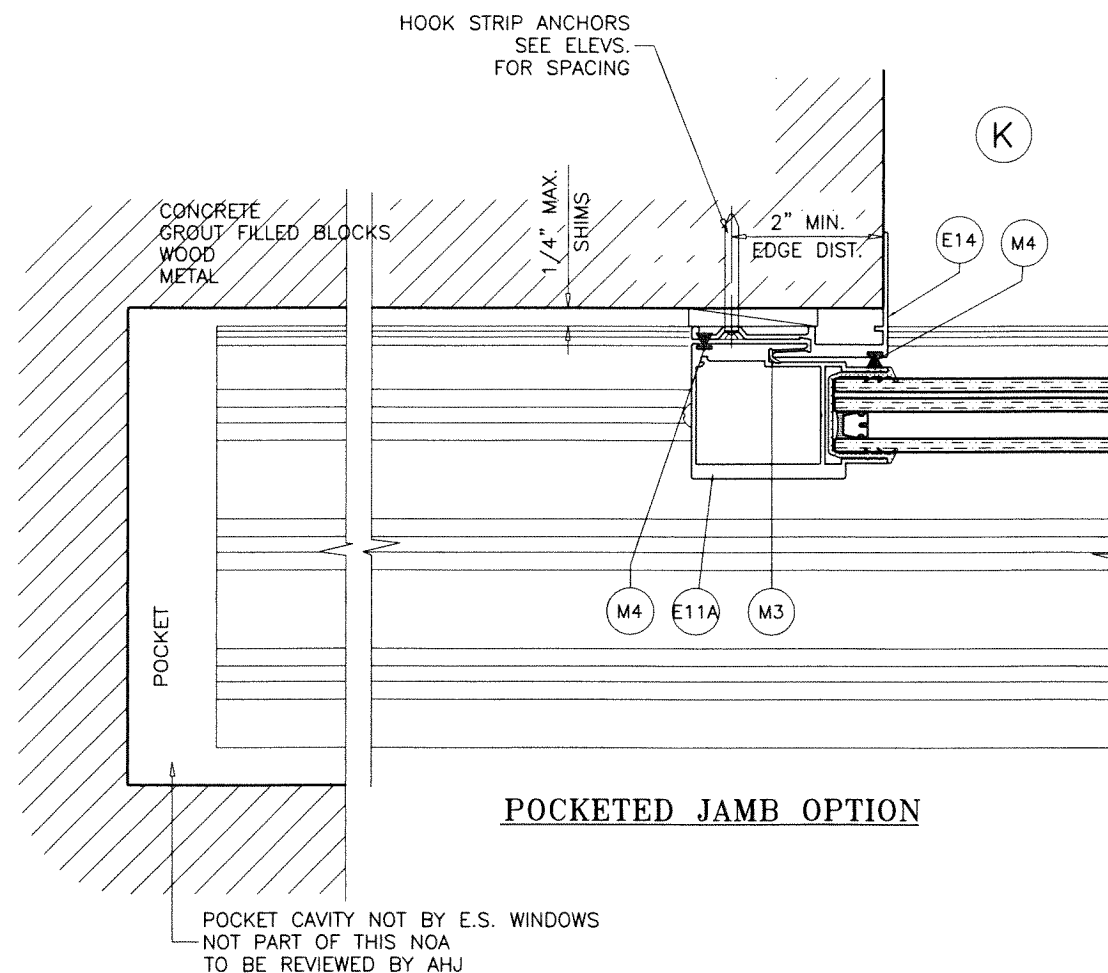
sheet 16 of 23



PRODUCT REVISED
 as complying with the Florida
 Building Code
 NOA-No. 23-0714.12

Expiration Date 07/20/2027

By *Ishaq I. Chanda*
 Miami-Dade Product Control



HOOK STRIP ANCHORS: SEE ELEV. FOR SPACING
1/4" DIA. ULTRACON+ BY 'DEWALT' (Fu=164 KSI, Fy=148 KSI)

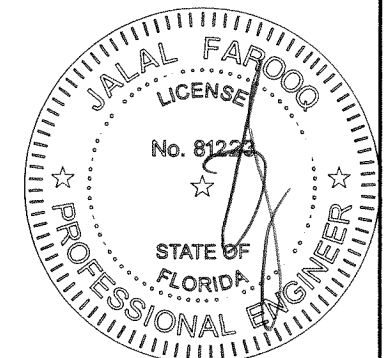
DIRECTLY INTO CONCRETE OR GROUT FILLED BLOCKS
 1-3/4" MIN. EMBED INTO CONCRETE
 1-3/4" MIN. EMBED INTO GROUT FILLED BLOCKS

#14 SMS (GRADE 2 CRS)
 INTO 2BY WOOD BUCKS OR WOOD STRUCTURES
 1-1/2" MIN. PENETRATION INTO WOOD

#14 SMS OR SELF DRILLING SCREWS (GRADE 2 CRS)
 INTO METAL STRUCTURES
 (3) THREADS MIN. PENETRATION BEYOND SUBSTRATE
 ALUMINUM: 5/32" THK. MIN. (6063-T5 MIN.)
 STEEL: 1/8" THK. MIN. (Fy = 36 KSI MIN.)
 (STEEL IN CONTACT WITH ALUMINUM TO BE PLATED OR PAINTED)

TYPICAL EDGE DISTANCE
 INTO CONCRETE AND MASONRY = 2" MIN.
 INTO WOOD STRUCTURE = 1" MIN.
 INTO METAL STRUCTURE = 3/4" MIN.

JUL 07 2023



ES-EL400-10 ALUM SLIDING GLASS DOOR (L.M.I.)

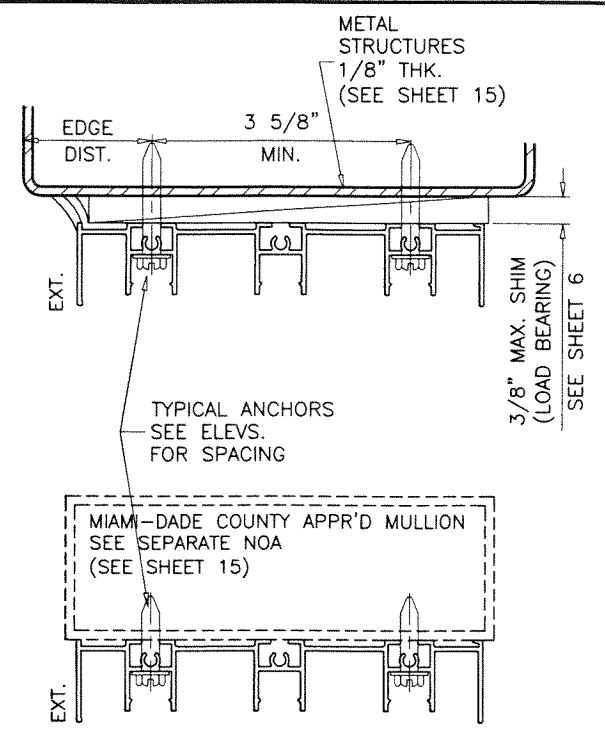
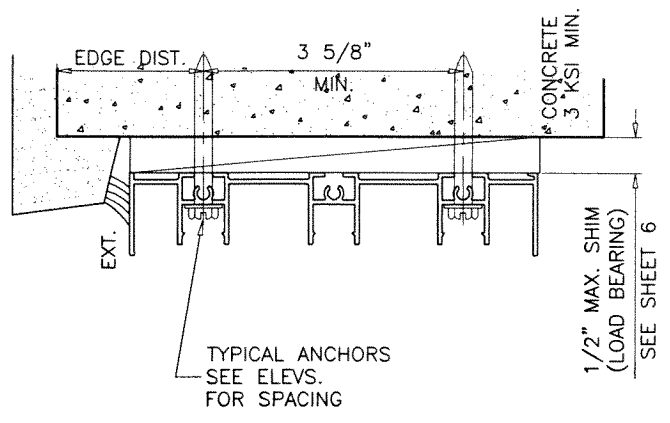
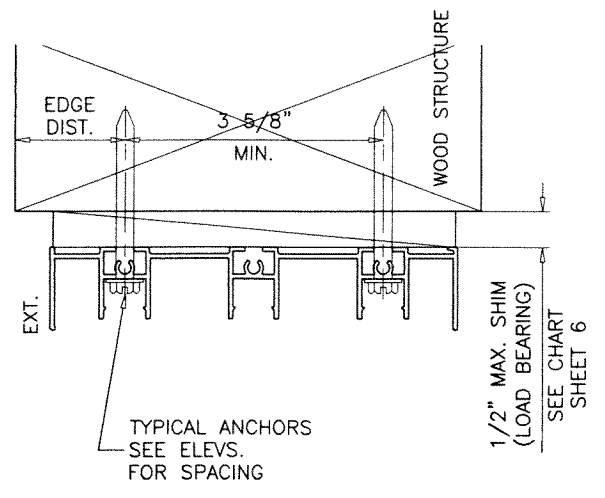
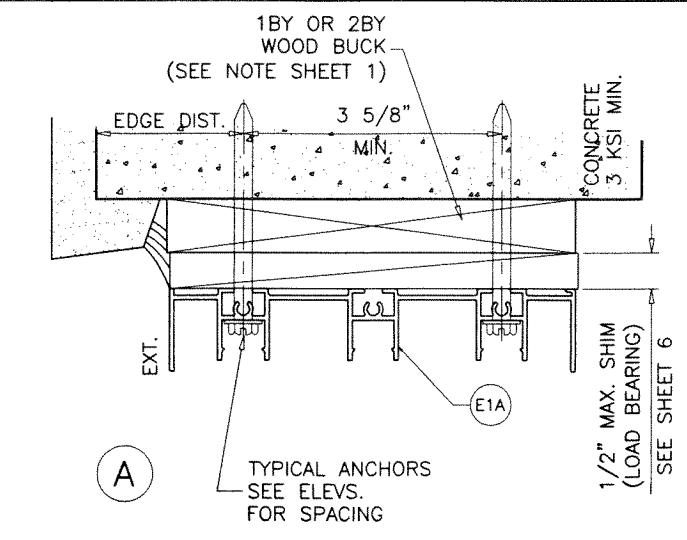
E.S. WINDOWS, LLC
 3550 N.W. 49 STREET
 MIAMI, FL. 33142
 TEL. (305) 638-5151 FAX. (305) 638-5158

no	date	by	description
A	09.02.20		REV. PER COMMENTS
B	06.23.21		NO CHANGE THIS SHEET
C	08.04.21		NO CHANGE THIS SHEET
D	07.06.23		NO CHANGE THIS SHEET

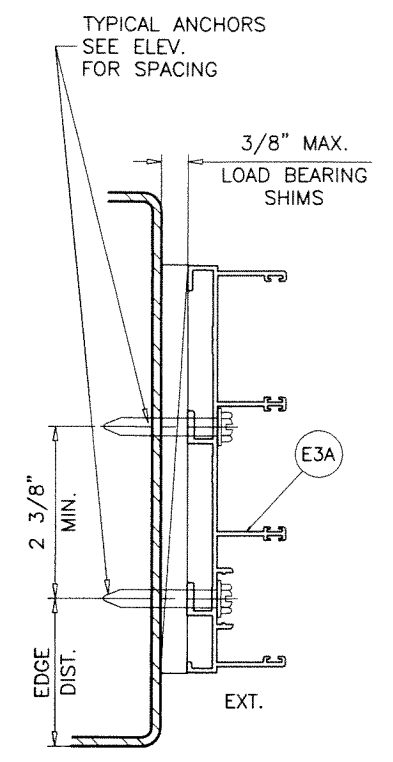
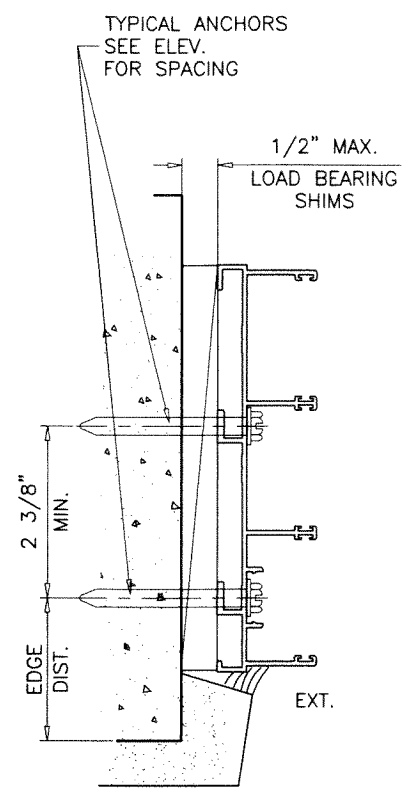
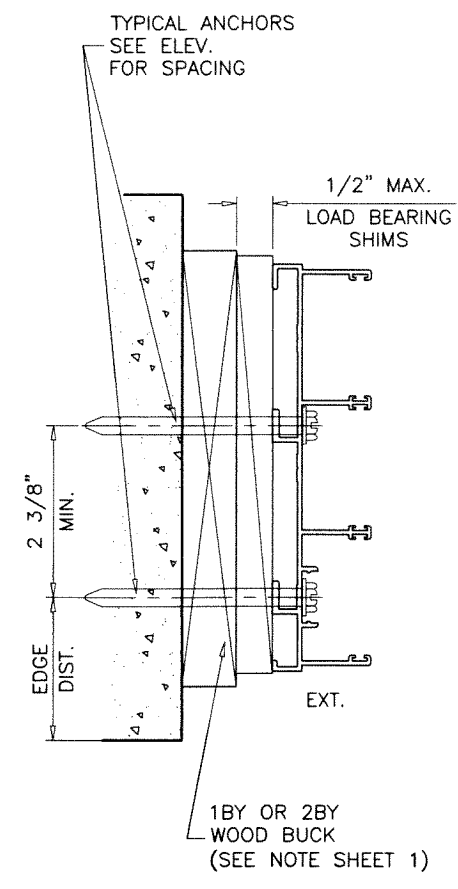
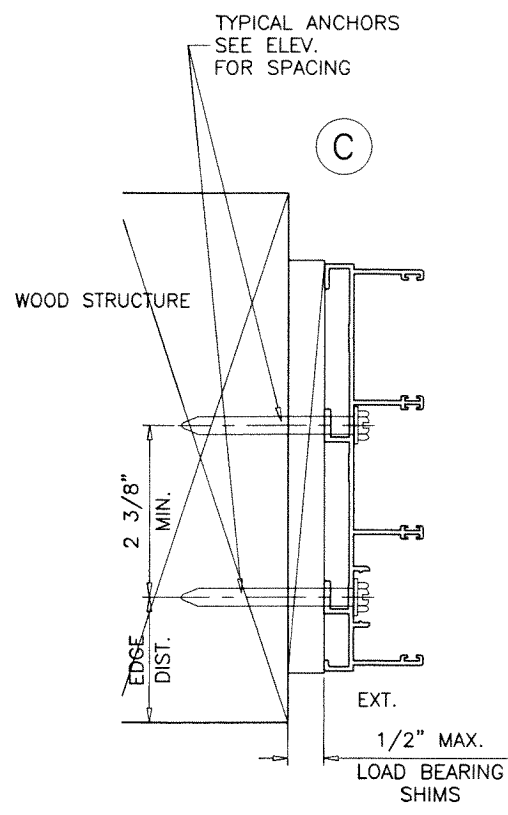
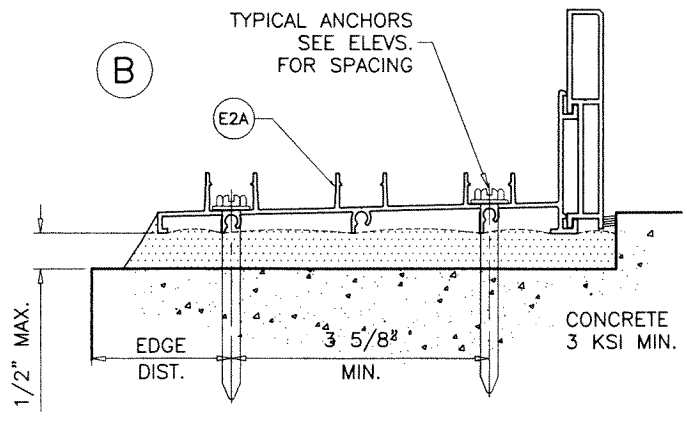
date: 02-14-20
 scale: 3/8" = 1"
 dr. by: TARIQ
 chk. by:

drawing no.
20-12D
 sheet 17 of 23

AL-FAROOQ CORPORATION
 ENGINEERS & PRODUCT DEVELOPMENT
 9360 SUNSET DRIVE, SUITE 220
 MIAMI, FLORIDA 33173
 TEL. (305) 264-8100 FAX. (305) 262-6978
 (C.A.N. 3538)
 COMP-ANL\20-12D-ES

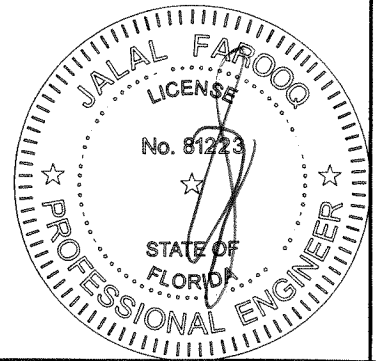


PRODUCT REVISED
 as complying with the Florida
 Building Code
 NOA-No. 23-0714.12
 Expiration Date 07/20/2027
 By *Ishag I. Chank*
 Miami-Dade Product Control



3 TRACK FRAMES
 ANCHOR LOCATIONS

JUL 07 2023



AL-FAROOQ CORPORATION
 ENGINEERS & PRODUCT DEVELOPMENT
 9360 SUNSET DRIVE, SUITE 220
 MIAMI, FLORIDA 33173
 TEL. (305) 264-8100 FAX. (305) 262-6978
 C.A.N. 3538

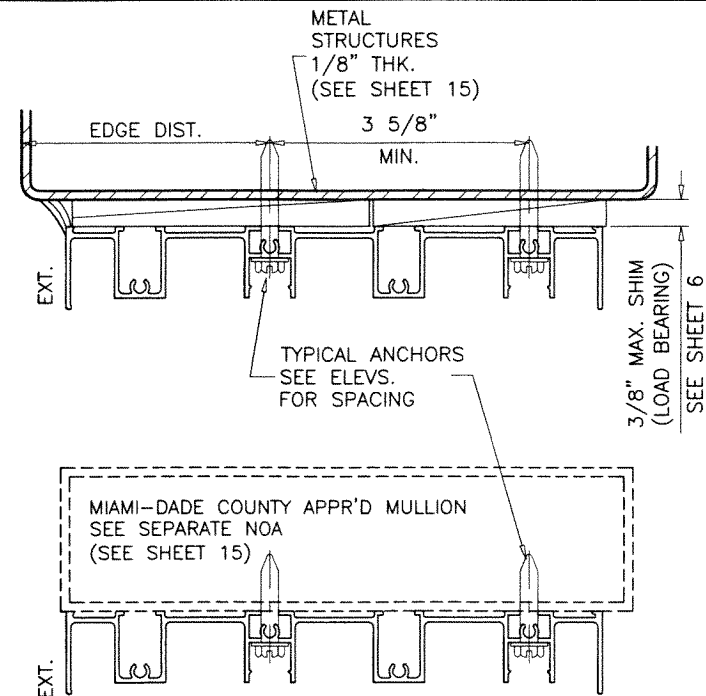
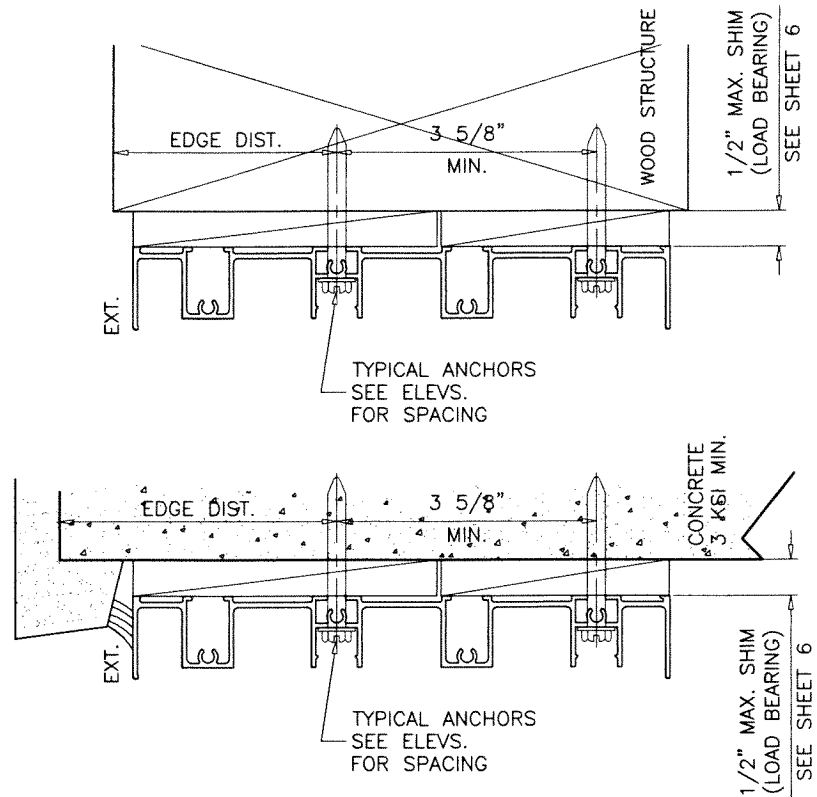
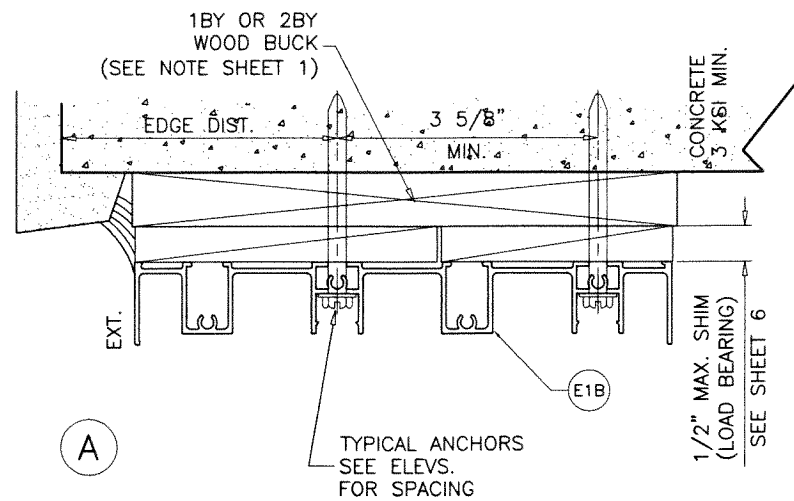
ES-EL400-10 ALUM SLIDING GLASS DOOR (L.M.I.)
E.S. WINDOWS, LLC
 3550 N.W. 49 STREET
 MIAMI, FL. 33142
 TEL. (305) 638-5151 FAX. (305) 638-5158

no.	date	description
A	09.02.20	NO CHANGE THIS SHEET
B	06.23.21	SILL RISER REVISED
C	08.04.21	SILL RISER OPTIONS ADDED
D	07.06.23	NO CHANGE THIS SHEET

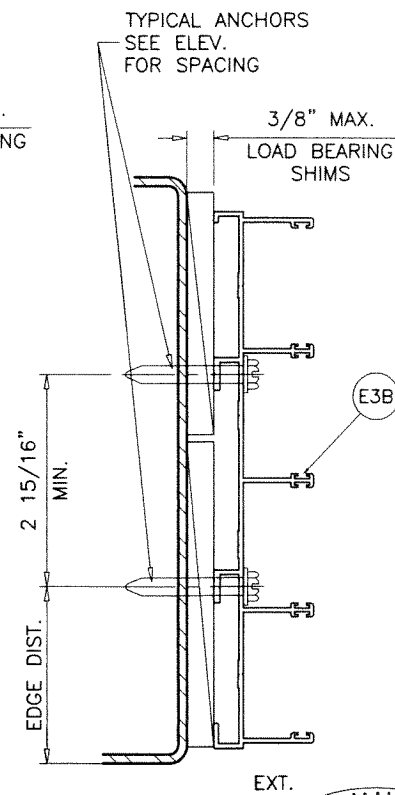
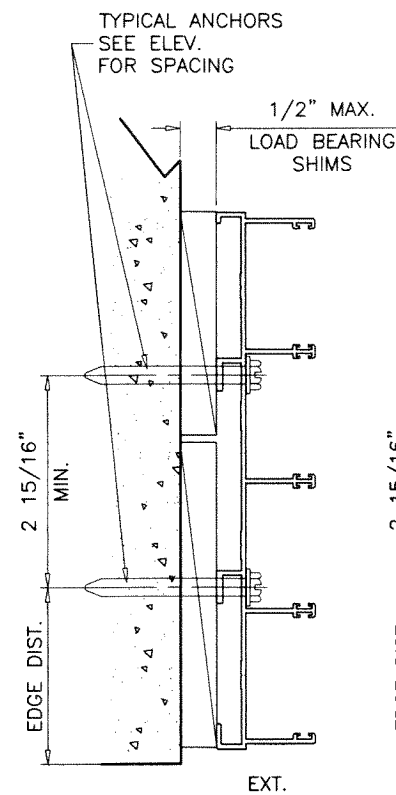
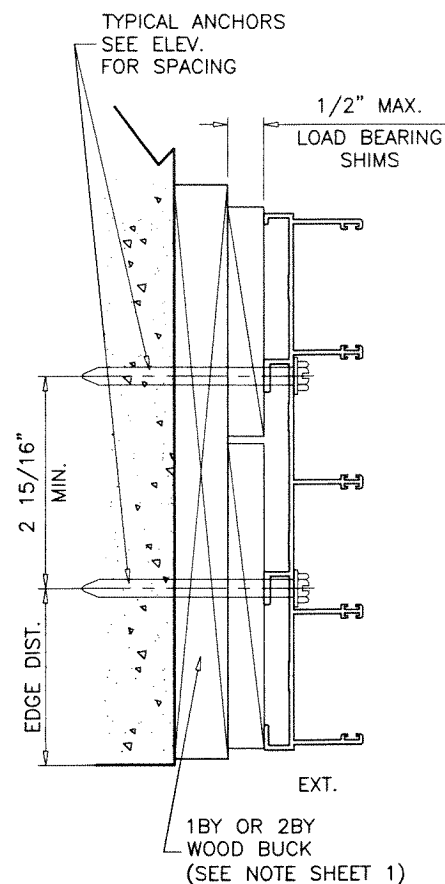
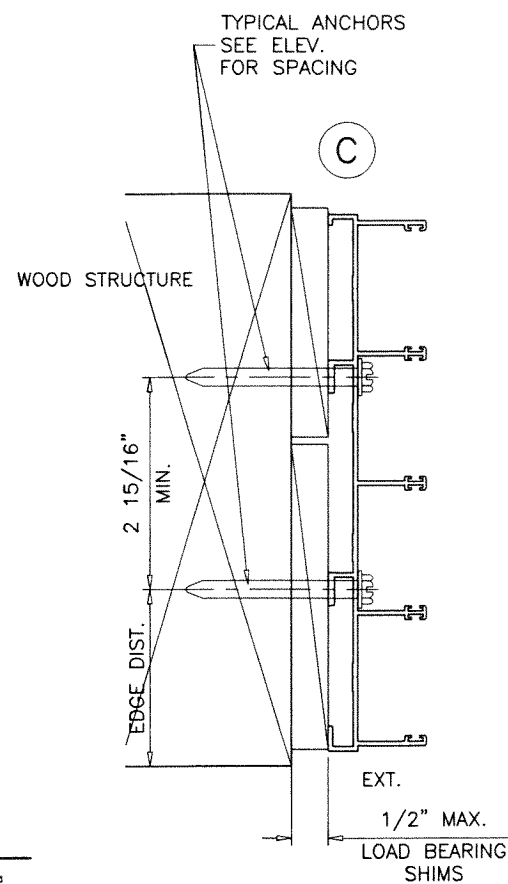
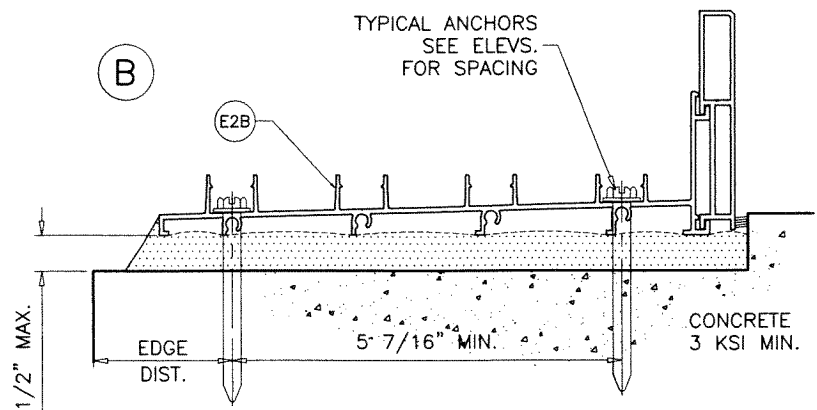
date: 02-14-20
 scale: 3/8" = 1"
 dr. by: TARIO
 chk. by:

drawing no. **20-12D**
 sheet 18 of 23

COMP-ANL\20-12D-ES

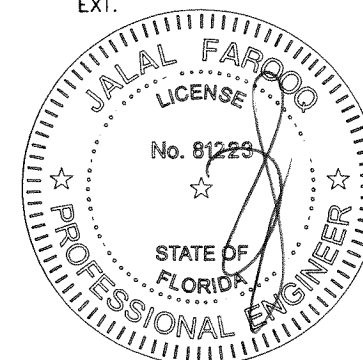


PRODUCT REVISED
 as complying with the Florida
 Building Code
 NOA-No. 23-0714.12
 Expiration Date 07/20/2027
 By *Ishag I. Chande*
 Miami-Dade Product Control



4 TRACK FRAMES
 ANCHOR LOCATIONS

JUL 07 2023



af c
AL-FAROOQ CORPORATION
 ENGINEERS & PRODUCT DEVELOPMENT
 9360 SUNSET DRIVE, SUITE 220
 MIAMI, FLORIDA 33173
 TEL. (305) 264-8100 FAX. (305) 262-6978
 COMP-ANL\20-12D-ES

ES-EL400-10 ALUM SLIDING GLASS DOOR (L.M.I.)
E.S. WINDOWS, LLC
 3550 N.W. 49 STREET
 MIAMI, FL. 33142
 TEL. (305) 638-5151 FAX. (305) 638-5158

no	date	by	description
A	09.02.20		NO CHANGE THIS SHEET
B	06.23.21		SILL RISER REVISED
C	06.04.21		SILL RISER OPTIONS ADDED
D	07.06.23		NO CHANGE THIS SHEET

date:	02-14-20	scale:	3/8" = 1"
dr. by:	TARIQ	chk. by:	
drawing no.	20-12D		
sheet	19 of 23		

ITEM #	PART #	REQD.	DESCRIPTION	MATERIAL	MANF./SUPPLIER/REMARKS
E1	ES-EL400-001	1	FRAME HEAD (2 TRACK)	6063-T6	-
E1A	ES-EL400-201	AS REQD.	FRAME HEAD (3 TRACK)	6063-T6	-
E1B	ES-EL400-205	AS REQD.	FRAME HEAD (4 TRACK)	6063-T6	-
E2	ES-EL400-002	1	FRAME SILL (2 TRACK)	6063-T6	-
E2A	ES-EL400-202	AS REQD.	FRAME SILL (3 TRACK)	6063-T6	-
E2B	ES-EL400-206	AS REQD.	FRAME SILL (4 TRACK)	6063-T6	-
E3	ES-EL400-003	2	FRAME JAMB (2 TRACK)	6063-T6	-
E3A	ES-EL400-203	AS REQD.	FRAME JAMB (3 TRACK)	6063-T6	-
E3B	ES-EL400-207	AS REQD.	FRAME JAMB (4 TRACK)	6063-T6	-
E4	ES-EL400-004	1/ PANEL	TOP RAIL (INSUL. LAM. GLASS)	6063-T6	-
E5	ES-EL400-005	1/ PANEL	BOTTOM RAIL (INSUL. LAM. GLASS)	6063-T6	-
E6	ES-EL400-006	AS REQD.	JAMB STILE (INSUL. LAM. GLASS)	6063-T6	-
E8	ES-EL400-009	1/ PANEL	TOP RAIL (LAM. GLASS)	6063-T6	-
E9	ES-EL400-010	1/ PANEL	BOTTOM RAIL (LAM. GLASS)	6063-T6	-
E10	ES-EL400-011	AS REQD.	JAMB STILE (LAM. GLASS)	6063-T6	-
E11	ES-EL400-030	AS REQD.	INTERLOCK STILE (LAM. GLASS)	6063-T6	-
E11A	ES-EL400-031	AS REQD.	INTERLOCK STILE (INSUL. LAM. GLASS)	6063-T6	-
E12	ES-EL400-028	AS REQD.	ASTRAGAL STILE (LAM. GLASS)	6063-T6	-
E12A	ES-EL400-029	AS REQD.	ASTRAGAL STILE (INSUL. LAM. GLASS)	6063-T6	-
E13	ES-EL400-014	AS REQD.	JAMB COVER	6063-T5	-
E14	ES-EL400-015	AS REQD.	POCKET JAMB	6063-T6	-
E15	ES-EL400-016	AS REQD.	SILL TRACK	6063-T6	-
E16	ES-EL400-017	AS REQD.	HEAD COVER	6063-T5	-
E17A	ES-2020-007	AS REQD.	SILL RISER	6063-T6	-
E17B	ES-2020-041	AS REQD.	ALT. SILL RISER	6063-T6	-
E18	ES-EL400-020	AS REQD.	FIXED PANEL BOTTOM GUIDE	6063-T6	-
E26	ES-6011	AS REQD.	SCREW COVER	6063-T6	-
M1	ES-EL400-G01	4/ PANEL	GLAZING GASKET (LAM. GLASS)	SILICONE	DUROMETER 70±3 SHORE A
M2	ES-EL400-G02	4/ PANEL	GLAZING GASKET (INSUL. LAM. GLASS)	SILICONE	DUROMETER 70±3 SHORE A
M3	ES2020-G04	AS REQD.	INTERLOCK BUMPER	PVC	DUROMETER 60±5 SHORE D
M4	W33271NK	AS REQD.	PILE W'STRIPPING (INTERLOCK)	WOOL	-
M5	W33181NK	AS REQD.	PILE W'STRIPPING	WOOL	-
M6	PS01-0014	AS REQD.	DOOR HANDLE	DIE CAST ALUM	TWO POINT HANDLE
M7	PS01-1015	AS REQD.	STRIKE FOR MORTISE LOCK	ST. STEEL	-
M8	PS01-1036	AS REQD.	MORTISE 2 POINT LOCK	ST. STEEL	-
M9	GT-R34/3-01-A	2/ PANEL	ROLLER ASSEMBLY	ZAMAK	-
M10	6844.1	AS REQD.	BUMPER	ALUM/NYLON	-
M11	ES-EL400-FPI SL	2/ PANEL	FIX. PANEL CLIPS, AT 12" FROM TOP & BOTTOM	6063-T6	-
M12	#8 X 3/4"	AS REQD.	KEEPER FASTENERS	ST. STEEL	P.H. SMS
M13	#10 X 1-1/4"	AS REQD.	PANEL ASSEMBLY FASTENERS	ST. STEEL	P.H. SMS
M14	#10 X 1-1/2"	AS REQD.	FRAME ASSEMBLY FASTENERS	ST. STEEL	P.H. SMS
M15	#6 X 3/8"	AS REQD.	FIX. PANEL CLIP FASTENERS	ST. STEEL	P.H. SMS
M16	#8 X 1/2"	AS REQD.	FIX. PANEL CLIP FASTENERS	ST. STEEL	F.H. SMS
M18	#10 X 1/2"	AS REQD.	ROLLER FASTENERS	ST. STEEL	P.H. SMS
M19	#10 X 1"	AS REQD.	LOCK INSTALLATION FASTENERS	ST. STEEL	F.H. SMS
M20	#8 X 1/2"	AS REQD.	HANDLE INSTALLATION FASTENERS	ST. STEEL	F.H. SMS

PRODUCT REVISED
as complying with the Florida
Building Code
NOA-No. 23-0714.12

Expiration Date 07/20/2027

By Ishtaq I. Chaudhry
Miami-Dade Product Control

LOCK:

SURFACE MOUNT METALLIC HANDLE AT 44" FROM BOTTOM
FASTENED TO LOCK STILE WITH
(2) #8 X 1/2" FH SMS (M20)

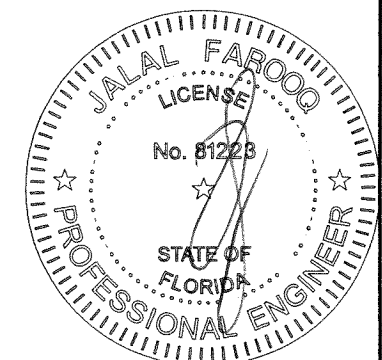
SURFACE MOUNT METALLIC 3 PLY DUAL HOOK LOCK
44" FROM BOTTOM
FASTENED TO LOCK STILE WITH
(2) #10 X 1" FH SMS

SURFACE MOUNT METALLIC KEEPER AT 44" FROM BOTTOM
FASTENED TO FRAME JAMB AND ASTRAGAL STILE WITH
(3) #8 X 3/4" PH SMS (M12)

SEALANT:

ALL JOINTS AND FRAME CONNECTIONS SEALED WITH
WHITE/ALUMINUM COLORED SILICONE.

JUL 07 2023



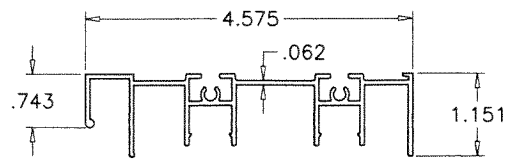
af c
AL-FAROOQ CORPORATION
ENGINEERS & PRODUCT DEVELOPMENT
9360 SUNSET DRIVE, SUITE 220
MIAMI, FLORIDA 33173 (C.A.N. 3538)
TEL. (305) 264-8100 FAX. (305) 262-6978
COMP-ANL\20-12D-ES

ES-EL400-10 ALUM SLIDING GLASS DOOR (L.M.I.)
E.S. WINDOWS, LLC
3550 N.W. 49 STREET
MIAMI, FL. 33142
TEL. (305) 638-5151 FAX. (305) 638-5158

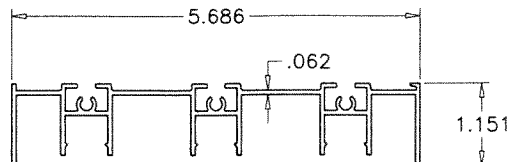
revisions:	no	date	description
	A	09.02.20	REV. PER RER COMMENTS
	B	06.23.21	SILL RISER REVISED
	C	06.04.21	SILL RISER OPTIONS ADDED
	D	07.06.23	NO CHANGE THIS SHEET

date: 02-14-20
scale: 3/8" = 1"
dr. by: TARIQ
chk. by:

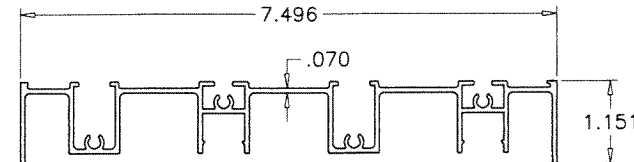
drawing no.
20-12D
sheet 20 of 23



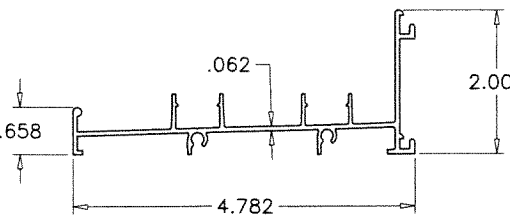
E1 FRAME HEAD (2 TRACK)



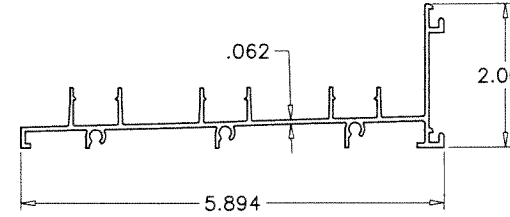
E1A FRAME HEAD (3 TRACK)



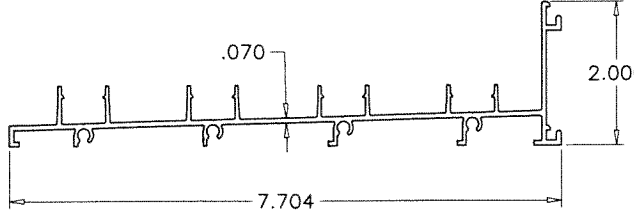
E1B FRAME HEAD (4 TRACK)



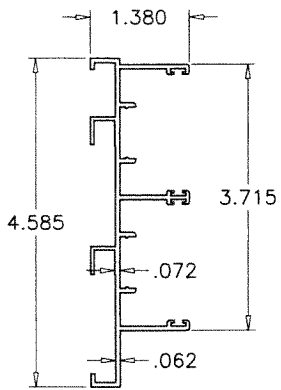
E2 FRAME SILL (2 TRACK)



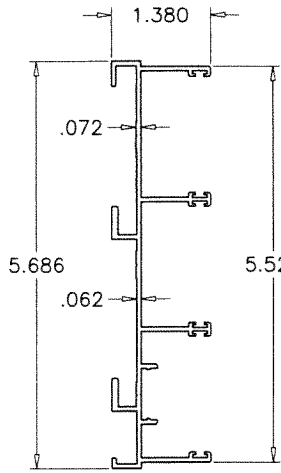
E2A FRAME SILL (3 TRACK)



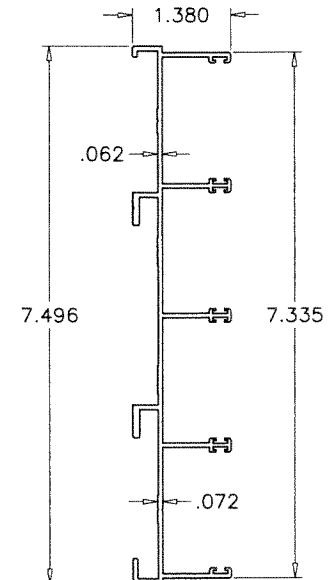
E2B FRAME SILL (4 TRACK)



E3 FRAME JAMB (2 TRACK)

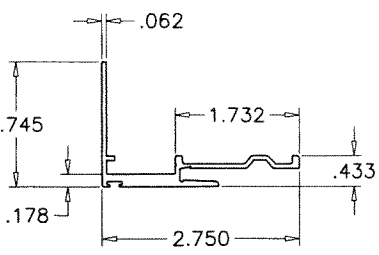


E3A FRAME JAMB (3 TRACK)



E3B FRAME JAMB (4 TRACK)

PRODUCT REVISED
 as complying with the Florida
 Building Code
 NOA-No. 23-0714.12
 Expiration Date 07/20/2027
 By Ishag I. Chank
 Miami-Dade Product Control



E14 POCKET JAMB



AL-FAROOQ CORPORATION
 ENGINEERS & PRODUCT DEVELOPMENT
 9360 SUNSET DRIVE, SUITE 220
 MIAMI, FLORIDA 33173 (C.A.N. 3538)
 TEL. (305) 264-8100 FAX. (305) 262-9978

ES-EL400-10 ALUM SLIDING GLASS DOOR (L.M.I.)

E.S. WINDOWS, LLC
 3550 N.W. 49 STREET
 MIAMI, FL. 33142
 TEL. (305) 638-5151 FAX. (305) 638-5158

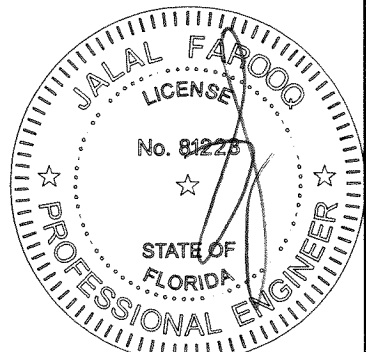
no	date	description	by
A	09.02.20	NO CHANGE THIS SHEET	
B	06.23.21	NO CHANGE THIS SHEET	
C	08.04.21	NO CHANGE THIS SHEET	
D	07.06.23	NO CHANGE THIS SHEET	

date: 02-14-20
 scale: 3/8" = 1"
 dr. by: TARIQ
 chk. by:

drawing no.

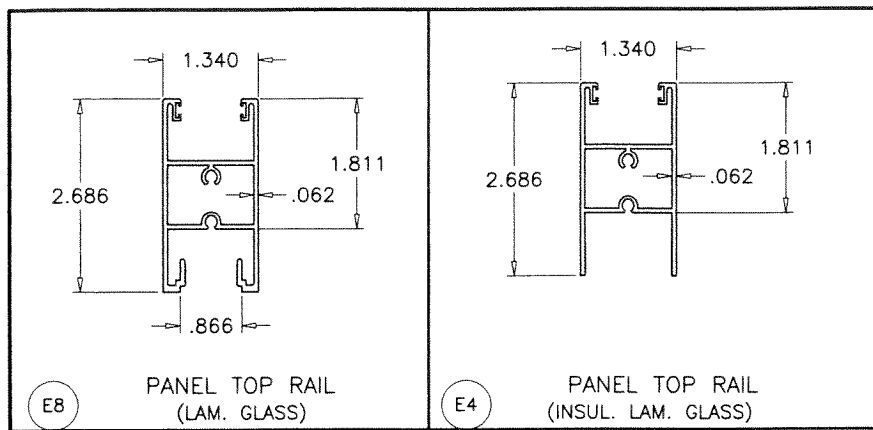
20-12D

sheet 21 of 23

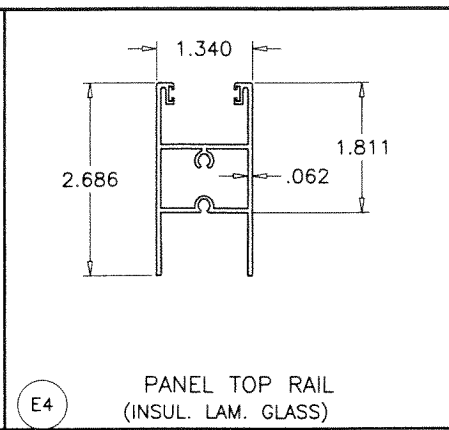


JUL 07 2023

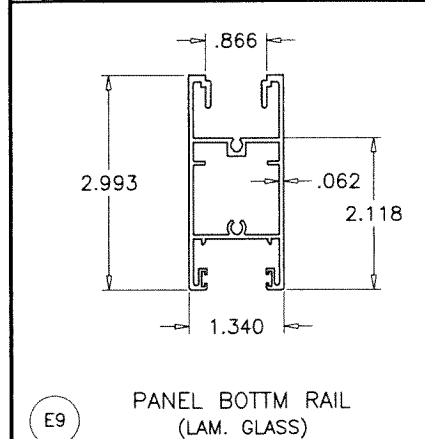
COMP-ANL\20-12D-ES



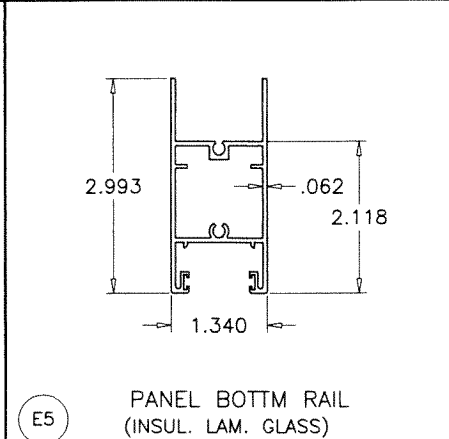
E8 PANEL TOP RAIL (LAM. GLASS)



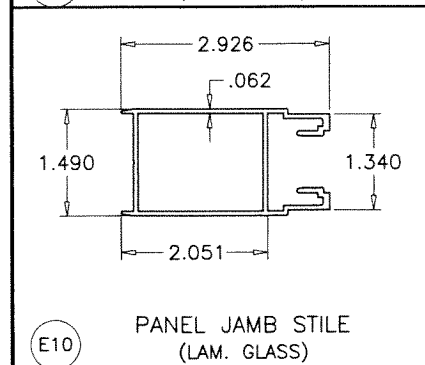
E4 PANEL TOP RAIL (INSUL. LAM. GLASS)



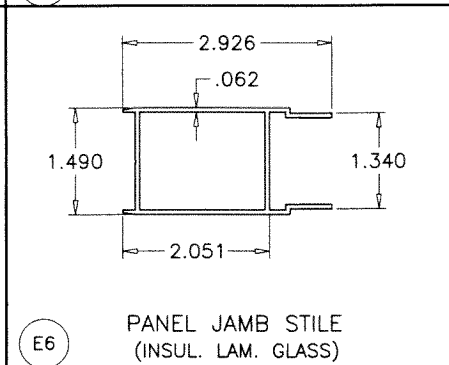
E9 PANEL BOTTM RAIL (LAM. GLASS)



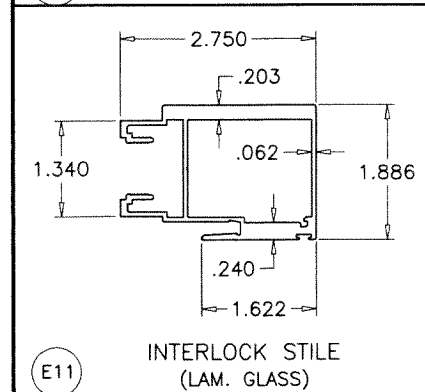
E5 PANEL BOTTM RAIL (INSUL. LAM. GLASS)



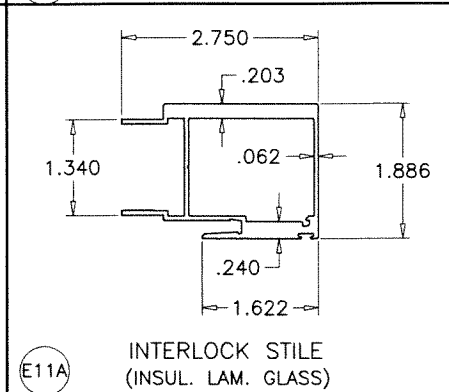
E10 PANEL JAMB STILE (LAM. GLASS)



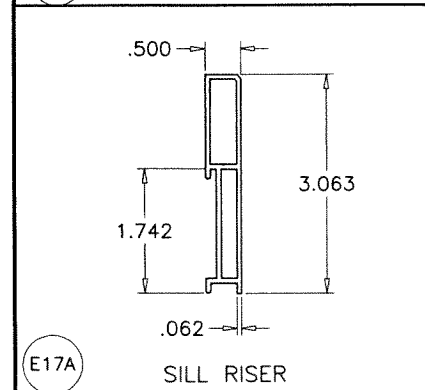
E6 PANEL JAMB STILE (INSUL. LAM. GLASS)



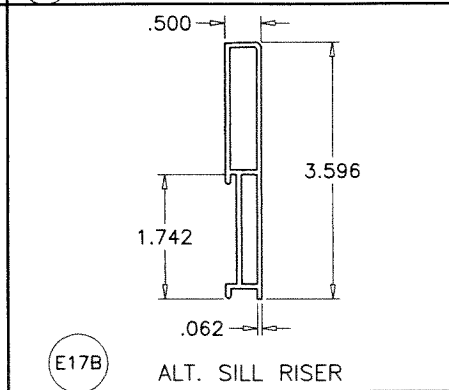
E11 INTERLOCK STILE (LAM. GLASS)



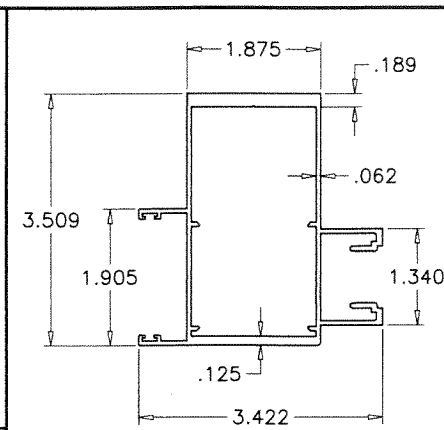
E11A INTERLOCK STILE (INSUL. LAM. GLASS)



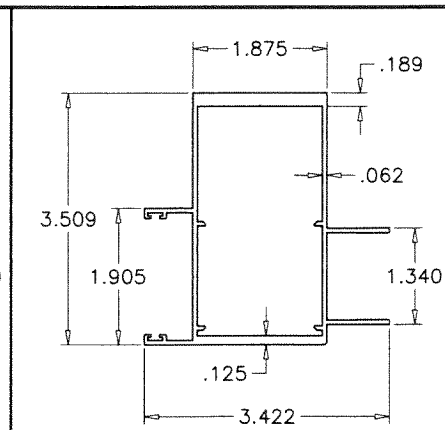
E17A SILL RISER



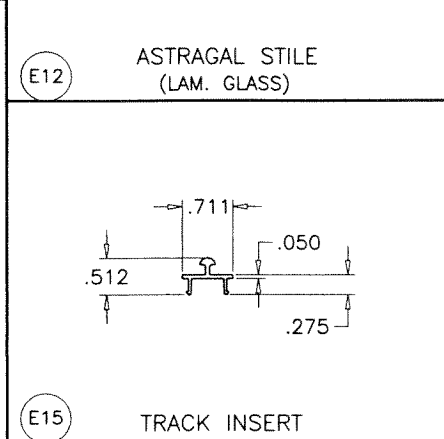
E17B ALT. SILL RISER



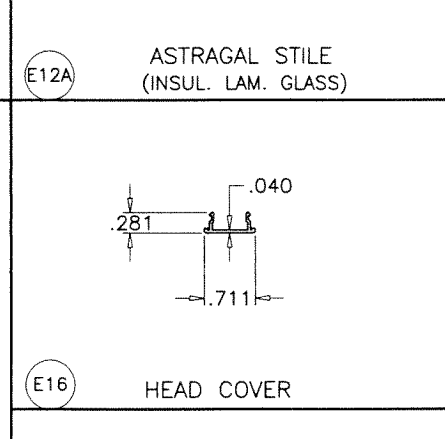
E12 ASTRAGAL STILE (LAM. GLASS)



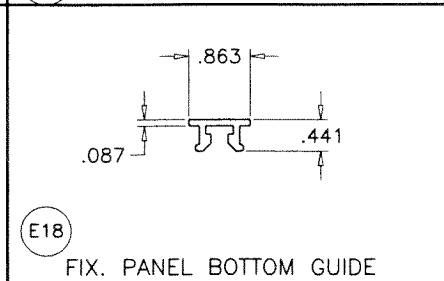
E12A ASTRAGAL STILE (INSUL. LAM. GLASS)



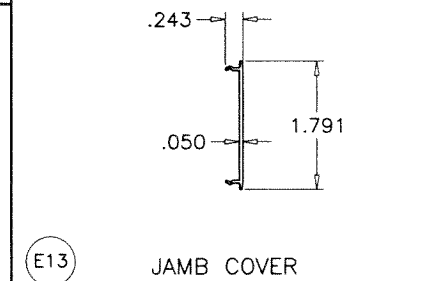
E15 TRACK INSERT



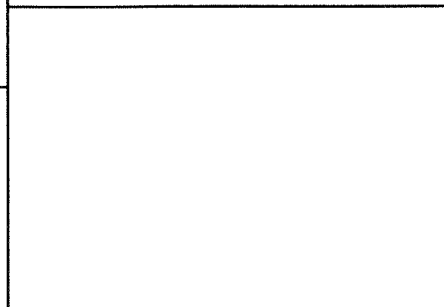
E16 HEAD COVER



E18 FIX. PANEL BOTTOM GUIDE



E13 JAMB COVER



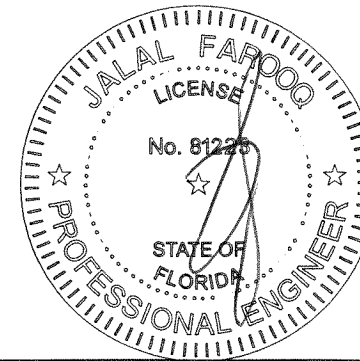
E26 SCREW COVER

M1 GLAZING GAKET LAM. GLASS

M2 GLAZING GASKET INSUL. LAM. GLASS

MATERIAL = SILICONE
 HARDNESS = 70±3
 TENSILE STRENGTH = 1139 PSI
 ELONGATION AT BREAK = 235%
 TEAR STRENGTH = 107 Lb/IN
 BRITTLENESS TEMPERATURE = -40° F
 COMPRESSION SET = 12.5% (22h@212°F)

PRODUCT REVISED
 as complying with the Florida
 Building Code
 NOA-No. 23-0714.12
 Expiration Date 07/20/2027
 By *Ishag I. Chank*
 Miami-Dade Product Control



JUL 07 2023

AL-FAROOQ CORPORATION
 ENGINEERS & PRODUCT DEVELOPMENT
 9360 SUNSET DRIVE, SUITE 220
 MIAMI, FLORIDA 33173
 TEL. (305) 264-8100 FAX. (305) 262-6978
 COMP-ANL\20-12D-ES

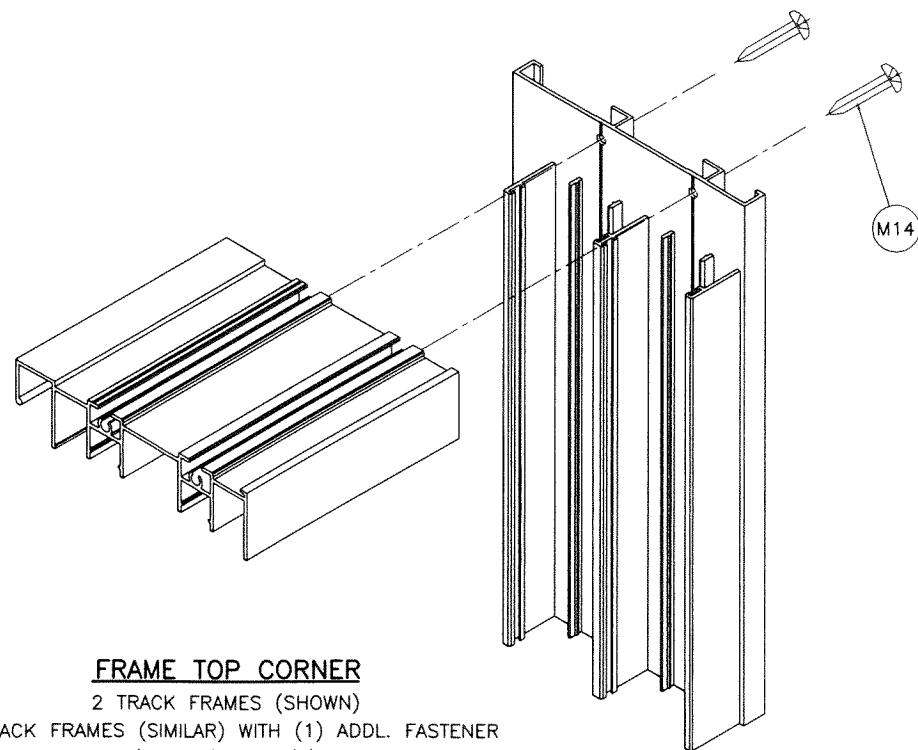
E.S. WINDOWS, LLC
 3550 N.W. 49 STREET
 MIAMI, FL. 33142
 TEL. (305) 638-5151 FAX. (305) 638-5158

ES-EL400-10 ALUM SLIDING GLASS DOOR (L.M.I.)

no	date	description	by
A	09.02.20	NO CHANGE THIS SHEET	
B	06.23.21	SILL RISER REVISED	
C	08.04.21	SILL RISER OPTIONS ADDED	
D	07.06.23	NO CHANGE THIS SHEET	

date: 02-14-20
 scale: 3/8" = 1"
 dr. by: TARIO
 chk. by:

drawing no. 20-12D
 sheet 22 of 23



FRAME TOP CORNER

2 TRACK FRAMES (SHOWN)

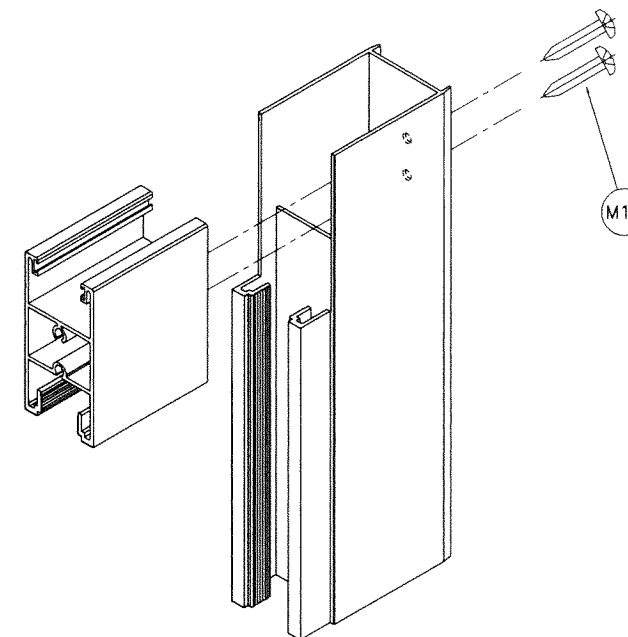
3 TRACK FRAMES (SIMILAR) WITH (1) ADDL. FASTENER
 4 TRACK FRAMES (SIMILAR) WITH (2) ADDL. FASTENERS

PRODUCT REVISED
 as complying with the Florida
 Building Code

NOA-No. 23-0714.12

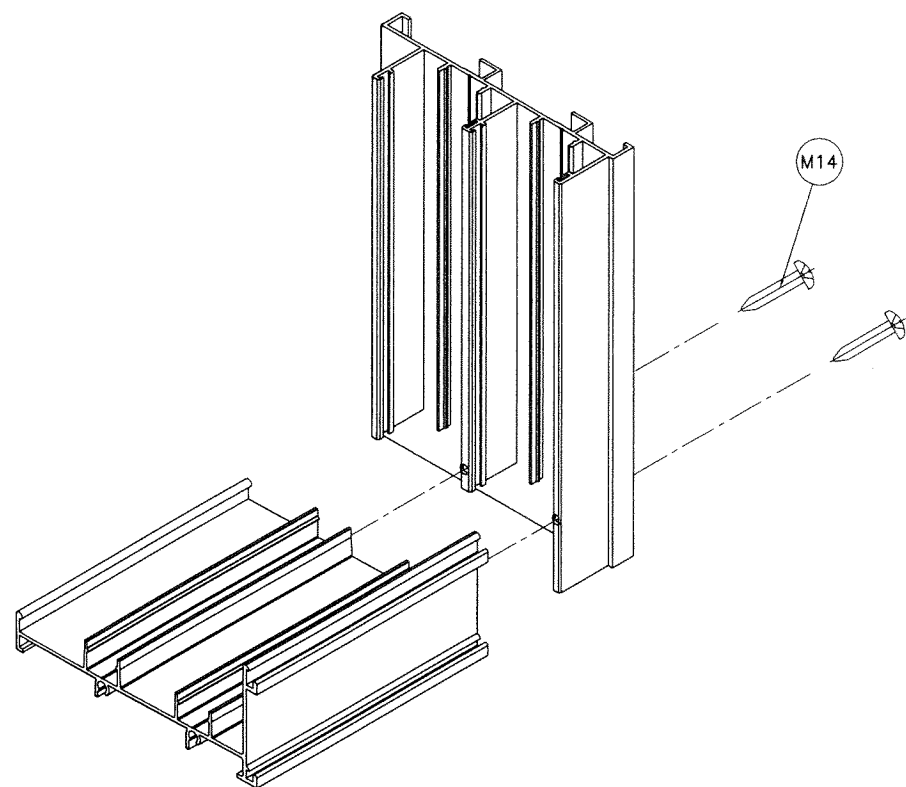
Expiration Date 07/20/2027

By Ishaq I. Chanda
 Miami-Dade Product Control



PANEL TOP/BOTTOM CORNER

LAM. GLASS RAIL & STILE (SHOWN)
 INSUL. LAM. GLASS RAIL & STILE (SIMILAR)

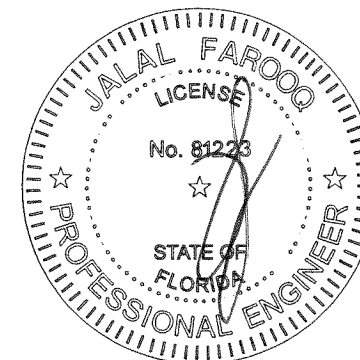


FRAME BOTTOM CORNER

2 TRACK FRAMES (SHOWN)

3 TRACK FRAMES (SIMILAR) WITH (1) ADDL. FASTENER
 4 TRACK FRAMES (SIMILAR) WITH (2) ADDL. FASTENERS

JUL 07 2023



af c
AL-FAROOQ CORPORATION
 ENGINEERS & PRODUCT DEVELOPMENT
 9360 SUNSET DRIVE, SUITE 220 (C.A.N. 3538)
 MIAMI, FLORIDA 33173
 TEL. (305) 264-8100 FAX. (305) 262-6978
 COMP-ANL\20-12D-ES

ES-EL400-10 ALUM SLIDING GLASS DOOR (L.M.I.)

E.S. WINDOWS, LLC
 3550 N.W. 49 STREET
 MIAMI, FL. 33142
 TEL. (305) 638-5151 FAX. (305) 638-5158

no	date	by	description
A	10.02.20		NO CHANGE THIS SHEET
B	06.23.21		NO CHANGE THIS SHEET
C	08.04.21		NO CHANGE THIS SHEET
D	07.06.23		NO CHANGE THIS SHEET

date: 02-14-20
 scale: 3/8" = 1"
 dr. by: TARIO
 chk. by:

drawing no.
20-12D

sheet 23 of 23