

imagine  
extraordinary



ES | Series 88

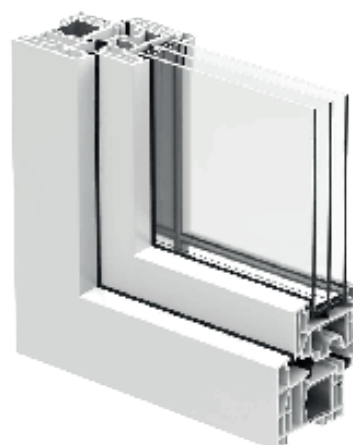
# ES-V88

## Swing/Tilt & Turn/Fixed

Our uPVC Series 88 line aligns with **Passive House standards** for reduced energy use and better building design, ensuring significant energy savings, carbon reduction, and healthier, more comfortable living and working spaces.



**Fixed**



**Tilt & Turn**

### Performance & Highlights

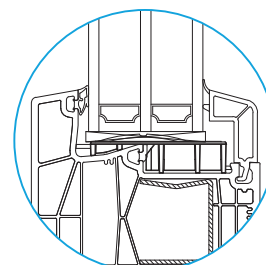
Glass	STC	OTC
Double pane insulating Glass	33-38	32-34
Triple pane insulating Glass		

### Glass Technical Data

NFRC	
U-Factor	12-13
SHGC	12-18

See coatings: [www.tecnoglass.com](http://www.tecnoglass.com)

### Double Insulated Glass



1/4" Clear glass + 9/16" 90% Argon spacer  
 + 1/4" Clear glass + 9/16" 90% Argon spacer +  
 1/4" Clear glass.

### Configurations Technical Data

	FIXED	TILT & TURN
Water Testing	15 PSF.	15 PSF.
DP Rating	PG 40	PG 60
Max Sizes	59" X 120"	59" X 98 1/2"
OITC	32	34
STC	38	

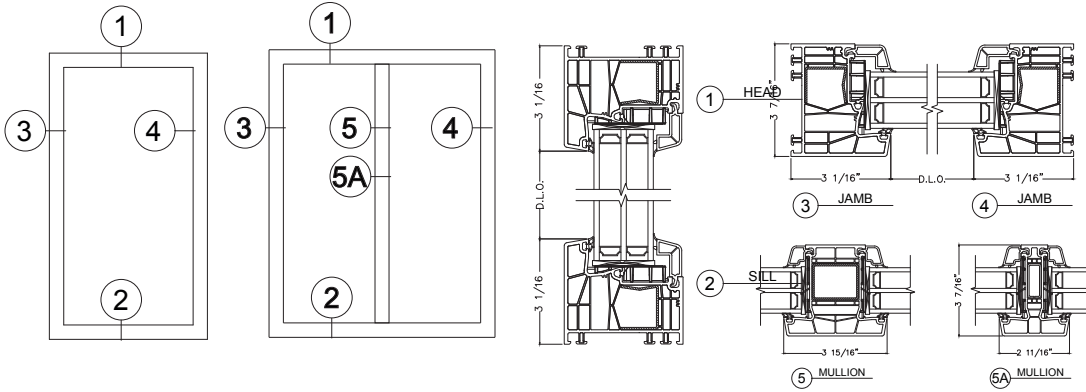
Learn more



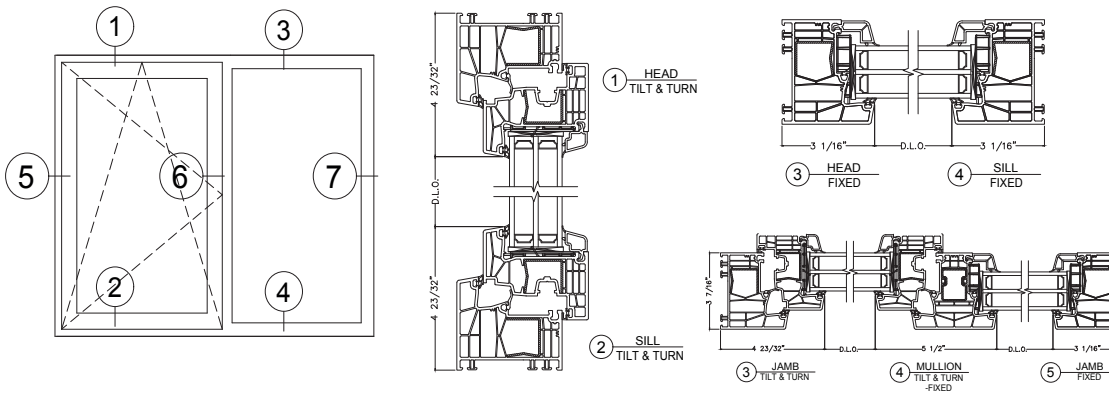
# Modern Living Perfectly Engineered

## Details & Configurations

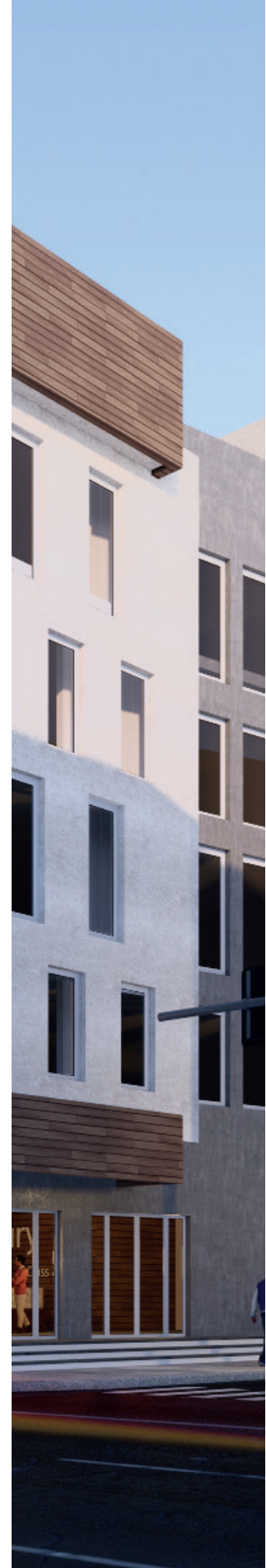
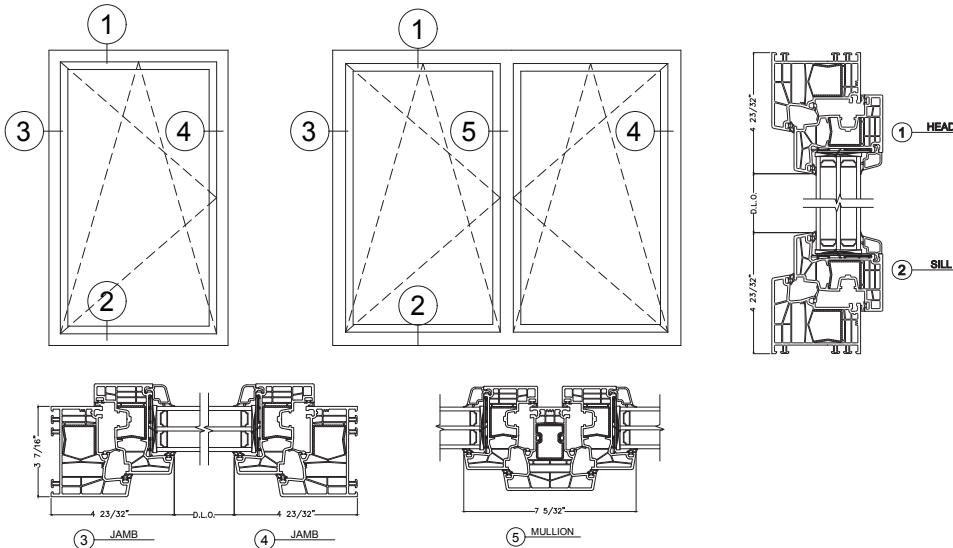
### Fixed Configuration



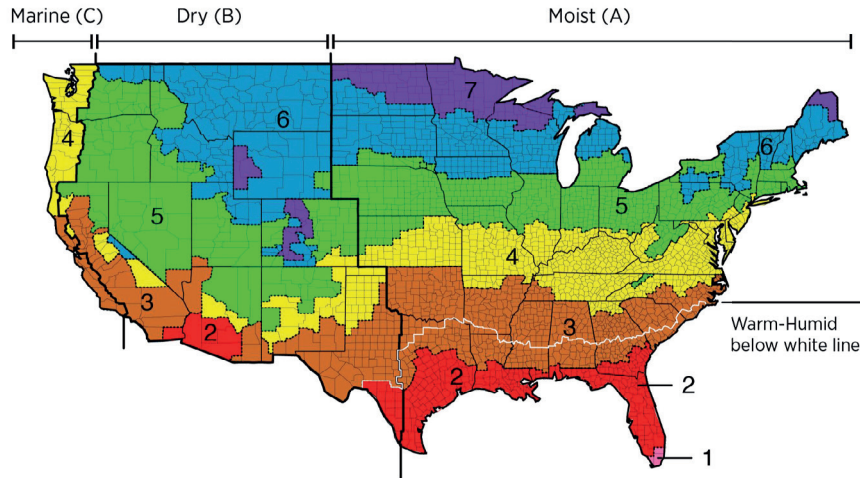
### Tilt & Turn Configuration



### Double Tilt & Turn Configuration



# Passive House Performance



WINDOWS																			
Phius	Glazing Name	ES Product	Operable	Climate Zone Recommendations at Standard Model Site												Data Sheet PDF			
				0	1	2	3A	3B	3C	4A	4B	4C	5A	5B	5C		6	7	8
W-101798	Solarban 60 on 6 mm Clear/14.2 mm 90% Argon/6 mm Clear/14.2 mm 90% Argon/Solarban 60 on 6 mm Clear	ES-V88	Operable	Red	Red	Red	Orange	Orange	Orange	Yellow	Yellow	Yellow	Green	Green	Green				
W-101740	Solarban 70 on 6 mm Clear/14.2 mm 90% Argon/Solarban 70 on 6 mm Clear/14.2 mm 90% Argon/Sungate® 400 on Clear 6mm			Red	Red	Red	Orange	Orange	Orange	Yellow	Yellow	Yellow	Green	Green	Green				
W-101735	Solarban 60 on 6 mm Clear/14.2 mm 90% Argon/6 mm Clear/14.2 mm 90% Argon/Solarban 60 on 6 mm Clear		Fixed	Red	Red	Red	Orange	Orange	Orange	Yellow	Yellow	Yellow	Green	Green	Green				
W-101737	Solarban 70 on 6 mm Clear/14.2 mm 90% Argon/6 mm Clear/14.2 mm 90% Argon/Sungate® 400 on Clear 6mm			Red	Red	Red	Orange	Orange	Orange	Yellow	Yellow	Yellow	Green	Green	Green				

Phius Certified Windows and Doors

## Colors & Finishes

### Standard color

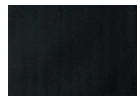


White

### Hardware Colors



Bronze



Black

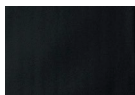


White

### Custom Colors & Laminate Foils



Anthracite Grey Smooth 2



Black Smooth 2



Ceylon Smooth



Flemish Gold Smooth



Golden Oak



Trompet Smooth

The information contained herein is exclusive property of ES, who reserves the right to modify it, including but not limited to the designs and its specifications, without notice. ©2025 ES. All rights reserved. V-Jan 2025